



US00D937781S

(12) **United States Design Patent**
Chen

(10) **Patent No.:** **US D937,781 S**

(45) **Date of Patent:** **** Dec. 7, 2021**

(54) **SMART PLUG**

(71) Applicant: **Cai Chen**, Guangdong (CN)

(72) Inventor: **Cai Chen**, Guangdong (CN)

(73) Assignee: **Shenzhen Cuco Smart Technology Co., Ltd**, Guangdong (CN)

(**) Term: **15 Years**

(21) Appl. No.: **29/635,100**

(22) Filed: **Jan. 27, 2018**

(51) **LOC (13) Cl.** **13-03**

(52) **U.S. Cl.**
USPC **D13/137.2**

(58) **Field of Classification Search**

USPC D13/103, 107, 108, 110, 118, 119, 123,
D13/133, 137.1–137.4, 138.1–138.2,
D13/139.1–139.8, 152–154, 184, 199,
D13/137.1–137.3

CPC H01R 25/00; H01R 25/006; H01R 13/00;
H01R 13/04; H01R 13/10; H01R
13/6666; H01R 13/6675; H01R 9/00;
H01R 11/00; H01H 2207/00; H01H
2207/022; H01H 2203/00; H02J 7/00;
H02J 7/0003; H02J 7/0011; H02J 7/0013;
H02J 7/0054; H02J 7/0055; H02J 7/0057;
H01M 2/02; H01M 2/022; H01M 2/0202;
H01M 2/0207; H01M 2/0212; H01M
2220/10; H01M 2220/20; Y02E 60/12;
Y02E 60/122; Y02E 60/124; Y02E 60/50
See application file for complete search history.

(56) **References Cited**

U.S. PATENT DOCUMENTS

D547,271 S * 7/2007 Ng D13/137.1
D623,595 S * 9/2010 Ruffner D13/110
D657,314 S * 4/2012 Ruffner D13/139.1
D665,354 S * 8/2012 Chen D13/138.1

D680,953 S * 4/2013 Kuo D13/137.2
D687,375 S * 8/2013 Franco D13/108
D750,022 S * 2/2016 Lin D13/137.2
D751,038 S * 3/2016 Lin D13/137.2
D755,127 S * 5/2016 Wong D13/137.2
D756,303 S * 5/2016 Kellenberger D13/137.1
D758,312 S * 6/2016 Lin D13/137.2
D763,795 S * 8/2016 Xu D13/137.1
D763,796 S * 8/2016 Xu D13/137.1
D775,588 S * 1/2017 Xu D13/137.2
D788,709 S * 6/2017 Yeo D13/137.2
D791,076 S * 7/2017 Kim D13/108
D799,422 S * 10/2017 Chen D13/108
D804,412 S * 12/2017 Huang D13/108

(Continued)

OTHER PUBLICATIONS

Amazon.com: Avatar Controls Smart Plug. Date First Available on Amazon.com of Aug. 1, 2017. Retrieved from the internet at <<https://www.amazon.com/dp/B078HQKNM6/>>, Sep. 16, 2019. 1 page. (Year: 2017).*

(Continued)

Primary Examiner — Christy Nemeth

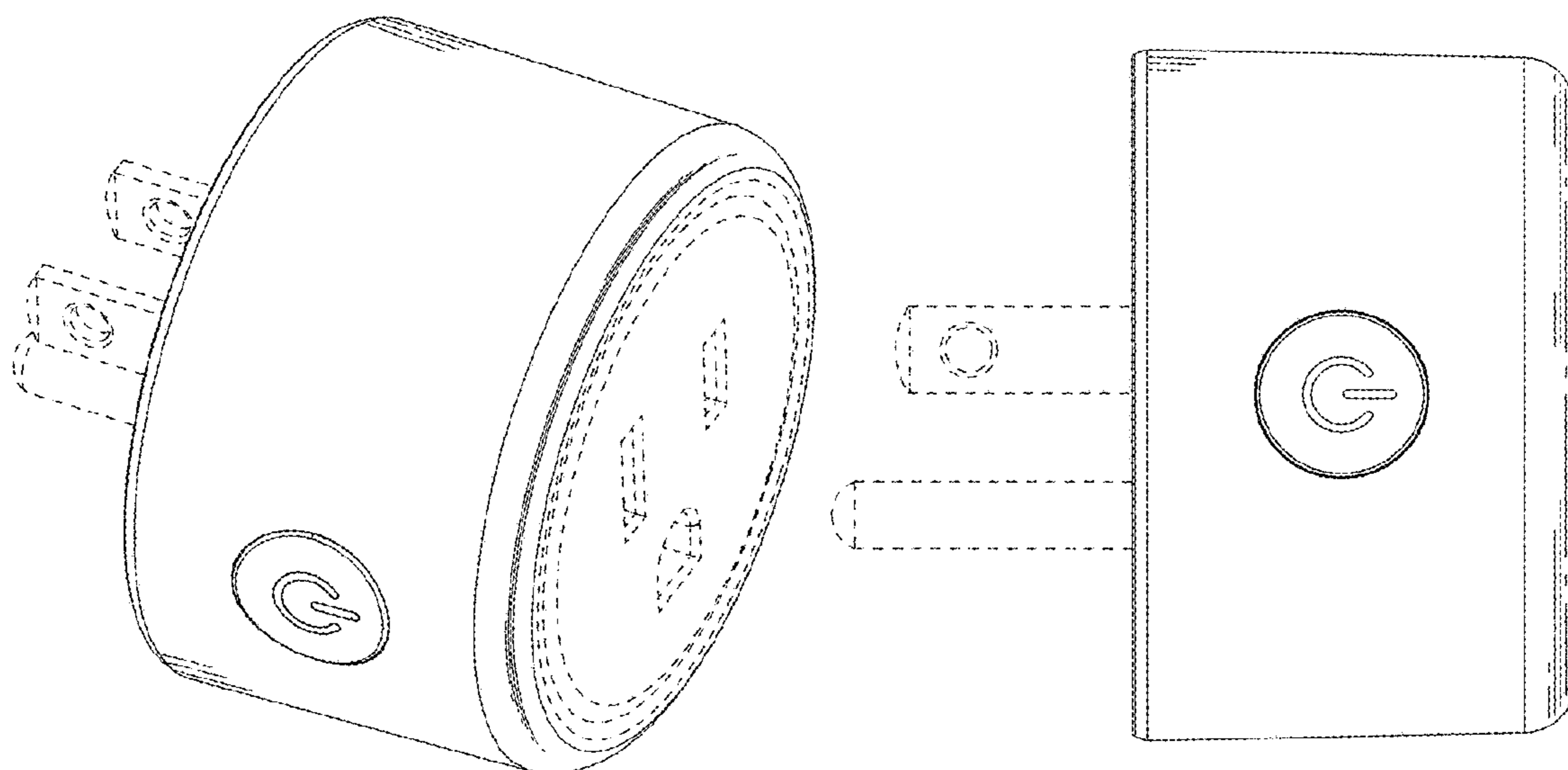
(57) **CLAIM**

The ornamental design for a smart plug, as shown and described.

DESCRIPTION

FIG. 1 is a perspective view of a smart plug showing my new design;
FIG. 2 is a front elevational view thereof;
FIG. 3 is a rear elevational view thereof;
FIG. 4 is a left side elevational view thereof;
FIG. 5 is a right side elevational view thereof;
FIG. 6 is a top plan view thereof; and,
FIG. 7 is a bottom plan view thereof.
The broken lines in the drawings depict portions of the smart plug that form no part of the claimed design.

1 Claim, 7 Drawing Sheets



(56)

References Cited

U.S. PATENT DOCUMENTS

D807,295 S * 1/2018 Xu D13/137.2
 D808,903 S * 1/2018 Koenig D13/110
 D816,614 S * 5/2018 An D13/137.1
 D819,570 S * 6/2018 Zhong D13/137.1
 D820,212 S * 6/2018 Stern D13/137.2
 D825,458 S * 8/2018 Nauroy D13/108
 D826,159 S * 8/2018 Tao D13/137.2
 D826,162 S * 8/2018 Byrne D13/139.7
 D826,858 S * 8/2018 Little D13/137.2
 D826,859 S * 8/2018 Little D13/137.2
 D829,663 S * 10/2018 Liu D13/137.2
 D830,307 S * 10/2018 Liu D13/137.2
 D832,215 S * 10/2018 Xu D13/137.2
 D835,042 S * 12/2018 Qiu D13/137.2
 D835,043 S * 12/2018 Liao D13/137.3
 D836,542 S * 12/2018 Xu D13/107
 D836,555 S * 12/2018 Xu D13/137.2
 D838,245 S * 1/2019 Lin D13/137.2
 D842,804 S * 3/2019 Tong D13/108
 D843,943 S * 3/2019 Yang D13/137.2
 D845,900 S * 4/2019 Liu D13/137.2
 D848,947 S * 5/2019 Liu D13/137.2

D848,948 S * 5/2019 Wei D13/137.2
 D849,687 S * 5/2019 Dai D13/137.2
 D851,035 S * 6/2019 Hong D13/108
 D851,597 S * 6/2019 Ding D13/137.2
 D852,132 S * 6/2019 Nauroy D13/108
 D852,138 S * 6/2019 Wen D13/137.1
 D852,139 S * 6/2019 Wen D13/137.1
 D852,140 S * 6/2019 Chen D13/137.2
 D855,571 S * 8/2019 Zeng D13/137.2
 D856,933 S * 8/2019 Lin D13/137.2
 D856,934 S * 8/2019 Levy D13/137.2

OTHER PUBLICATIONS

Amazon.com: Gosund Mini Smart Plug Outlet. Date First Available on Amazon.com of Jun. 21, 2017. Retrieved from the internet at <<https://www.amazon.com/dp/B072ZX8RTZ/>>, Sep. 16, 2019. 1 page. (Year: 2017).*

Amazon.com: Martin Jerry mini Smart Plug. Date First Available on Amazon.com of May 18, 2017. Retrieved from the internet at <<https://www.amazon.com/MartinJerry-Compatible-Devices-required-installation/dp/B071Z94F4F/>>, Sep. 16, 2019. 1 page. (Year: 2017).*

* cited by examiner

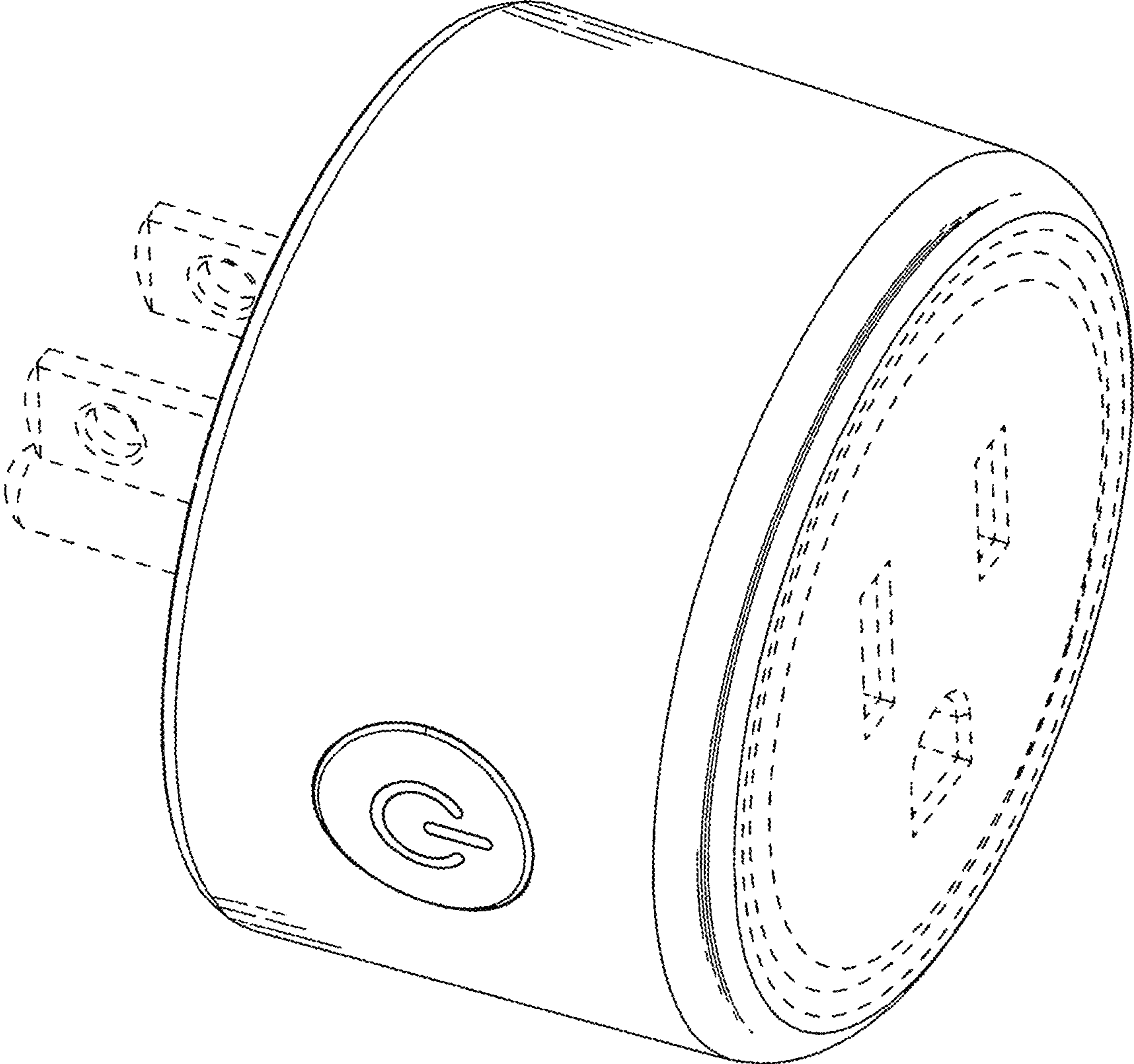


FIG. 1

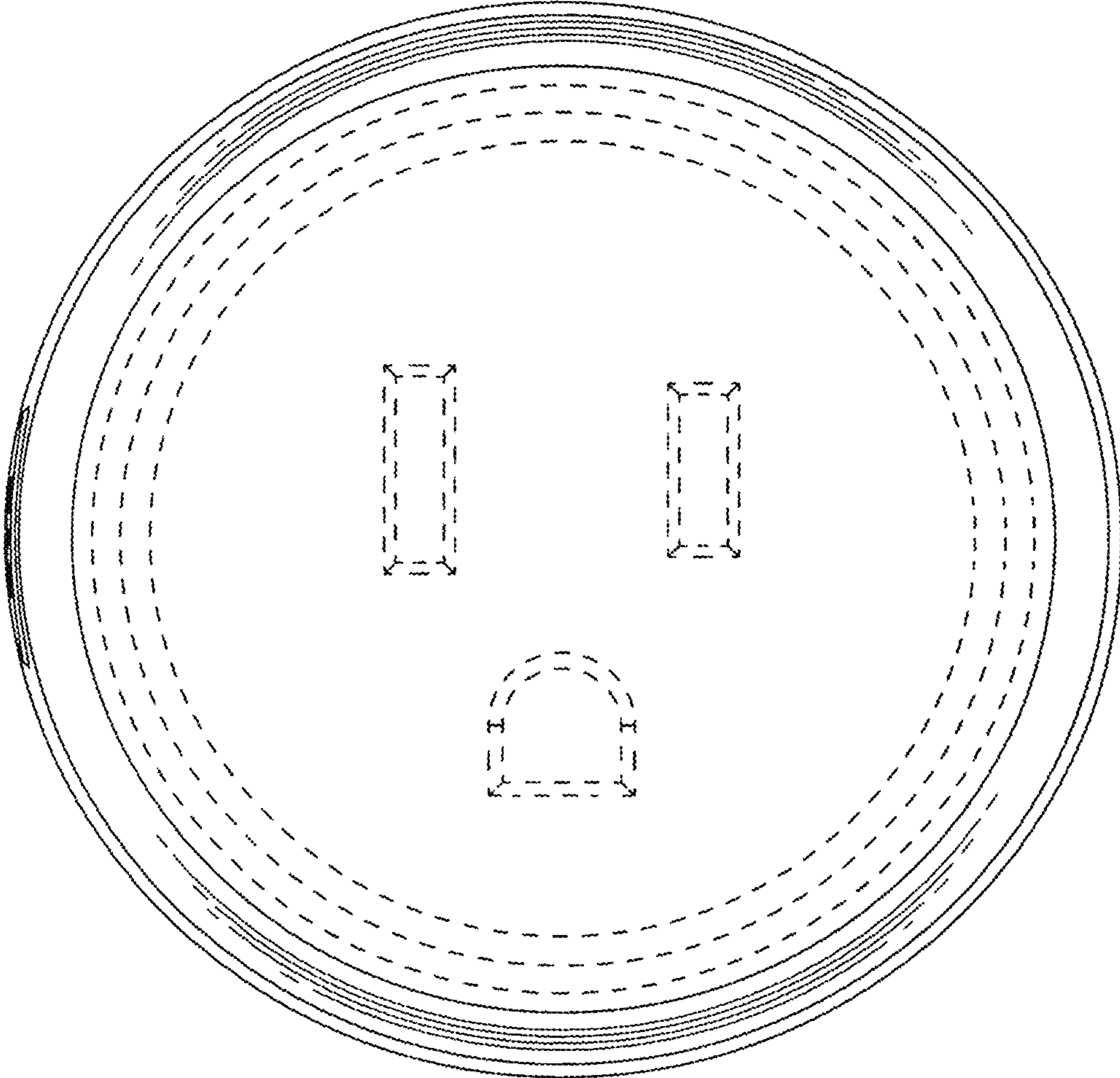


FIG. 2

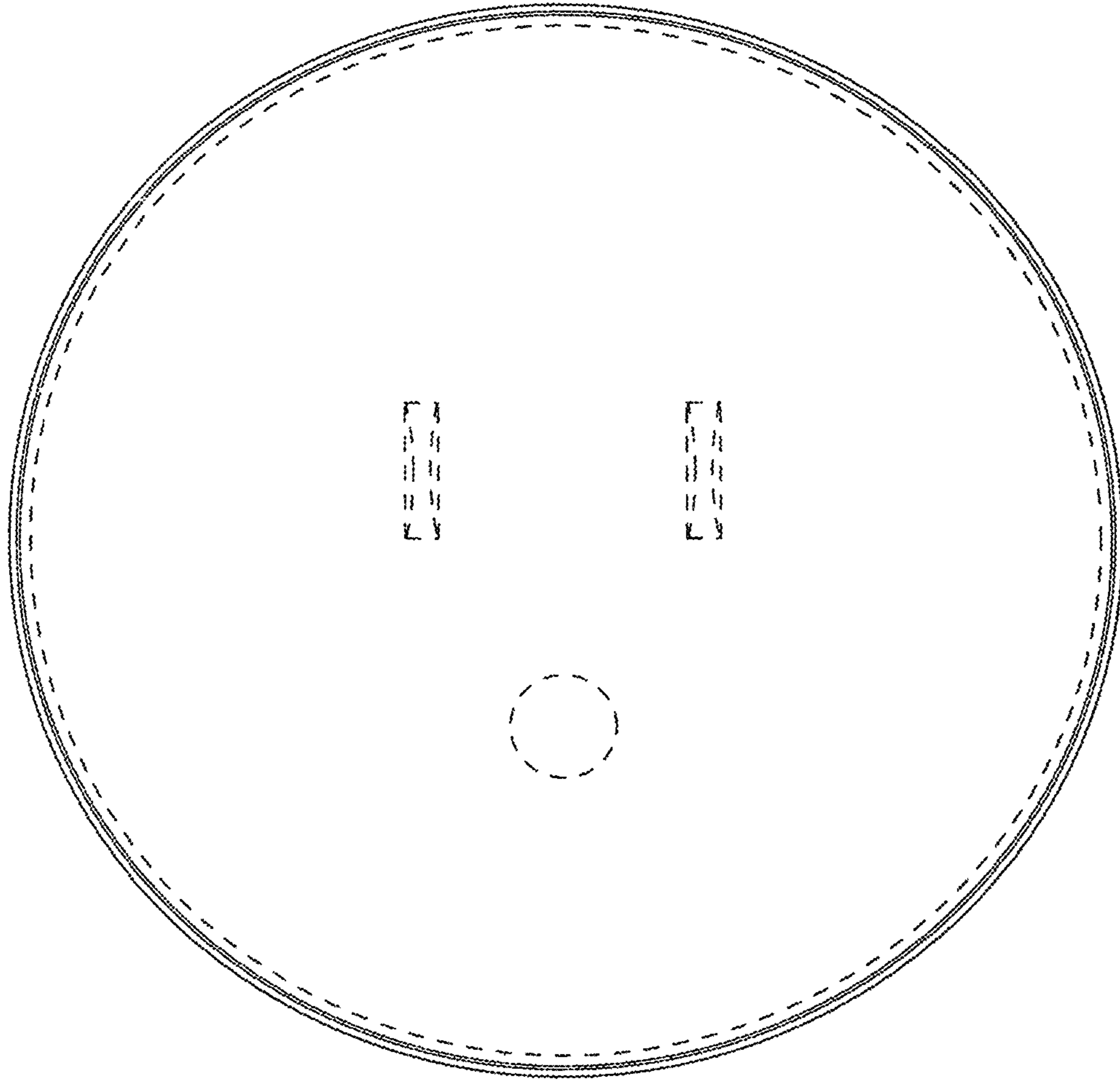


FIG. 3

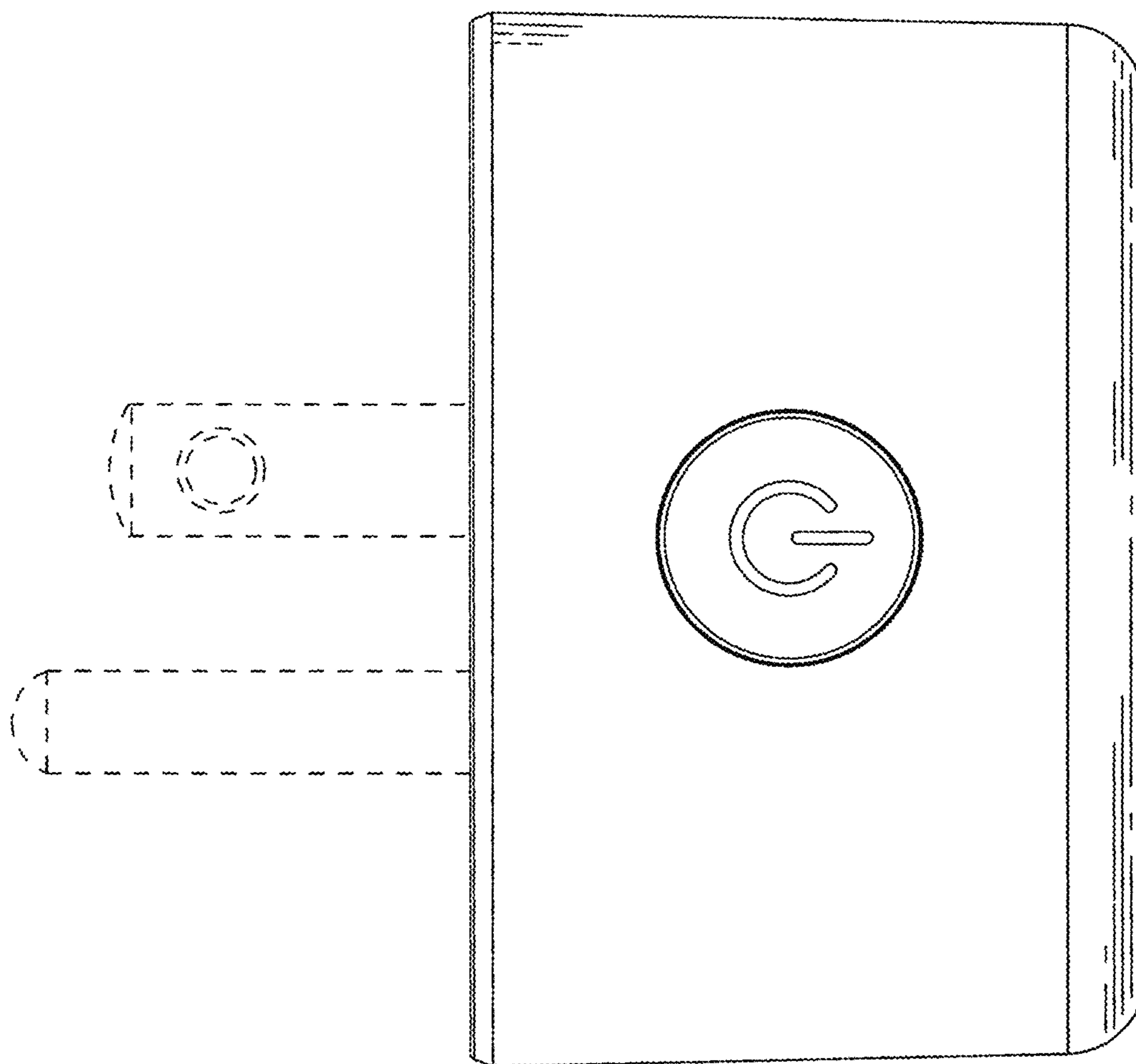


FIG. 4

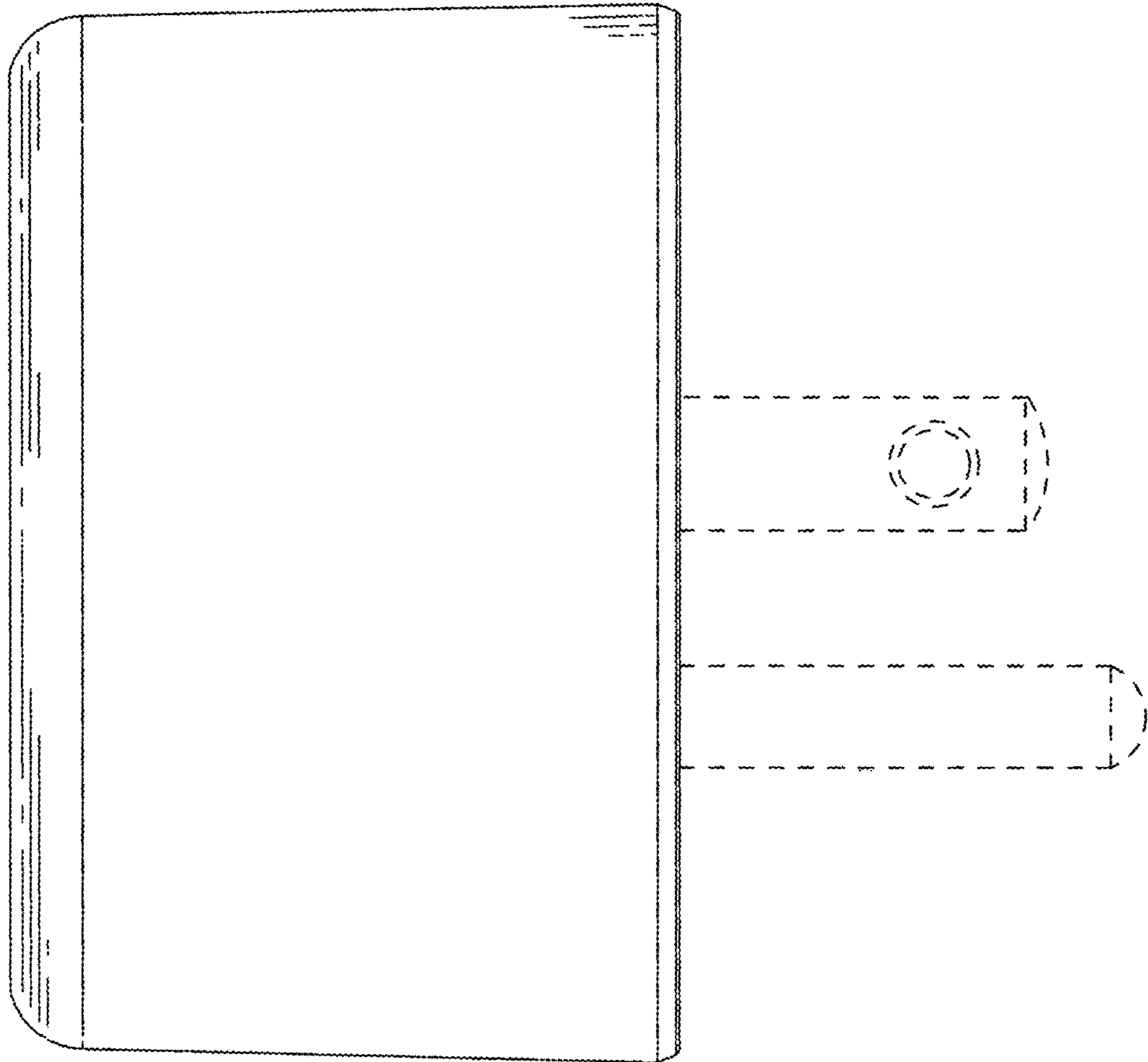


FIG. 5

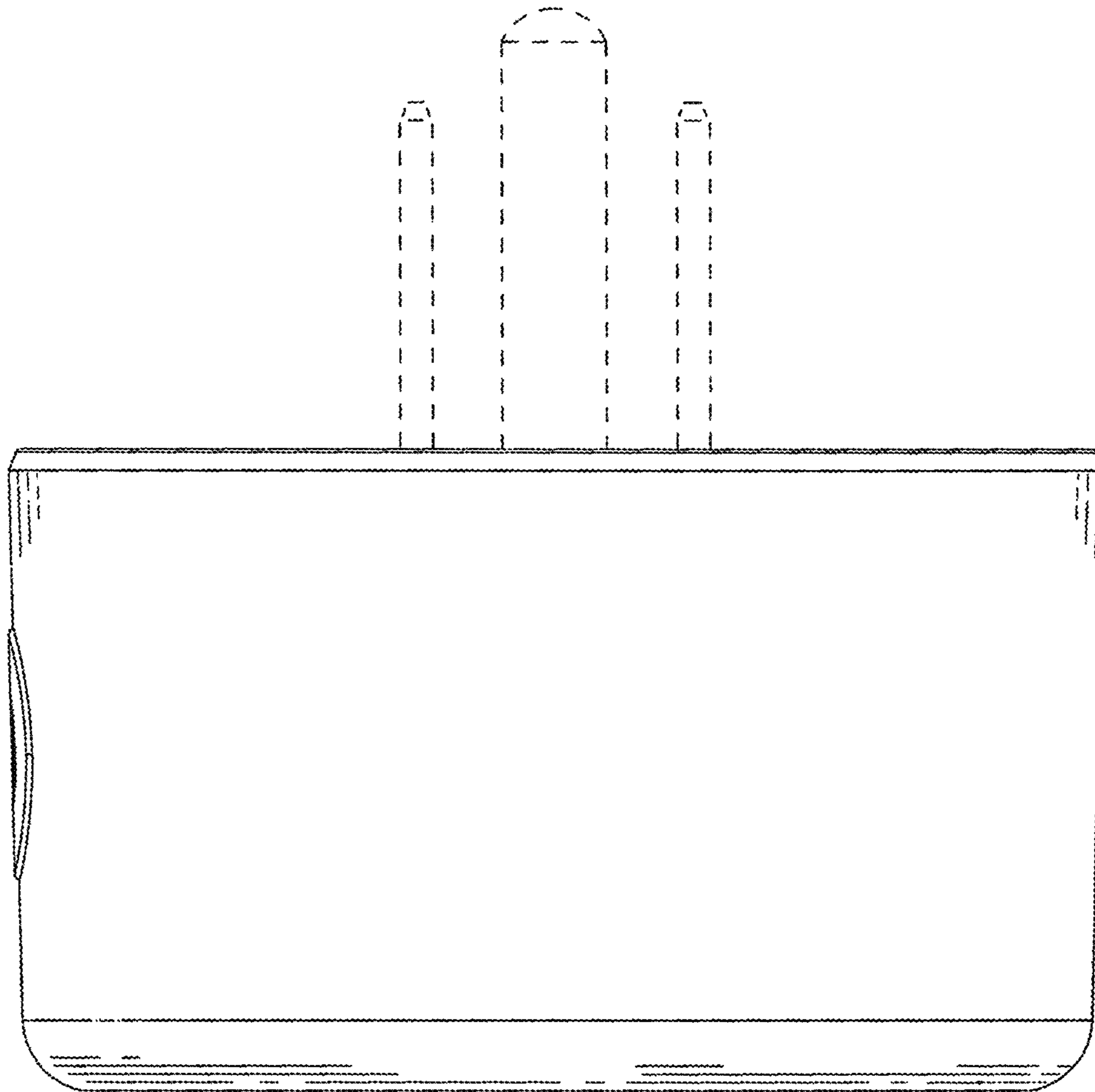


FIG. 6

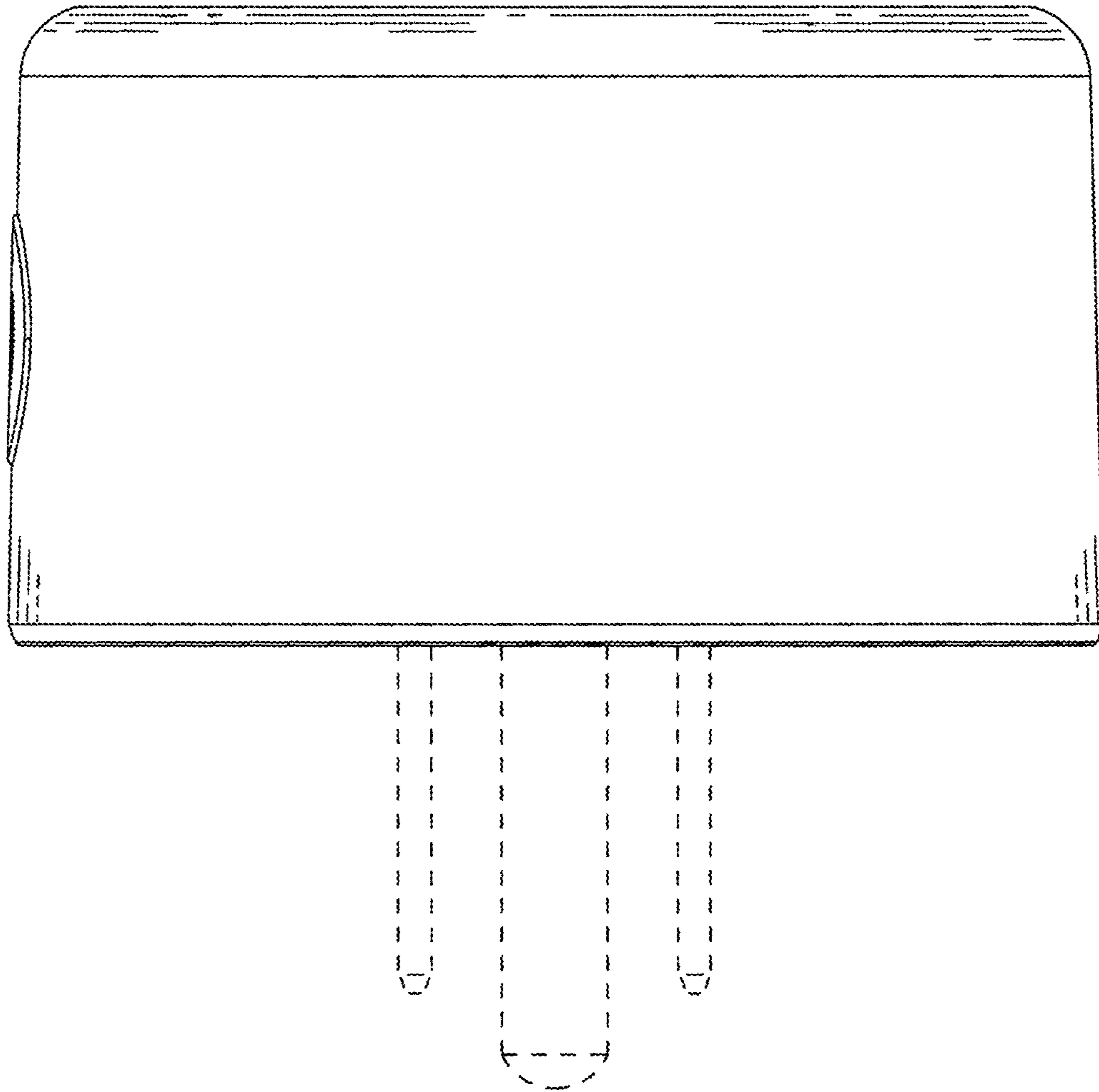


FIG. 7