



US00D937780S

(12) **United States Design Patent** (10) **Patent No.:** **US D937,780 S**  
**Kondo** (45) **Date of Patent:** **\*\* Dec. 7, 2021**

(54) **ELECTRICAL CONNECTOR**  
(71) Applicant: **SUMITOMO WIRING SYSTEMS, LTD.**, Yokkaichi (JP)  
(72) Inventor: **Tomoyuki Kondo**, Yokkaichi (JP)  
(73) Assignee: **SUMITOMO WIRING SYSTEMS, LTD.**, Mie-Ken (JP)

(\*\*) Term: **15 Years**  
(21) Appl. No.: **29/717,221**  
(22) Filed: **Dec. 16, 2019**

(30) **Foreign Application Priority Data**  
Jun. 20, 2019 (JP) ..... 2019-013634  
(51) **LOC (13) Cl.** ..... **13-03**  
(52) **U.S. Cl.**  
USPC ..... **D13/133**  
(58) **Field of Classification Search**  
USPC ..... D13/133, 146, 147, 123, 184, 199, 118,  
D13/120, 154, 155, 173, 103, 158, 112,  
D13/122  
CPC .... H01R 13/52; H01R 13/74; H01R 13/5213;  
H01R 2201/00; H01R 2201/26; H01R  
9/223  
See application file for complete search history.

(56) **References Cited**  
**U.S. PATENT DOCUMENTS**  
5,688,144 A \* 11/1997 Kosuge ..... H01R 13/516  
439/596  
D765,030 S \* 8/2016 Tyler ..... D13/119  
9,997,858 B2 \* 6/2018 Mogi ..... H01R 13/434  
10,249,916 B2 \* 4/2019 Tyler ..... H01M 10/48  
D894,836 S 9/2020 Obata et al.  
D913,929 S 3/2021 Dekuester  
10,944,223 B2 3/2021 Takeuchi  
2016/0079706 A1 \* 3/2016 Grudzewski ..... B60R 16/0215  
439/345

2019/0052011 A1\* 2/2019 Kondo ..... H01R 13/512  
2019/0109408 A1\* 4/2019 Maddens ..... H01R 13/5025  
2019/0173224 A1\* 6/2019 Inoue ..... H01R 13/5219  
(Continued)

**FOREIGN PATENT DOCUMENTS**

JP D1450562 S 9/2012

**OTHER PUBLICATIONS**

Electrical Connectors. (Design—© Questel) orbit.com. [Online PDF compilation of references] 29 pgs. Print Dates Range Jul. 18, 2012-May 11, 2020. [Retrieved Feb. 4, 2021] <https://www.orbit.com/export/UCZAH96B/pdf4/12bbb92-1769-4778-9c54-dc7985d2eacf-191918.pdf> (Year: 2021).\*

*Primary Examiner* — Brett Miller  
*Assistant Examiner* — Landon Thomas Cassell  
(74) *Attorney, Agent, or Firm* — Grogan, Tuccillo & Vanderleeden LLP

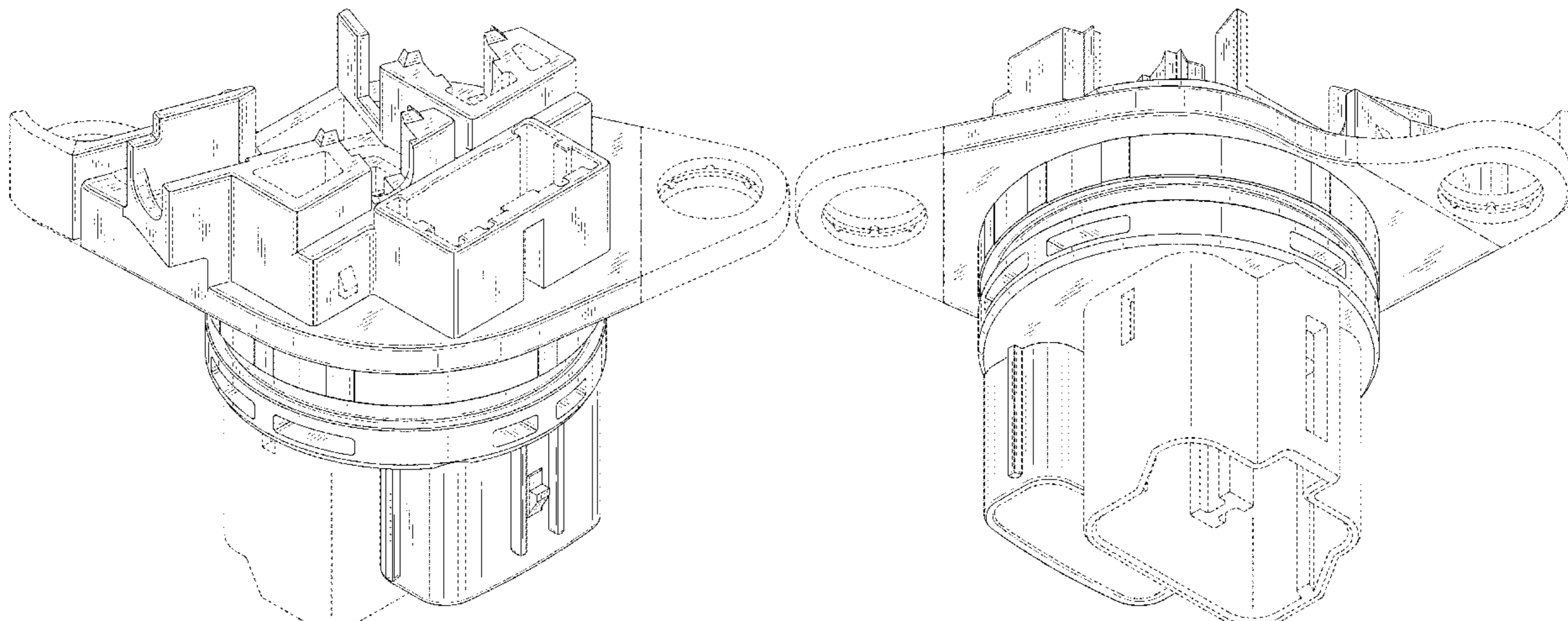
(57) **CLAIM**

The ornamental design for an electrical connector, as shown and described.

**DESCRIPTION**

FIG. 1 is a front, top, and left side perspective view of an electrical connector showing my new design;  
FIG. 2 is a rear, bottom, and right side perspective view thereof;  
FIG. 3 is a front view thereof;  
FIG. 4 is a rear view thereof;  
FIG. 5 is a top plan view thereof;  
FIG. 6 is a bottom plan view thereof;  
FIG. 7 is a right side view thereof; and,  
FIG. 8 is a left side view thereof.  
The broken lines illustrate portions of the electrical connector that form no part of the claimed design. The dash-dotted lines denote the boundary of the claim and form no part of the claimed design.

**1 Claim, 8 Drawing Sheets**



(56)

**References Cited**

U.S. PATENT DOCUMENTS

2019/0181627 A1\* 6/2019 Matsuura ..... H02G 3/14  
2020/0328554 A1\* 10/2020 Asano ..... H05K 5/061  
2020/0335919 A1 10/2020 Ohtaka et al.  
2020/0350723 A1 11/2020 Yamada  
2020/0384875 A1 12/2020 Rhodes et al.  
2021/0044057 A1\* 2/2021 Kondo ..... H01R 13/5213  
2021/0057834 A1\* 2/2021 Nagayama ..... H01R 9/24

\* cited by examiner

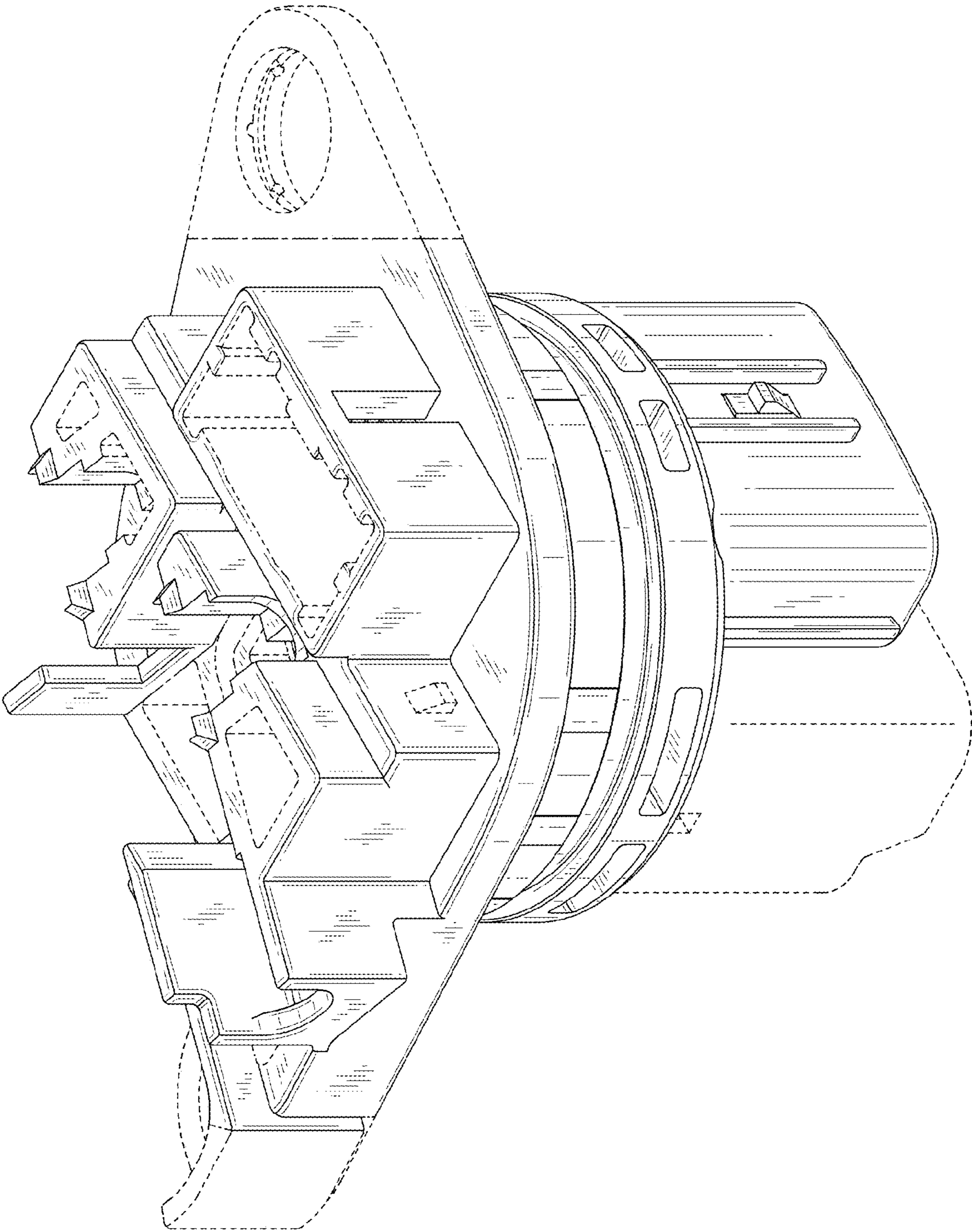


FIG.1

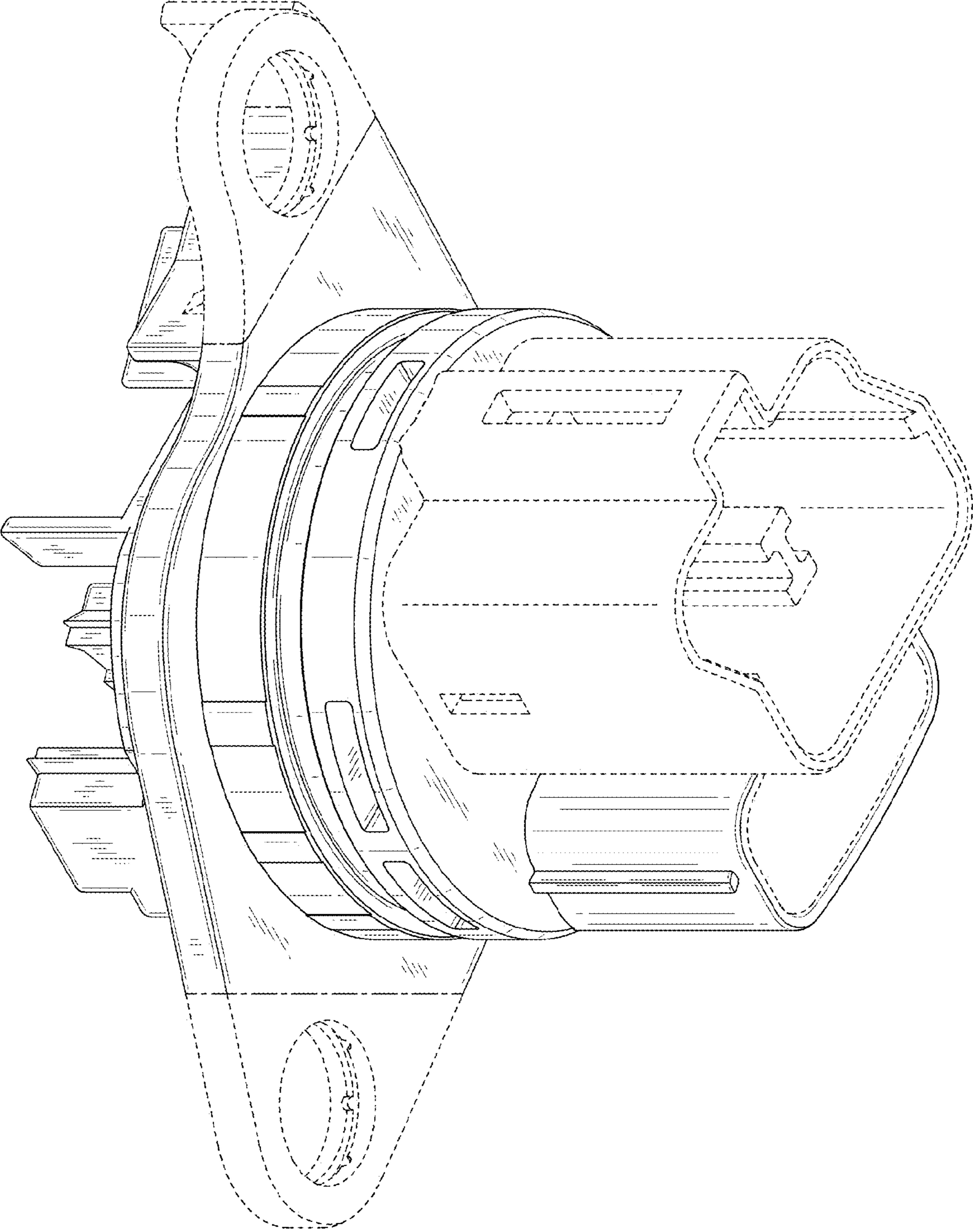


FIG.2

FIG.3

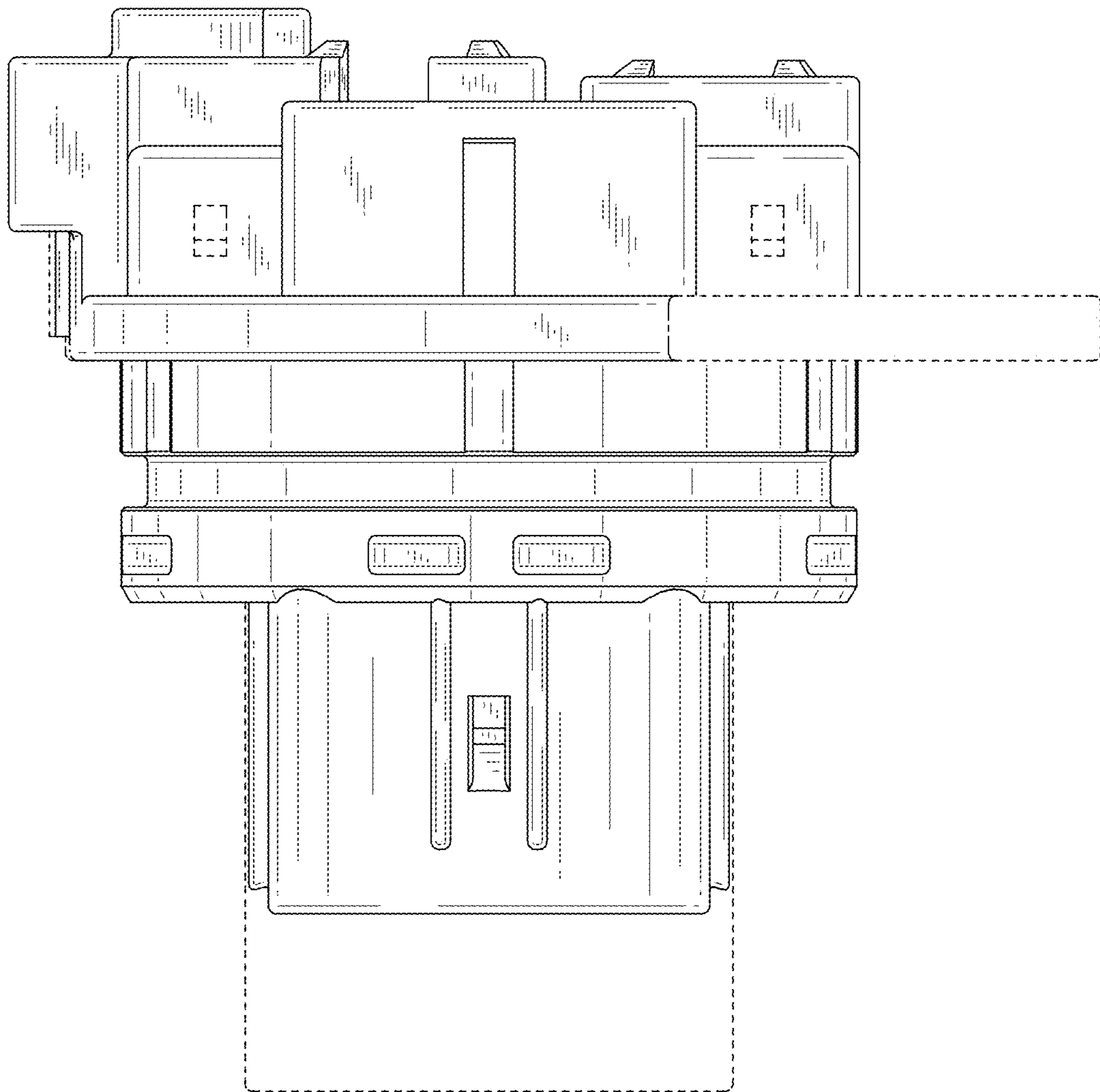


FIG.4

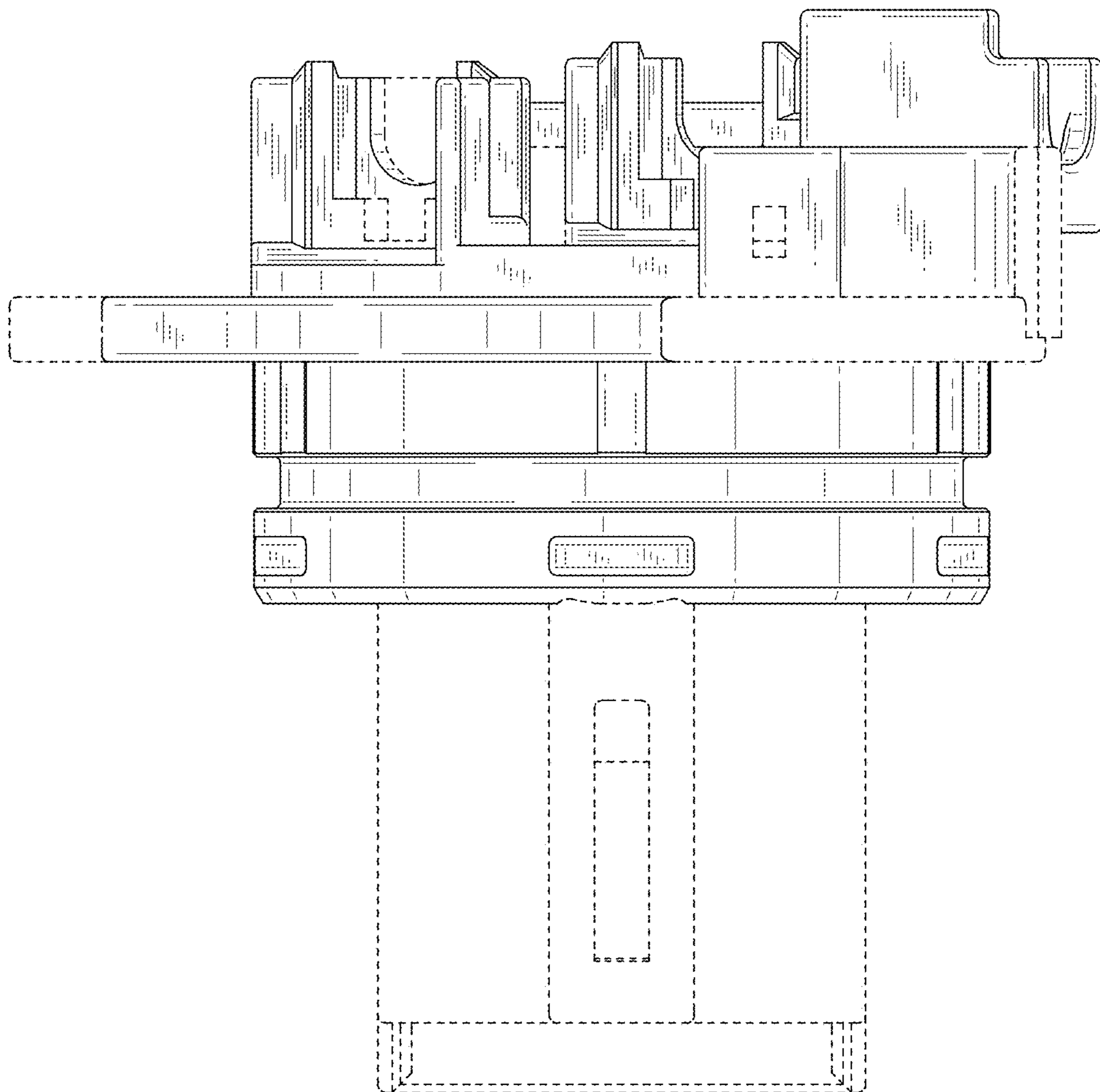


FIG.5

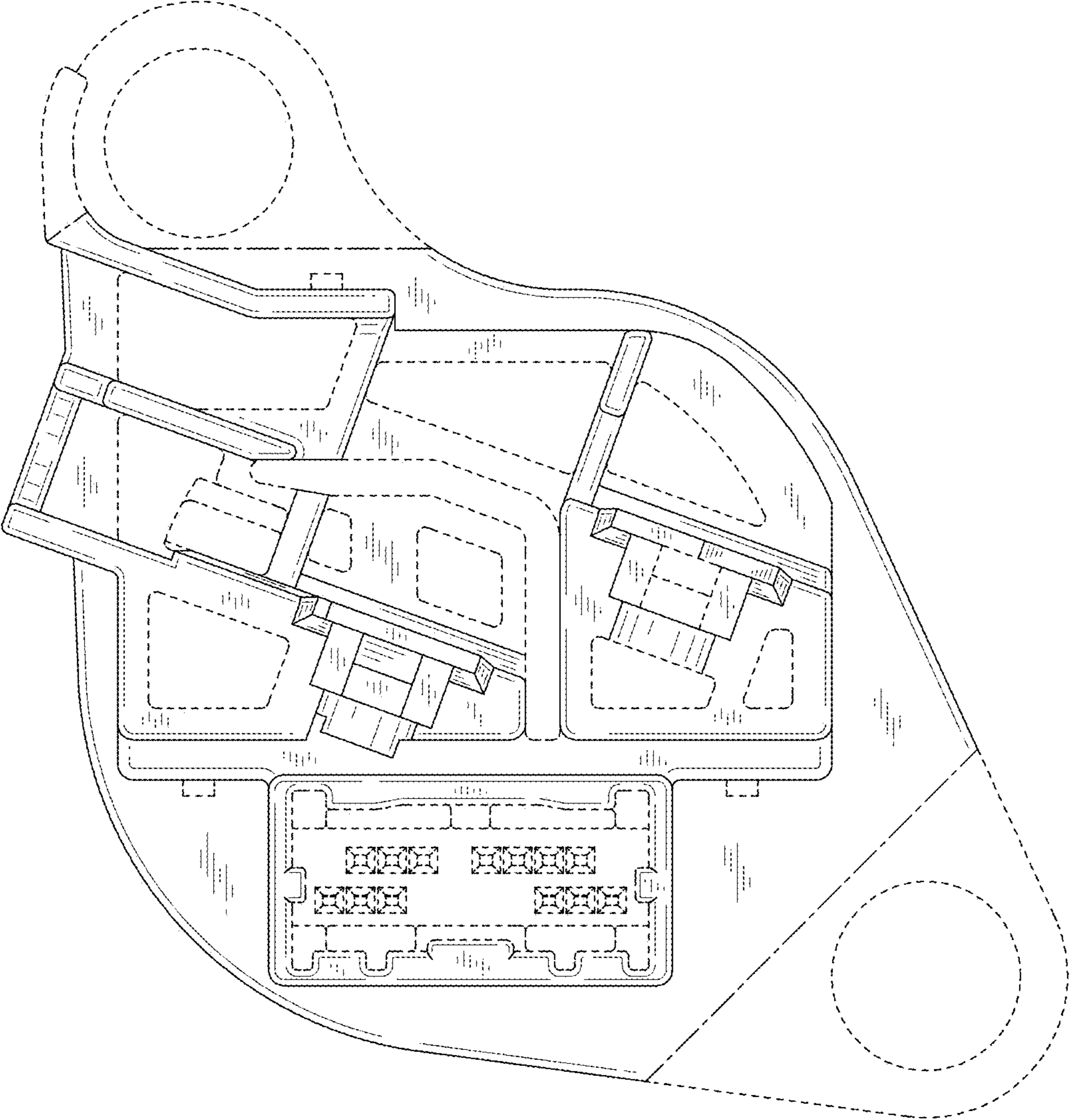


FIG.6

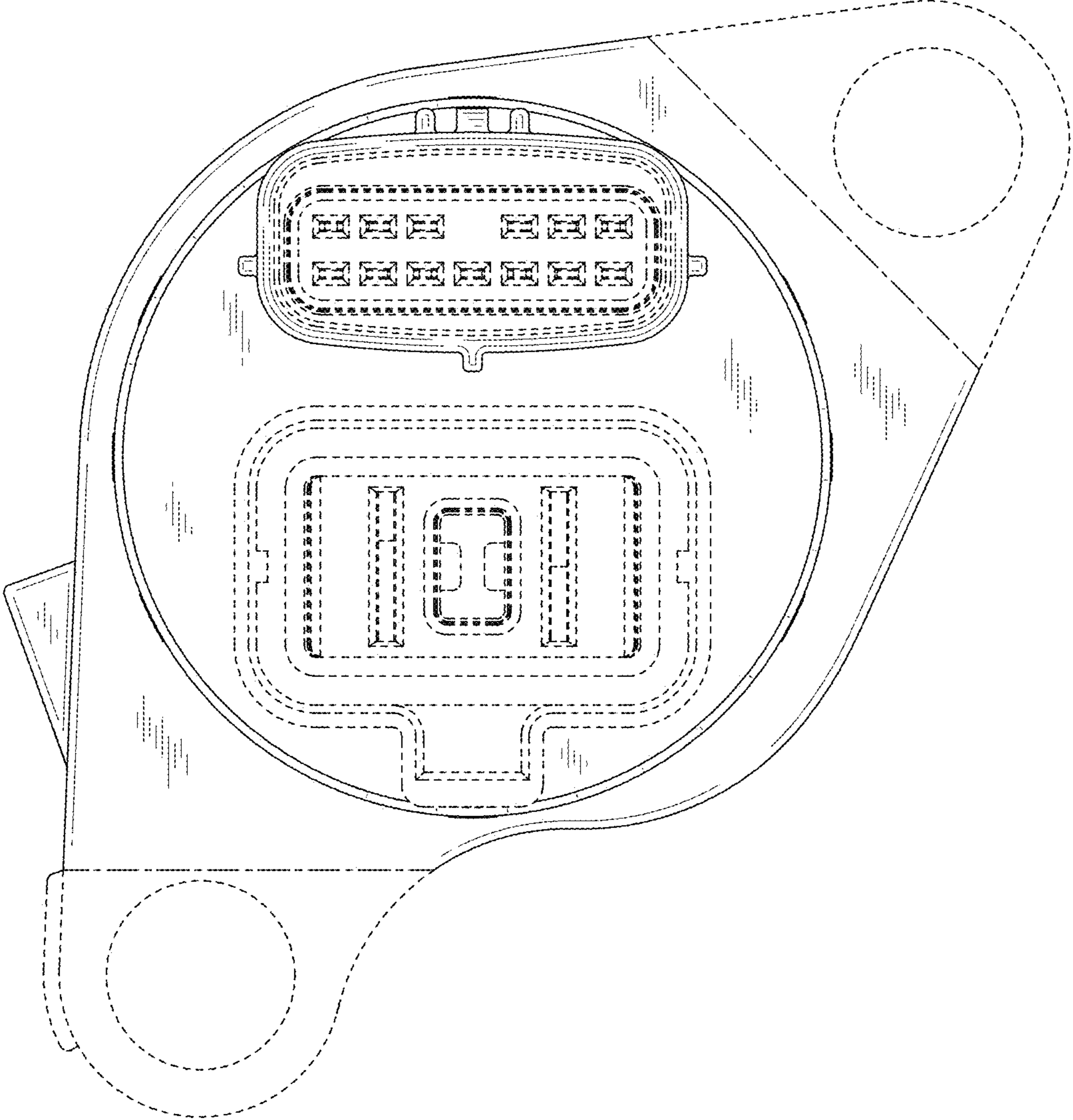




FIG.7

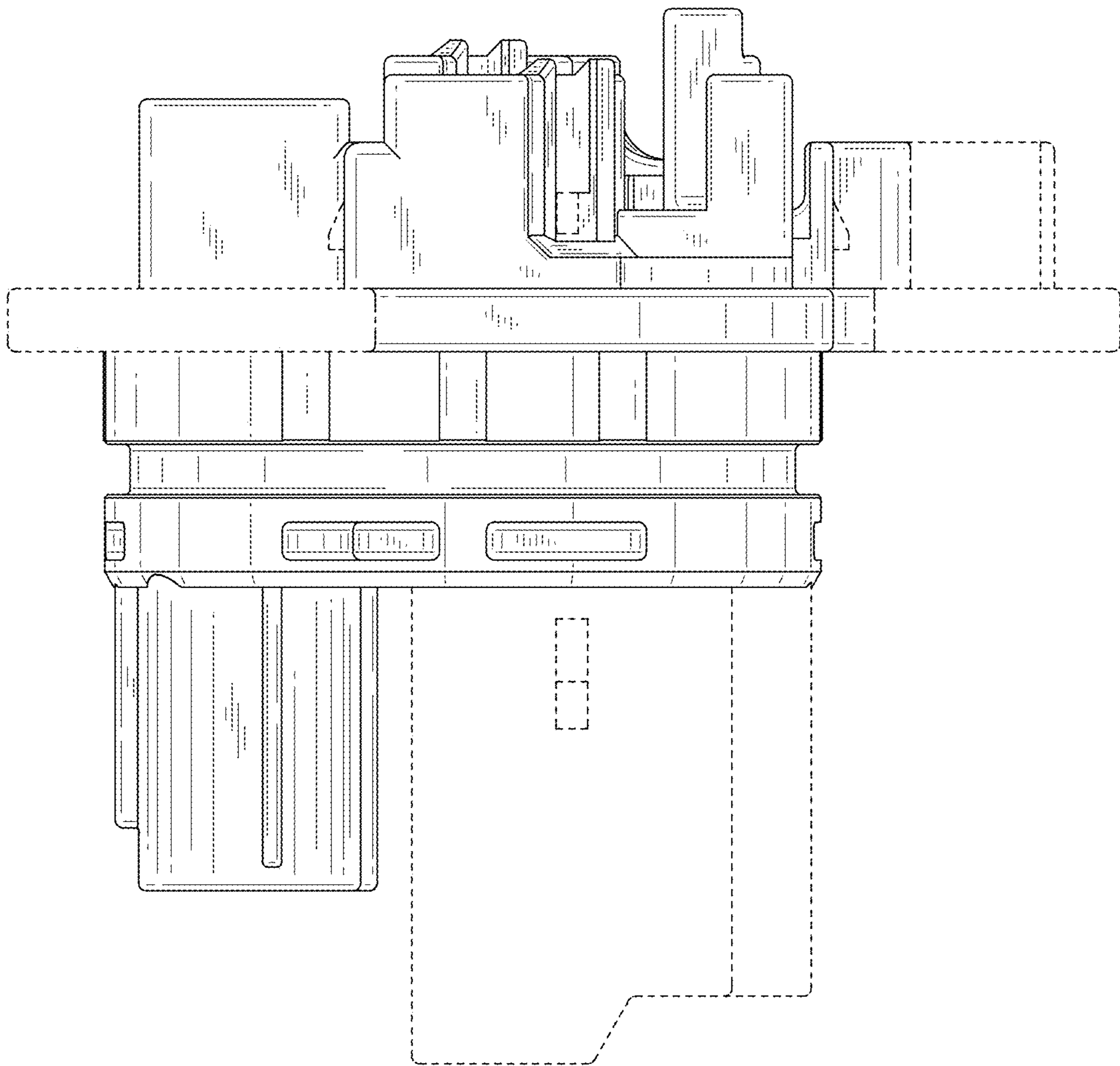


FIG.8

