



US00D937778S

(12) **United States Design Patent**  
**Tada**

(10) **Patent No.:** **US D937,778 S**

(45) **Date of Patent:** **\*\* Dec. 7, 2021**

(54) **CONNECTOR**

(71) Applicant: **Japan Aviation Electronics Industry, Limited**, Tokyo (JP)

(72) Inventor: **Takashi Tada**, Tokyo (JP)

(73) Assignee: **JAPAN AVIATION ELECTRONICS INDUSTRY, LIMITED**, Tokyo (JP)

(\*\*) Term: **15 Years**

(21) Appl. No.: **29/699,732**

(22) Filed: **Jul. 29, 2019**

(30) **Foreign Application Priority Data**

Feb. 7, 2019 (JP) ..... 2019-002476

(51) **LOC (13) Cl.** ..... **13-03**

(52) **U.S. Cl.**  
USPC ..... **D13/133; D13/147**

(58) **Field of Classification Search**  
USPC ..... D13/123, 133, 146, 147, 153, 155;  
D14/433  
CPC ..... H01R 13/00; H01R 13/02; H01R 13/58;  
H01R 13/506; H01R 13/5219; H01R  
13/642; H01R 13/645; H01R 13/665  
See application file for complete search history.

(56) **References Cited**

**U.S. PATENT DOCUMENTS**

D470,148 S *	2/2003	Nishio	.....	D13/147
D475,682 S *	6/2003	Li	.....	D13/133
D488,444 S *	4/2004	Motojima	.....	D13/147
D490,377 S *	5/2004	Sato	.....	D13/147
D520,957 S *	5/2006	Chang	.....	D13/147
D525,585 S *	7/2006	Hung	.....	D13/123
D546,289 S *	7/2007	Sasaki	.....	D13/147
D566,655 S *	4/2008	Chen	.....	D13/147
D571,298 S *	6/2008	Hsiao	.....	D13/147

D606,941 S *	12/2009	Iijima	.....	D13/147
D614,576 S *	4/2010	Chiang	.....	D13/147
D719,513 S *	12/2014	Ashibu	.....	D13/147
D770,983 S *	11/2016	Sato	.....	D13/147
D796,450 S *	9/2017	Mikawa	.....	D13/147
D797,678 S *	9/2017	Mikawa	.....	D13/147
D798,240 S *	9/2017	Mikawa	.....	D13/147
D798,241 S *	9/2017	Mikawa	.....	D13/147
D798,820 S *	10/2017	Mikawa	.....	D13/147
D829,175 S *	9/2018	Terajima	.....	D13/133
10,312,634 B2 *	6/2019	Kim	.....	H04B 1/3816
D867,301 S *	11/2019	Saitou	.....	D13/147
10,763,603 B2 *	9/2020	Guo	.....	H01R 12/7076

(Continued)

*Primary Examiner* — Brandon M Rosati

(74) *Attorney, Agent, or Firm* — Manabu Kanesaka

(57) **CLAIM**

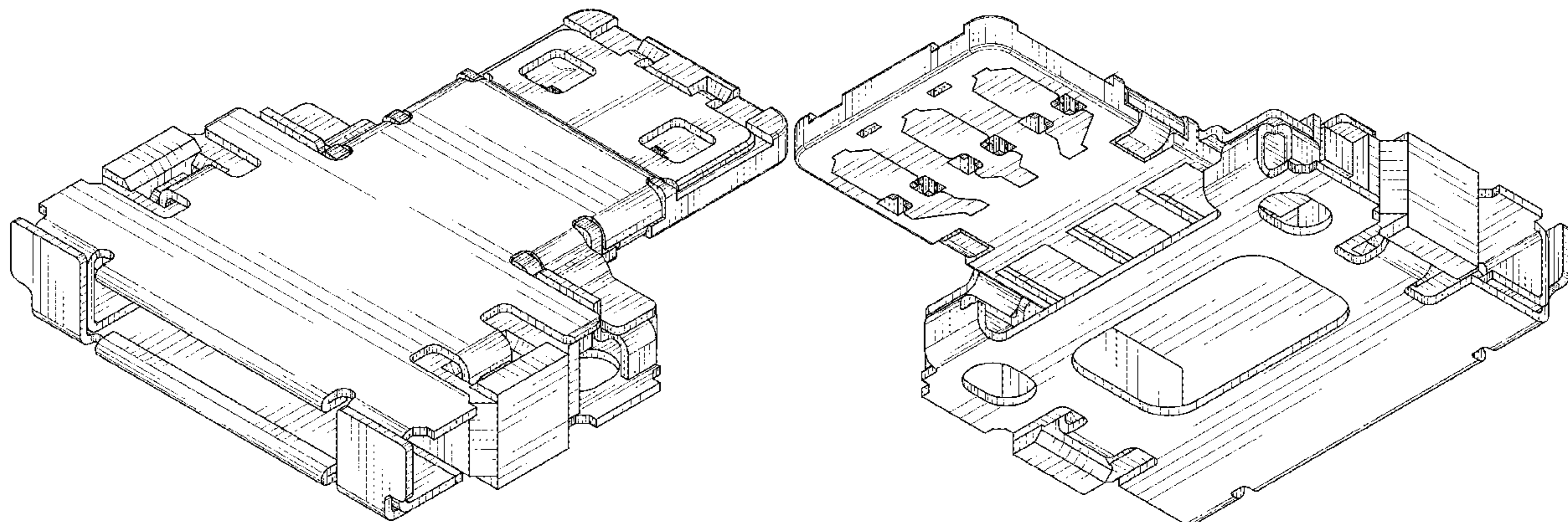
The ornamental design for a connector, as shown and described.

**DESCRIPTION**

FIG. 1 is a front elevational view of a connector showing my new design;  
 FIG. 2 is a rear elevational view thereof;  
 FIG. 3 is a right side elevational view thereof;  
 FIG. 4 is a left side elevational view thereof;  
 FIG. 5 is a top plan view thereof;  
 FIG. 6 is a bottom plan view thereof;  
 FIG. 7 is a perspective view showing a front, top and right side thereof;  
 FIG. 8 is a perspective view showing a rear, bottom and left side thereof;  
 FIG. 9 is a perspective view showing a front, right and bottom side thereof; and,  
 FIG. 10 is a perspective view showing a rear, left and top side thereof.

The broken lines showing in FIGS. 5-10 are included for the purpose of illustrating portions of the connector and form no part of the claimed design.

**1 Claim, 5 Drawing Sheets**



(56)

**References Cited**

U.S. PATENT DOCUMENTS

2004/0259426 A1\* 12/2004 Chang ..... H01R 12/7005  
439/677  
2015/0155664 A1\* 6/2015 Lu ..... H01R 13/506  
439/607.24

\* cited by examiner

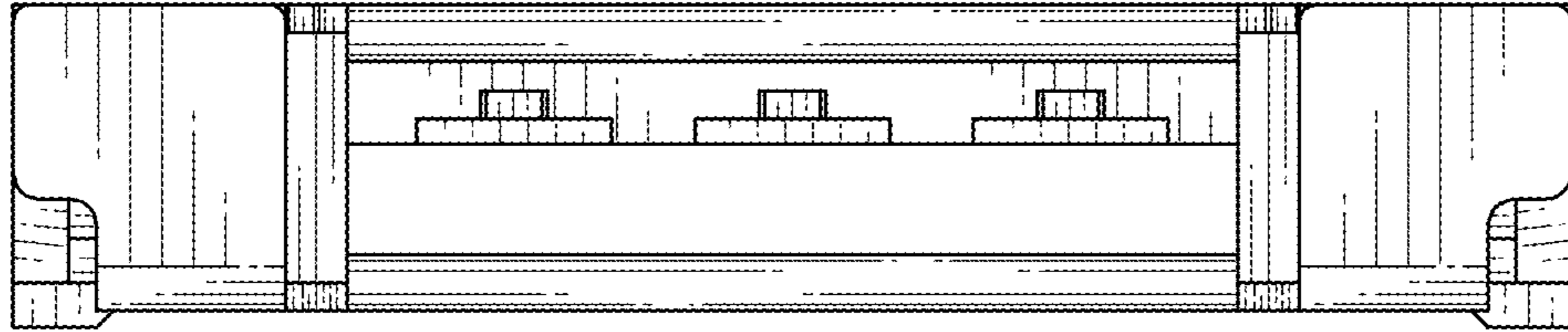


FIG. 1

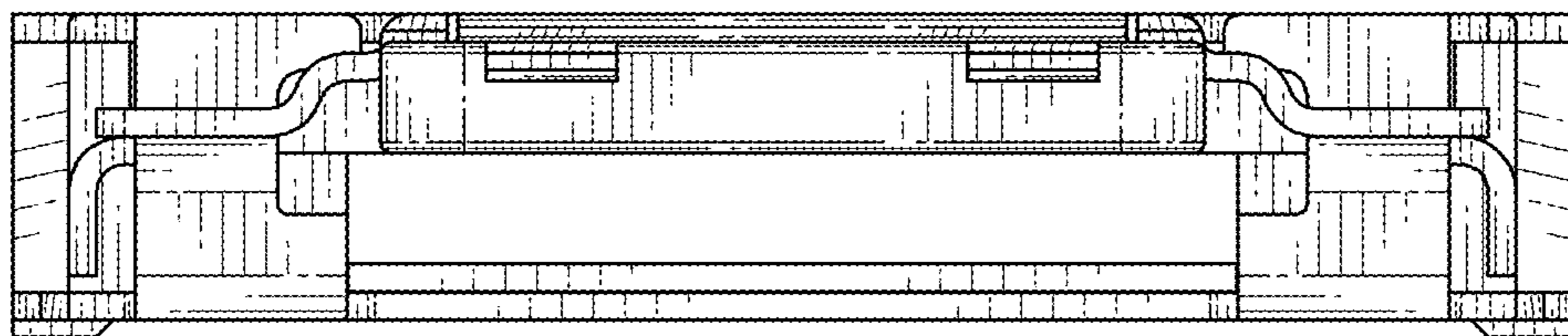


FIG. 2

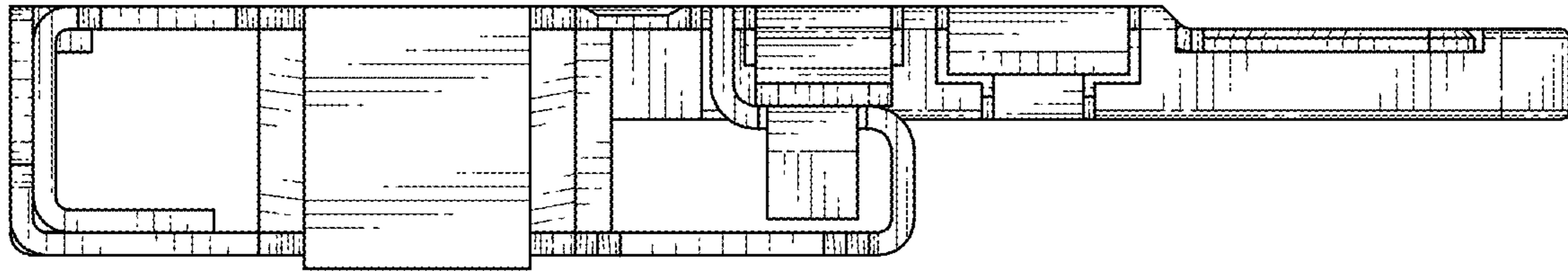


FIG. 3

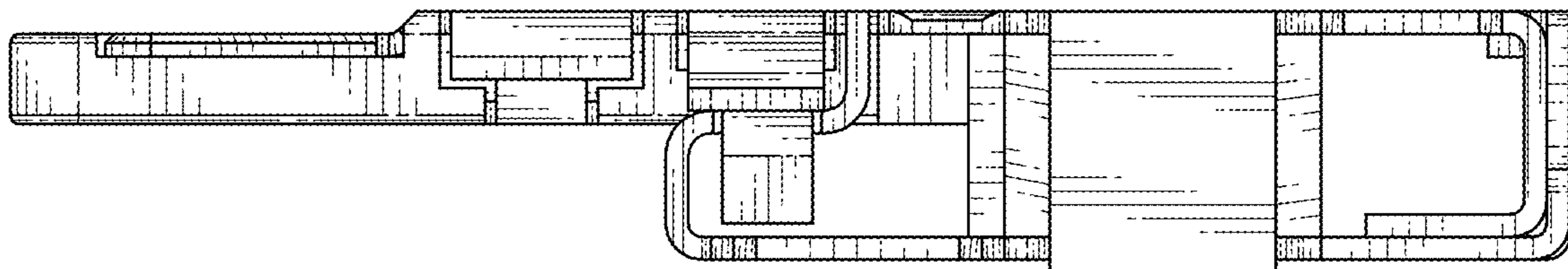


FIG. 4

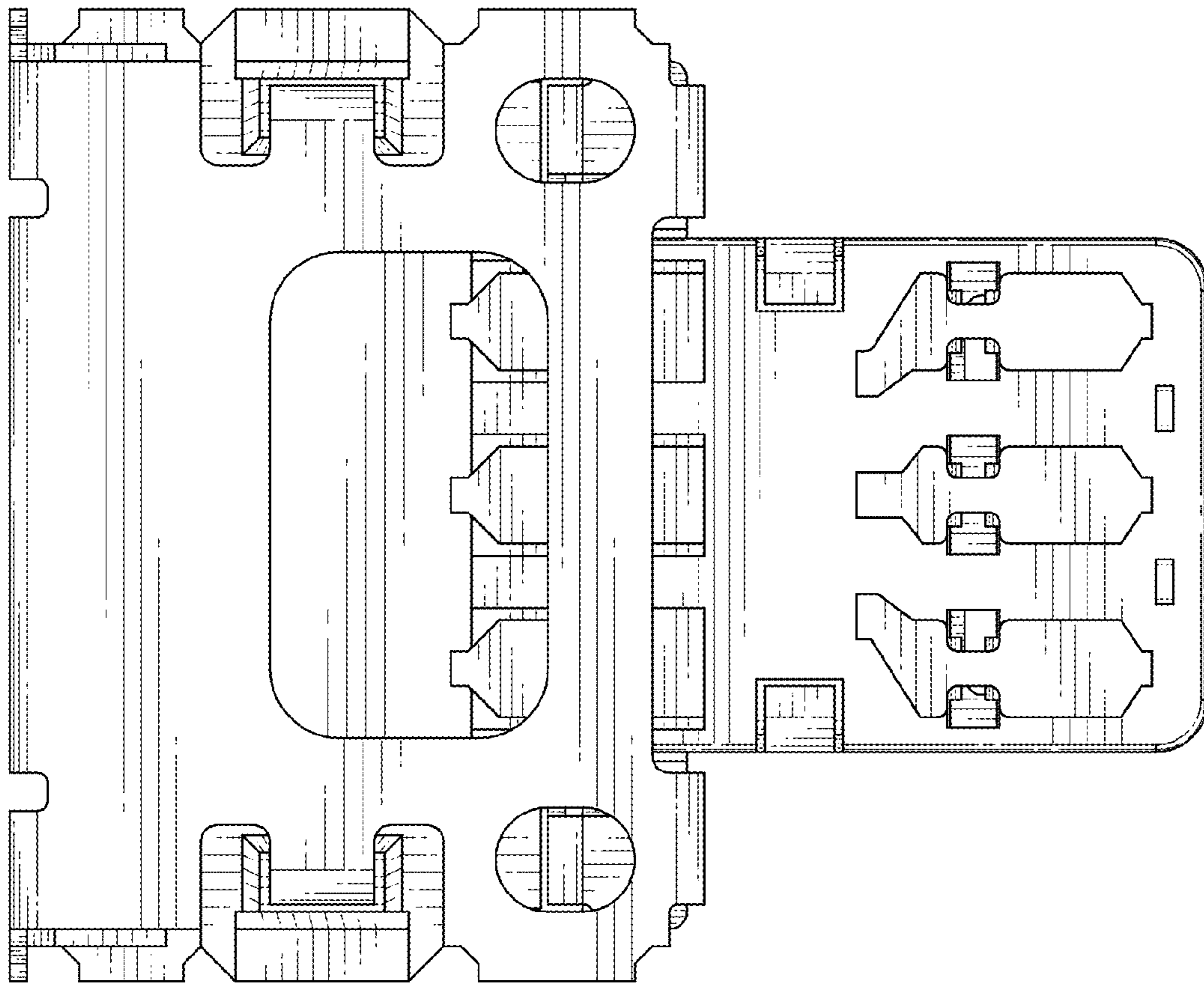


FIG. 6

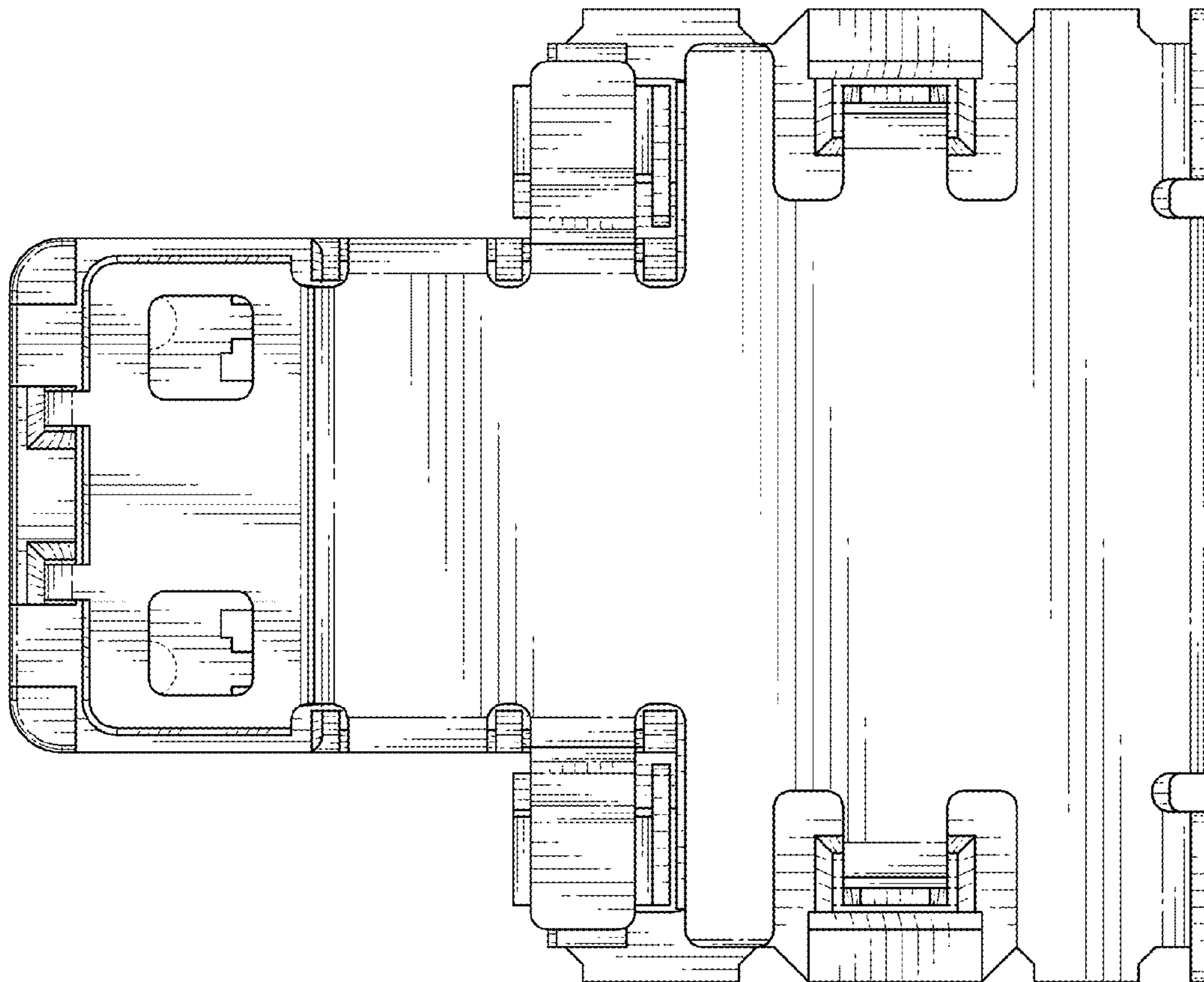


FIG. 5

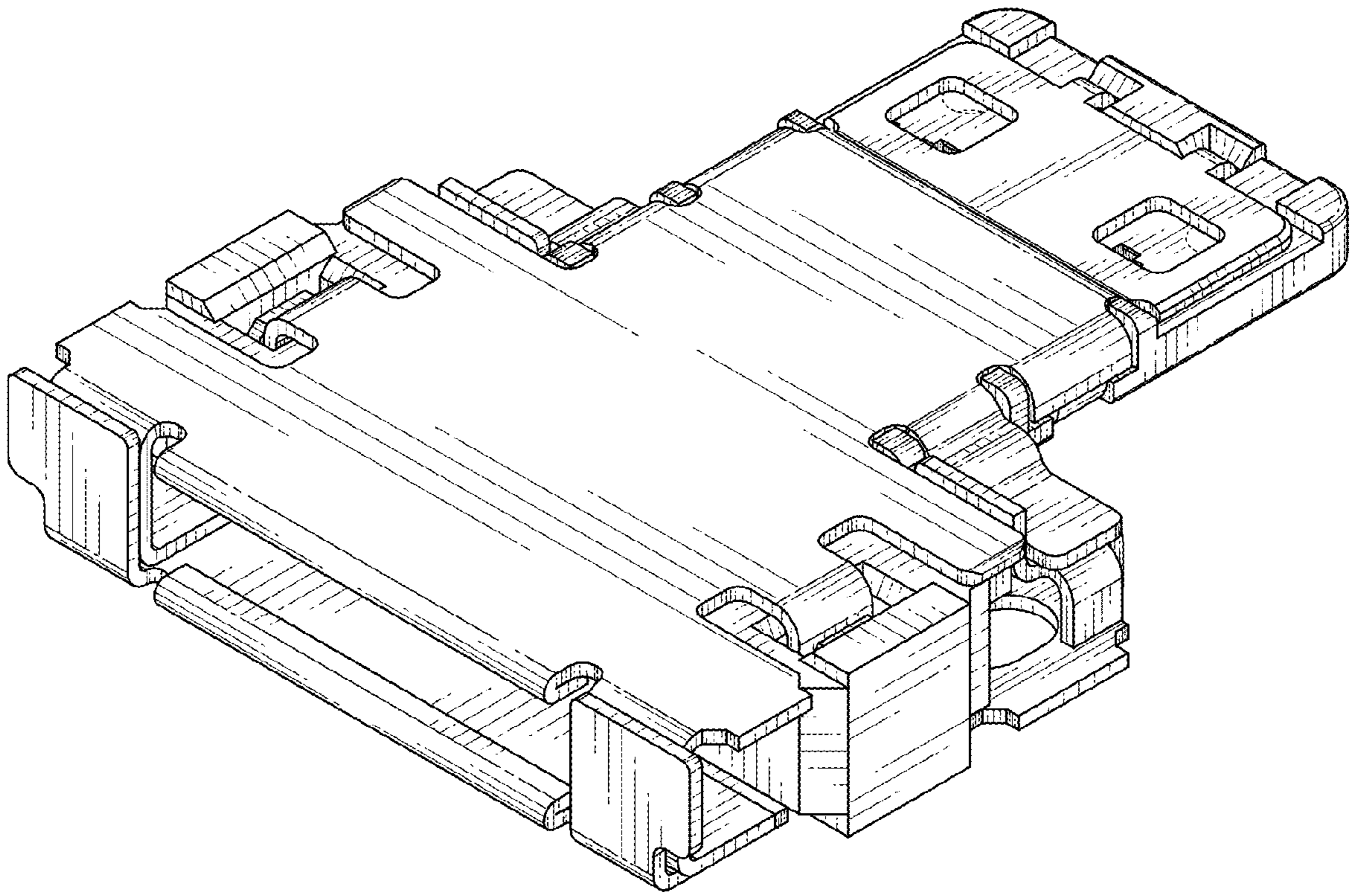


FIG. 7

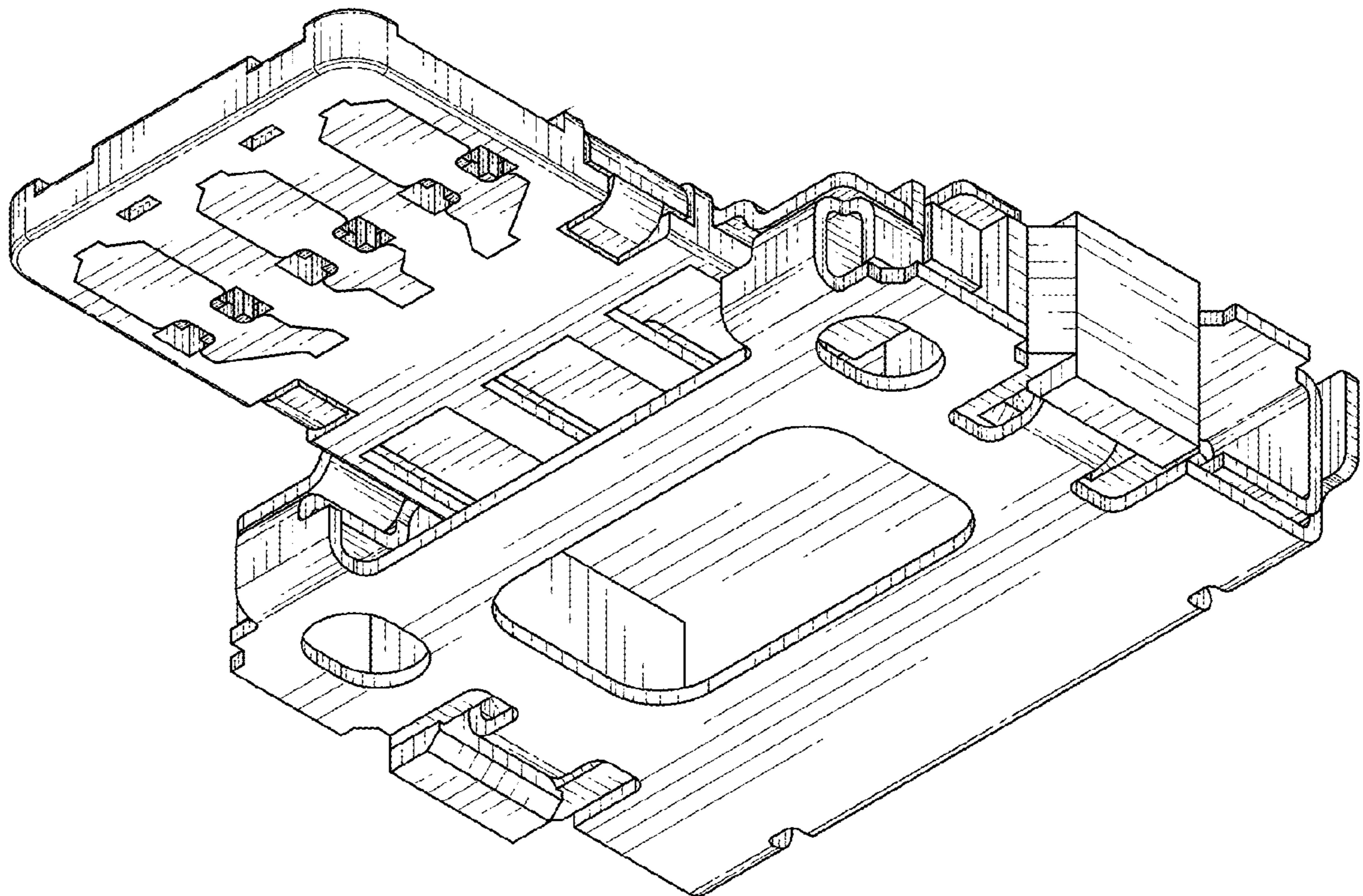


FIG. 8

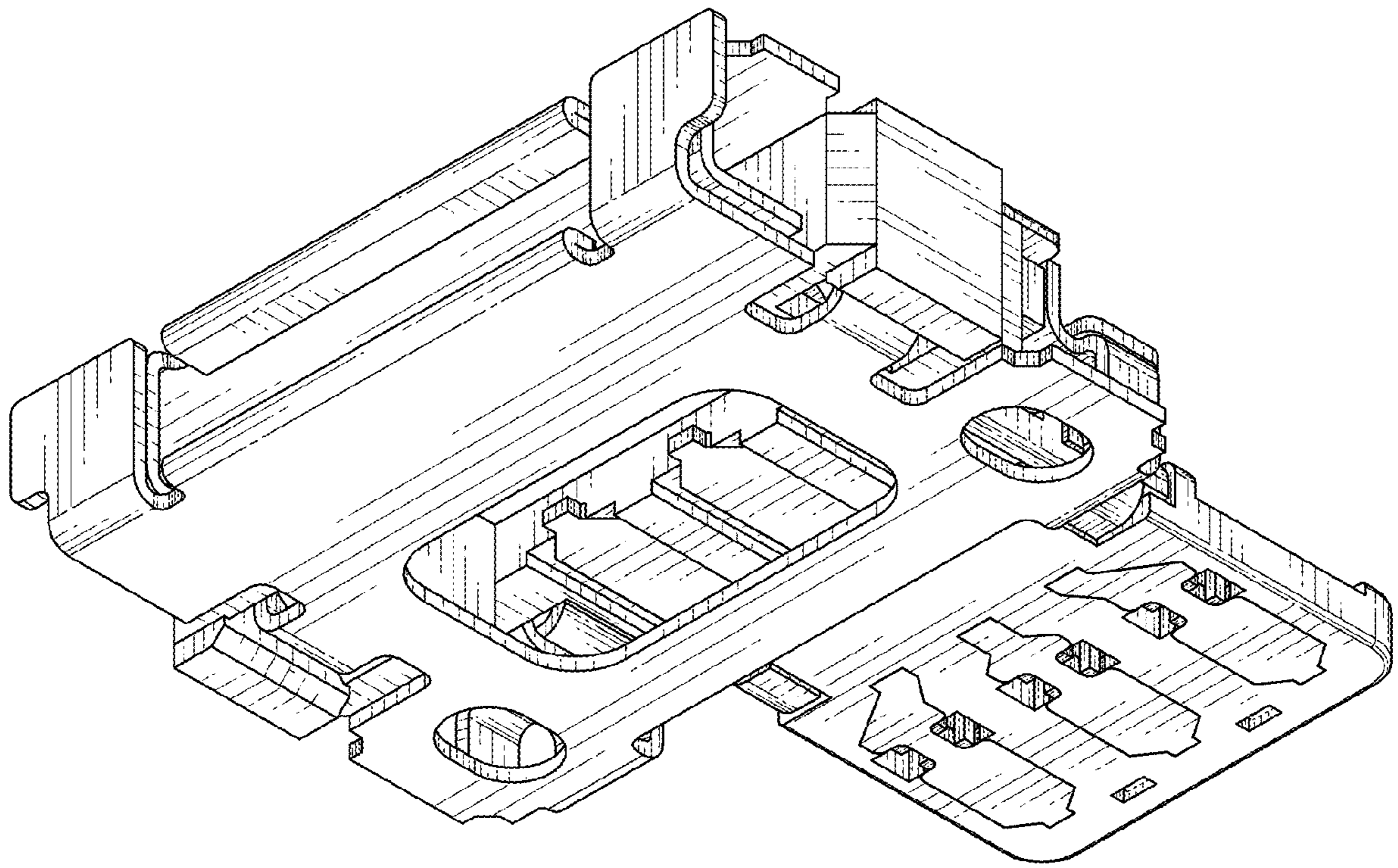


FIG. 9

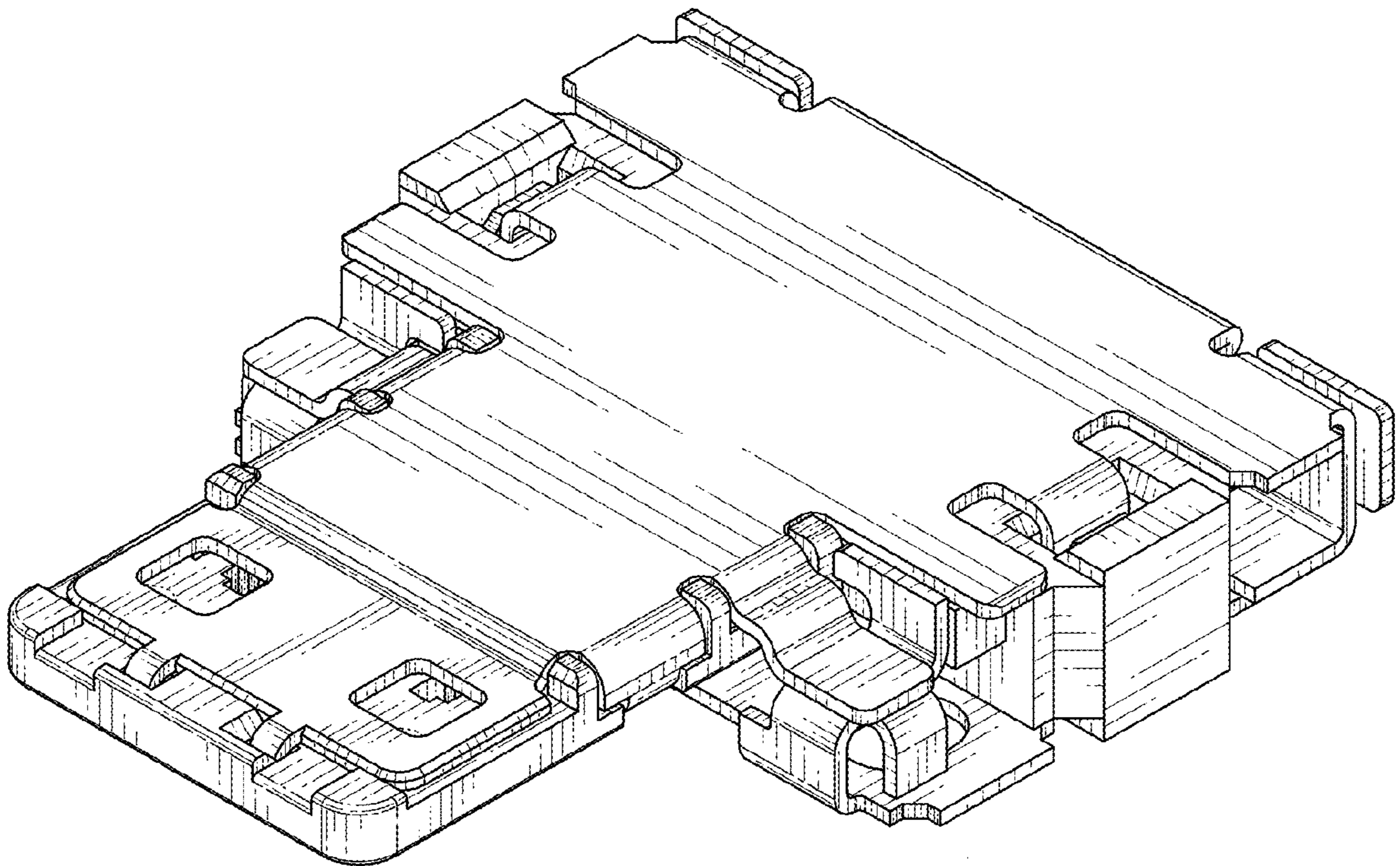


FIG. 10