



US00D937776S

(12) **United States Design Patent** (10) **Patent No.:** **US D937,776 S**
Simon et al. (45) **Date of Patent:** **** Dec. 7, 2021**

(54) **ELECTRICAL GENERATOR**

(56) **References Cited**

(71) Applicant: **Cummins Generator Technologies Limited, Peterborough (GB)**
(72) Inventors: **Kevan John Simon, Peterborough (GB); Neil Brown, Peterborough (GB); Peethamparam Anpalahan, Peterborough (GB); Philip Bend, Peterborough (GB); Robert Mitchell Rolston, Peterborough (GB)**
(73) Assignee: **Cummins Generator Technologies Limited, Peterborough (GB)**

U.S. PATENT DOCUMENTS

D295,621 S *	5/1988	Lent	D13/114
D574,325 S *	8/2008	Naghshineh	D13/114
D618,615 S *	6/2010	Basic	D13/114
7,965,005 B2 *	6/2011	Schmidt	H02K 7/1025 310/71
D712,354 S *	9/2014	Veeh	D13/112
D772,814 S *	11/2016	Rivault	D13/114
D780,119 S *	2/2017	Schieck	D13/112
D794,563 S *	8/2017	Matta	D13/114

* cited by examiner

(**) Term: **15 Years**

Primary Examiner — Derrick E Holland

(21) Appl. No.: **29/699,414**

(74) *Attorney, Agent, or Firm* — Foley & Lardner LLP

(22) Filed: **Jul. 25, 2019**

(57) **CLAIM**

(30) **Foreign Application Priority Data**

Jan. 28, 2019	(EM)	006094272-0002
Jan. 28, 2019	(EM)	006094272-0006
Jan. 28, 2019	(EM)	006094272-0007

We claim the ornamental design for an electrical generator, as shown and described.

(51) **LOC (13) Cl.** **13-01**

DESCRIPTION

(52) **U.S. Cl.**
USPC **D13/114**

(58) **Field of Classification Search**
USPC D13/101, 112, 113, 114, 117, 118, 120, D13/122, 199; D15/1, 3, 5, 199; D23/370, 377
CPC . F02B 63/04; H02K 3/24; H02K 3/47; H02K 1/12; H02K 5/02; H02K 5/04; H02K 5/08; H02K 5/18; H02K 5/20; H02K 11/0094; H02K 9/06; H02K 9/14
See application file for complete search history.

FIG. 1 is a top, front, left isometric view of an electrical generator showing our new design;
FIG. 2 is a left side elevational view thereof;
FIG. 3 is a right side elevational view thereof;
FIG. 4 is a rear elevational view thereof;
FIG. 5 is a front elevational view thereof;
FIG. 6 is a top plan view thereof; and,
FIG. 7 is a bottom plan view thereof.

1 Claim, 7 Drawing Sheets

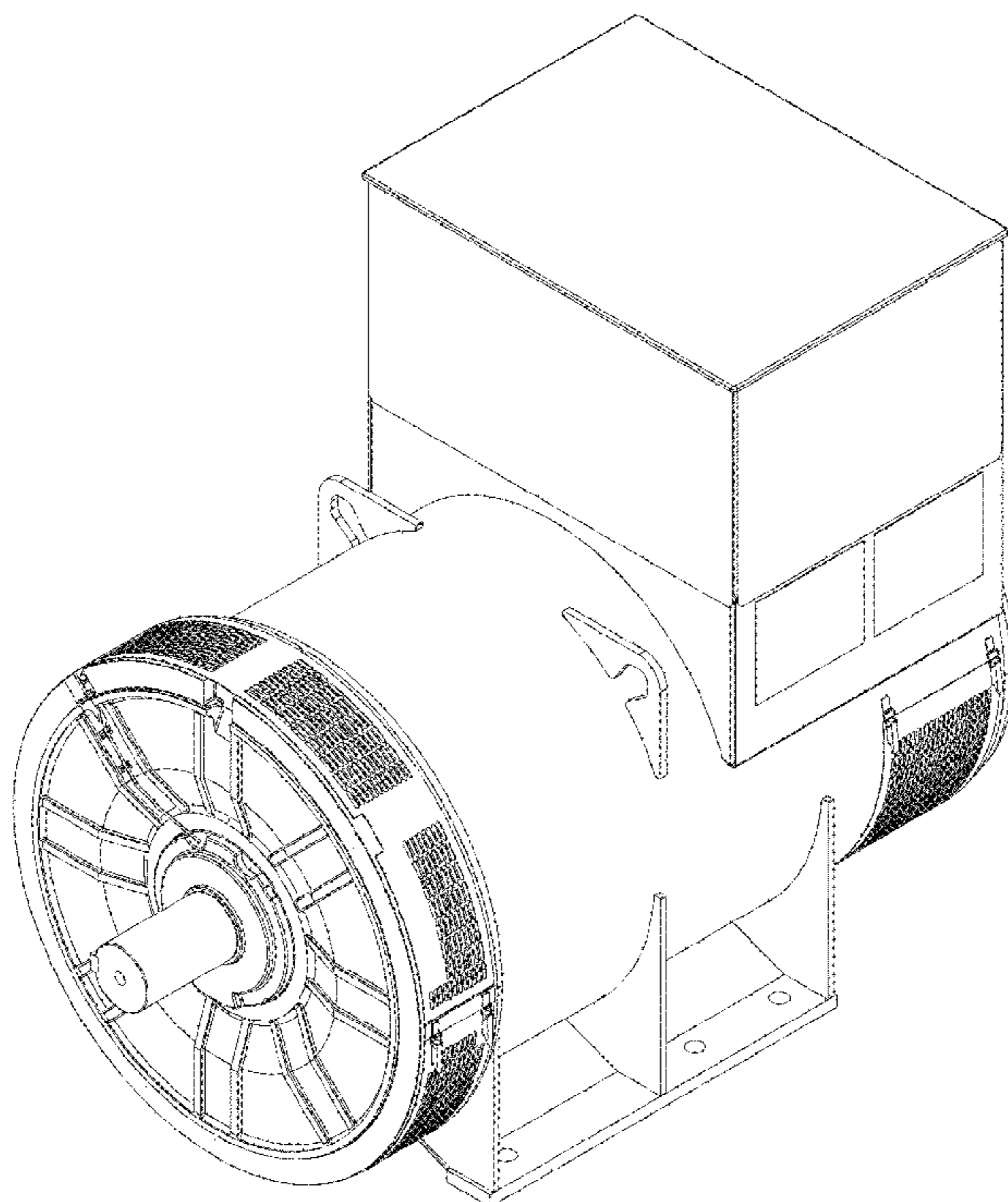


FIG. 1

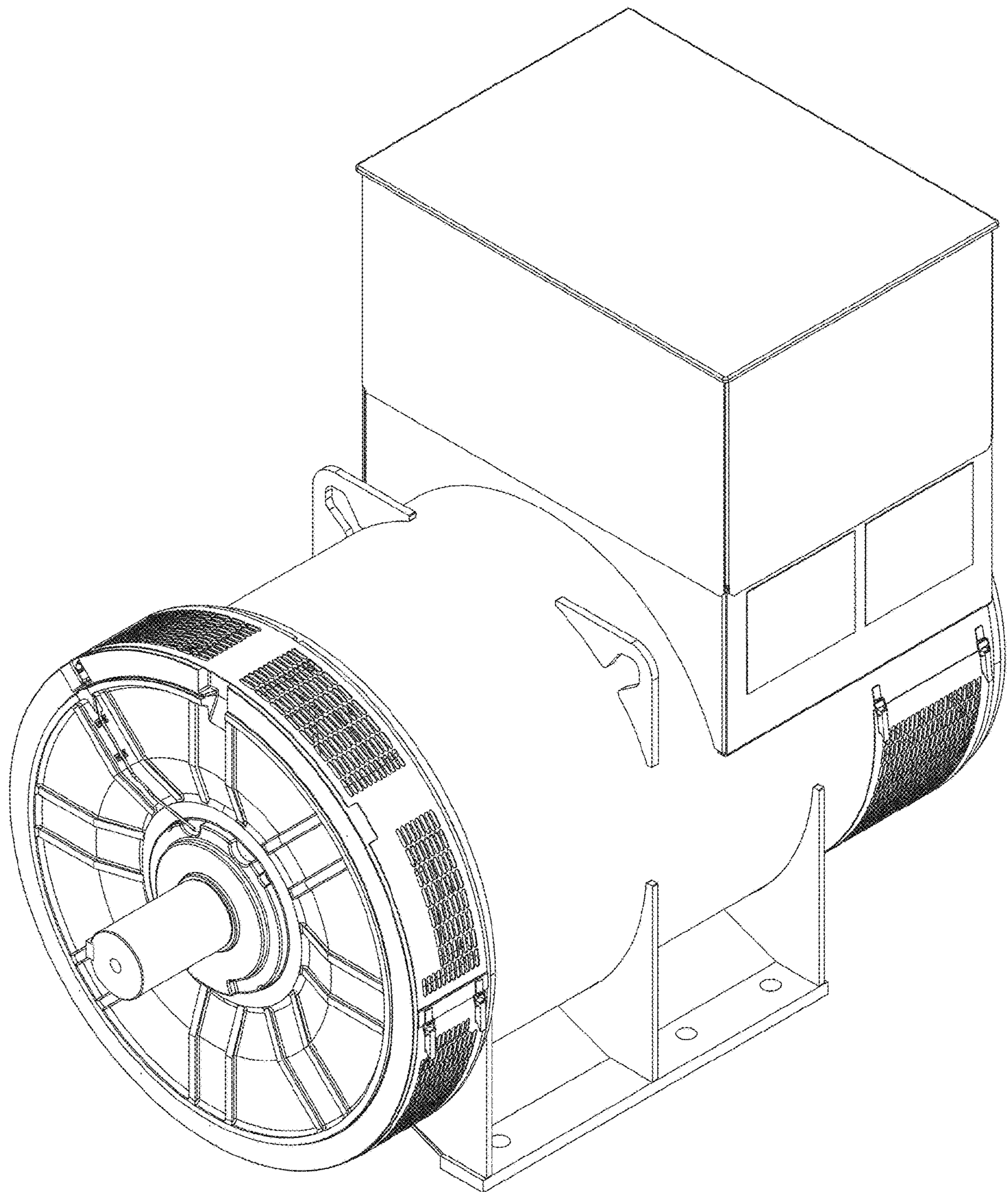


FIG. 2

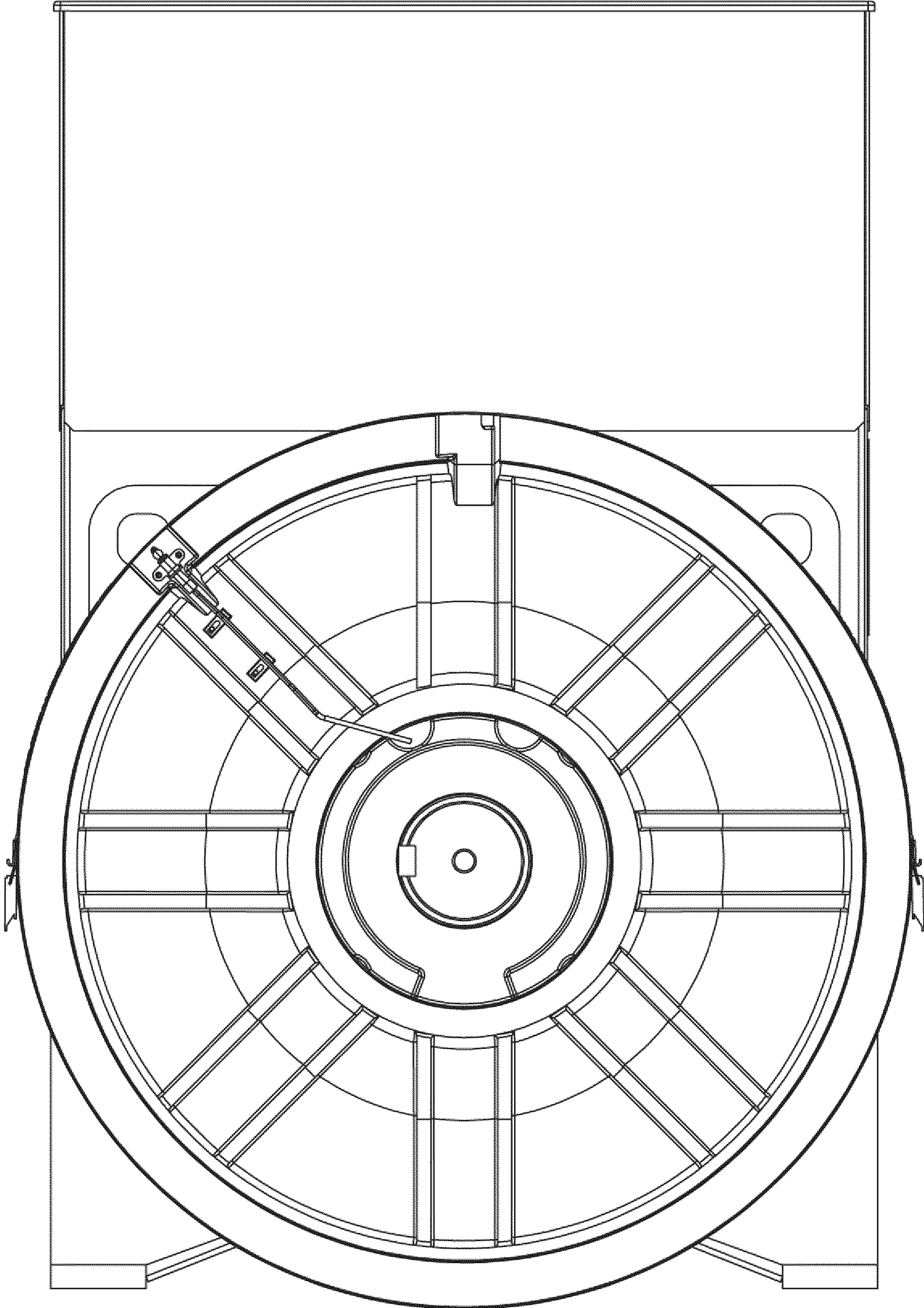


FIG. 3

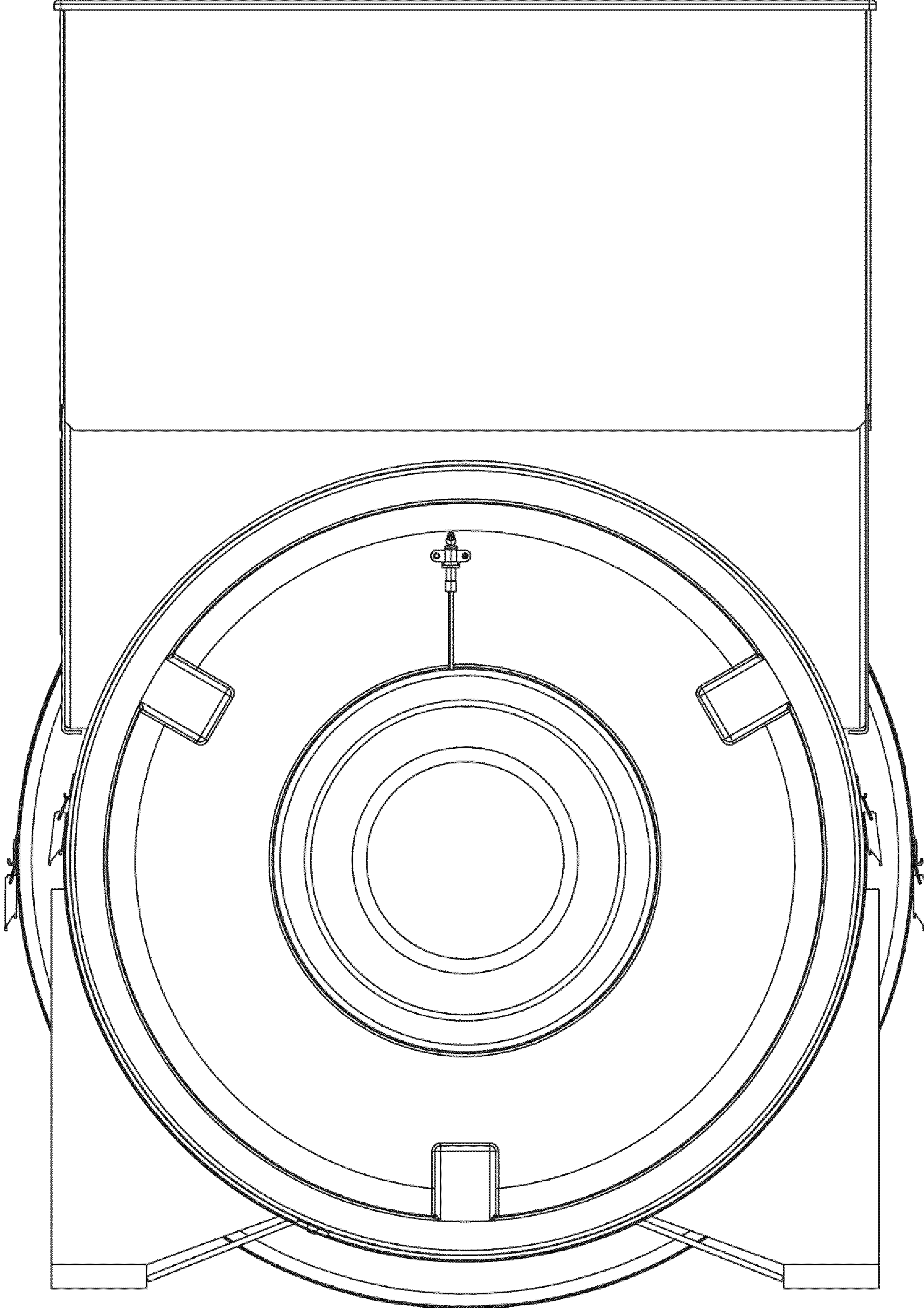


FIG. 4

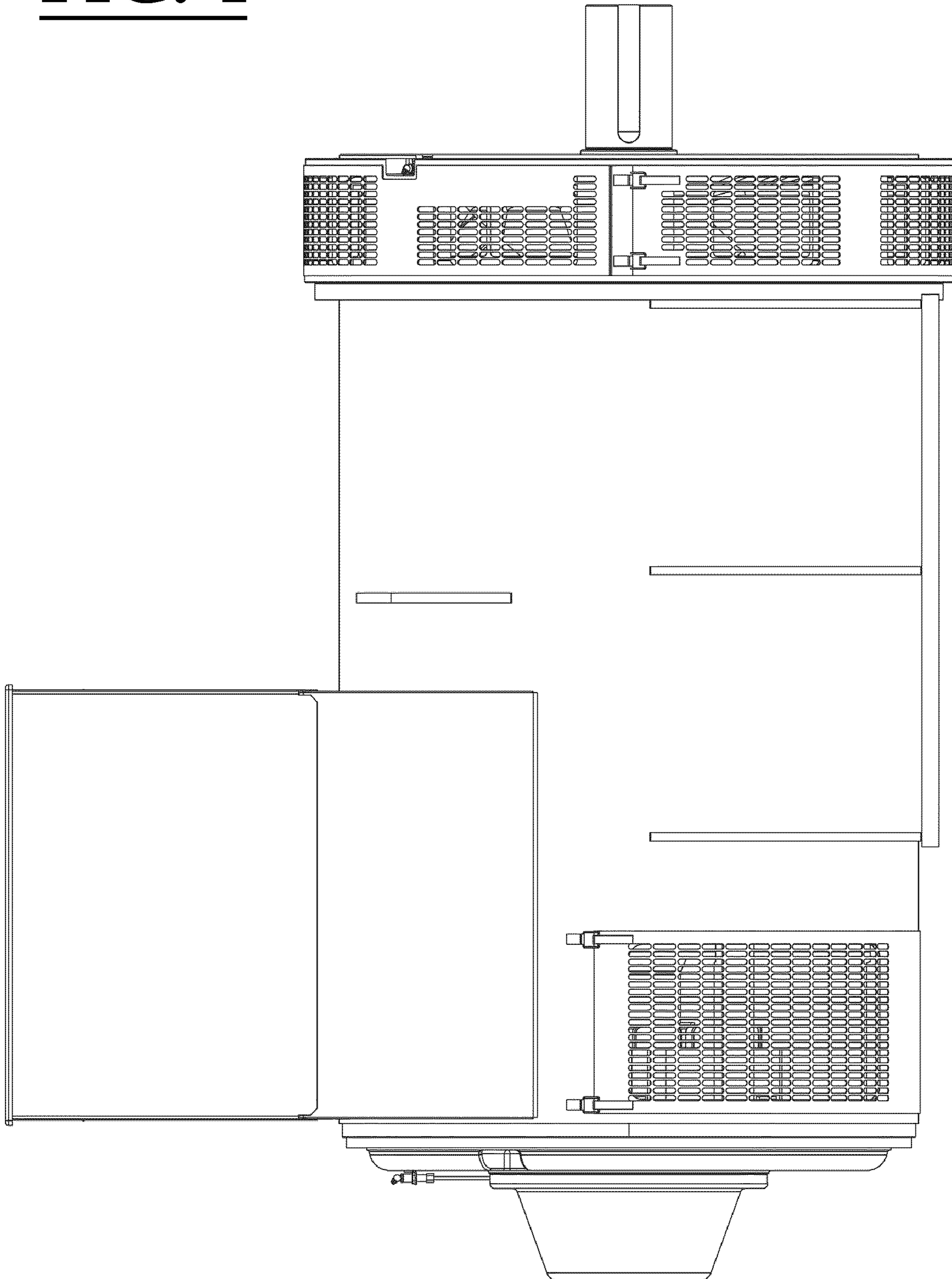


FIG. 5

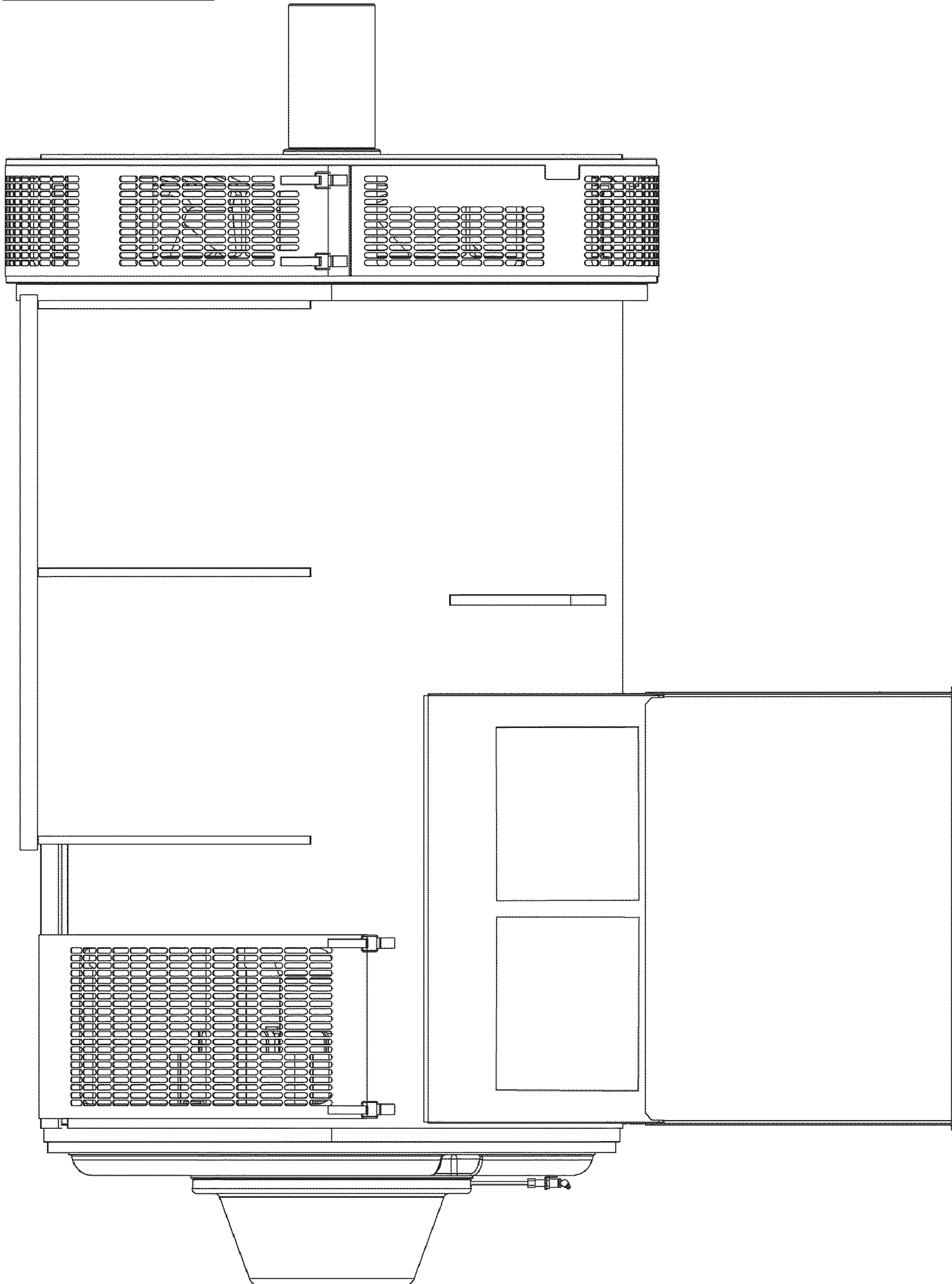


FIG. 6

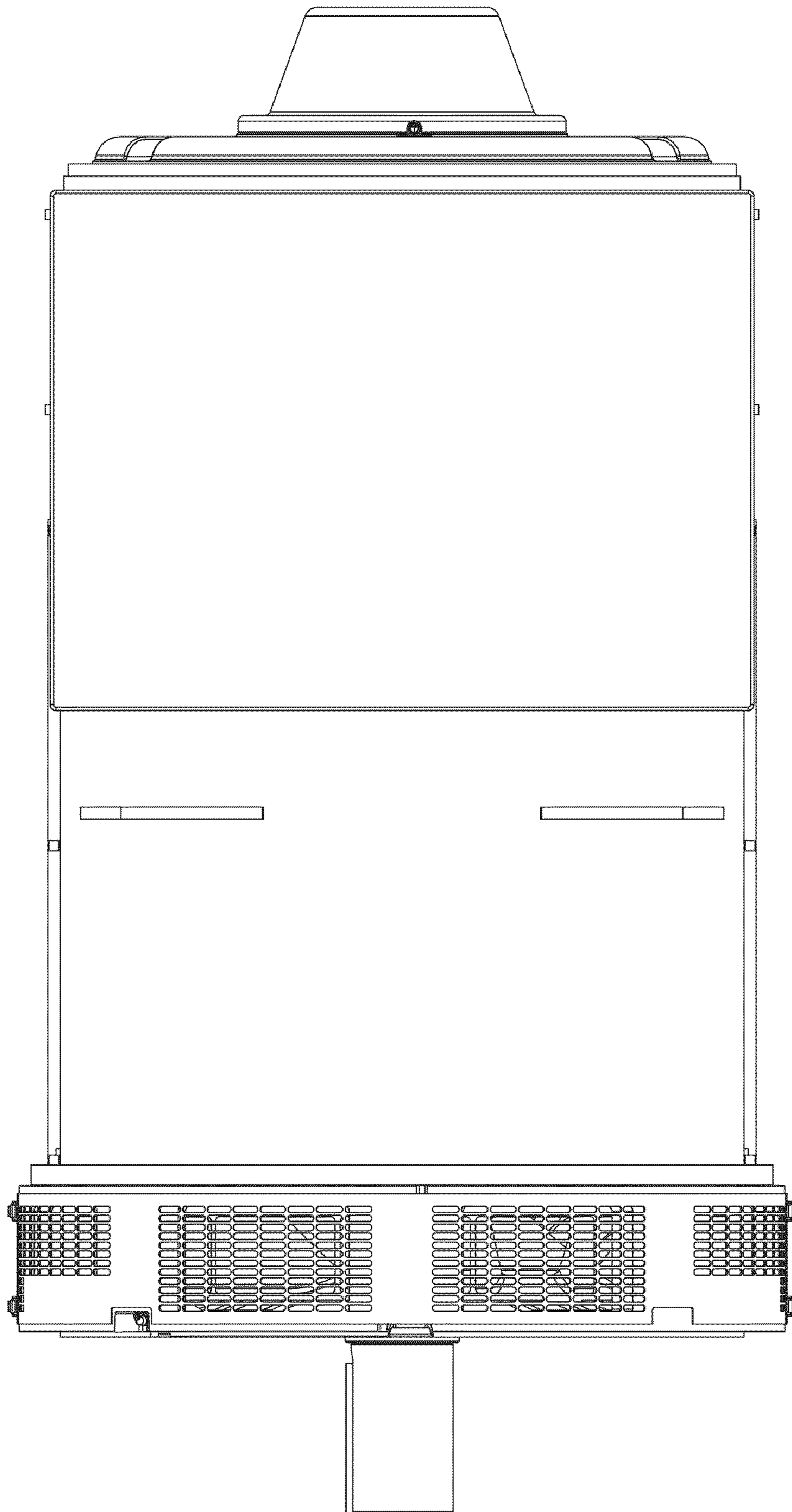


FIG. 7

