



US00D937775S

(12) **United States Design Patent** (10) **Patent No.:** **US D937,775 S**
Maloney et al. (45) **Date of Patent:** **** Dec. 7, 2021**

(54) **CHARGING STAND FOR A MOBILE DEVICE**

(71) Applicant: **Peak Design**, San Francisco, CA (US)

(72) Inventors: **Max Maloney**, San Francisco, CA (US); **Robb Jankura**, Boulder, CO (US); **Andrew Wheeler Gans**, San Francisco, CA (US); **Matthew Thomas James**, San Francisco, CA (US); **Arthur Viger**, San Francisco, CA (US)

(73) Assignee: **Peak Design**, San Francisco, CA (US)

(**) Term: **15 Years**

(21) Appl. No.: **29/778,082**

(22) Filed: **Apr. 9, 2021**

Related U.S. Application Data

(63) Continuation of application No. 17/067,612, filed on Oct. 9, 2020, which is a continuation-in-part of application No. 16/945,687, filed on Jul. 31, 2020.

(51) **LOC (13) Cl.** **13-02**

(52) **U.S. Cl.**
USPC **D13/108**

(58) **Field of Classification Search**
USPC D13/103, 107-110, 118-119, 184, 199;
D14/251, 253, 432, 434, 447; D6/682
CPC H02J 7/025; H02J 7/005; H02J 7/0026;
H02J 7/0042; H02J 7/0044; H02J 7/0045;
H02J 7/0013; H02J 7/0003; H02J 7/02;
H02J 50/10; H02J 50/12
See application file for complete search history.

(56) **References Cited**

U.S. PATENT DOCUMENTS

D601,959 S * 10/2009 Lee D13/119
D601,960 S * 10/2009 Dai D13/119
D607,817 S * 1/2010 Tan D13/108

(Continued)

Primary Examiner — Rosemary K Tarcza
(74) *Attorney, Agent, or Firm* — Grumbles Law PLLC;
Brittany Nanzig

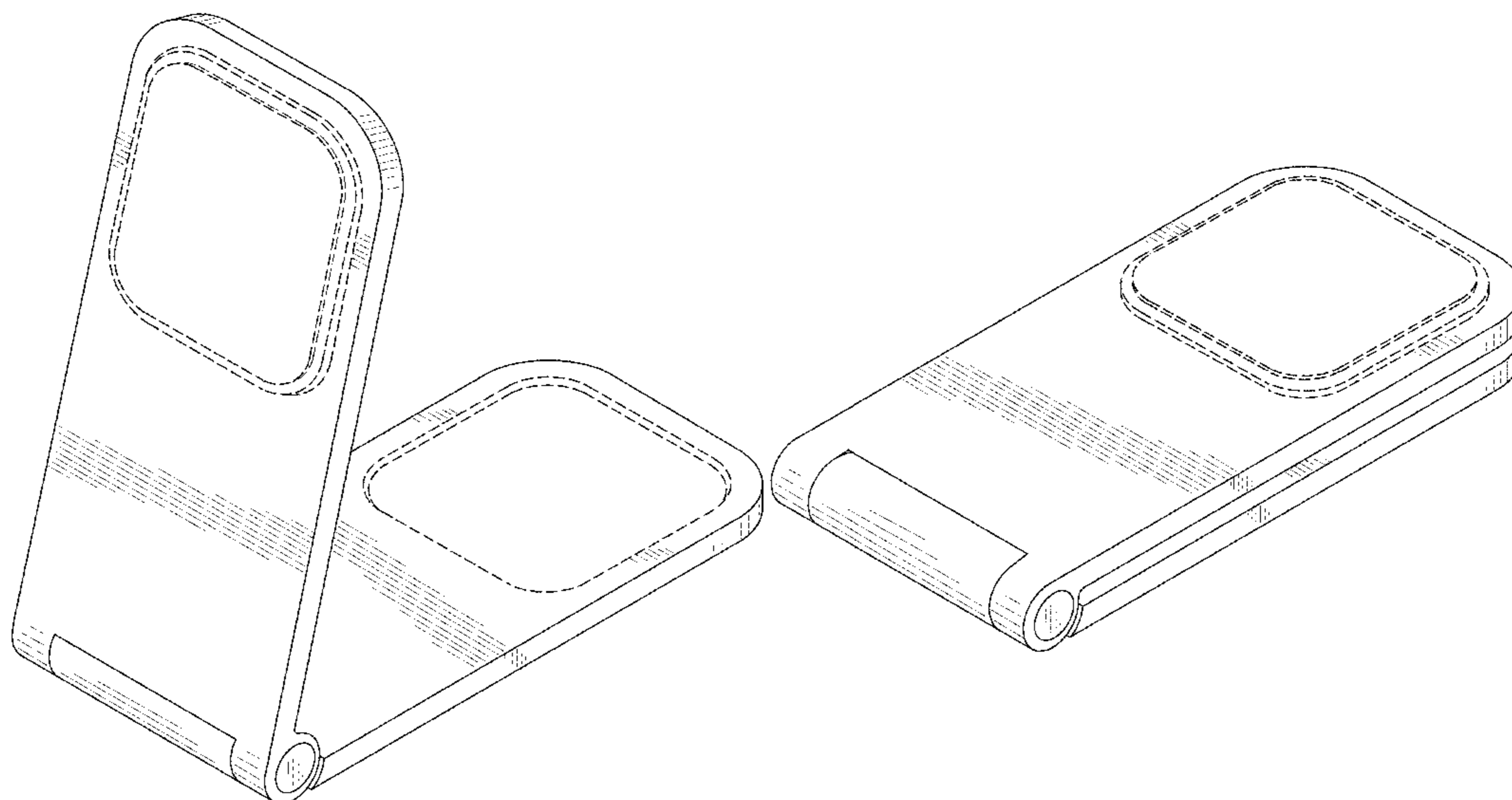
(57) **CLAIM**

The ornamental design for a charging stand for a mobile device, as shown and described.

DESCRIPTION

FIG. 1 is a front perspective view of a charging stand for a mobile device showing our new design.
FIG. 2 is a top plan view of the charging stand for a mobile device.
FIG. 3 is a bottom plan view of the charging stand for a mobile device.
FIG. 4 is a front elevational view of the charging stand for a mobile device.
FIG. 5 is a right side elevational view of the charging stand for a mobile device.
FIG. 6 is a left side elevational view of the charging stand for a mobile device.
FIG. 7 is a front perspective view of the charging stand for a mobile device in an alternate configuration.
FIG. 8 is a top plan view of the charging stand for a mobile device in the alternate configuration.
FIG. 9 is a bottom plan view of the charging stand for a mobile device in the alternate configuration.
FIG. 10 is a right side elevational view of the charging stand for a mobile device in the alternate configuration.
FIG. 11 is a left side elevational view of the charging stand for a mobile device in the alternate configuration.
FIG. 12 is a front elevational view of the charging stand for a mobile device in the alternate configuration; and,
FIG. 13 is a rear elevational view of the charging stand for a mobile device in the alternate configuration.
The broken lines in the drawings are for the purposes of depicting parts of the charging stand for a mobile device that form no part of the claimed design.

1 Claim, 8 Drawing Sheets



(56)

References Cited

U.S. PATENT DOCUMENTS

D611,407	S *	3/2010	Webb	D13/108
D637,952	S *	5/2011	Tan	D13/108
D674,337	S *	1/2013	Au Yeung	D13/108
8,830,663	B2	9/2014	Child et al.	
9,331,444	B2	5/2016	Carnevali	
D772,812	S *	11/2016	Choe	D13/108
D804,413	S	12/2017	McSweyn et al.	
D859,308	S	9/2019	Connell et al.	
D863,291	S *	10/2019	Shi	D14/253
10,505,392	B2	12/2019	McSweyn et al.	
D875,677	S *	2/2020	Shi	D13/108
D893,415	S	8/2020	McSweyn et al.	
D896,174	S *	9/2020	Li	D13/108
D896,816	S *	9/2020	Qiu	D14/434
D897,953	S *	10/2020	Chen	D13/108
D908,621	S *	1/2021	Akana	D13/108
D913,919	S *	3/2021	Wang	D13/108
D915,276	S *	4/2021	Peng	D13/108
2011/0192857	A1	8/2011	Rothbaum et al.	
2014/0355200	A1	12/2014	Thiers	
2016/0134142	A1	5/2016	Murphy	
2018/0032104	A1	2/2018	Schatz et al.	

* cited by examiner

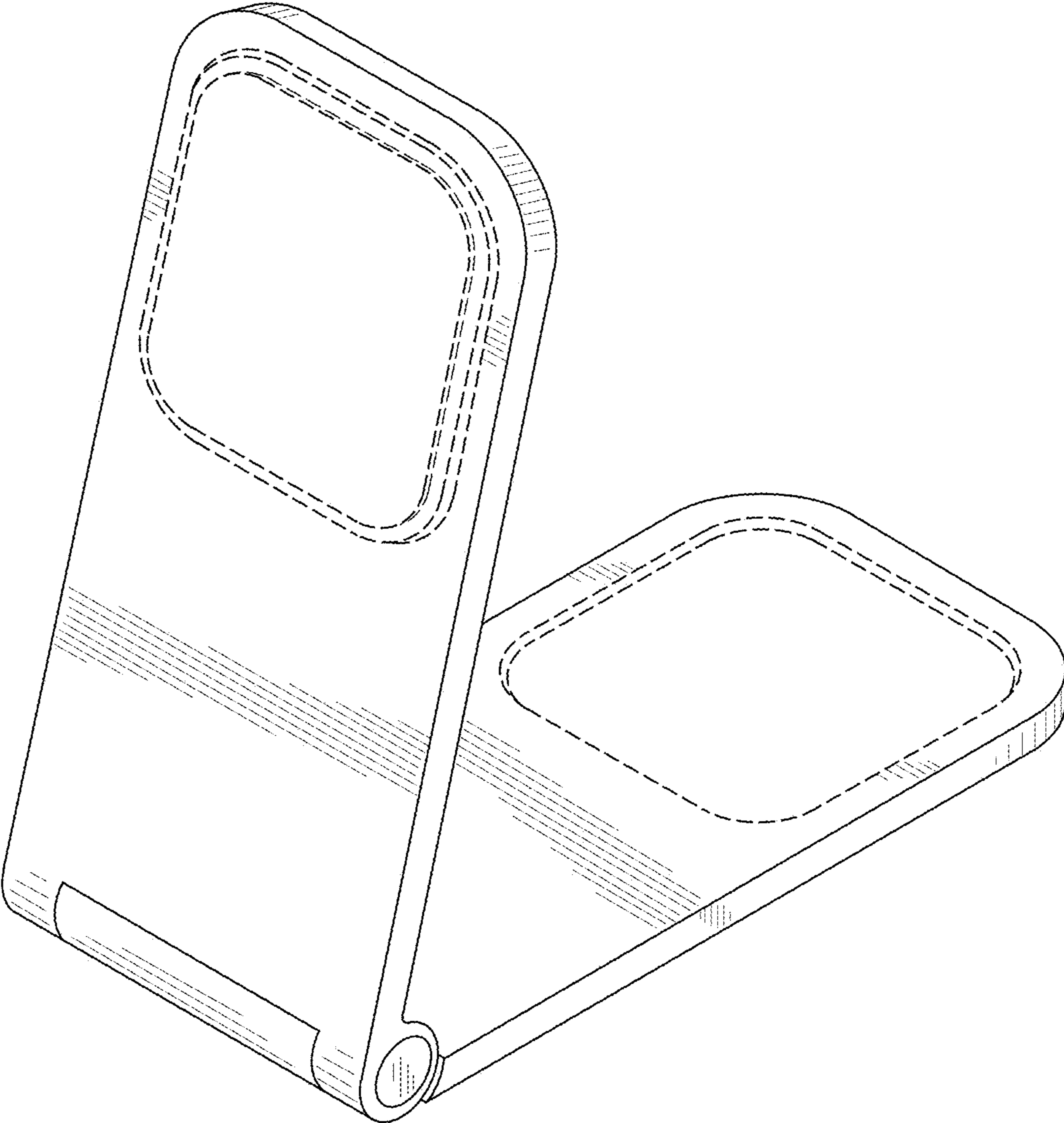


FIG. 1

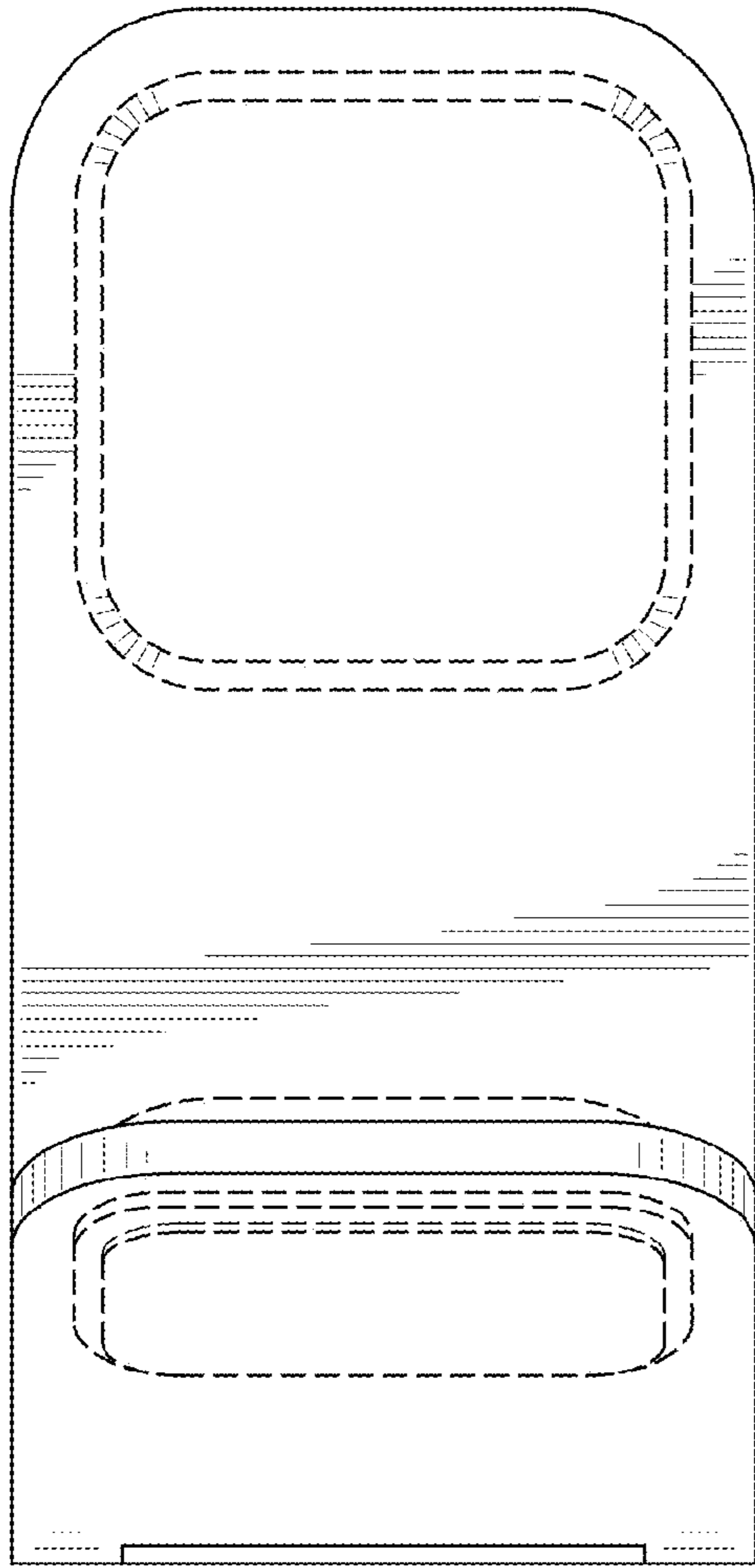


FIG. 2

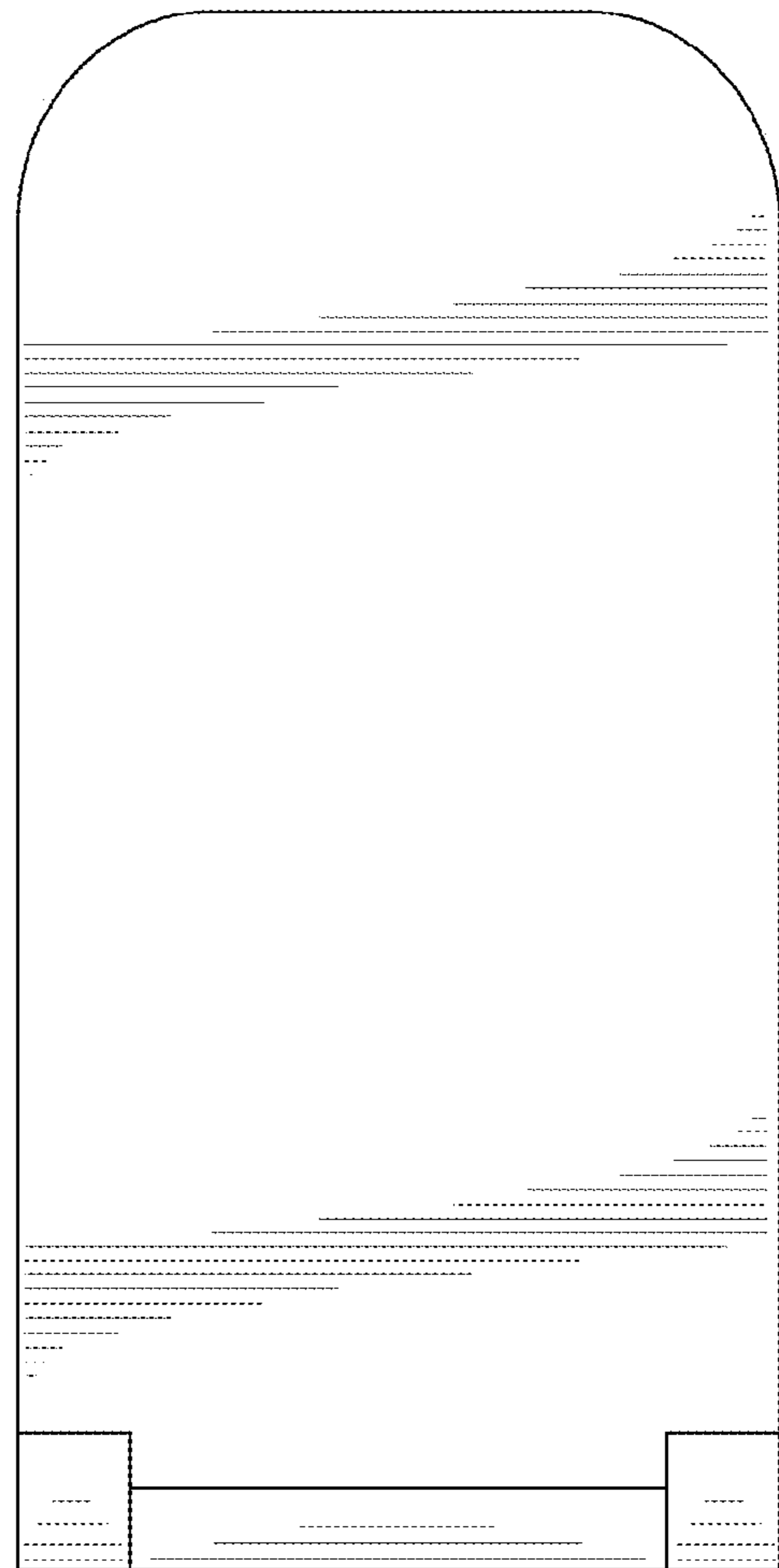


FIG. 3

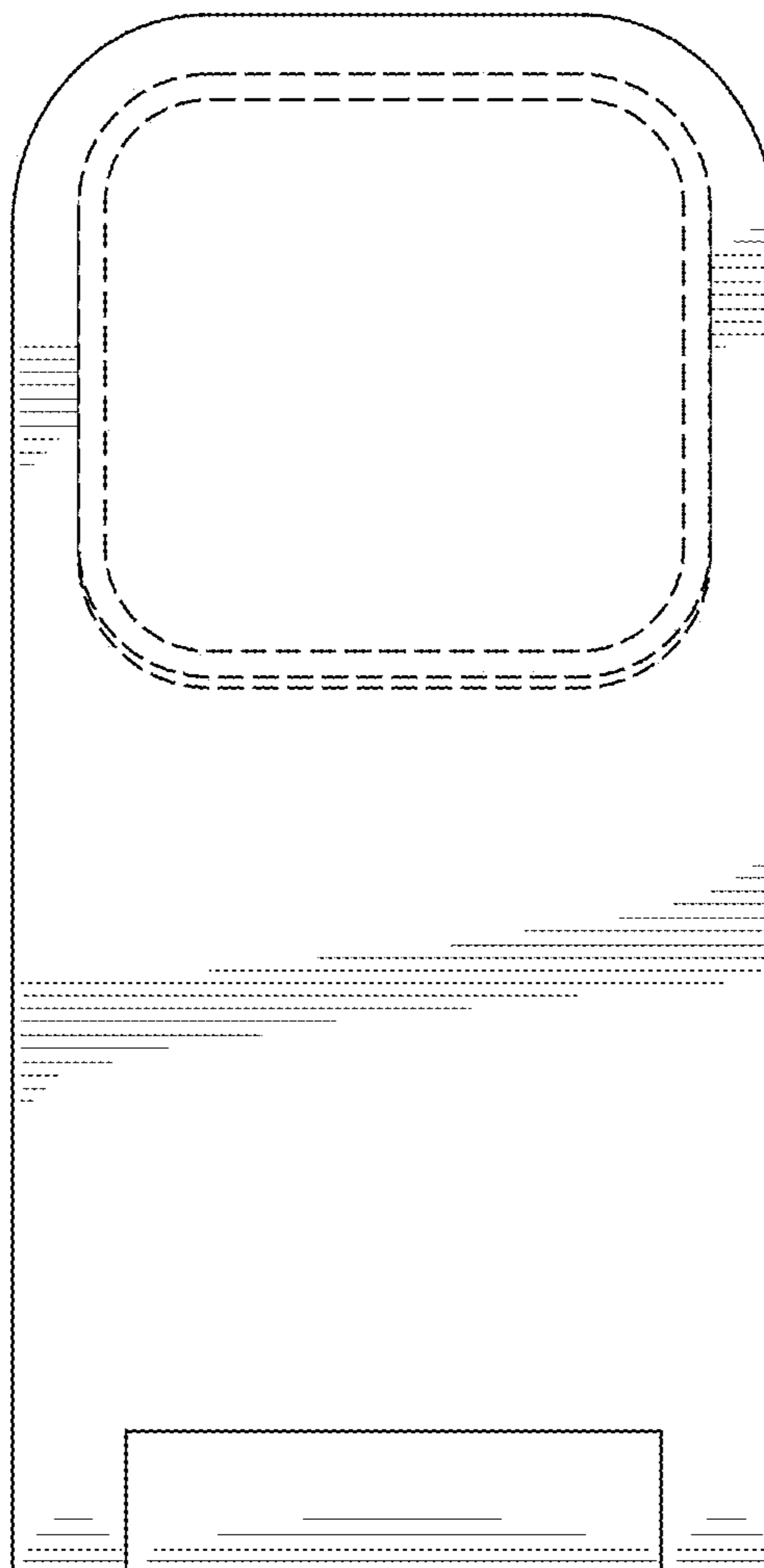


FIG. 4

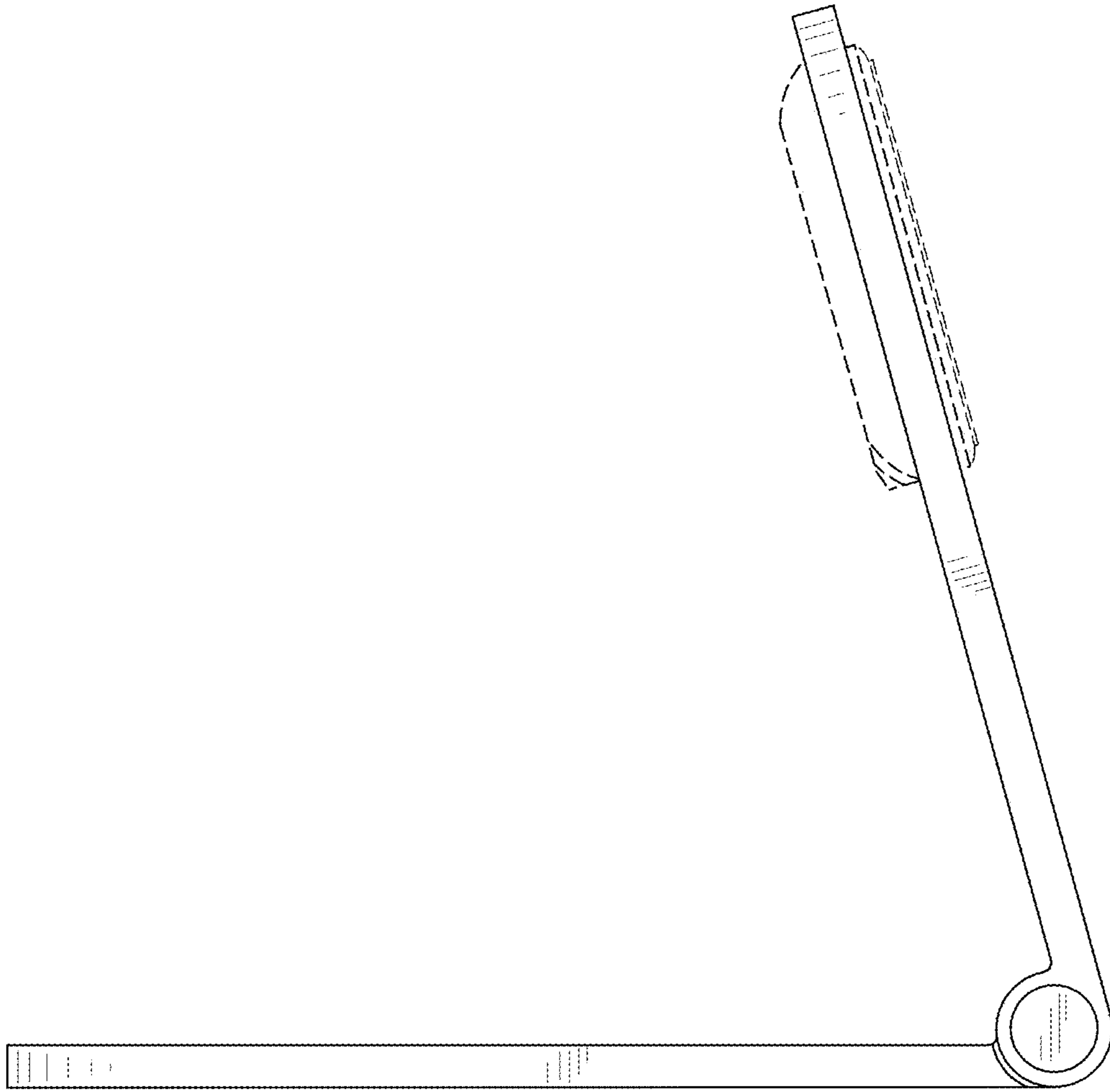


FIG. 5

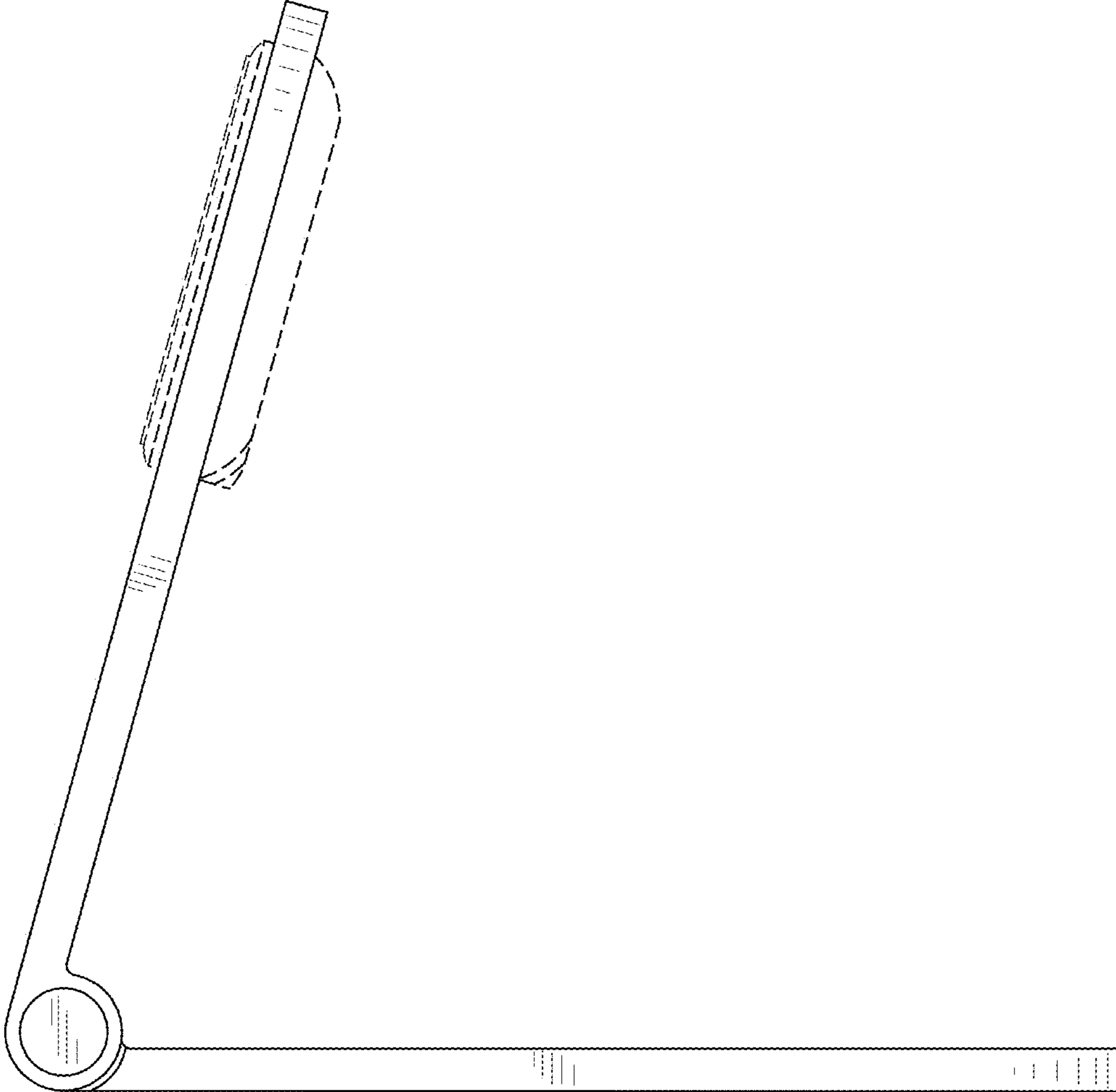


FIG. 6

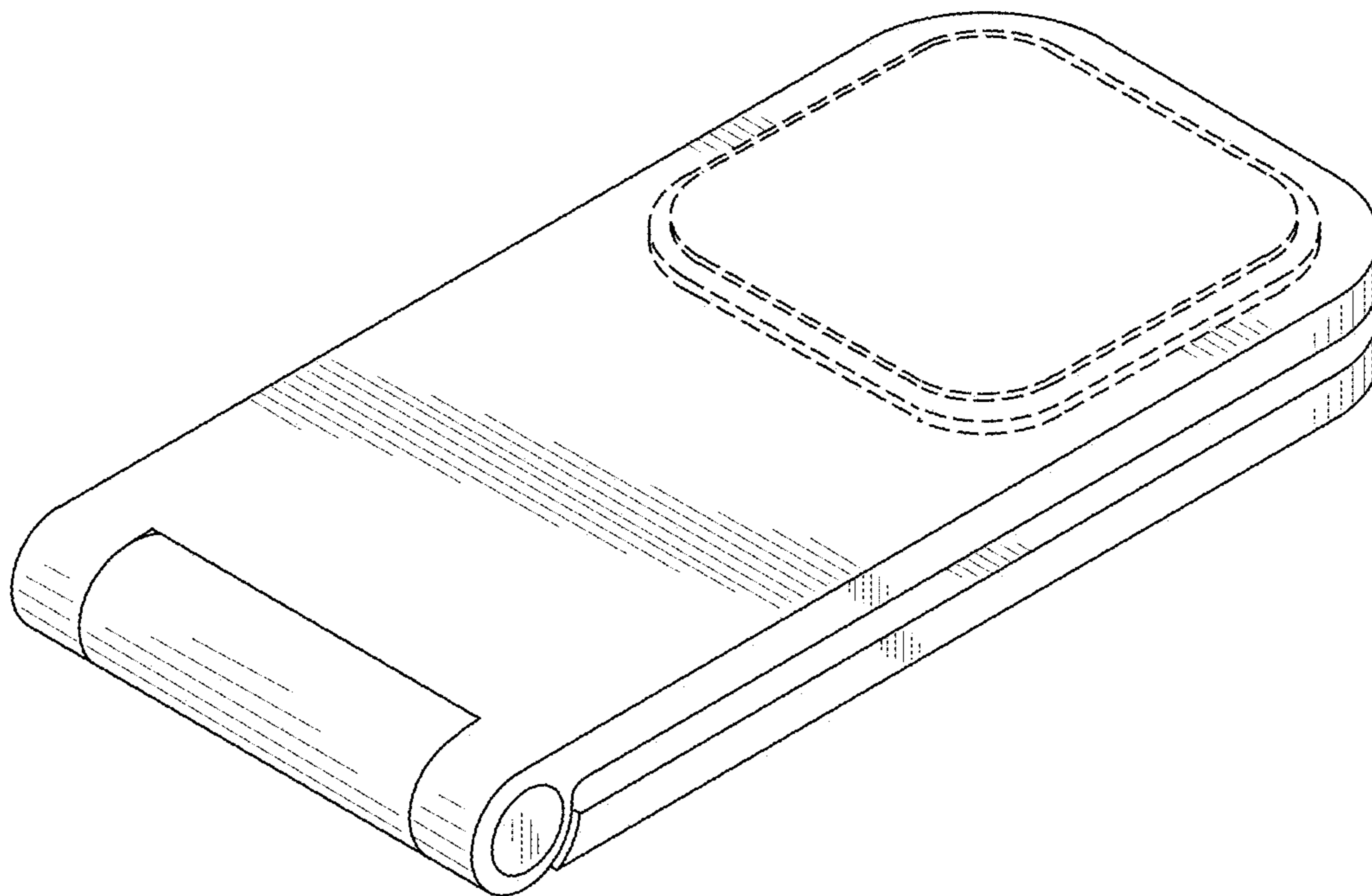


FIG. 7

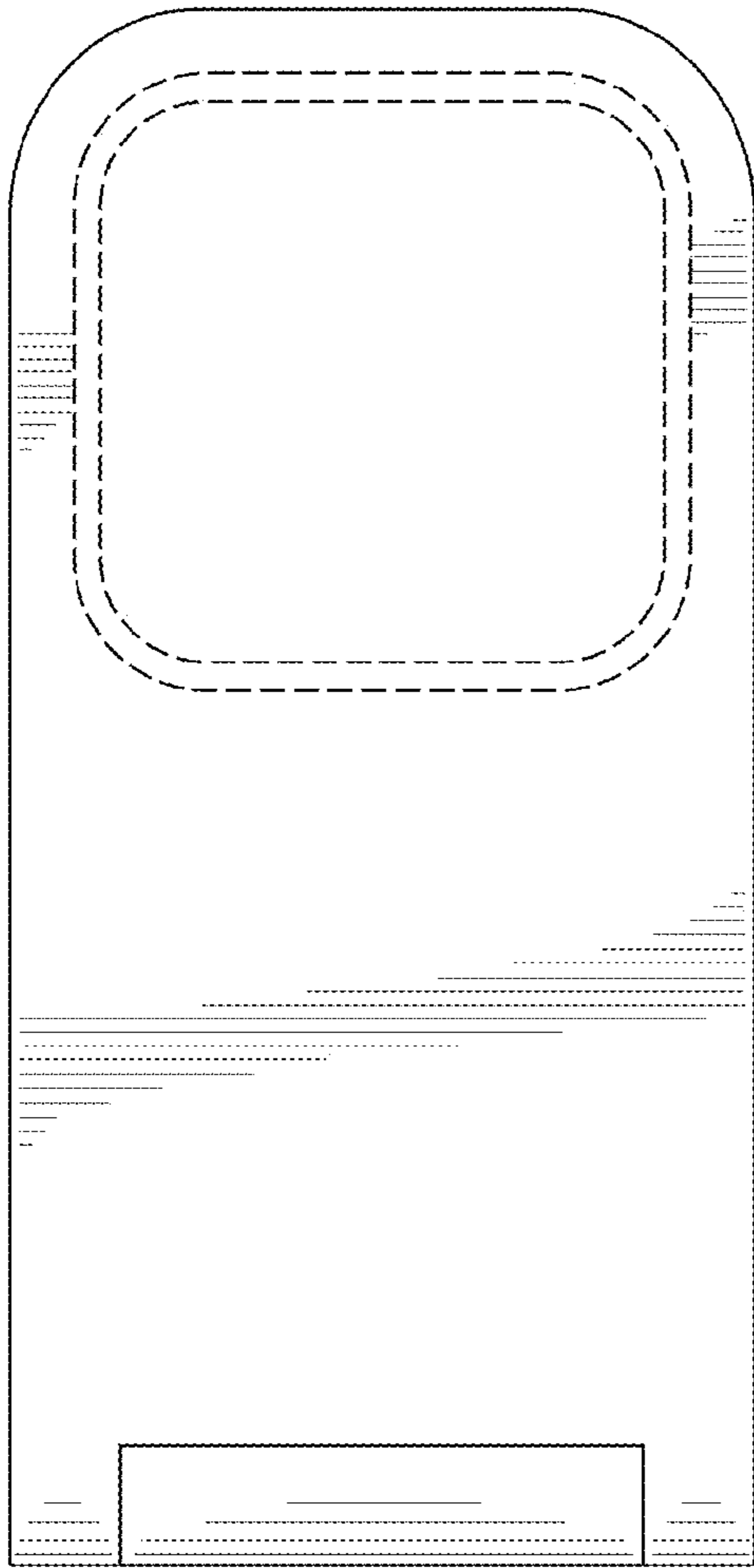


FIG. 8

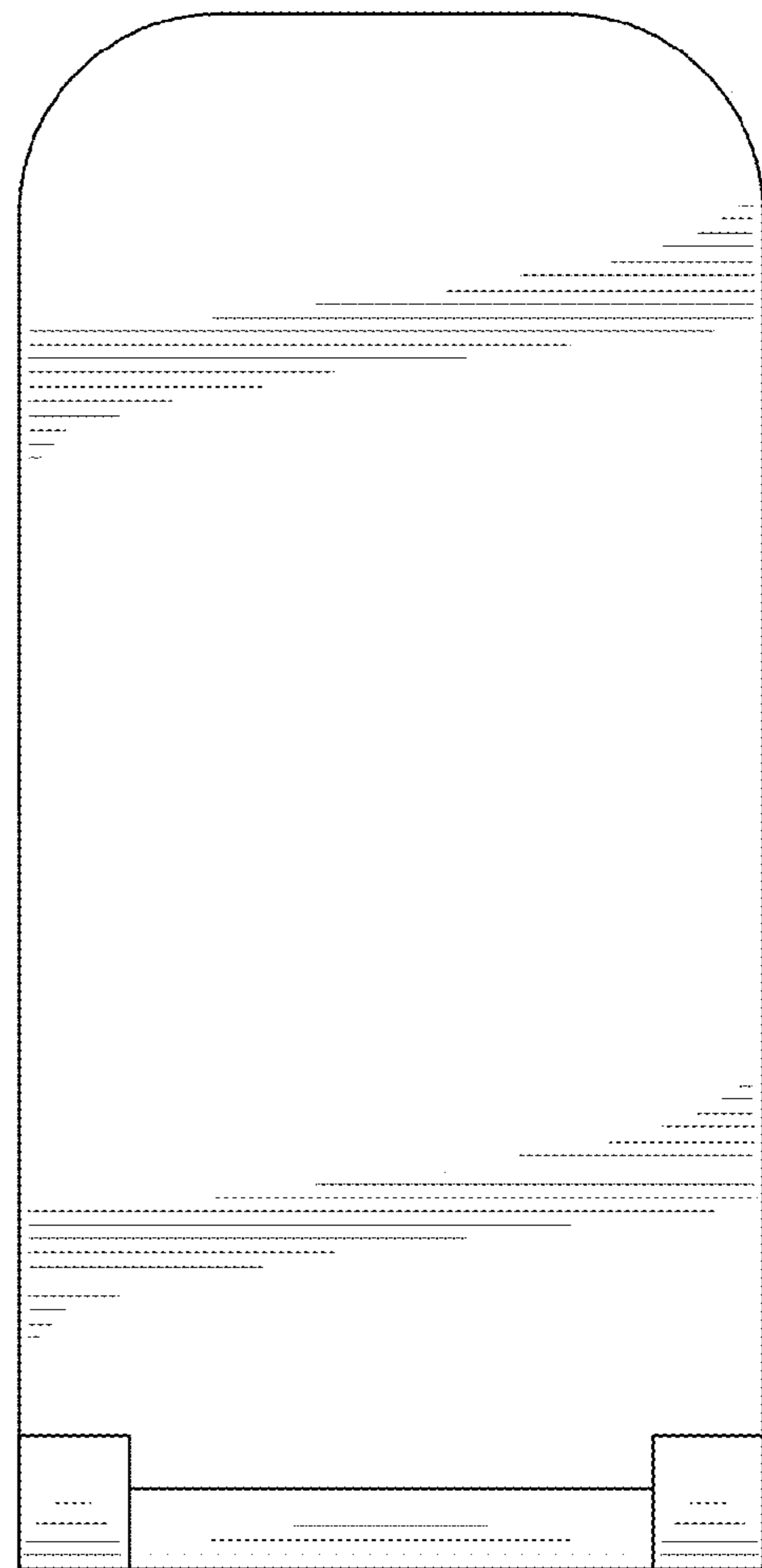


FIG. 9

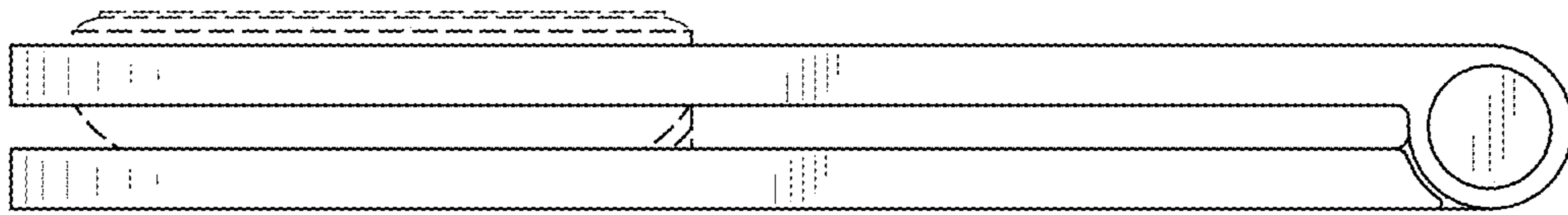


FIG. 10

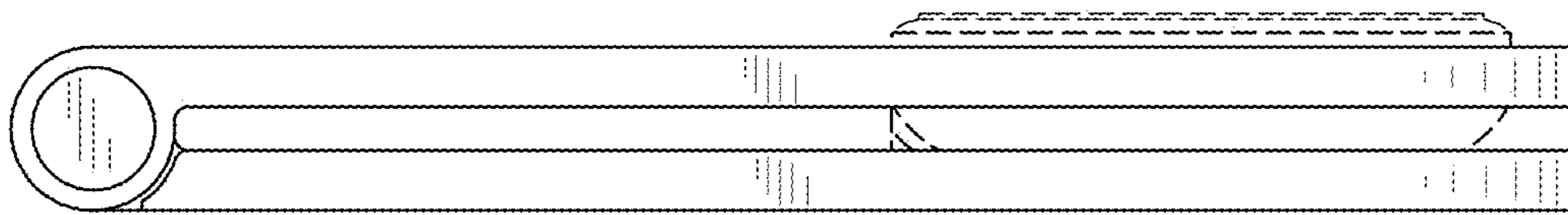


FIG. 11

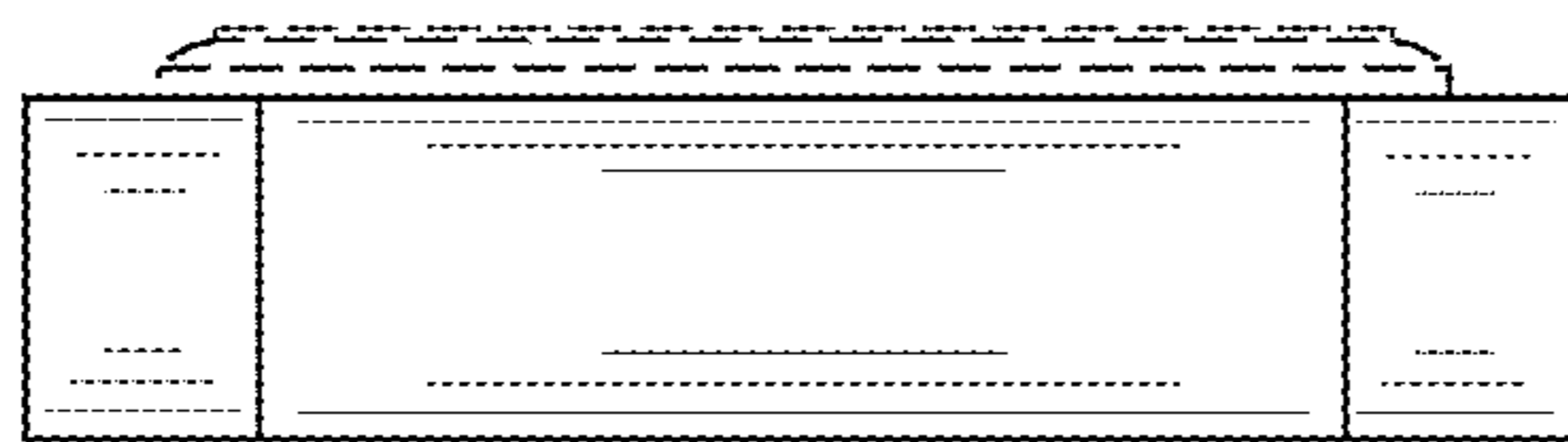


FIG. 12

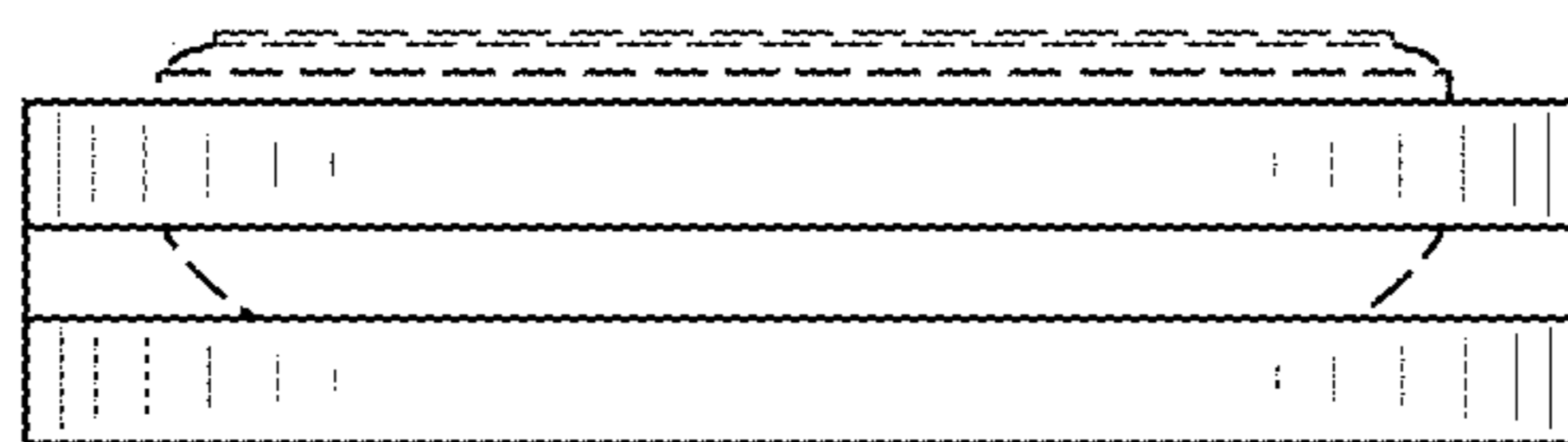


FIG. 13