



US00D937774S

(12) **United States Design Patent**  
**Fernando**

(10) **Patent No.:** **US D937,774 S**  
(45) **Date of Patent:** **\*\* Dec. 7, 2021**

- (54) **EARPIECE CHARGER**
- (71) Applicant: **OXIWEAR, INC.**, Arlington, VA (US)
- (72) Inventor: **Shavini Fernando**, Arlington, VA (US)
- (73) Assignee: **OXIWEAR, INC.**, Arlington, VA (US)
- (\*\*) Term: **15 Years**
- (21) Appl. No.: **29/774,172**
- (22) Filed: **Mar. 15, 2021**

D257,930 S \* 1/1981 Conti ..... D7/629  
 D281,033 S \* 10/1985 Mohri ..... D3/295  
 D309,690 S \* 8/1990 Carlson ..... D7/538

(Continued)

**FOREIGN PATENT DOCUMENTS**

EM 008324552-0001 \* 12/2020  
 IN 329425-001-0001 \* 5/2020

*Primary Examiner* — Paula Allen Greene  
 (74) *Attorney, Agent, or Firm* — Cooley LLP

(57) **CLAIM**

The ornamental design for an earpiece charger, as shown and described.

**DESCRIPTION**

FIG. 1 is a front view of the new design for an earpiece charger, the design showing the earpiece charger in a closed configuration;  
 FIG. 2 is a rear view thereof, in the closed configuration;  
 FIG. 3 is a bottom view thereof, in the closed configuration;  
 FIG. 4 is a top view thereof, in the closed configuration;  
 FIG. 5 is a left side view thereof, in the closed configuration;  
 FIG. 6 is a right side view thereof, in the closed configuration;  
 FIG. 7 is a perspective view thereof, in the closed configuration;  
 FIG. 8 is a front view thereof, in an open configuration;  
 FIG. 9 is a rear view thereof, in the open configuration;  
 FIG. 10 is a top view thereof, in the open configuration;  
 FIG. 11 is a bottom view thereof, in the open configuration;  
 FIG. 12 is a right side view thereof, in the open configuration;  
 FIG. 13 is a left side view thereof, in the open configuration;  
 FIG. 14 is a first perspective view thereof, in the open configuration; and,  
 FIG. 15 is a second perspective view thereof, in the open configuration.

**Related U.S. Application Data**

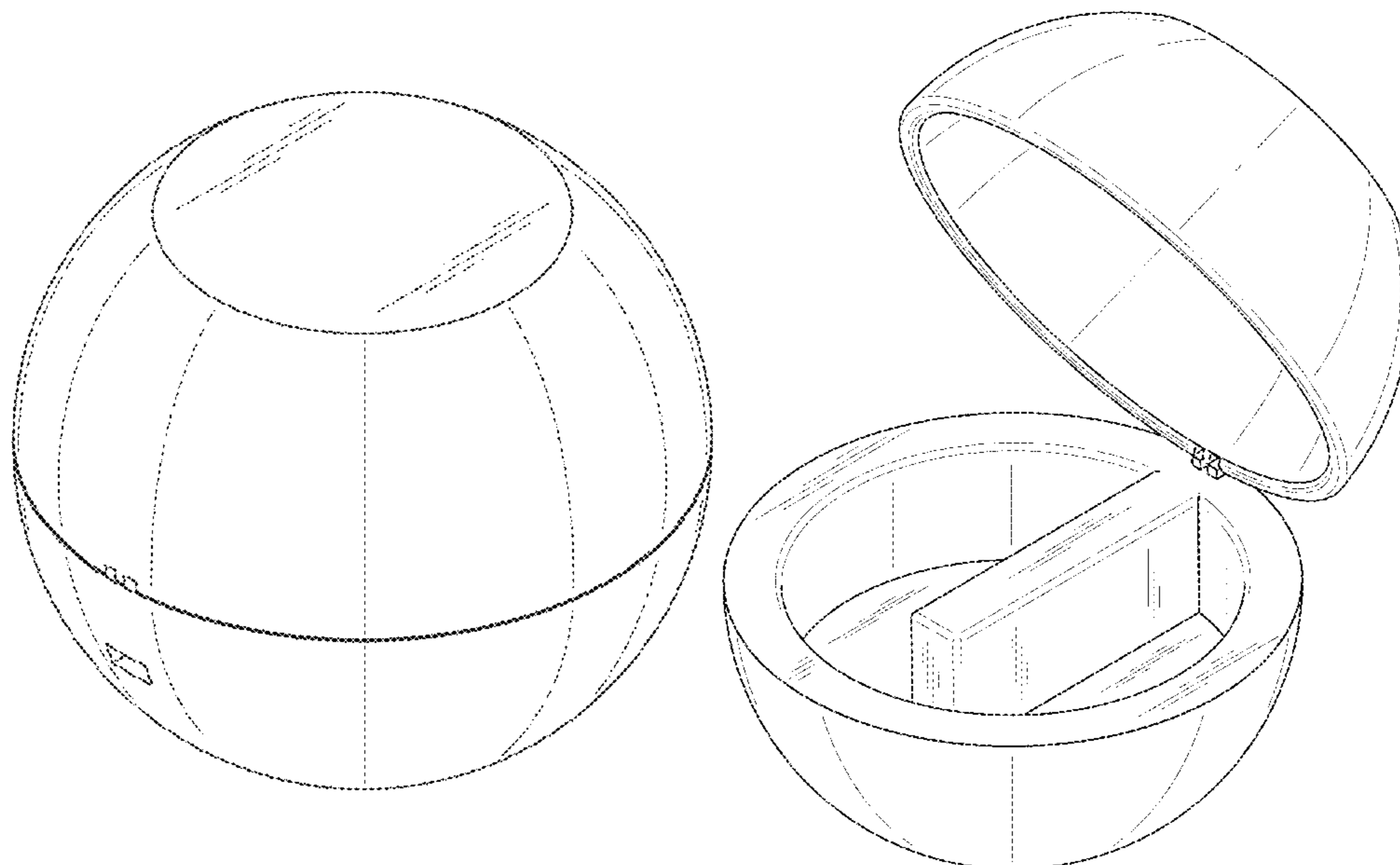
- (62) Division of application No. 29/695,171, filed on Jun. 17, 2019, now Pat. No. Des. 916,291.
- (51) **LOC (13) Cl.** ..... **13-02**
- (52) **U.S. Cl.**  
USPC ..... **D13/108**; D14/223
- (58) **Field of Classification Search**  
USPC ..... D14/223, 205; D24/169; D9/415, 414, D9/424, 924, 420; D7/629, 391; D28/76; D13/108; 455/90.3, 575.1, 455/569.1  
CPC ..... H04R 1/10; H04R 25/00; H04R 1/1016; H04R 1/1066; H04R 5/033; H04R 5/0335; H02J 7/0068; H02J 7/0045  
See application file for complete search history.

(56) **References Cited**

**U.S. PATENT DOCUMENTS**

1,625,114 A \* 4/1927 Coryell ..... A45D 33/006  
132/305  
3,043,354 A \* 7/1962 Fitzgerald ..... B65D 25/04  
220/4.23  
3,876,130 A \* 4/1975 Haase ..... B65D 1/36  
229/406

**1 Claim, 15 Drawing Sheets**



(56)

References Cited

U.S. PATENT DOCUMENTS

D333,560 S \* 3/1993 Miyashita ..... D3/218  
 D335,085 S \* 4/1993 Wacker ..... D7/538  
 D337,177 S \* 7/1993 Tiramani ..... D28/76  
 5,887,720 A \* 3/1999 Lin ..... H04R 1/10  
 206/702  
 D459,299 S \* 6/2002 Hughes ..... D13/108  
 D483,014 S \* 12/2003 Hsiao ..... D13/107  
 D516,025 S \* 2/2006 Quinn ..... D13/108  
 D518,477 S \* 4/2006 Chen ..... D14/205  
 D551,216 S \* 9/2007 Wei ..... D14/223  
 D552,087 S \* 10/2007 Wei ..... D14/223  
 D553,077 S \* 10/2007 Kim ..... D13/108  
 7,557,533 B2 \* 7/2009 Yang ..... H02J 7/0042  
 320/107  
 7,746,028 B1 \* 6/2010 Yang ..... H04M 1/05  
 320/107  
 D635,961 S \* 4/2011 Gidden ..... D14/223  
 D648,470 S \* 11/2011 Rains ..... D26/60

D671,096 S \* 11/2012 Song ..... D14/223  
 8,655,005 B2 \* 2/2014 Birger ..... H04R 1/1091  
 381/381  
 D851,035 S \* 6/2019 Hong ..... D13/108  
 D851,913 S \* 6/2019 Yu ..... D3/201  
 D865,663 S \* 11/2019 Yao ..... D13/108  
 D871,069 S \* 12/2019 Carlson ..... D3/294  
 D881,810 S \* 4/2020 Zhang ..... D13/108  
 D886,455 S \* 6/2020 Williamson ..... D3/294  
 D888,664 S \* 6/2020 Ma ..... D13/108  
 D902,856 S \* 11/2020 Klein ..... D13/108  
 D913,223 S \* 3/2021 Li ..... D13/108  
 D916,291 S \* 4/2021 Fernando ..... D24/169  
 2006/0258412 A1 \* 11/2006 Liu ..... H02J 7/0044  
 455/575.2  
 2020/0110569 A1 \* 4/2020 Deng ..... H04S 1/007  
 2020/0162807 A1 \* 5/2020 Lim ..... H01R 13/6205  
 2020/0196042 A1 \* 6/2020 Cai ..... H04R 1/1025  
 2020/0216228 A1 \* 7/2020 Wang ..... B65D 25/04  
 2020/0304899 A1 \* 9/2020 Cramer ..... A45C 11/00  
 2020/0321791 A1 \* 10/2020 Rugolo ..... H04R 1/1025

\* cited by examiner

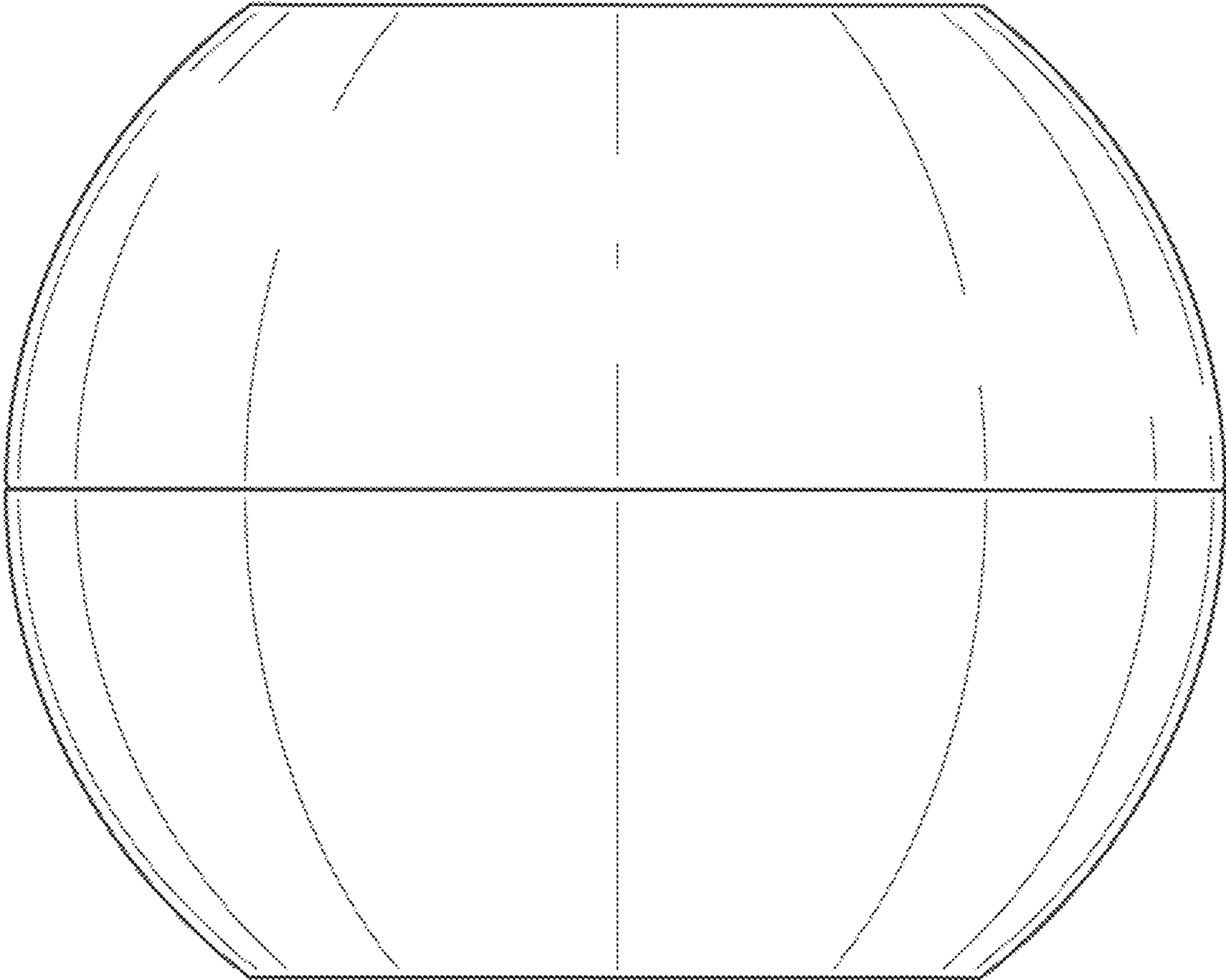


FIG. 1

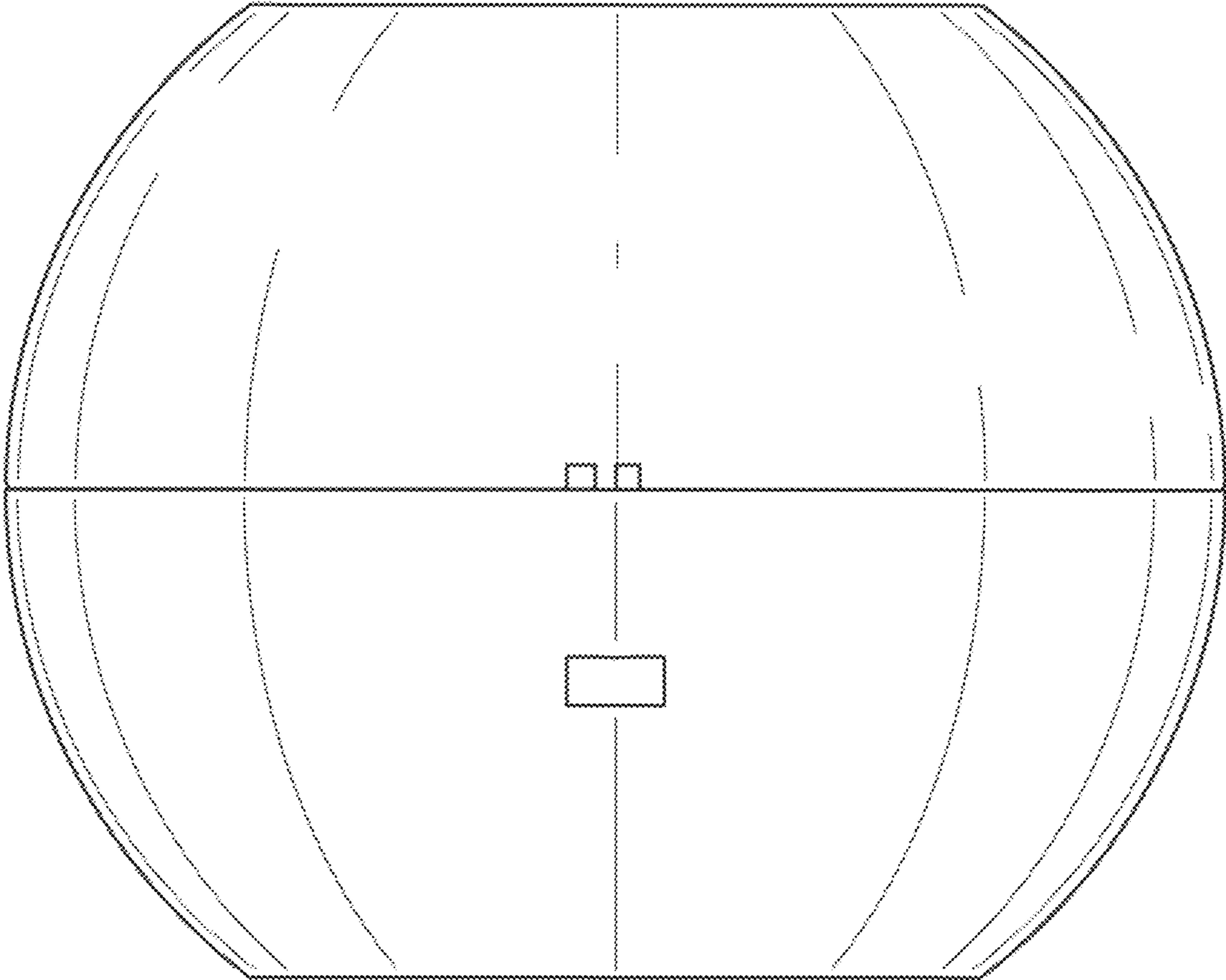


FIG. 2



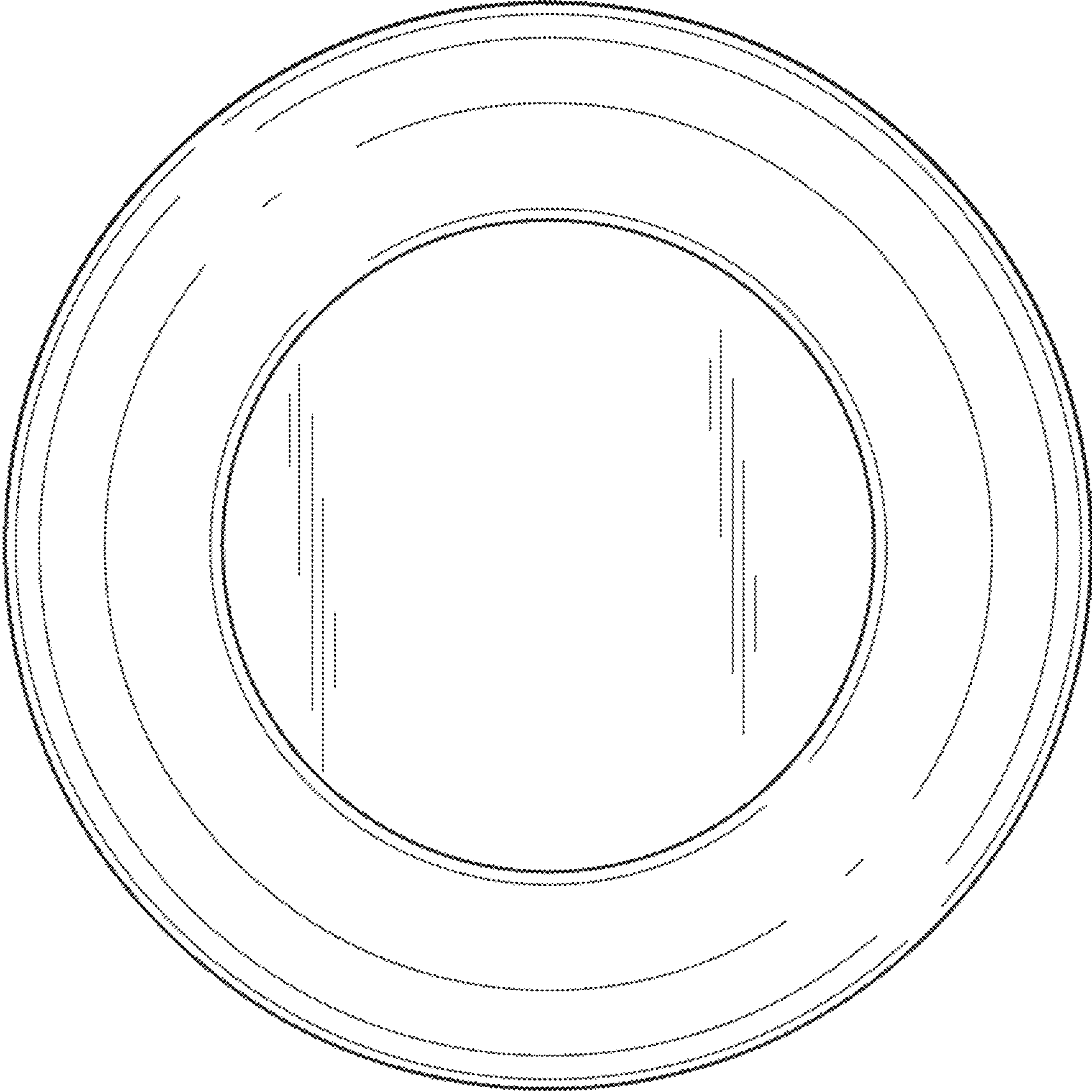


FIG. 3

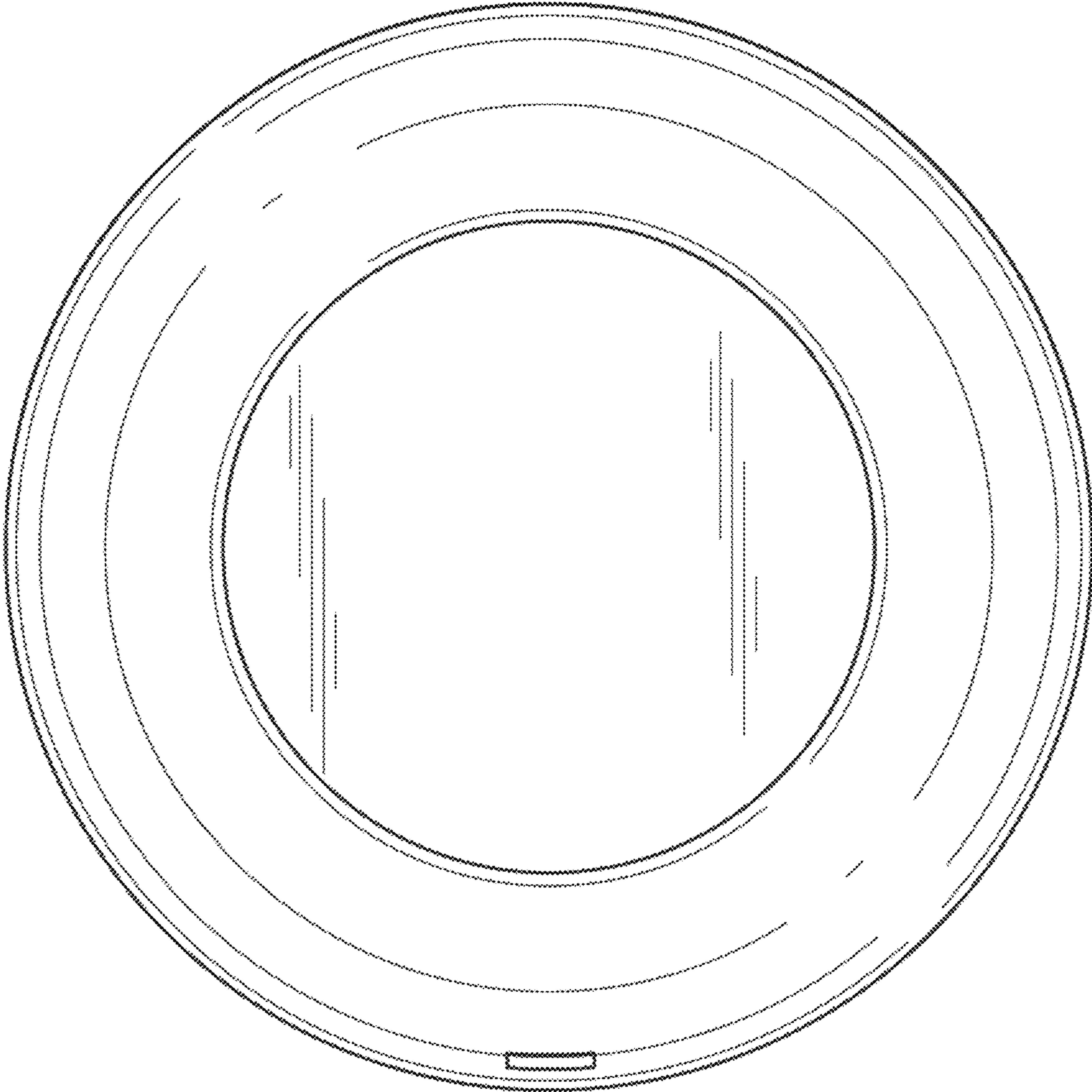


FIG. 4

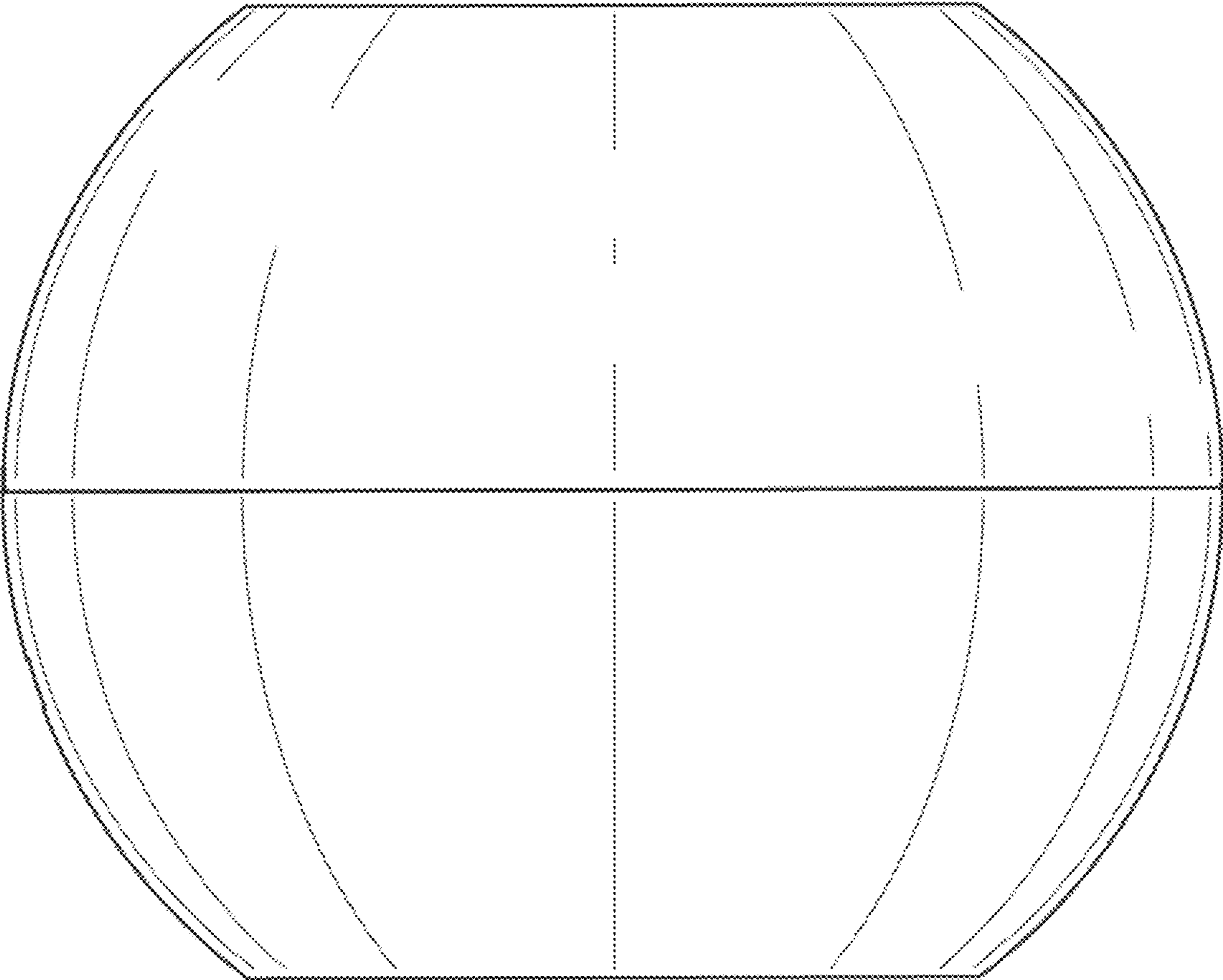


FIG. 5

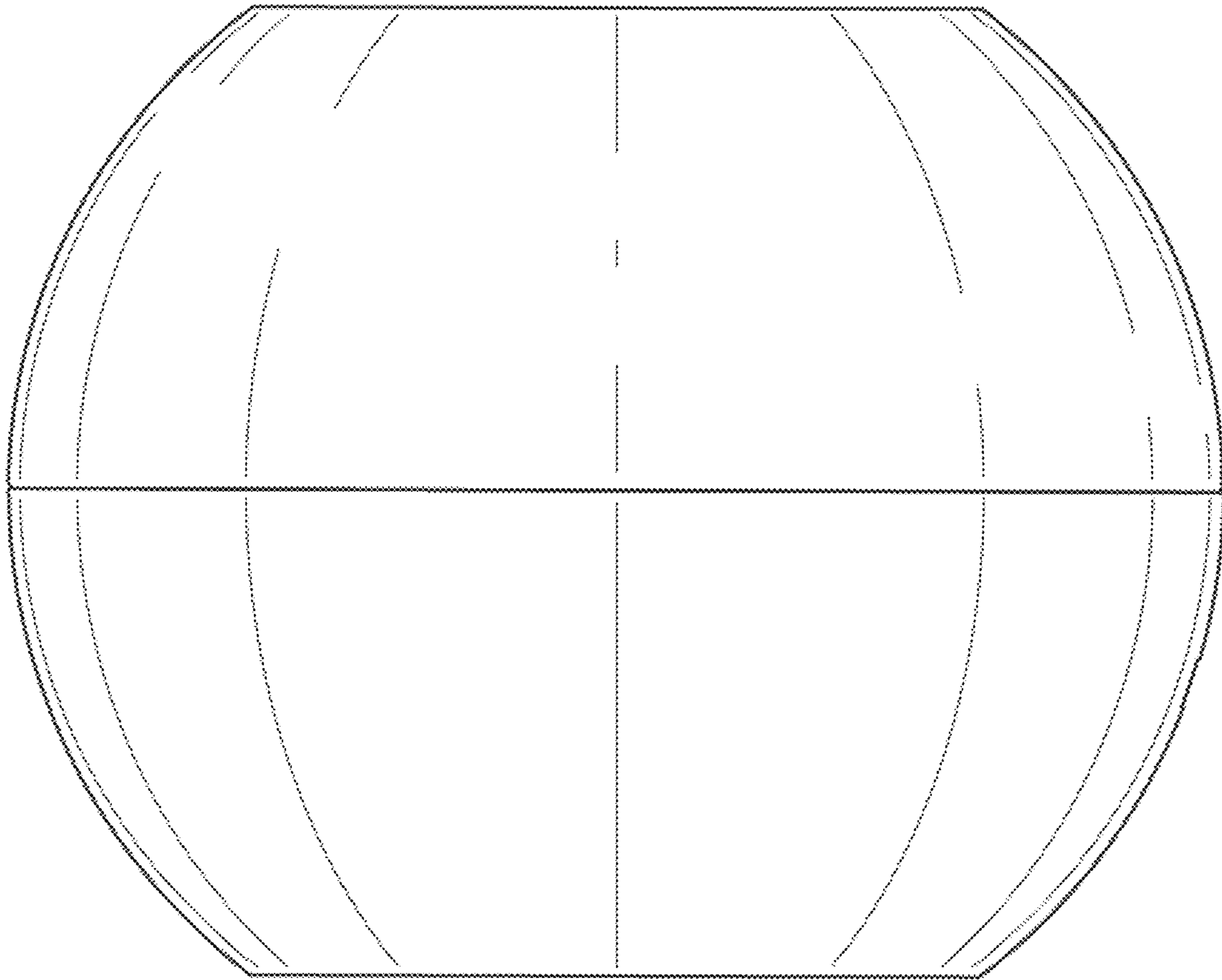


FIG. 6



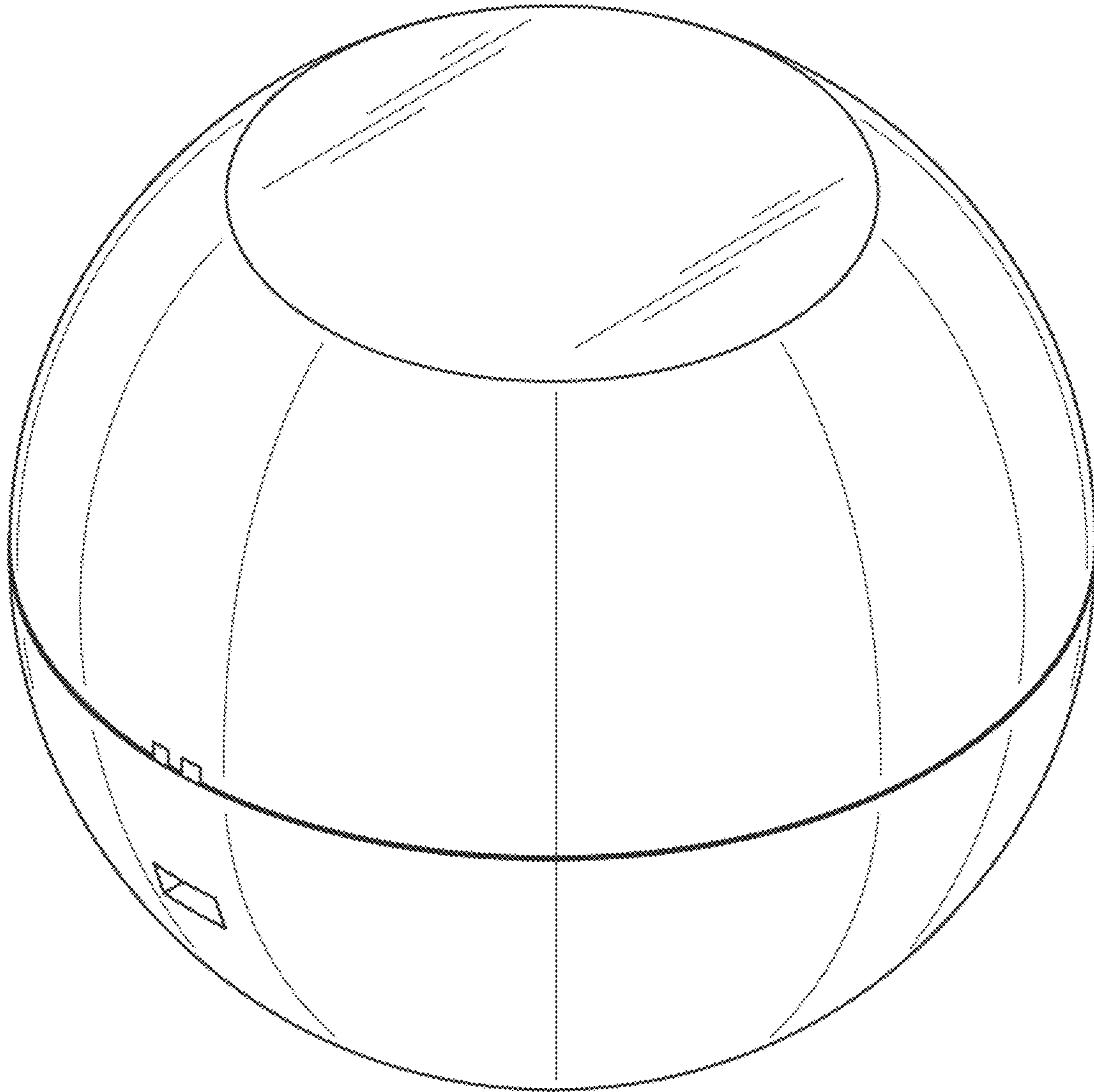


FIG. 7

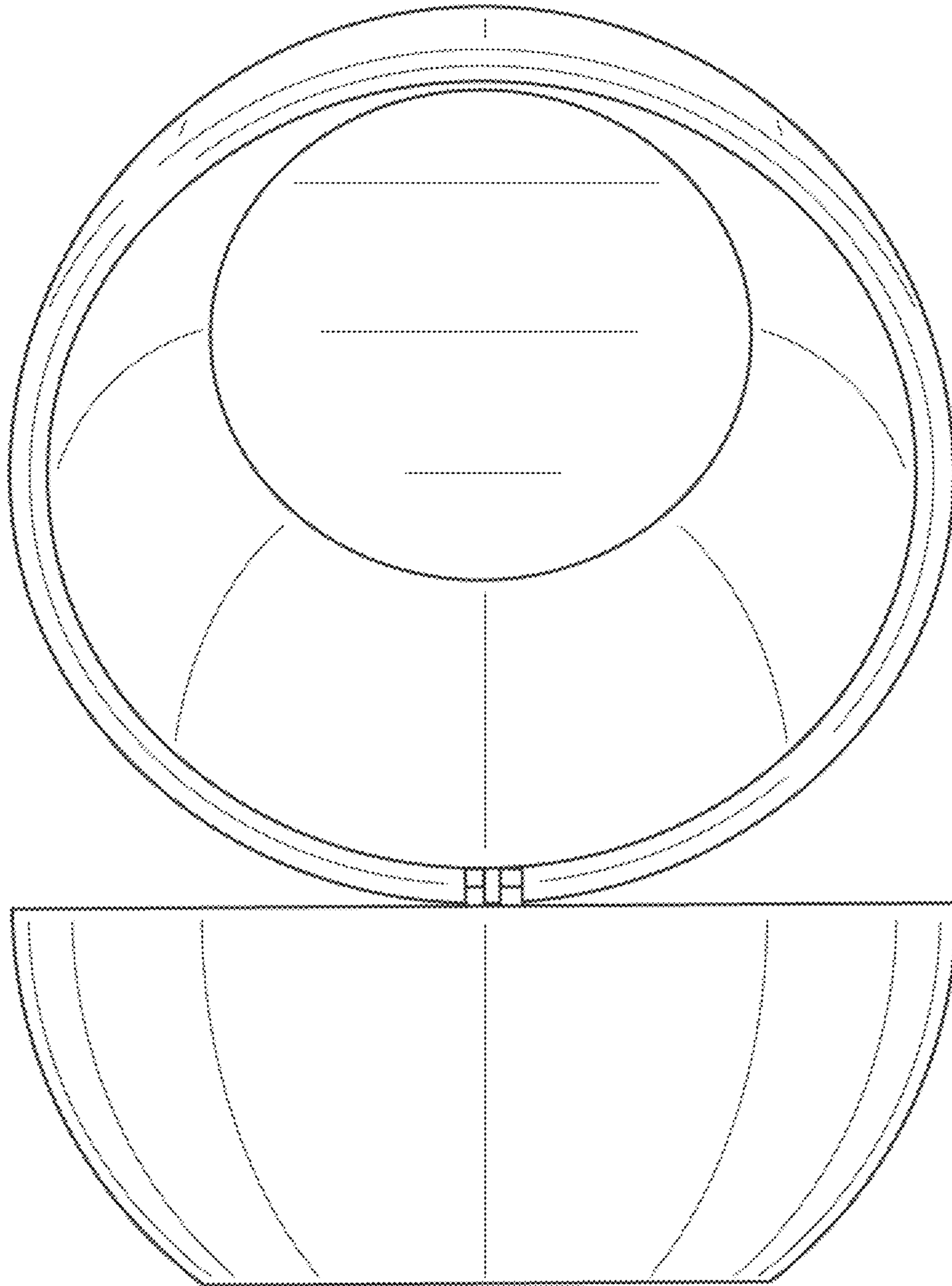


FIG. 8

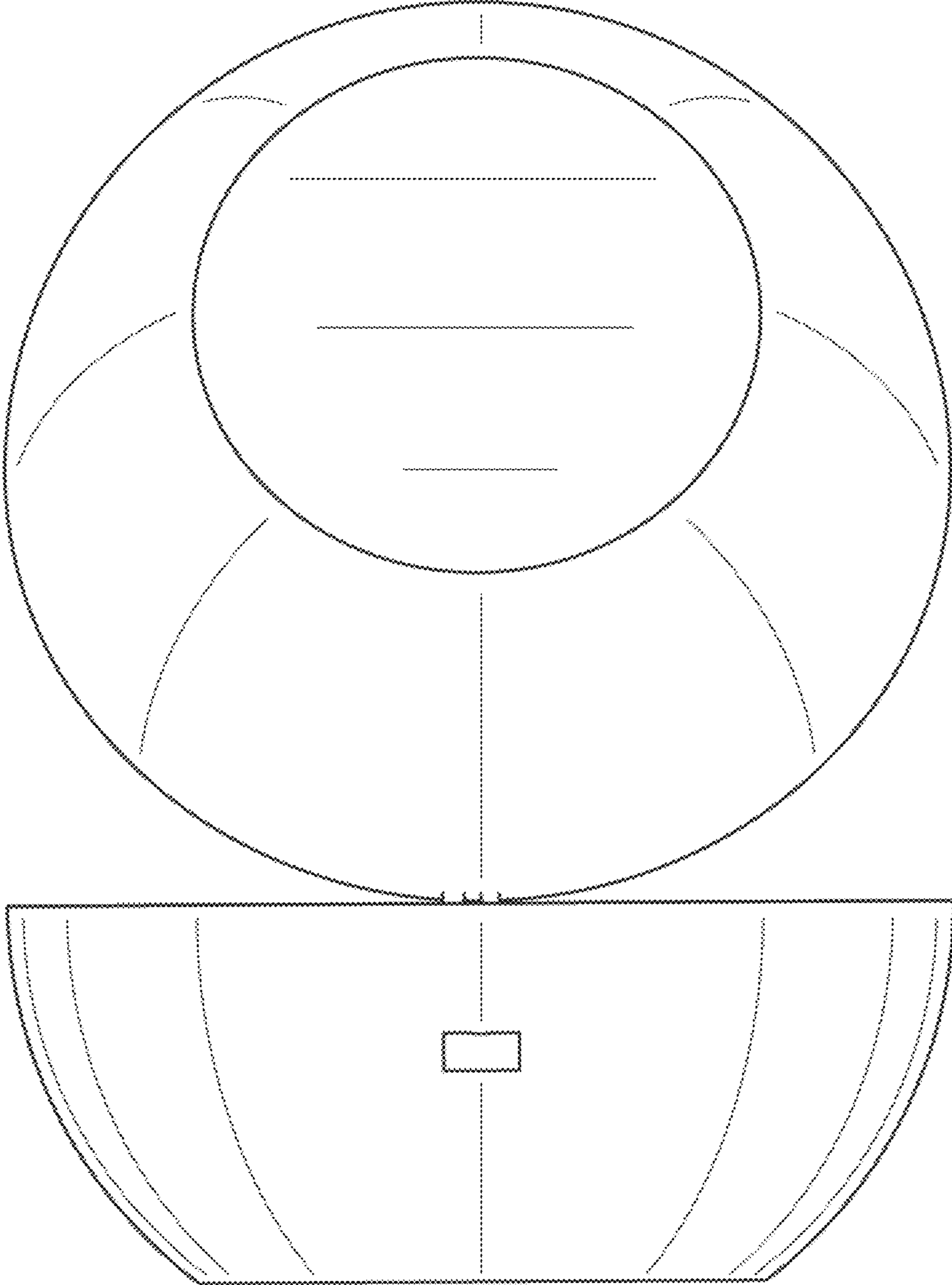


FIG. 9

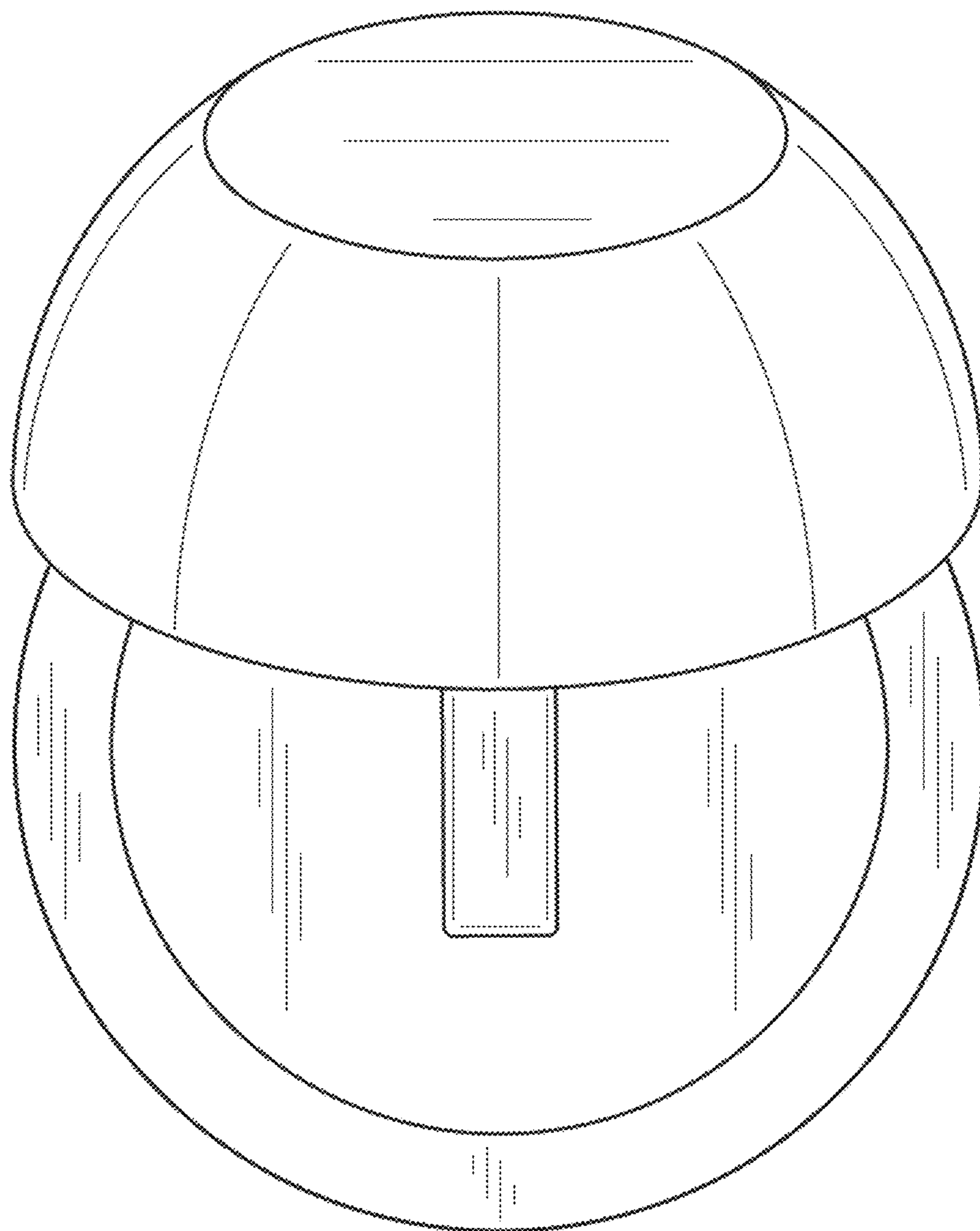


FIG. 10

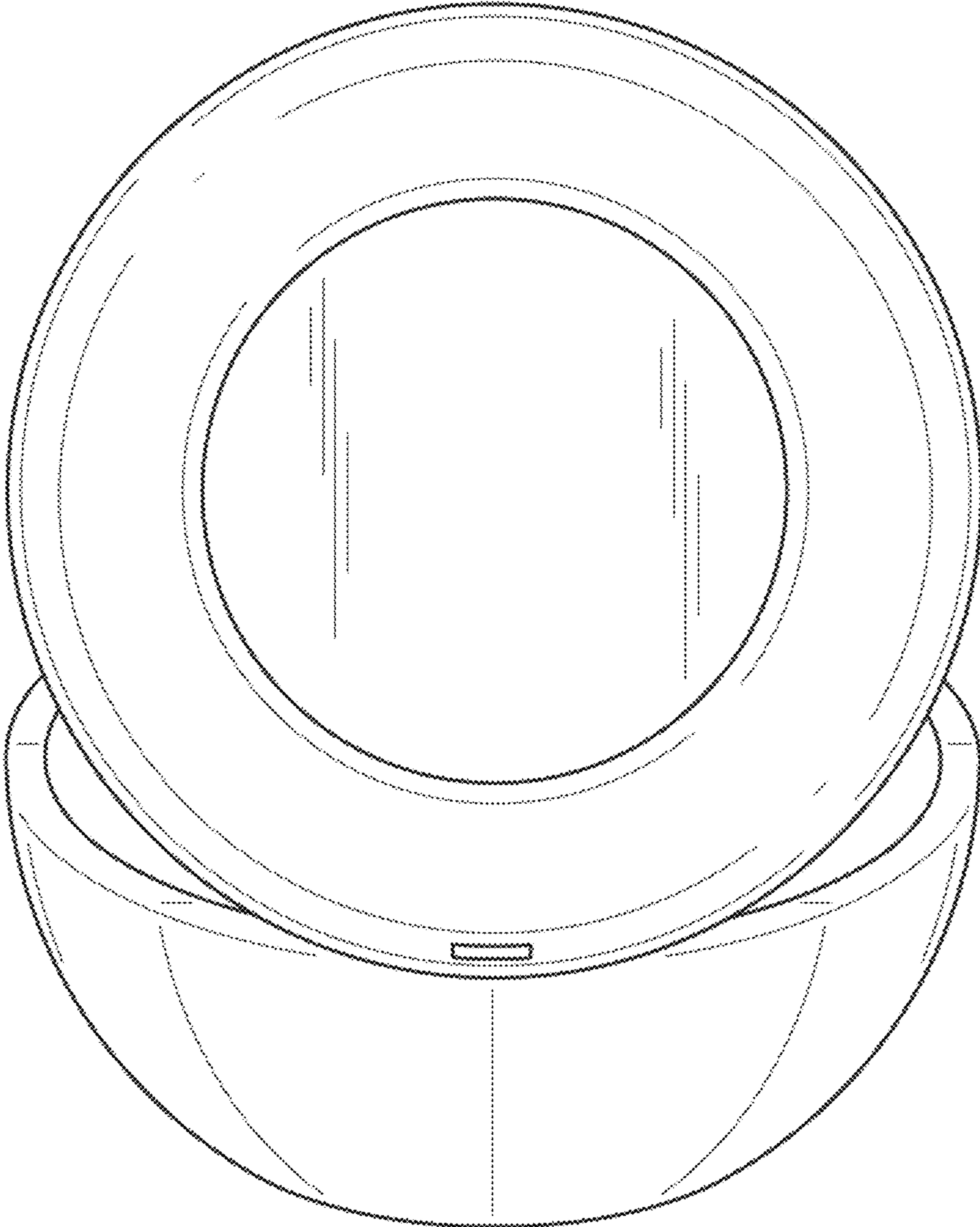


FIG. 11



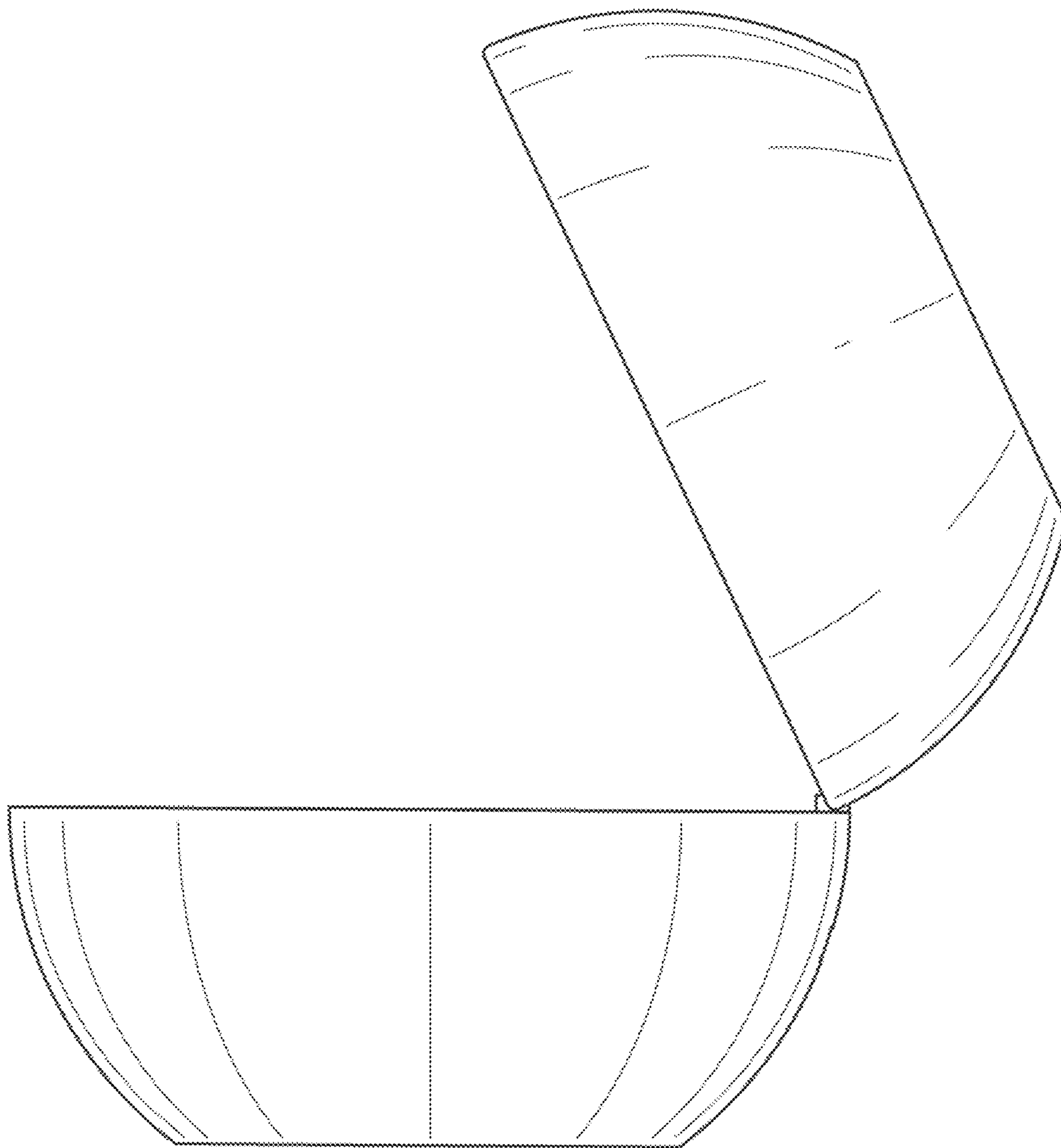


FIG. 12

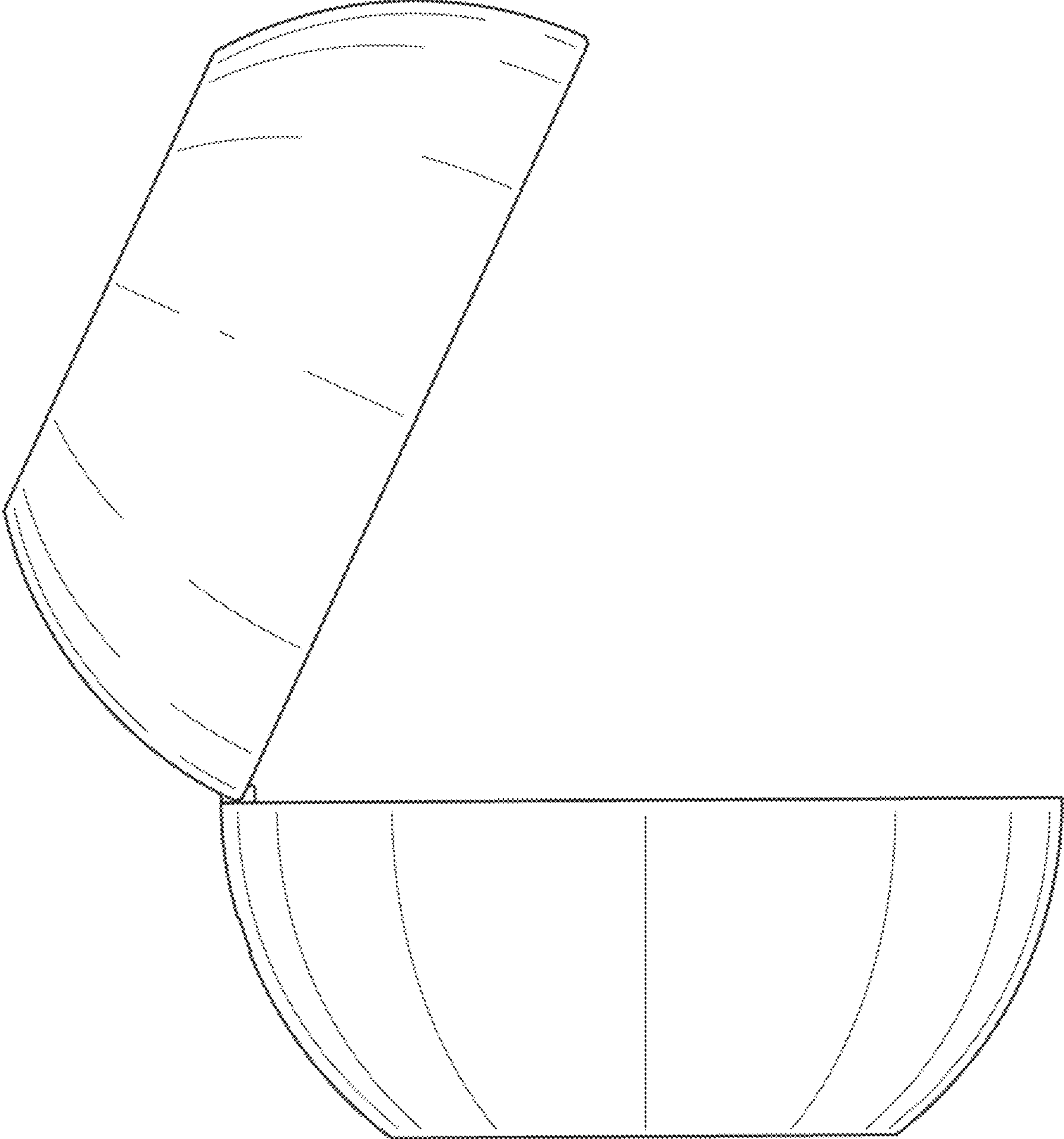


FIG. 13

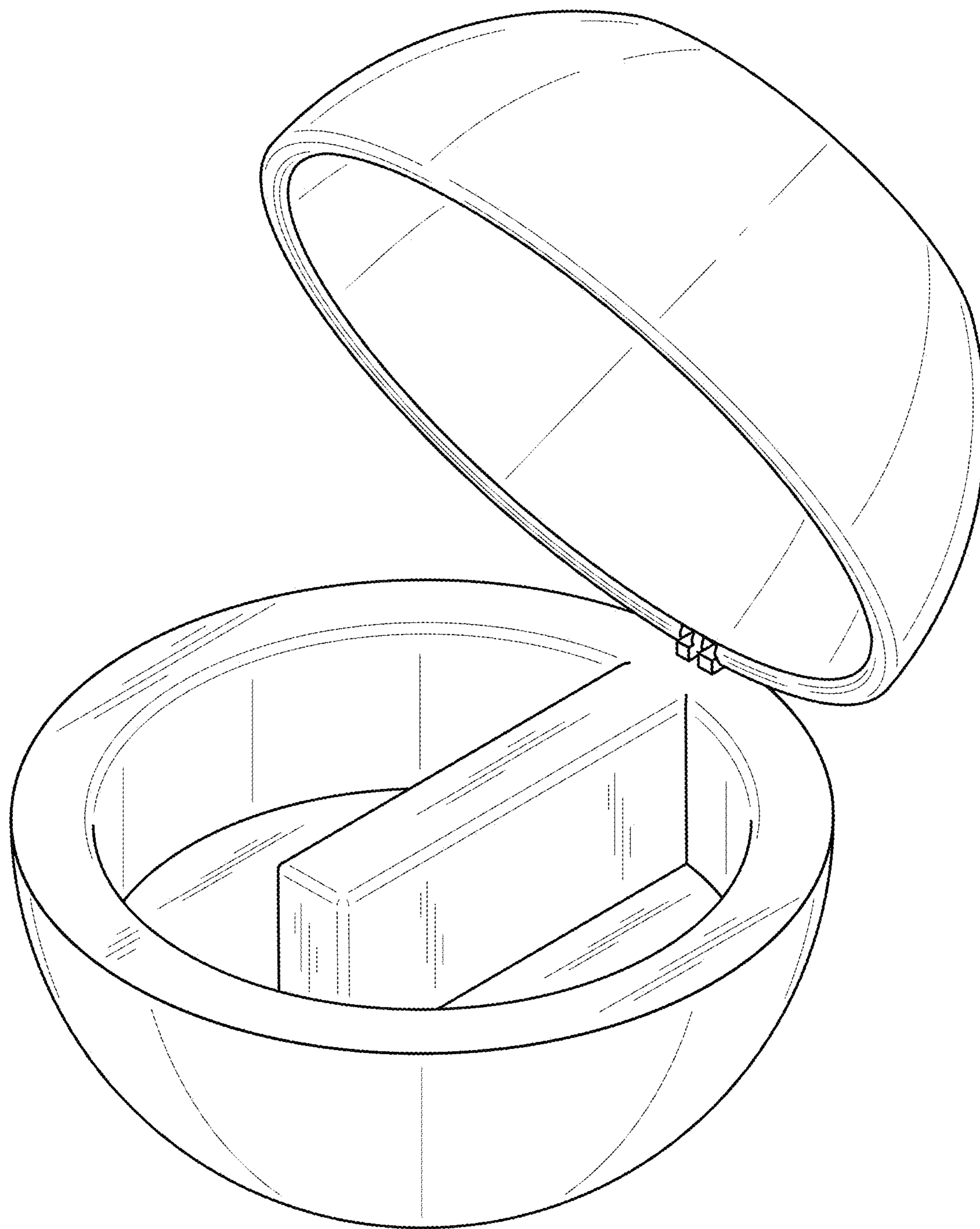


FIG. 14

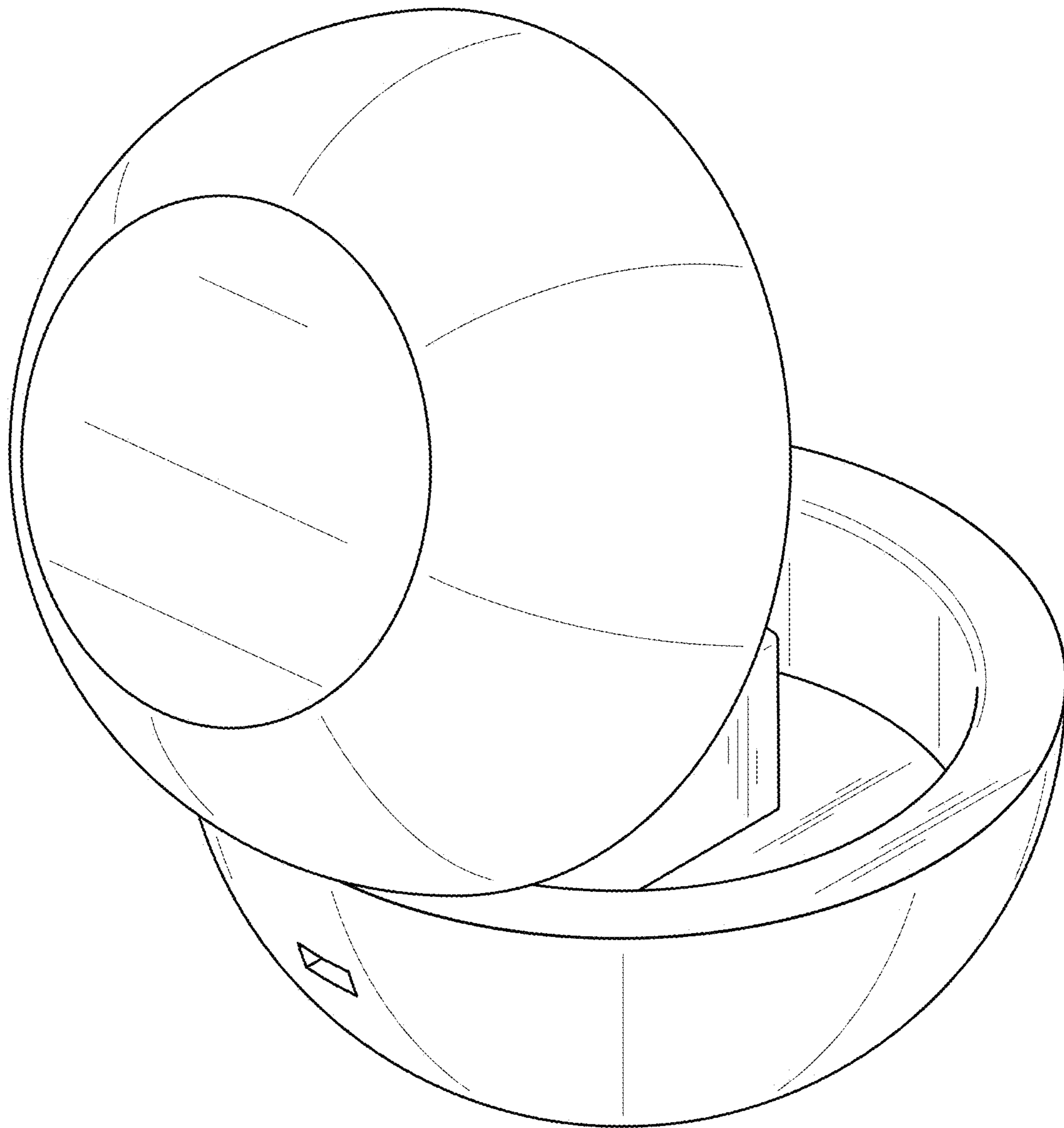


FIG. 15