



US00D937772S

(12) **United States Design Patent**
Huang et al.

(10) **Patent No.:** **US D937,772 S**
(45) **Date of Patent:** **** Dec. 7, 2021**

(54) **CHARGER FOR MEDICAL TRANSMITTER**

(71) Applicants: **Chun-Mu Huang**, Taichung (TW);
Chieh-Hsing Chen, Taichung (TW);
Hsueh-Chuan Chang, Taichung (TW)

(72) Inventors: **Chun-Mu Huang**, Taichung (TW);
Chieh-Hsing Chen, Taichung (TW);
Hsueh-Chuan Chang, Taichung (TW)

(**) Term: **15 Years**

(21) Appl. No.: **29/719,133**

(22) Filed: **Dec. 31, 2019**

(51) **LOC (13) Cl.** **13-02**

(52) **U.S. Cl.**
USPC **D13/108**

(58) **Field of Classification Search**
USPC D13/103, 107, 108, 109, 110, 116, 118,
D13/119, 199; D14/209.1, 224, 251, 252,
D14/434, 447; D27/172, 183, 186, 193;
D24/186
CPC H04R 1/1025; H02J 7/342; H02J 50/00
See application file for complete search history.

(56) **References Cited**

U.S. PATENT DOCUMENTS

D372,455 S *	8/1996	Tiefenthal	D13/108
5,834,919 A *	11/1998	Liu	H02J 7/0042
				320/111
D467,868 S *	12/2002	Chemla	D13/108
D488,435 S *	4/2004	Hirano	D13/103
D514,061 S *	1/2006	Butan	D13/108
D524,444 S *	7/2006	Tomioka	D24/186
D525,582 S *	7/2006	Chan	D13/107
D649,113 S *	11/2011	Ploss	D13/108
D710,300 S *	8/2014	Burke	D13/108
9,077,013 B2 *	7/2015	Huang	H04B 1/3883

D835,573 S *	12/2018	Chen	D13/103
D870,037 S *	12/2019	Lee	D13/107
2005/0248312 A1 *	11/2005	Cao	H02J 7/027
				320/114

OTHER PUBLICATIONS

“Bionime Rightest CGM Continuous Glucose Monitoring System”.
Found online Jan. 20, 2021 at youtube.com. Reference dated Aug.
10, 2020. Retrieved from https://www.youtube.com/watch?v=dSzBJQF2zAw&feature=emb_logo. (Year: 2020).*

(Continued)

Primary Examiner — Kendra Leslie Hamilton
Assistant Examiner — Amanda Christensen

(57) **CLAIM**

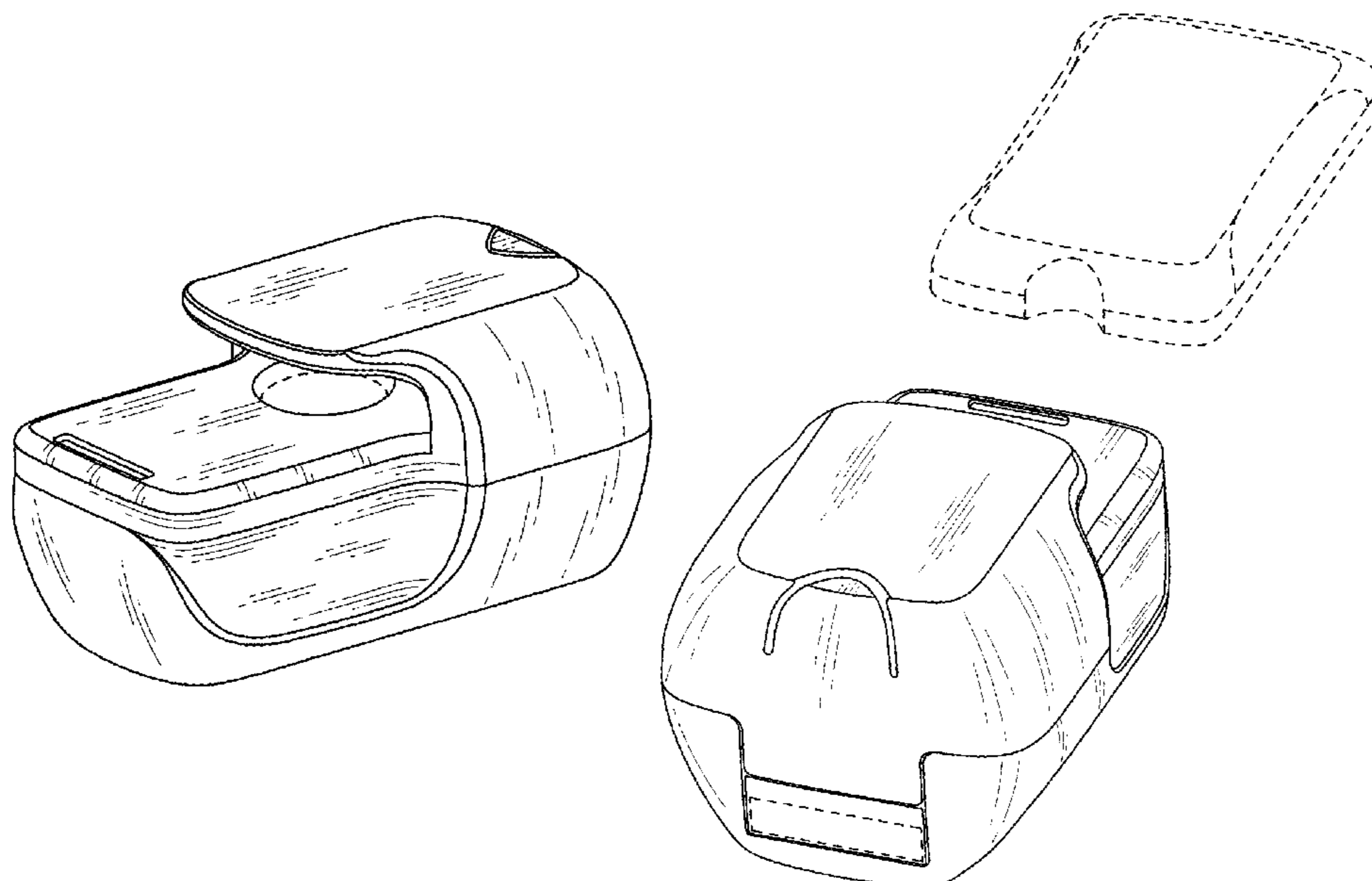
The ornamental design for the charger for medical transmitter, as shown and as described.

DESCRIPTION

FIG. 1 is a bottom, rear, left side perspective view of a charger for medical transmitter, showing our new design. FIG. 2 is a front elevation view thereof. FIG. 3 is a rear elevation view thereof. FIG. 4 is a top plan view thereof. FIG. 5 is a bottom plan view thereof. FIG. 6 is a left side elevation view thereof. FIG. 7 is a right side elevation view thereof; and, FIG. 8 is a bottom, front, right side perspective view of the charger for medical transmitter of FIG. 1, shown in a condition for use.

The broken lines in the drawings depict portions of the charger for medical transmitter that form no part of the claimed design. In FIG. 8, the broken lines showing a transmitter depict environmental subject matter only and form no part of the claimed design.

1 Claim, 8 Drawing Sheets



(56)

References Cited

OTHER PUBLICATIONS

“Z1PowerShell Module with Battery”. Found online Jan. 20, 2021 at thecpapshop.com. Reference dated Aug. 27, 2019. Retrieved from <https://www.thecpapshop.com/z1tm-powershelltm-module-with-battery>. (Year: 2019).*

“Diabetes Shop Replacement Charger”. Found online Jan. 20, 2021 at diabetes.shop. Reference dated Dec. 15, 2019. Retrieved from <https://tineye.com/search/57dd59a1c9a5f55b5a68a6b88bf7b22cd846ae8?sort=score&order=desc&page=1>. (Year: 2019).*

* cited by examiner

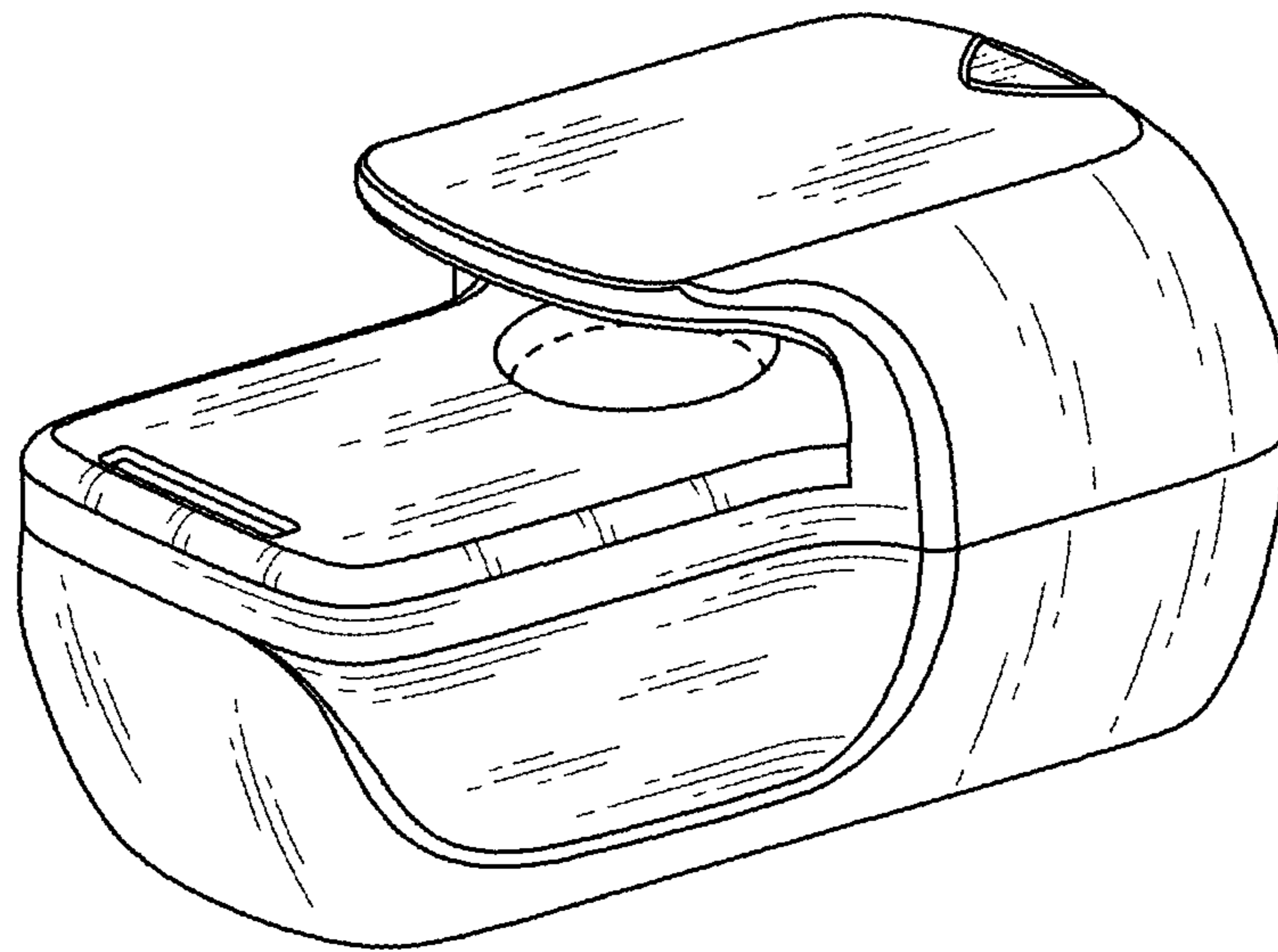


Fig. 1

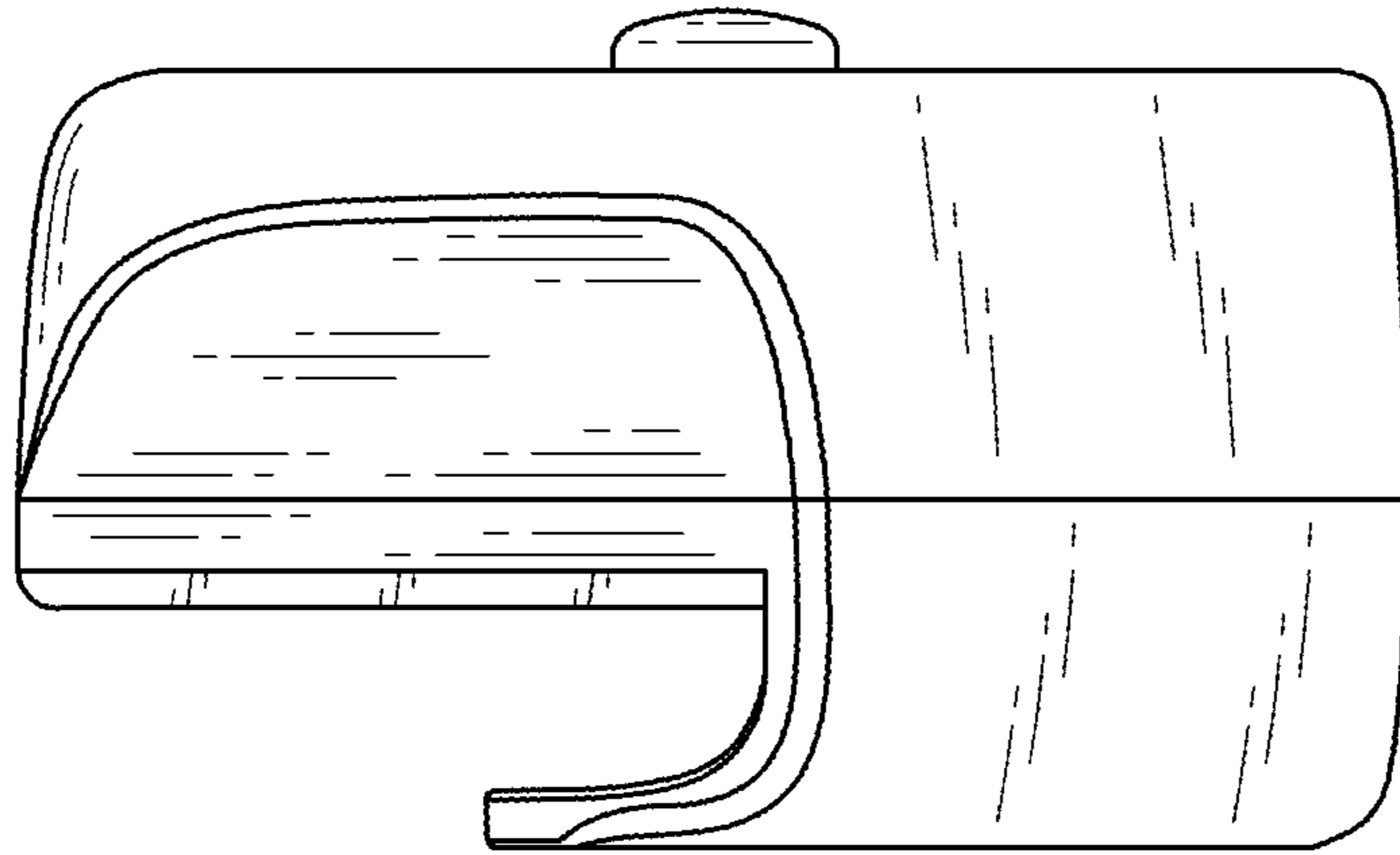


Fig. 2

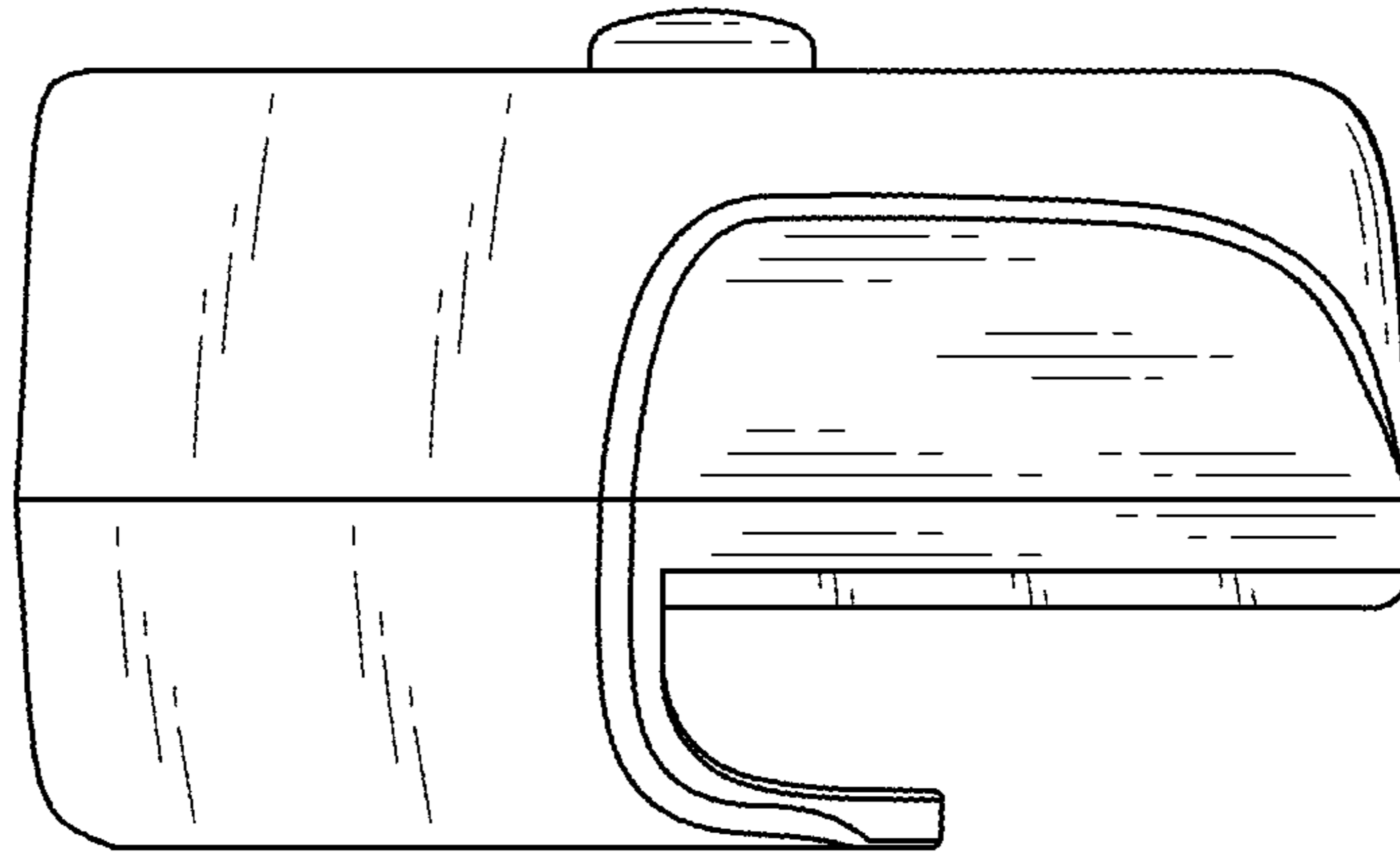


Fig. 3

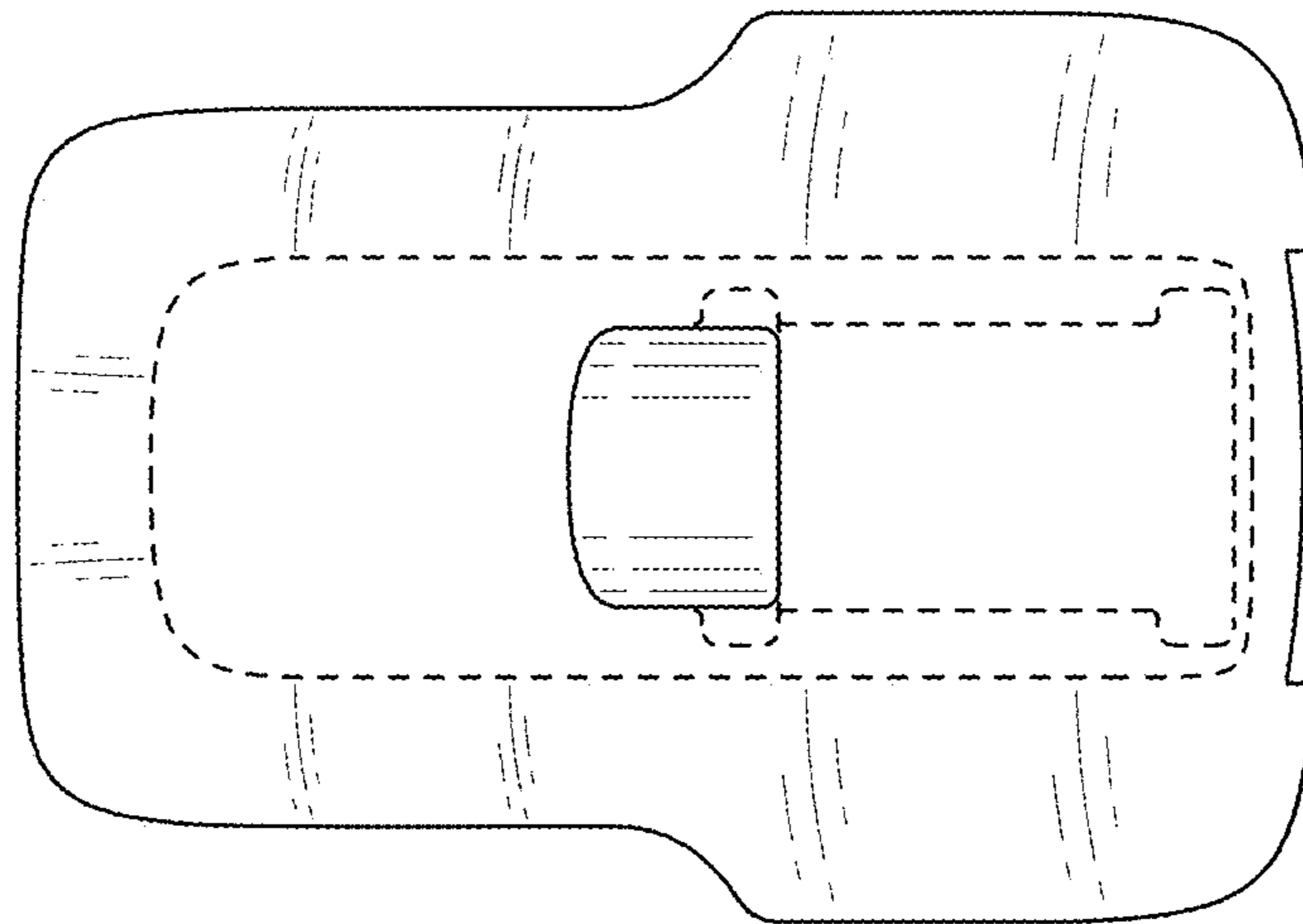


Fig. 4

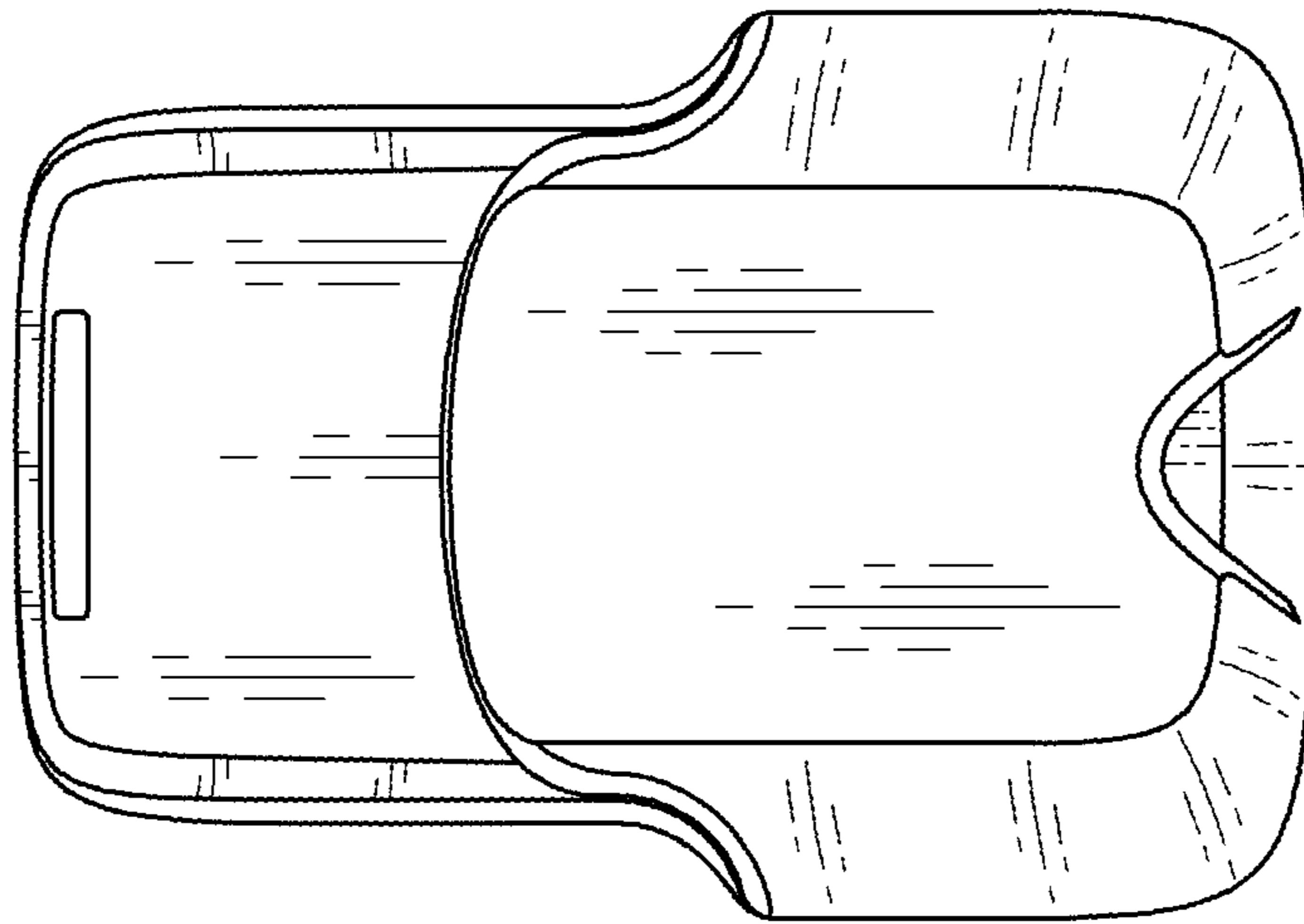


Fig. 5

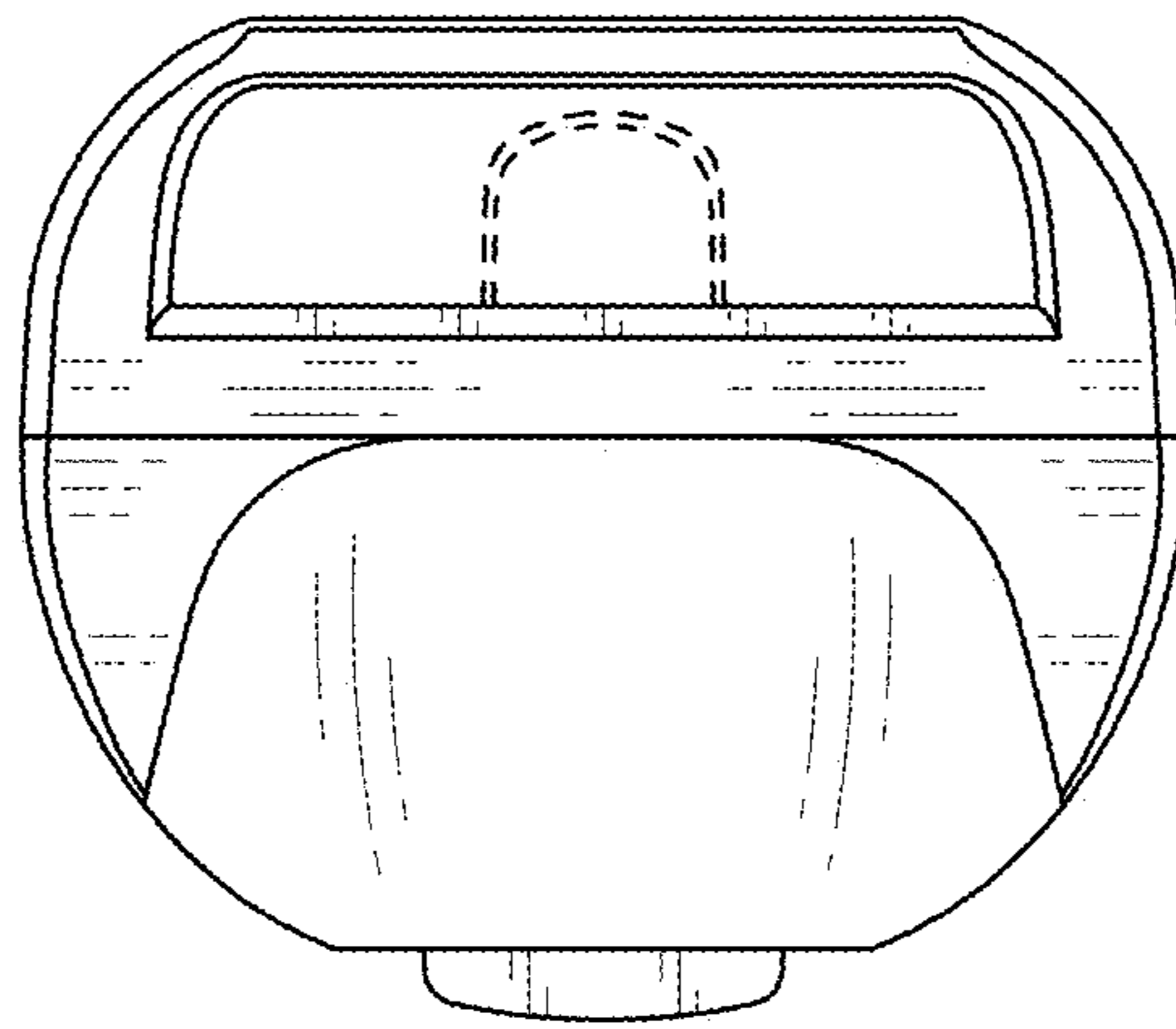


Fig. 6

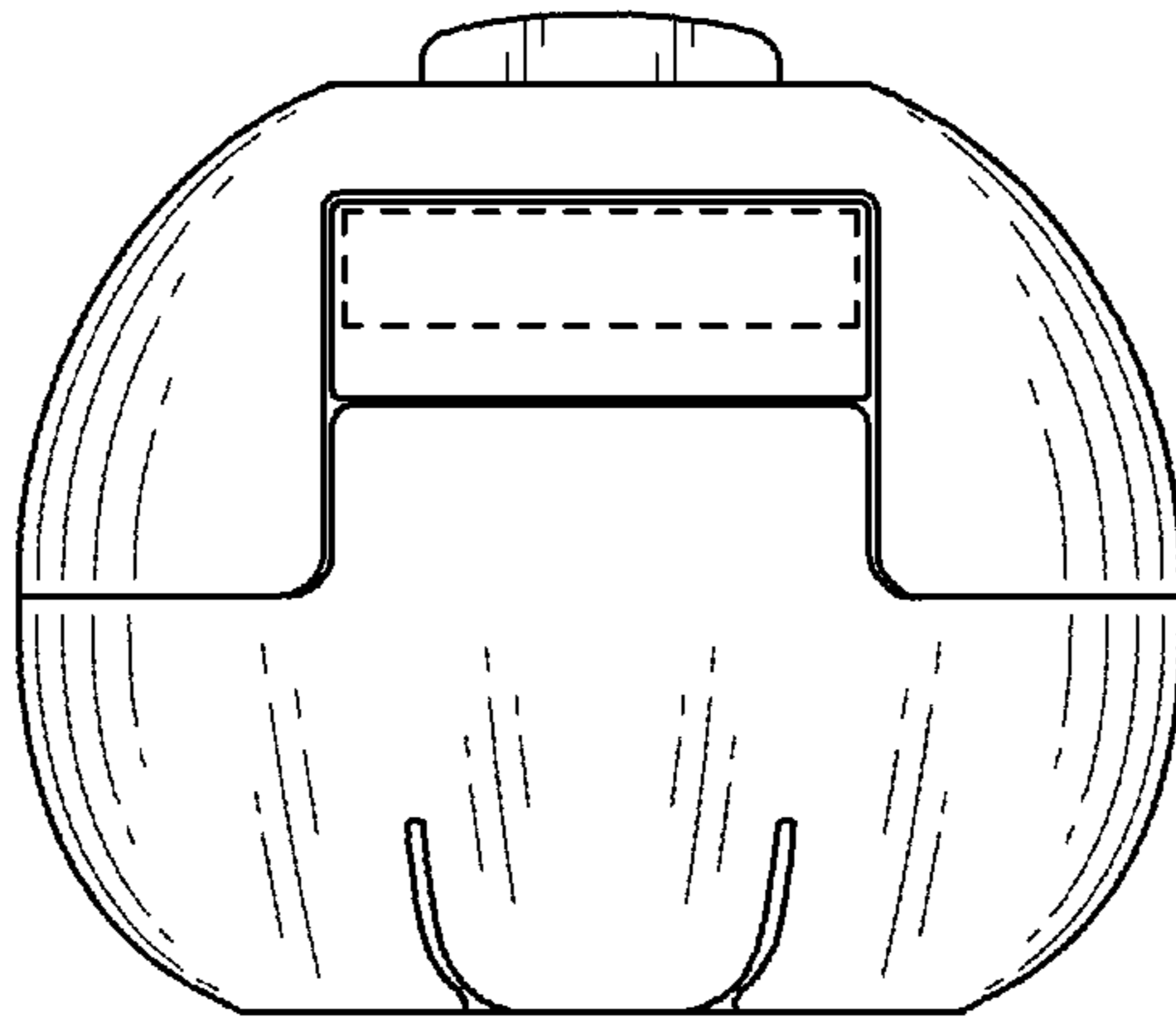


Fig. 7

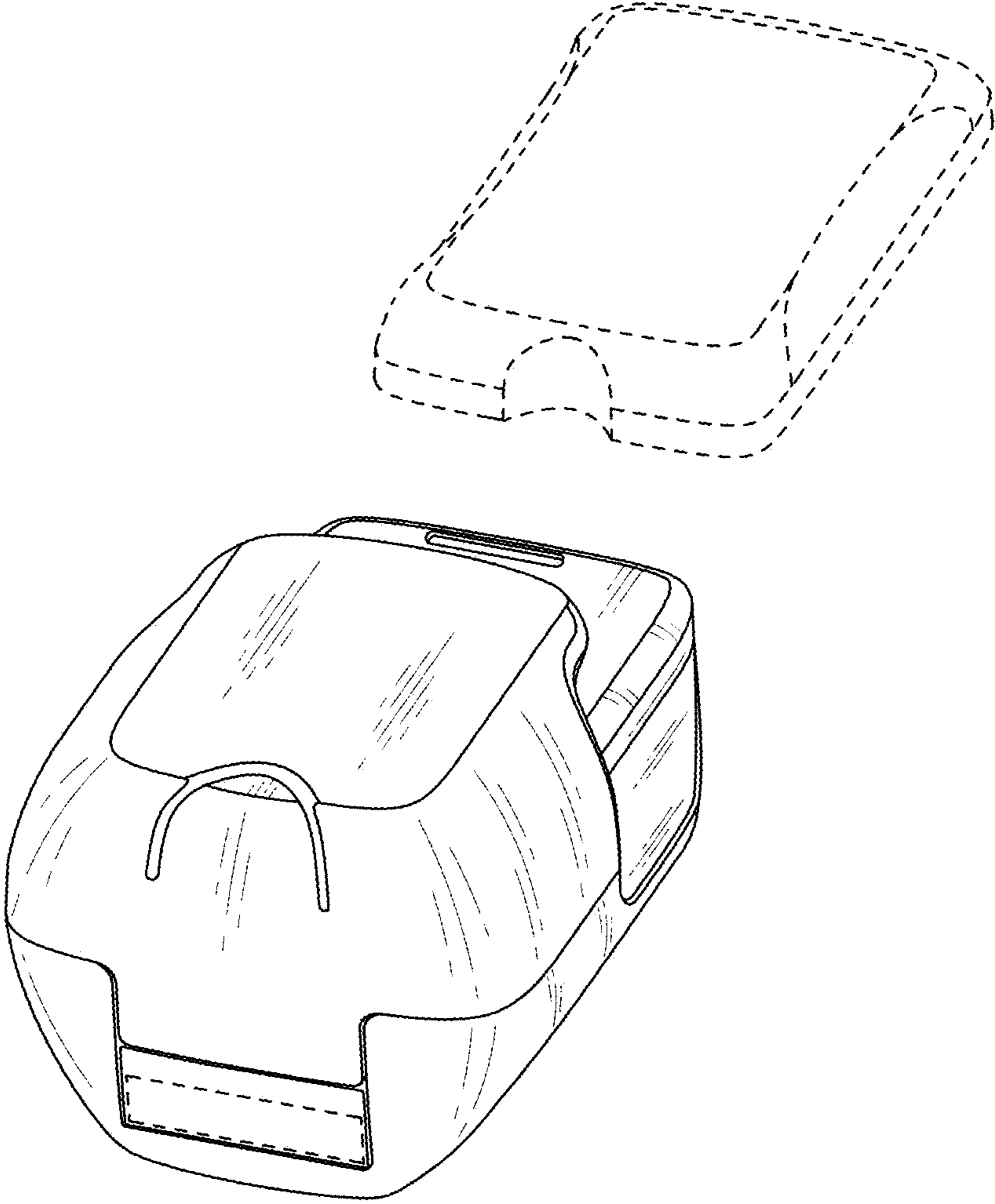


Fig. 8