



US00D937771S

(12) **United States Design Patent** (10) **Patent No.:** **US D937,771 S**  
**Bonilla et al.** (45) **Date of Patent:** **\*\* Dec. 7, 2021**

(54) **CHARGING STATION**  
(71) Applicant: **Hubbell Incorporated**, Shelton, CT (US)  
(72) Inventors: **Nelson Bonilla**, Shelton, CT (US); **Jason Walker**, Bethany, CT (US); **John Brower**, Fairfield, CT (US)  
(73) Assignee: **Hubbell Incorporated**, Shelton, CT (US)  
(\*\*) Term: **15 Years**  
(21) Appl. No.: **29/717,013**  
(22) Filed: **Dec. 13, 2019**  
(51) **LOC (13) Cl.** ..... **13-02**  
(52) **U.S. Cl.**  
USPC ..... **D13/108**  
(58) **Field of Classification Search**  
USPC ..... D13/103, 107, 108, 109, 110, 118, 119;  
D14/209.1, 251, 253, 356, 434, 447  
CPC ..... H02J 7/342; H02J 50/00; H01R 2201/06  
See application file for complete search history.

D805,030 S 12/2017 Massar  
D823,792 S 7/2018 Komoni  
D860,132 S 9/2019 Fu  
D866,460 S 11/2019 Komoni  
D871,327 S \* 12/2019 Nelson ..... D13/108  
D879,713 S \* 3/2020 Piper ..... D13/108  
(Continued)

**FOREIGN PATENT DOCUMENTS**

EP 0926798 A1 6/1999

**OTHER PUBLICATIONS**

“Impres Multi-Unit Charger”. Found online Apr. 6, 2021 at radiotwoway.com. Reference dated Mar. 7, 2014. Retrieved from https://tineye.com/search/a0483b62257489c4d720d75ee2423ebb0e386a78?sort=crawl\_date&order=asc&page=1. (Year: 2014).\*  
(Continued)

*Primary Examiner* — Kendra Leslie Hamilton  
*Assistant Examiner* — Amanda Christensen  
(74) *Attorney, Agent, or Firm* — Michael Best & Friedrich LLP

(57) **CLAIM**

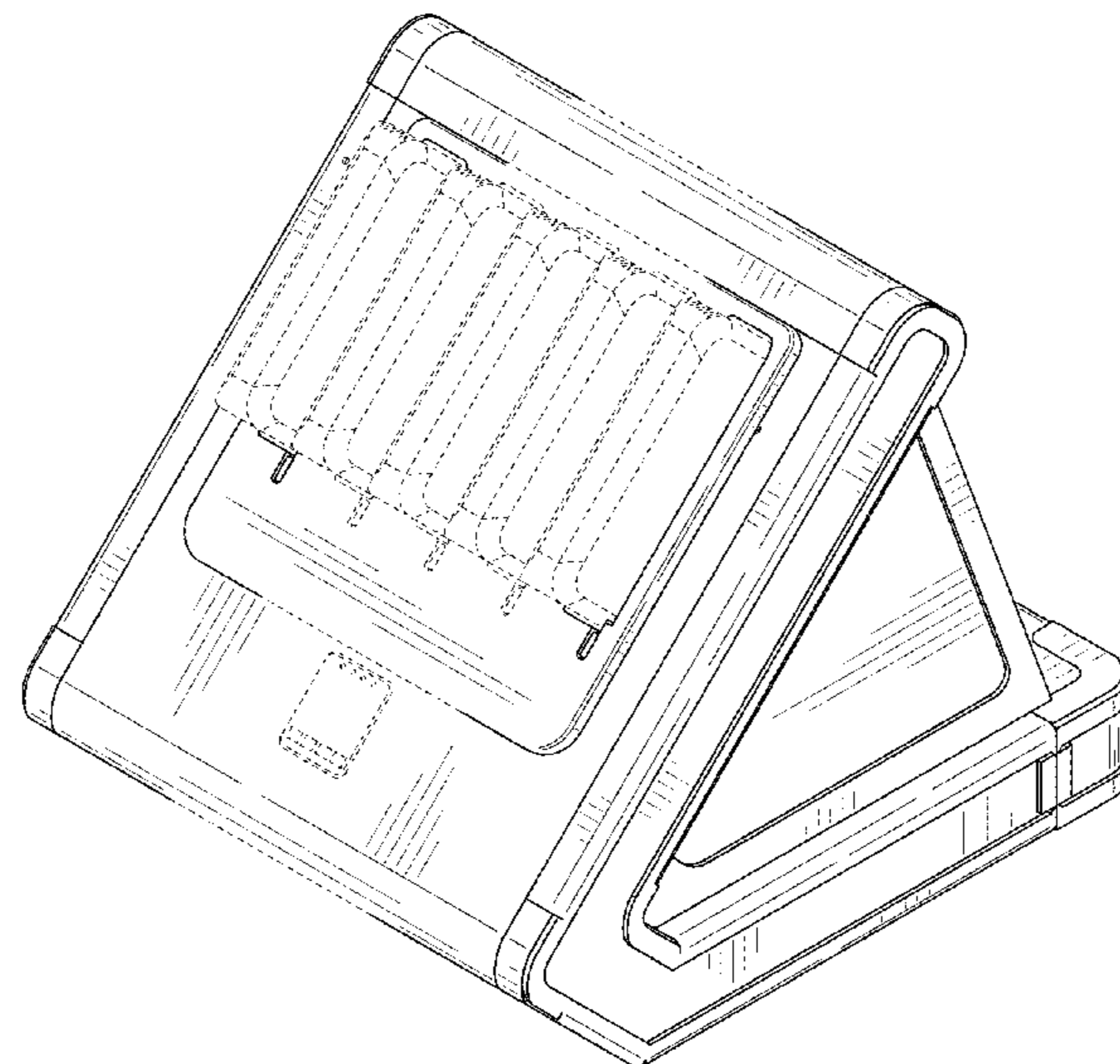
We claim the ornamental design for a charging station, as shown and described.

**DESCRIPTION**

FIG. 1 is a top, front, left side perspective view of a charging station showing our new design.  
FIG. 2 is a front elevation view thereof.  
FIG. 3 is a rear elevation view thereof.  
FIG. 4 is a left side elevation view thereof.  
FIG. 5 is a right side elevation view thereof.  
FIG. 6 is a top plan view thereof; and,  
FIG. 7 is a bottom plan view thereof.  
The elements shown in broken lines depict environment and form no part of the claimed design.

**1 Claim, 7 Drawing Sheets**

(56) **References Cited**  
**U.S. PATENT DOCUMENTS**  
D397,084 S \* 8/1998 Siddoway ..... D13/107  
D402,258 S \* 12/1998 Kawakami ..... D13/107  
6,326,767 B1 12/2001 Small et al.  
D456,085 S 4/2002 O’Brien  
D461,814 S \* 8/2002 Felix ..... D13/108  
D530,667 S \* 10/2006 Viduya ..... D13/107  
D633,039 S \* 2/2011 Nomi ..... D13/108  
D654,019 S 2/2012 Ikegame  
D680,066 S 4/2013 Kinoshita  
D710,797 S 8/2014 Awiszus  
D722,957 S 2/2015 Kotaniemi  
D736,703 S 8/2015 Kotaniemi  
D755,122 S 5/2016 Gecawicz  
D761,729 S 7/2016 Leong  
D801,920 S 11/2017 Yoon



(56)

**References Cited**

## U.S. PATENT DOCUMENTS

D902,212 S \* 11/2020 Sjogren ..... D14/434  
D908,616 S \* 1/2021 Bonilla ..... D13/108  
2004/0080298 A1\* 4/2004 Maggert ..... H02J 7/00036  
320/107  
2011/0121790 A1 5/2011 Brandon, II  
2011/0127959 A1\* 6/2011 McGary ..... H02J 7/0027  
320/114  
2011/0234153 A1 9/2011 Abramson  
2012/0194132 A1\* 8/2012 Ikegame ..... H02J 7/0045  
320/113  
2012/0249051 A1 10/2012 Son et al.  
2013/0274920 A1 10/2013 Abramson et al.  
2013/0328522 A1 12/2013 Brockman et al.  
2014/0042958 A1\* 2/2014 Yang ..... H02J 7/0045  
320/107  
2015/0123598 A1 5/2015 Tew et al.  
2015/0326061 A1 11/2015 Davison et al.  
2016/0088482 A1 3/2016 Zeiler et al.

## OTHER PUBLICATIONS

“Belkin Store and Charge”. Found online Apr. 6, 2021 at amazon.com. Reference dated Mar. 30, 2011. Retrieved from <https://www.amazon.com/Belkin-B2B074-Store-Charge-Station/dp/B00BE6AAIQ>. (Year: 2011).\*

“Charger for Motorola”. Found online Apr. 7, 2021 at walmart.com. Reference dated Jul. 8, 2017. Retrieved from [https://tineye.com/search/f5cfa7d76767123c6f1430550c3865f198de3ad5?sort=crawl\\_date&order=asc&page=1](https://tineye.com/search/f5cfa7d76767123c6f1430550c3865f198de3ad5?sort=crawl_date&order=asc&page=1). (Year: 2017).\*

PCT/US2019/020011 International Search Report and Written Opinion dated May 2, 2019 (17 pages).

\* cited by examiner

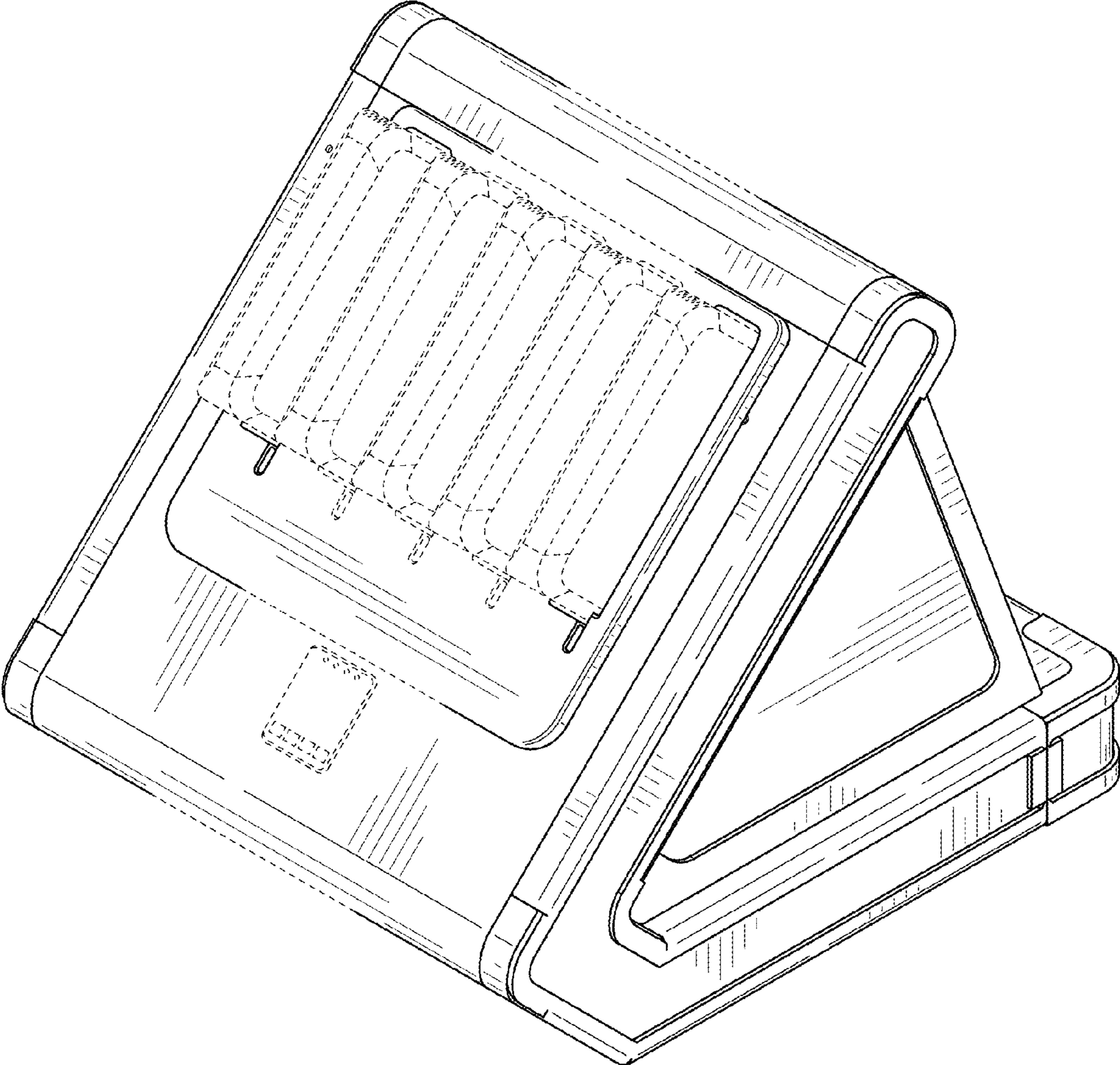


FIG. 1

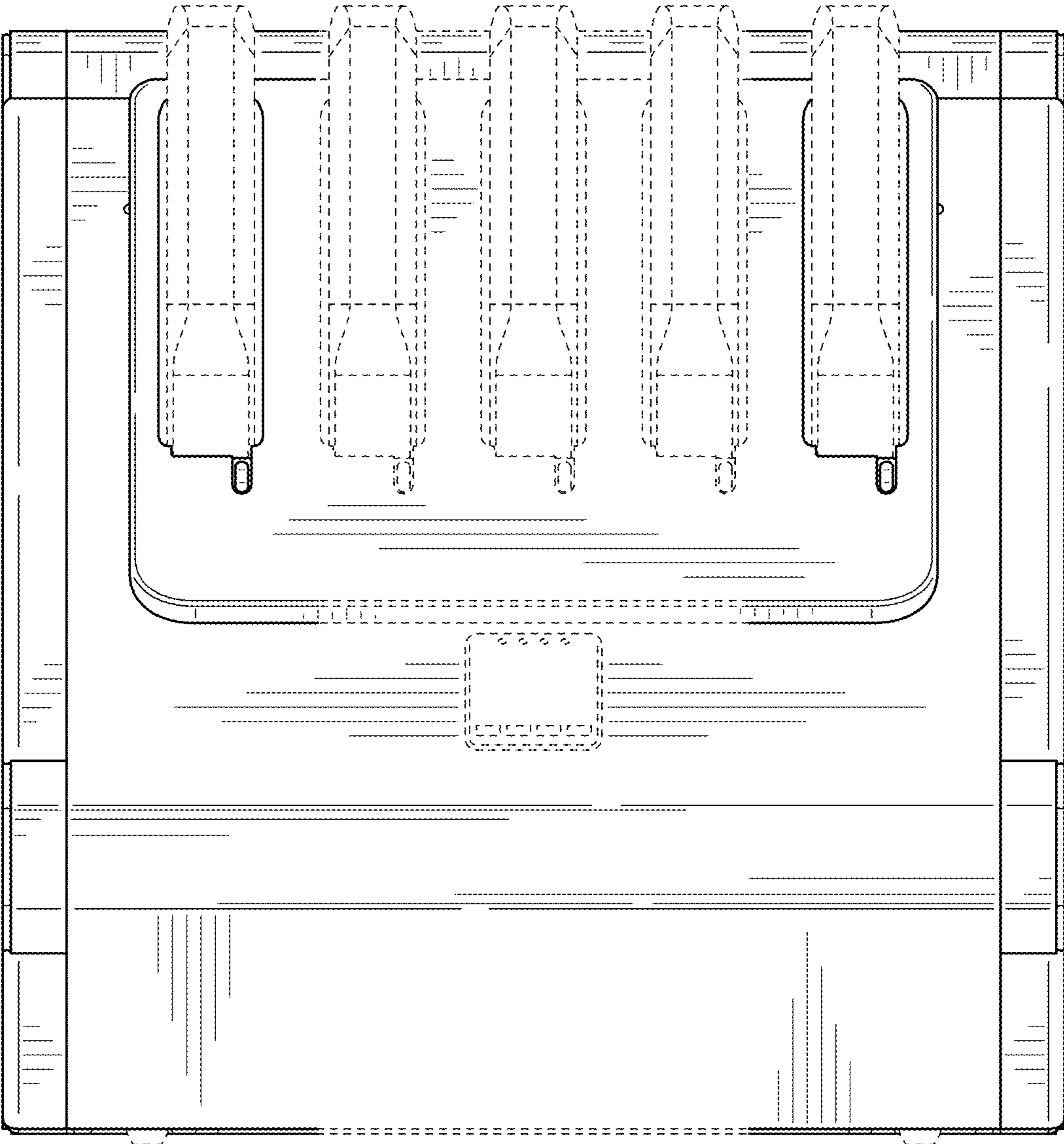


FIG. 2

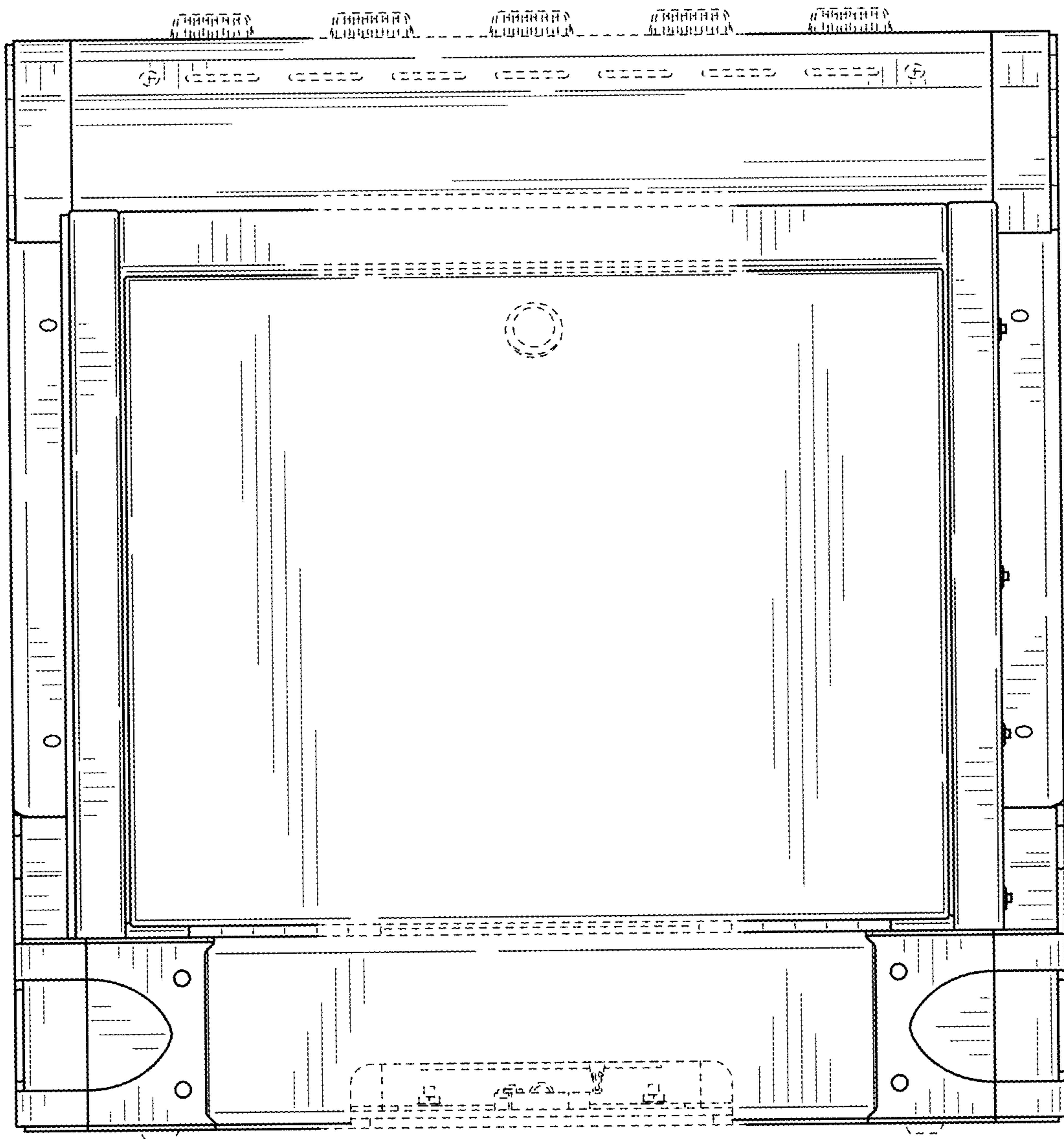


FIG. 3

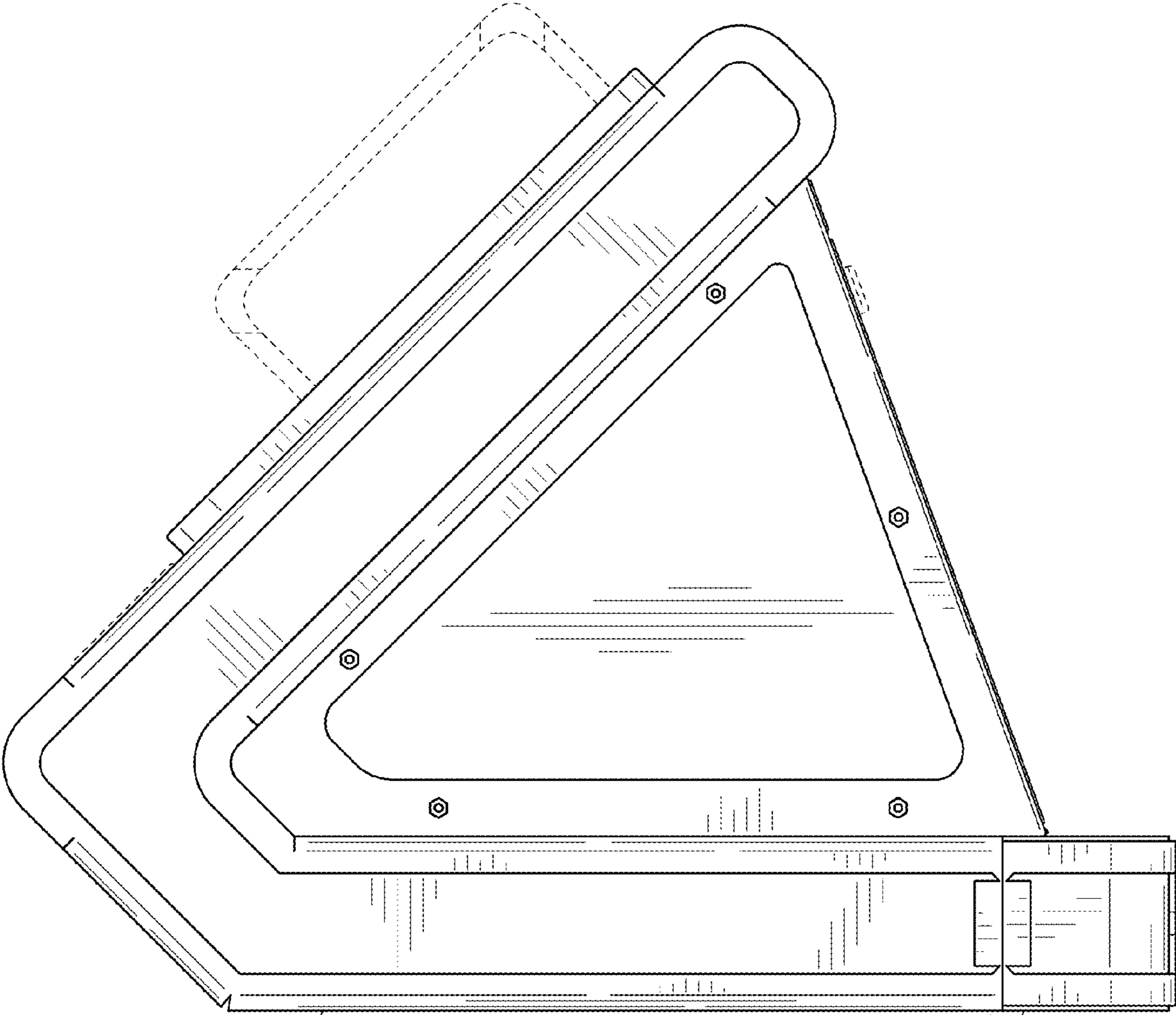


FIG. 4

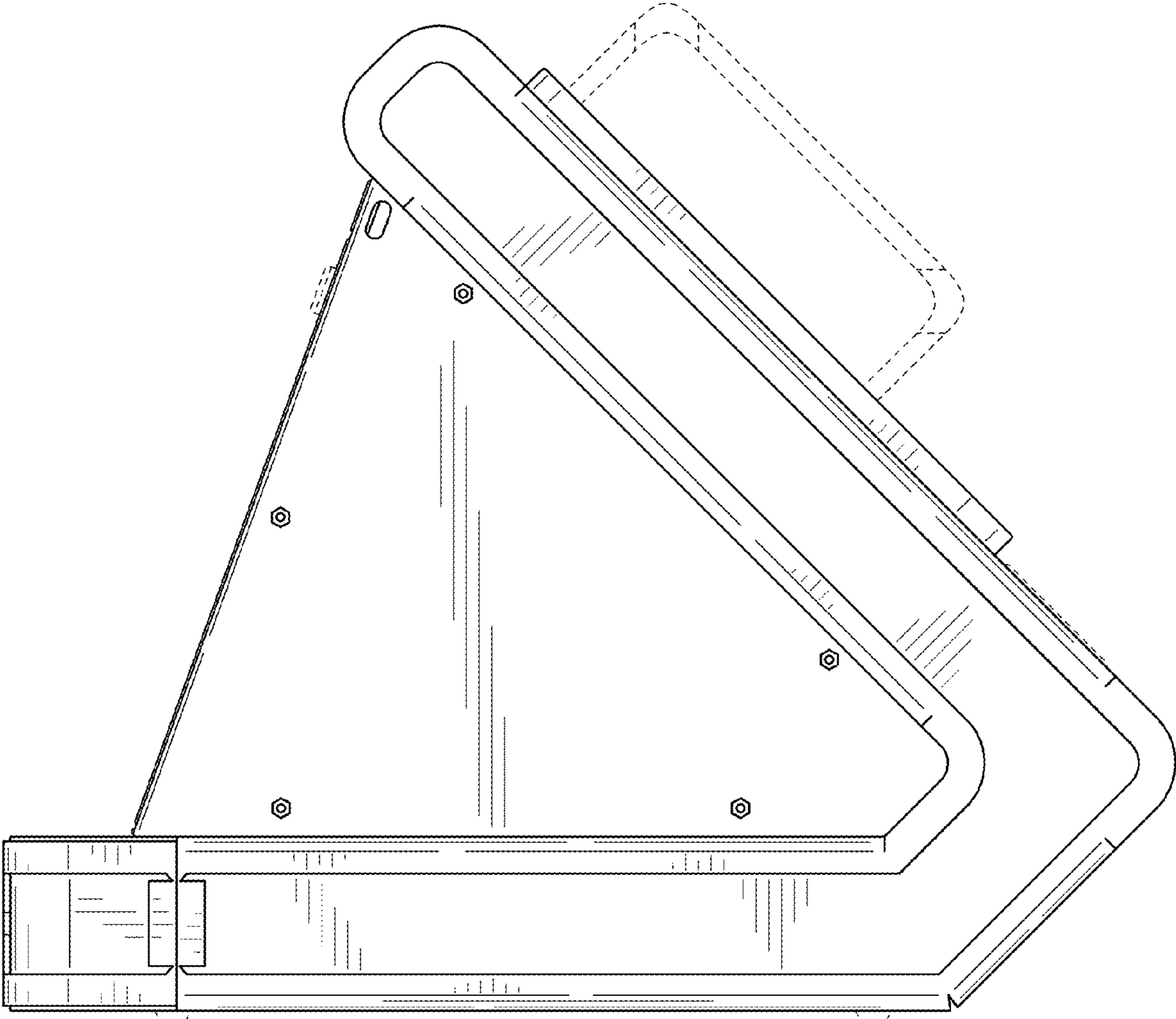


FIG. 5

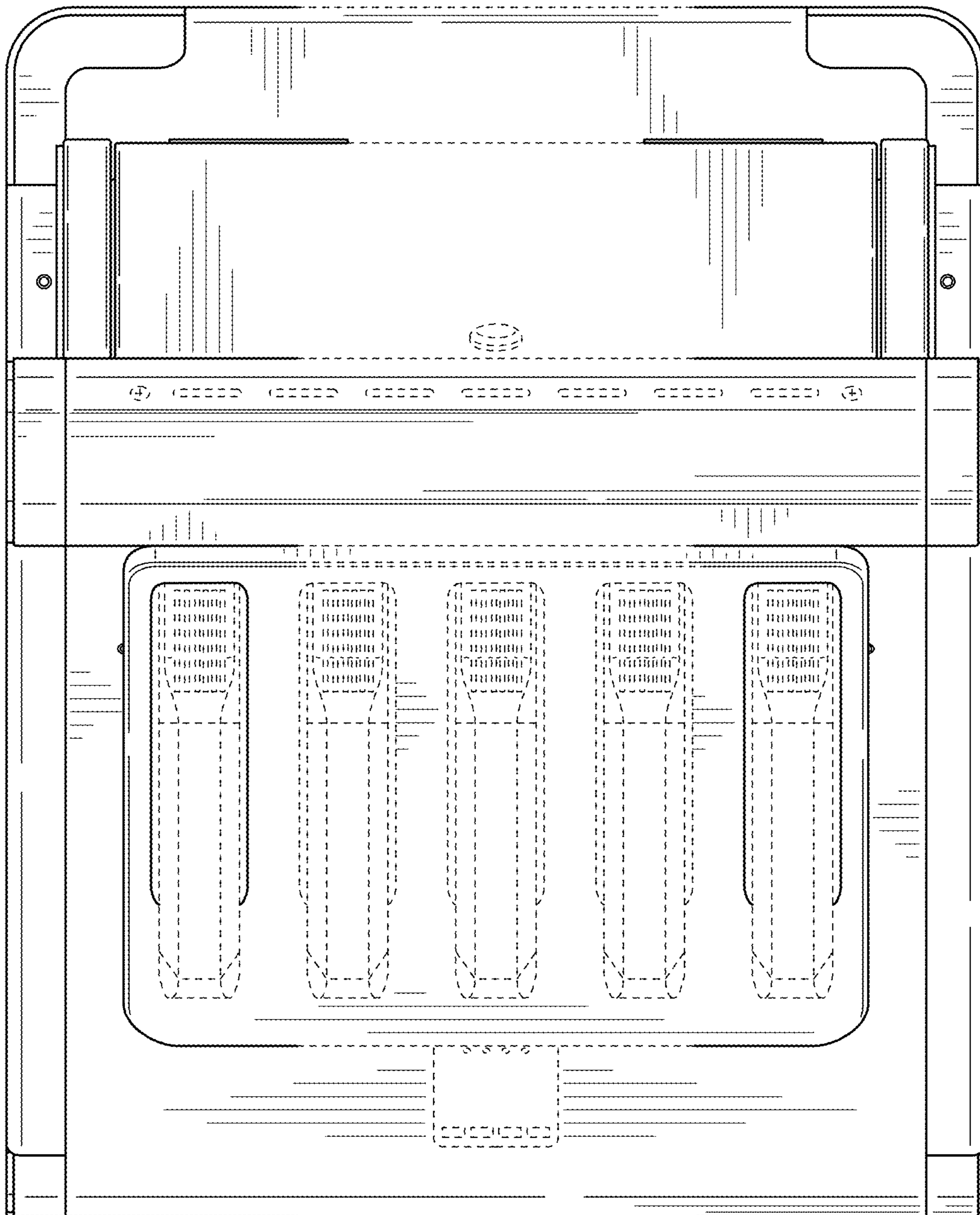


FIG. 6



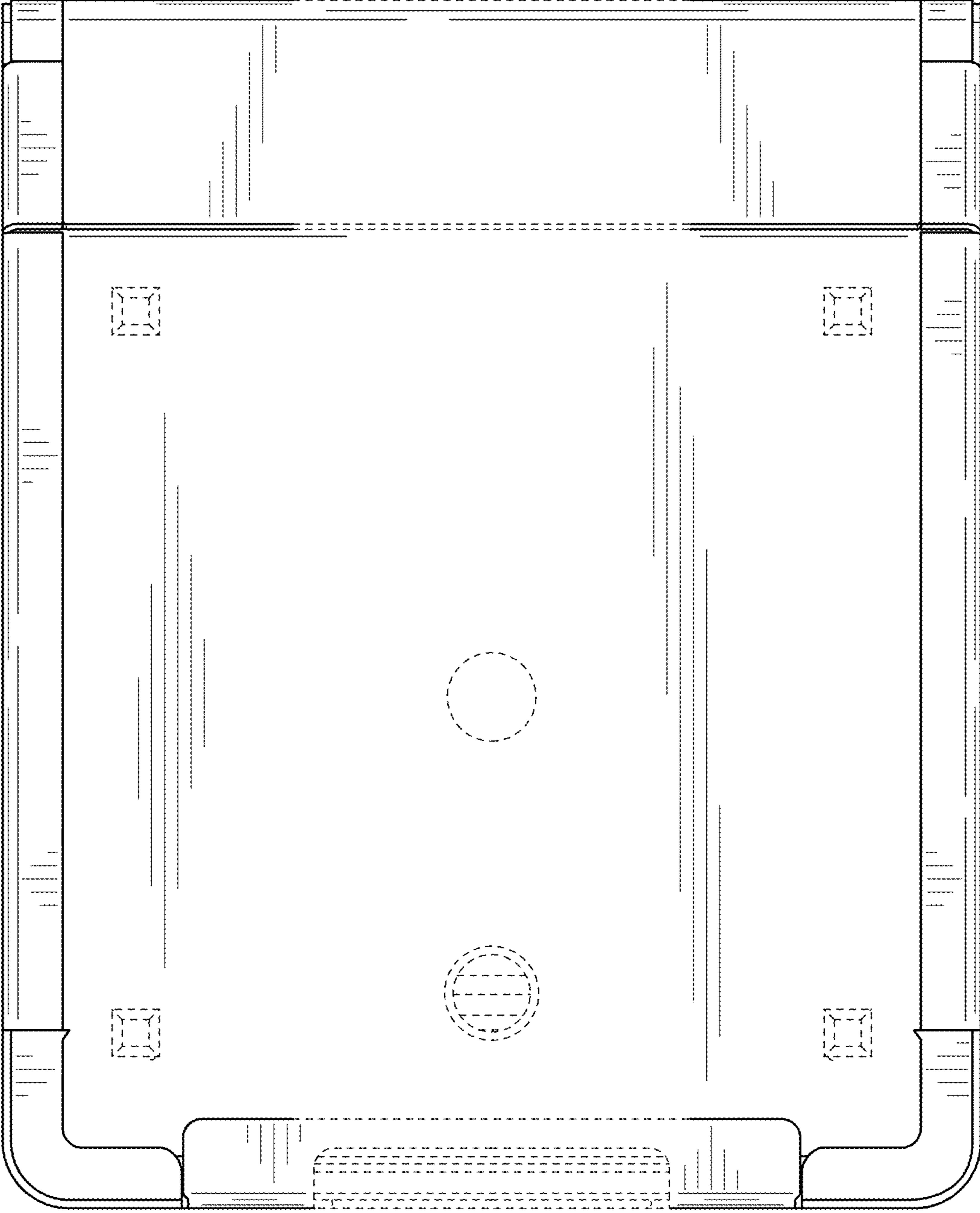


FIG. 7