



US00D937770S

(12) **United States Design Patent**
Matsumoto et al.

(10) **Patent No.:** **US D937,770 S**

(45) **Date of Patent:** **** Dec. 7, 2021**

(54) **CHARGING CLIP**

(71) Applicant: **Amazon Technologies, Inc.**, Seattle, WA (US)

(72) Inventors: **Ippei Matsumoto**, Daly City, CA (US); **Maya Shirish Sathaye**, Seattle, WA (US); **Manish Avinash Mantrawadi**, Redmond, WA (US)

(73) Assignee: **Amazon Technologies, Inc.**, Seattle, WA (US)

(**) Term: **15 Years**

(21) Appl. No.: **29/714,637**

(22) Filed: **Nov. 25, 2019**

(51) **LOC (13) Cl.** **13-02**

(52) **U.S. Cl.**
USPC **D13/108**

(58) **Field of Classification Search**
USPC D13/101, 103, 107, 108, 109, 110, 117, D13/118, 119, 120, 123, 133, 137.1, D13/137.2, 137.4, 138.1, 138.2, 139.7, D13/146, 153, 199; D14/230, 233, 234, D14/432, 433; D16/242, 243
CPC H01R 29/00; H01R 11/00; H01R 24/76
See application file for complete search history.

(56) **References Cited**

U.S. PATENT DOCUMENTS

D445,760 S *	7/2001	Minagawa	D13/108
D525,582 S *	7/2006	Chan	D13/107
D724,525 S *	3/2015	Lee	D13/103
D744,418 S *	12/2015	Ogihara	D13/108
D791,075 S *	7/2017	Kim	D13/107
D808,335 S *	1/2018	Corander	D13/107
D811,409 S *	2/2018	Zhong	D14/432

9,895,265 B1 *	2/2018	DaRosa	F16P 3/00
D876,629 S *	2/2020	Way	A61C 7/08
				D24/156
D877,069 S *	3/2020	Kern	D13/108
D904,410 S *	12/2020	Xu	D14/432
2010/0221961 A1 *	9/2010	Jensen	H01R 11/24
				439/759
2011/0227535 A1 *	9/2011	Caskey	H02J 7/007
				320/111

OTHER PUBLICATIONS

“Amazon Halo Charger”. Found online Jan. 15, 2021 at amazon.com. Reference dated Nov. 28, 2020. Retrieved from <https://msweetwood.com/2020/11/28/amazon-halo-fitness-band-review/>. (Year: 2020).*

(Continued)

Primary Examiner — Kendra Leslie Hamilton

Assistant Examiner — Amanda Christensen

(74) *Attorney, Agent, or Firm* — Lee & Hayes, P.C.

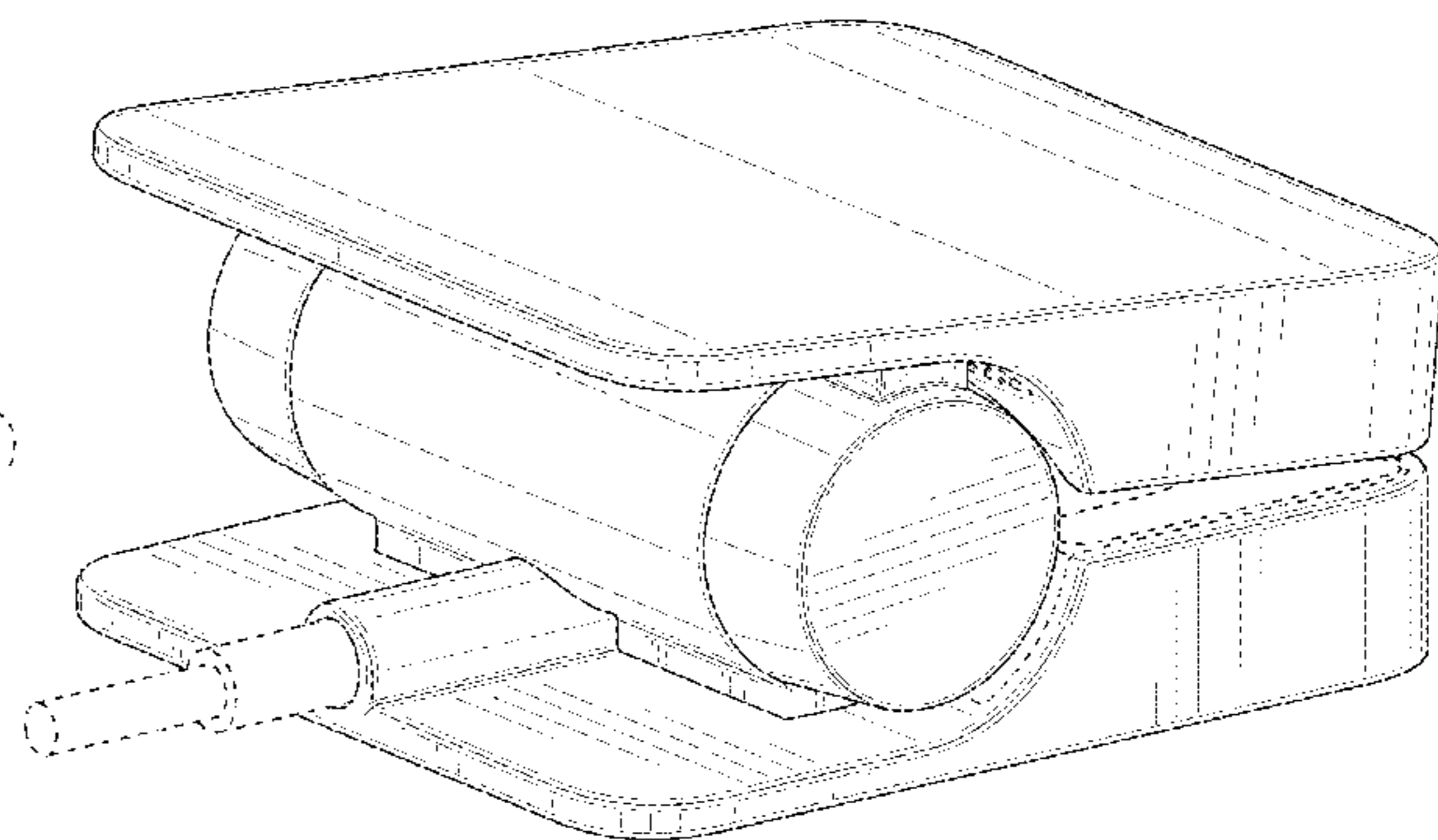
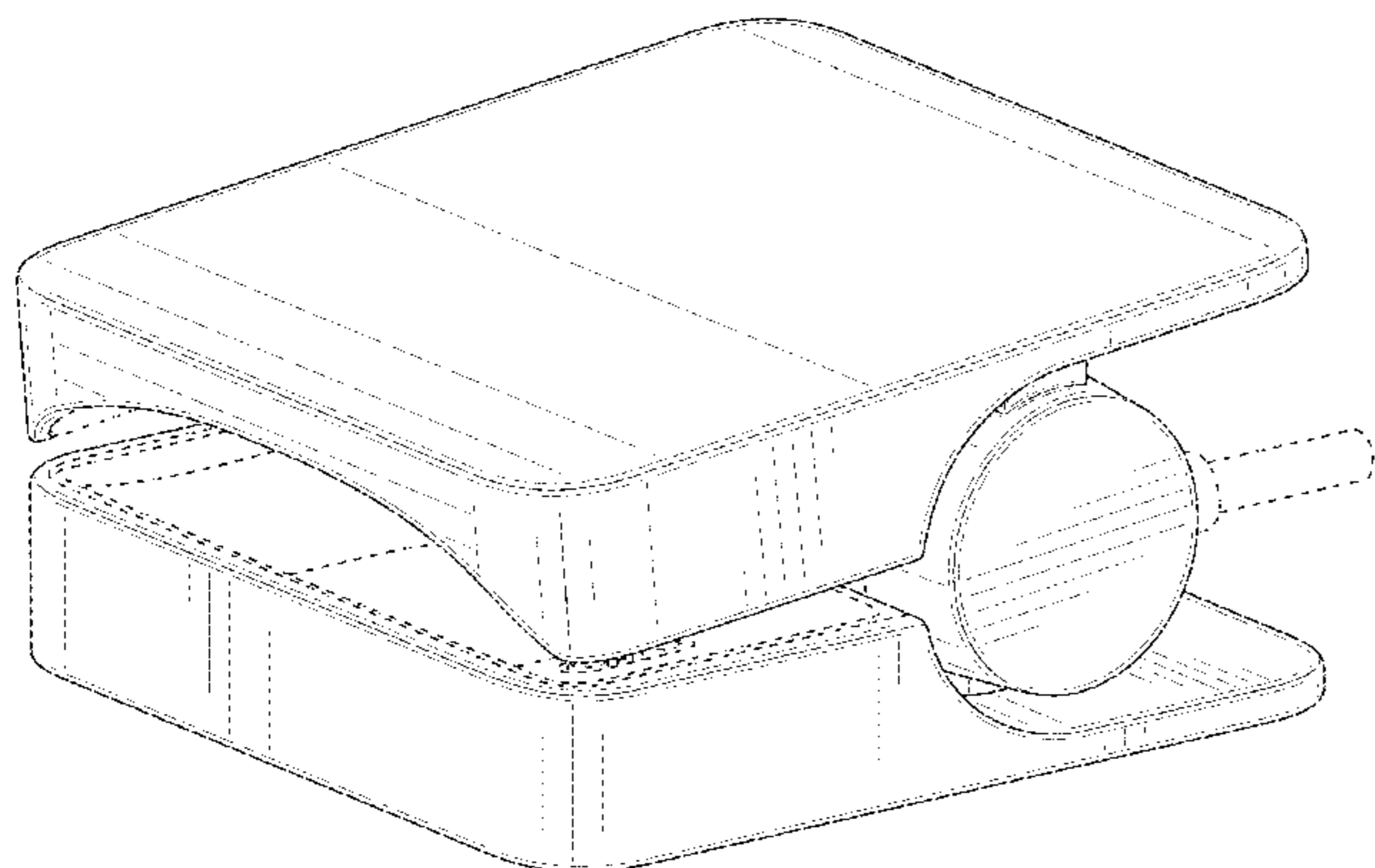
(57) **CLAIM**

The ornamental design for a charging clip, as shown and described.

DESCRIPTION

FIG. 1 is a top, front, right side perspective view of a charging clip, showing our new design; FIG. 2 is a top, back, left side perspective view thereof; FIG. 3 is a front elevation view thereof; FIG. 4 is a back elevation view thereof; FIG. 5 is a left side elevation view thereof; FIG. 6 is a right side elevation view thereof; FIG. 7 is a top plan view thereof; and, FIG. 8 is a bottom plan view thereof. The dashed broken lines depict portions of the charging clip that form no part of the claimed design.

1 Claim, 8 Drawing Sheets



(56)

References Cited

OTHER PUBLICATIONS

“Epson ProSense Charging Clip”. Found online Jan. 15, 2021 at epson.com. Reference dated Jan. 9, 2018. Retrieved from <https://tineye.com/search/5faf25807686a701eae1722e16b40c7466765c72?sort=score&order=desc&page=1>. (Year: 2018).*

“Garmin Charging Clip”. Found online Jan. 15, 2021 at [amazon.com](https://www.amazon.com). Reference dated Jun. 6, 2018. Retrieved from <https://www.amazon.com/Garmin-Charging-Multiple-Devices-010-11029-19/dp/B07BHKBVNX>. (Year: 2018).*

* cited by examiner

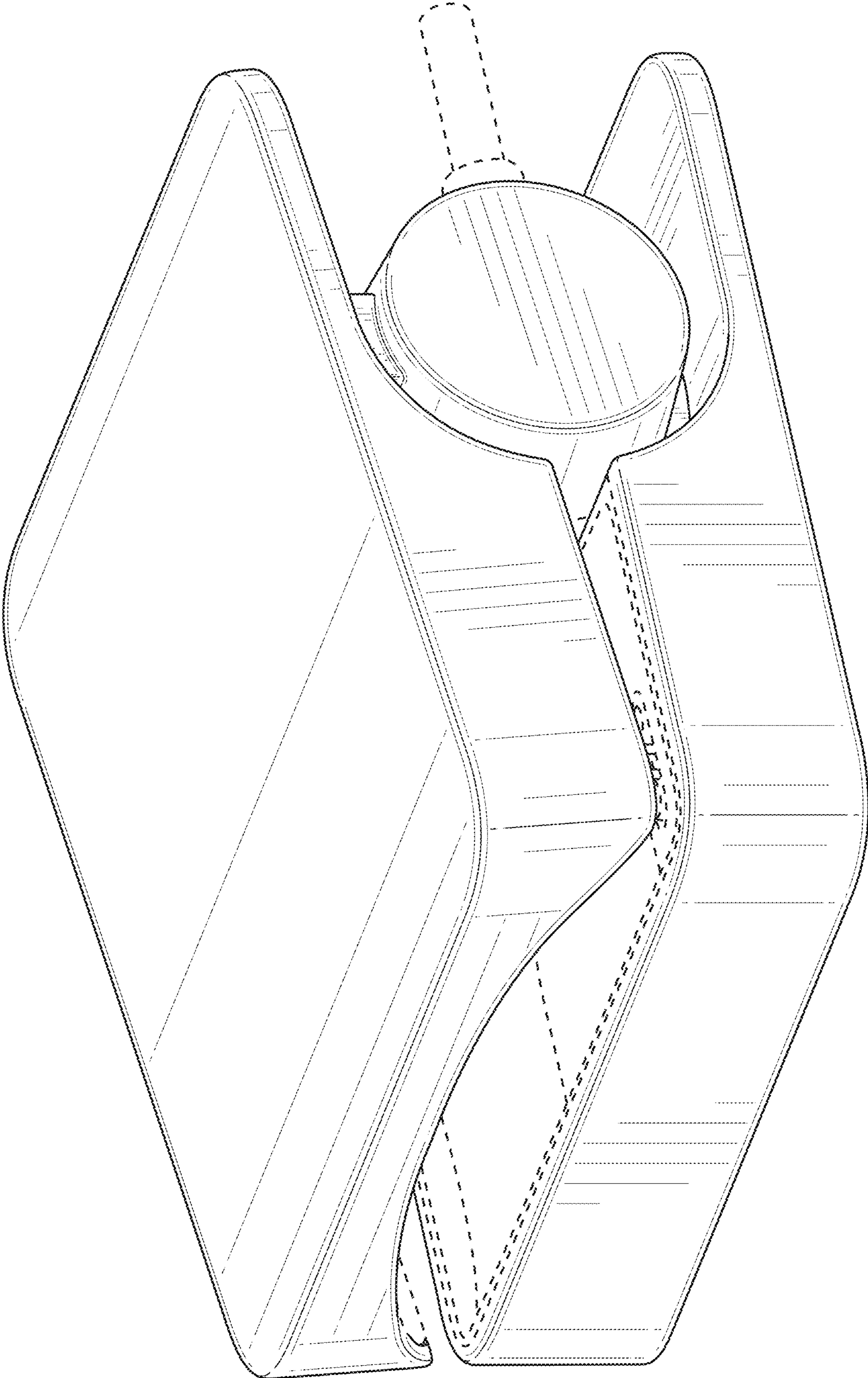


FIG. 1

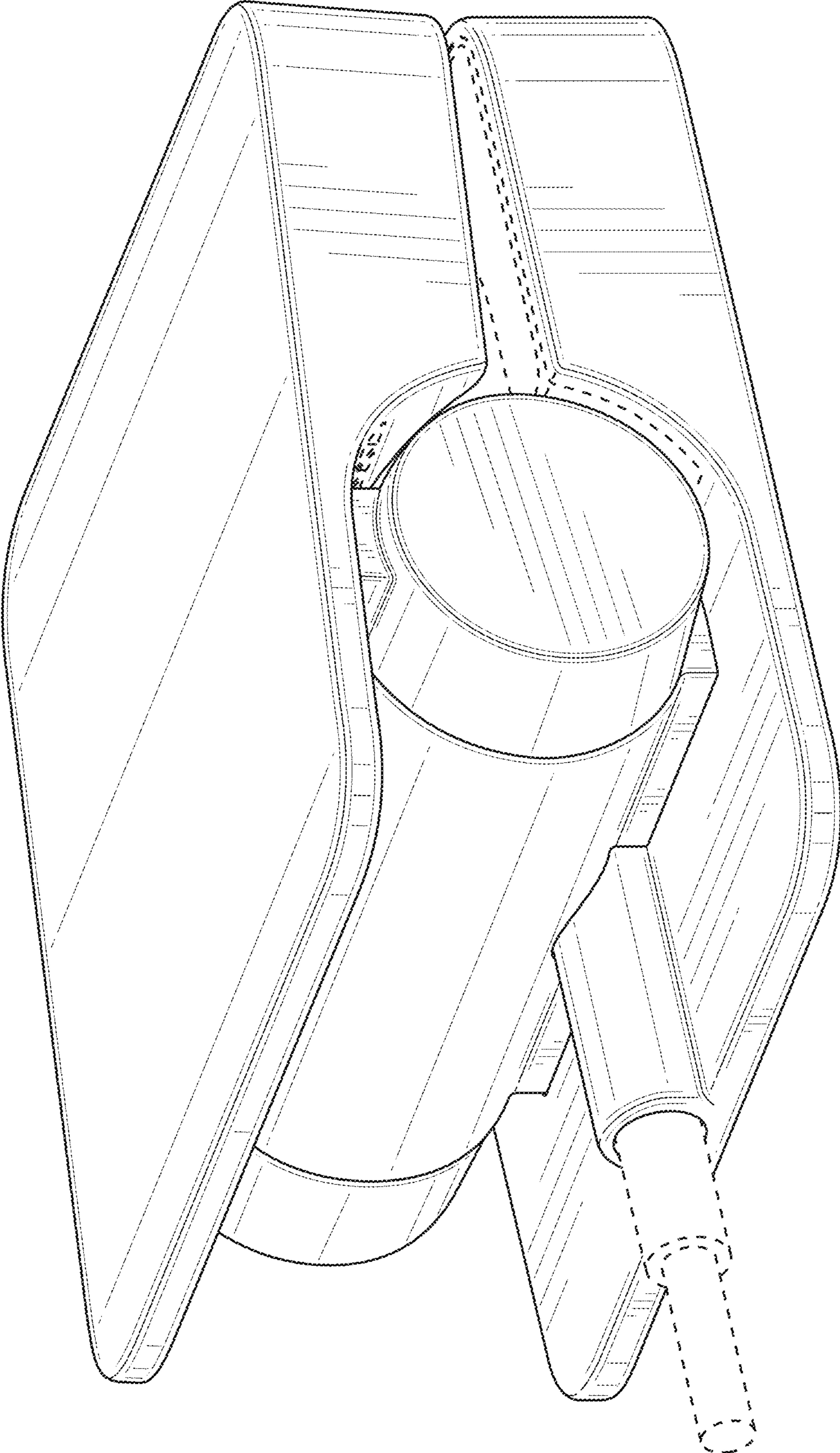


FIG. 2

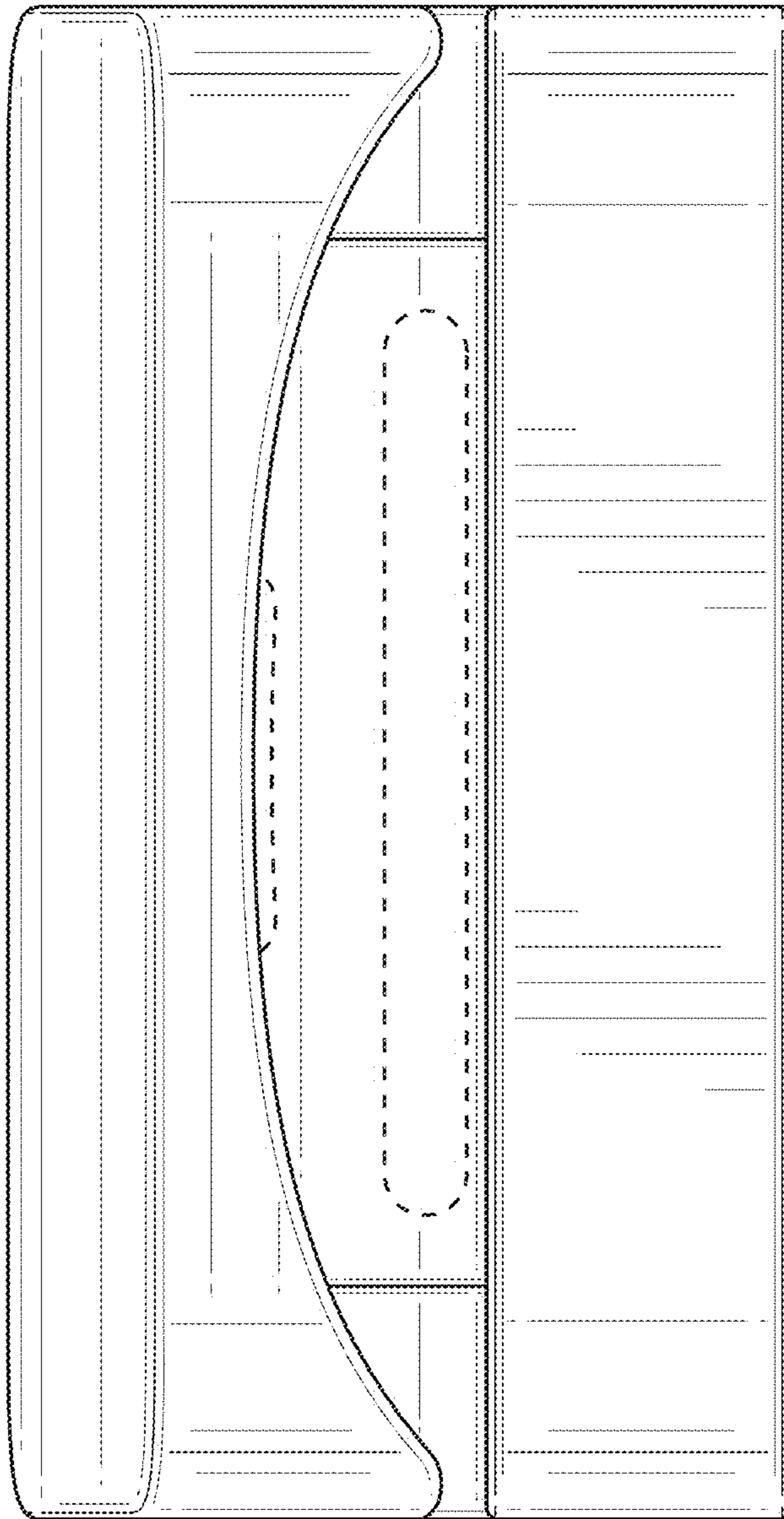


FIG. 3

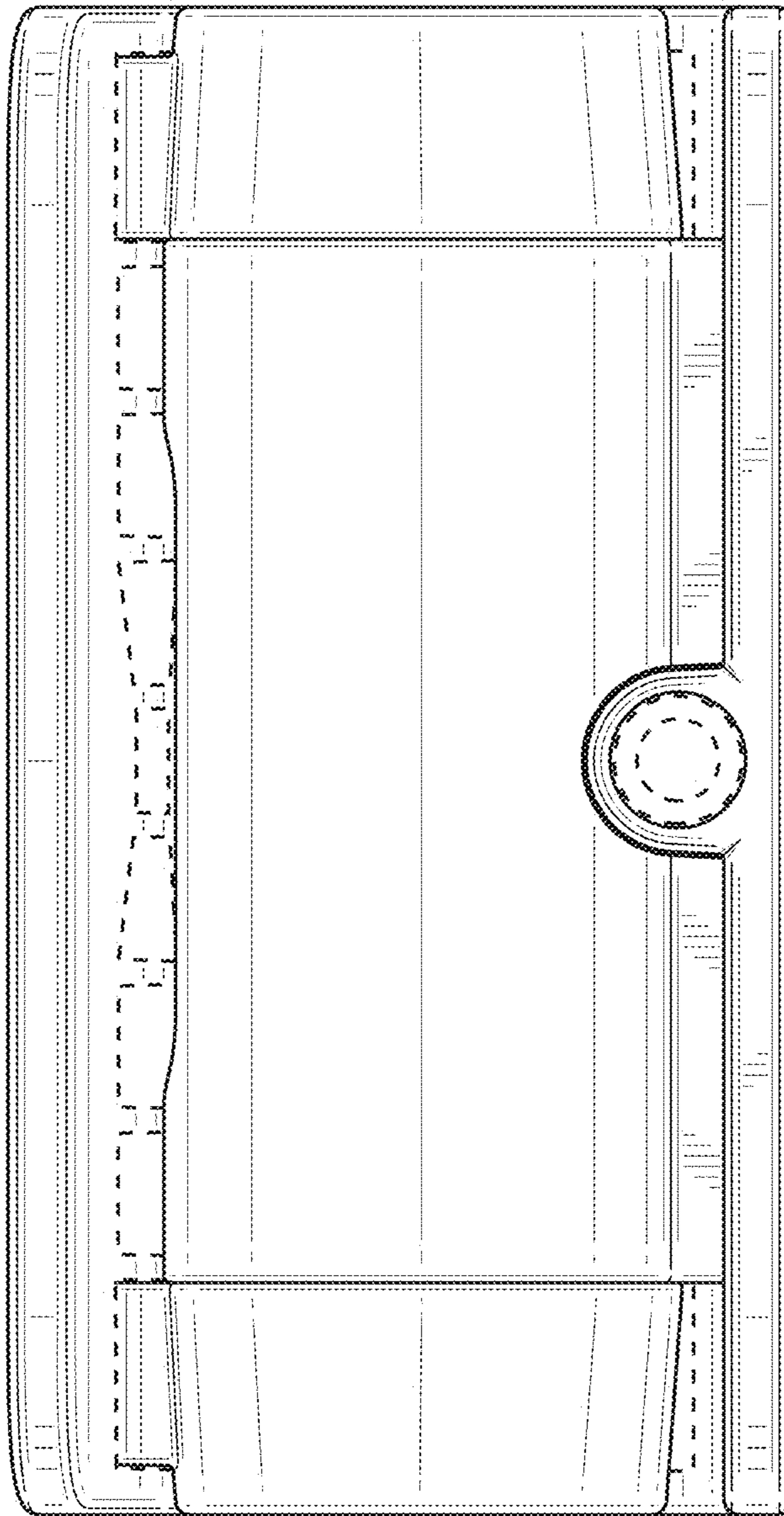


FIG. 4

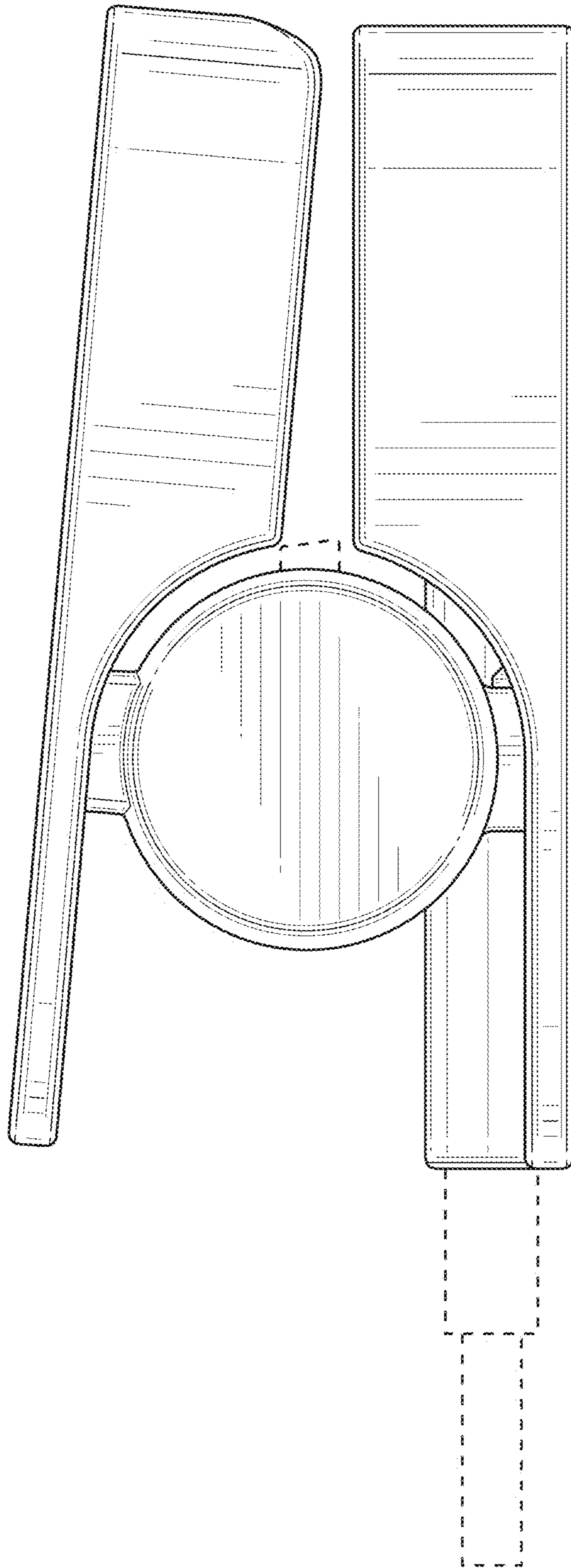


FIG. 5

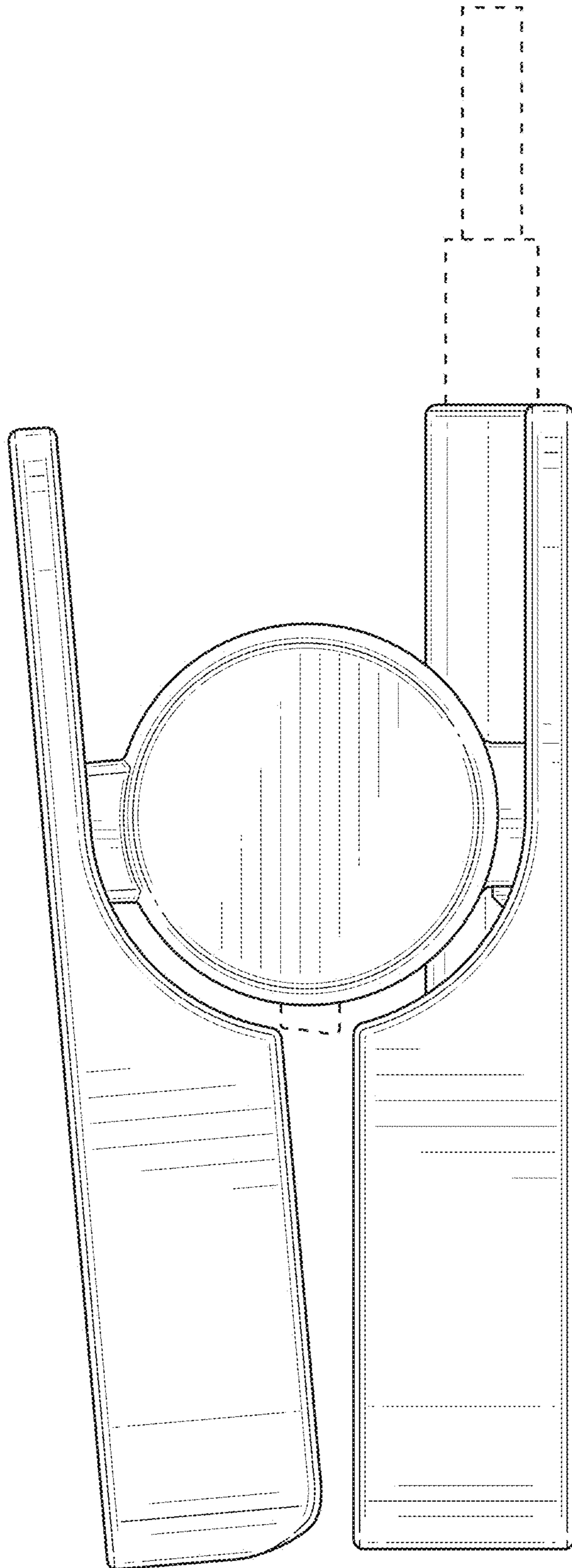


FIG. 6

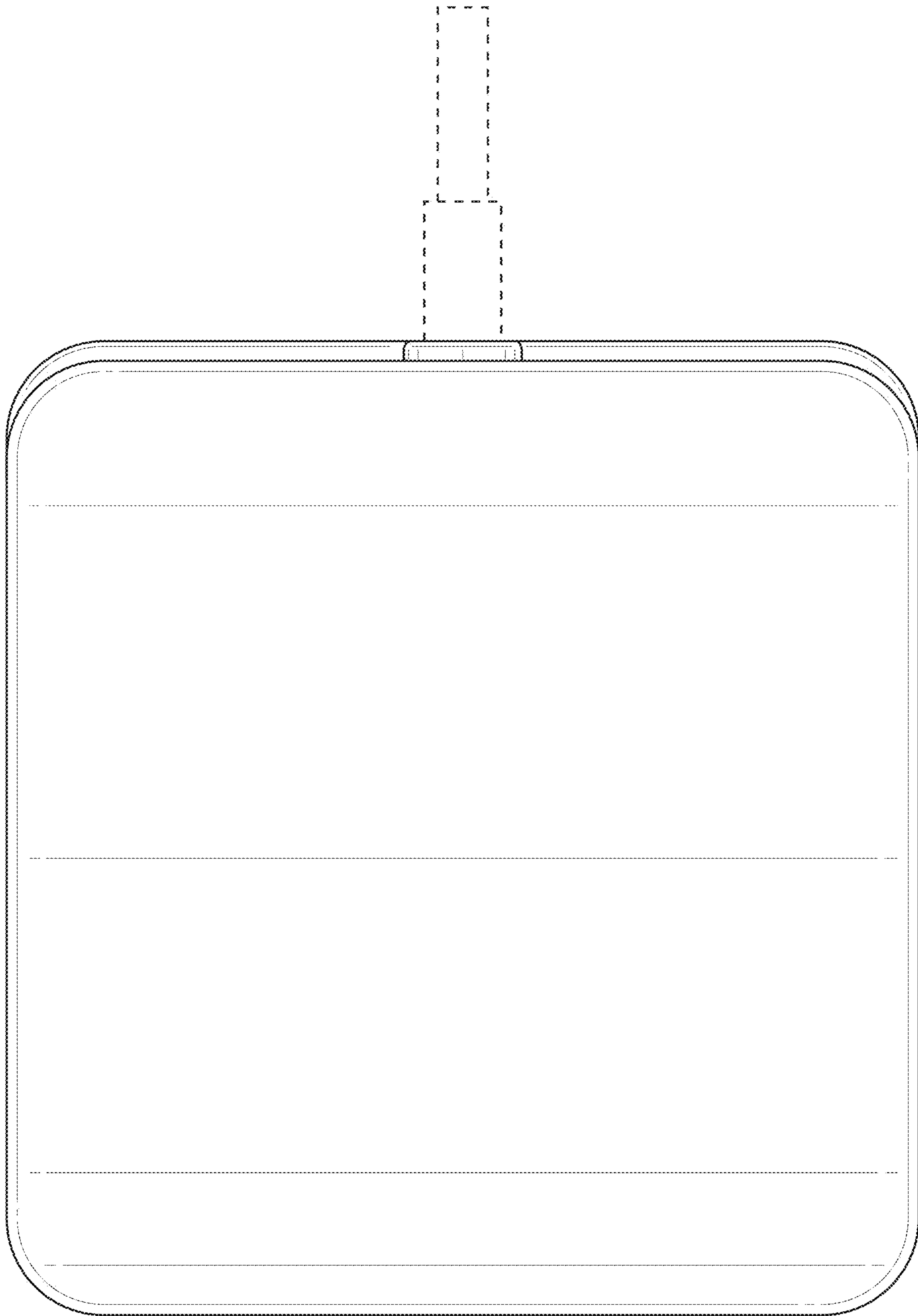


FIG. 7

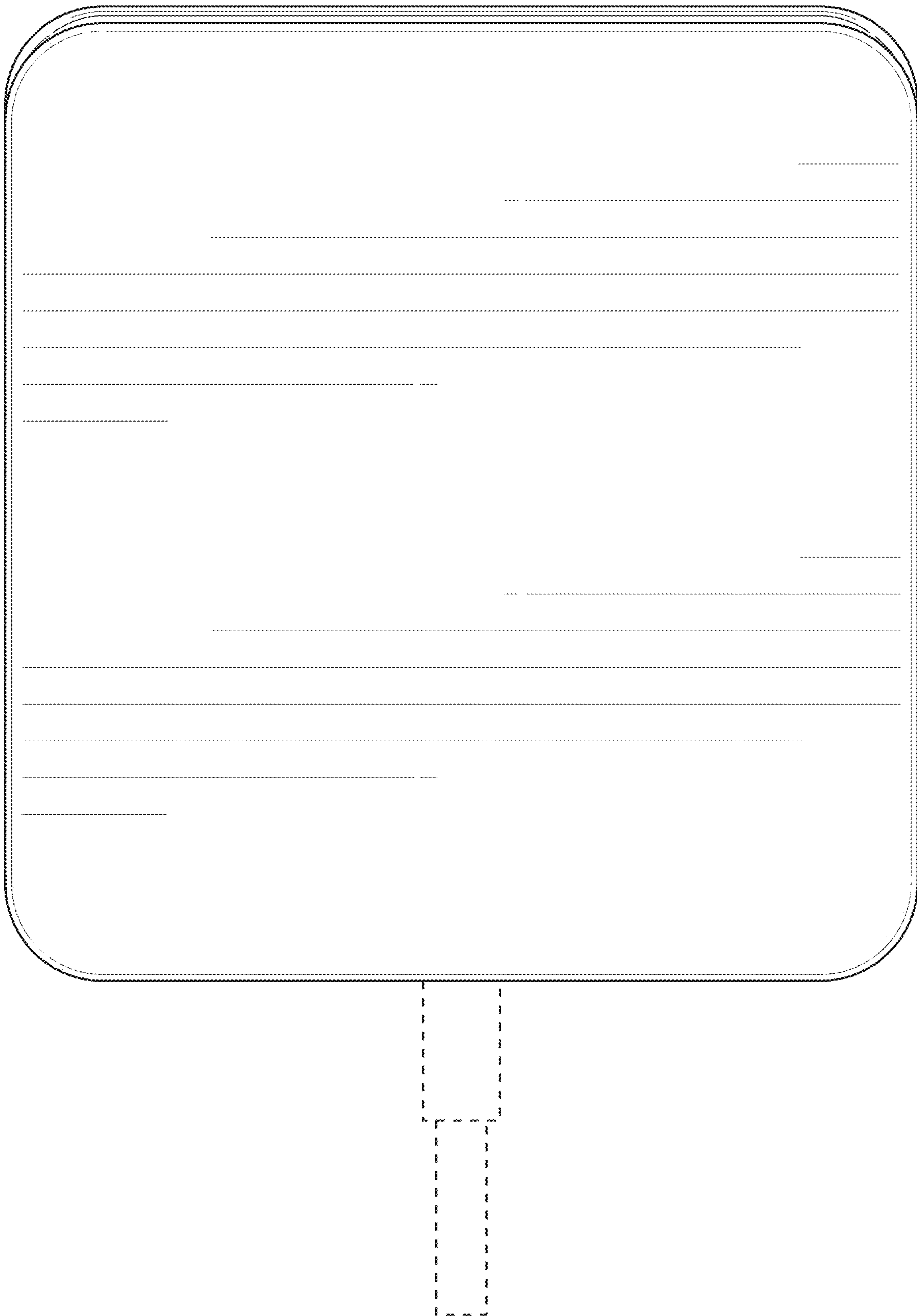


FIG. 8