



US00D937768S

(12) **United States Design Patent** (10) **Patent No.:** **US D937,768 S**
Desai et al. (45) **Date of Patent:** **** Dec. 7, 2021**

(54) **CHARGING BASE FOR A WIRELESS CAMERA**

FOREIGN PATENT DOCUMENTS

JP 2012-055697 A 3/2012
WO WO 2018/048466 A1 3/2018

(71) Applicant: **Integrated Endoscopy, Inc.**, Irvine, CA (US)

OTHER PUBLICATIONS

(72) Inventors: **Siddharth Balvantrai Desai**, Mission Viejo, CA (US); **Rofino Nakamichi Tangi**, Aliso Viejo, CA (US)

“Puluz Charging Dock”. Found online Jan. 21, 2021 at miabyron.blogspot.com. Reference dated Jun. 3, 2019. Retrieved from <https://miabyron.blogspot.com/2019/06/puluz-pu381-charging-dock-base-charger.html>. (Year: 2018).*

(73) Assignee: **Integrated Endoscopy, Inc.**, Irvine, CA (US)

“Acupress Pen Stand Holder”. Found online Dec. 29, 2020 at amazon.com. Reference dated Apr. 26, 2016. Retrieved from <https://www.amazon.com/Acupress-Holder-Compatible-Intuos-CTL680/dp/B01ESYEWU>. (Year: 2016).*

(**) Term: **15 Years**

(Continued)

(21) Appl. No.: **29/710,945**

Primary Examiner — Kendra Leslie Hamilton

Assistant Examiner — Amanda Christensen

(22) Filed: **Oct. 28, 2019**

(74) *Attorney, Agent, or Firm* — Knobbe, Martens, Olson & Bear LLP

(51) **LOC (13) Cl.** **13-02**

(52) **U.S. Cl.**
USPC **D13/108**

(57) **CLAIM**

The ornamental design for a charging base for a wireless camera, as shown and described.

(58) **Field of Classification Search**

DESCRIPTION

USPC D13/103, 107, 108, 109, 110, 116, 118,
D13/119, 199; D14/524, 526, 534;
D16/242, 327, 237; D27/172, 183, 186,
D27/193; D6/524, 526, 534
CPC H04R 1/1025; H02J 7/342; H02J 50/00
See application file for complete search history.

FIG. 1 is a top, front, right side perspective view of a charging base for a wireless camera, showing our new design;

FIG. 2 is a front elevation view thereof;

FIG. 3 is a rear elevation view thereof;

FIG. 4 is a left side elevation view thereof;

FIG. 5 is a right side elevation view thereof;

FIG. 6 is a top plan view thereof;

FIG. 7 is a bottom plan view thereof; and,

FIG. 8 is a top, front, right side perspective view of the charging base for a wireless camera of FIG. 1, shown in a condition of use.

Broken lines in the drawings depict portions of the charging base for a wireless camera that form no part of the claimed design. In FIG. 8, the broken lines showing a wireless camera depict environmental subject matter only, and form no part of the claimed design.

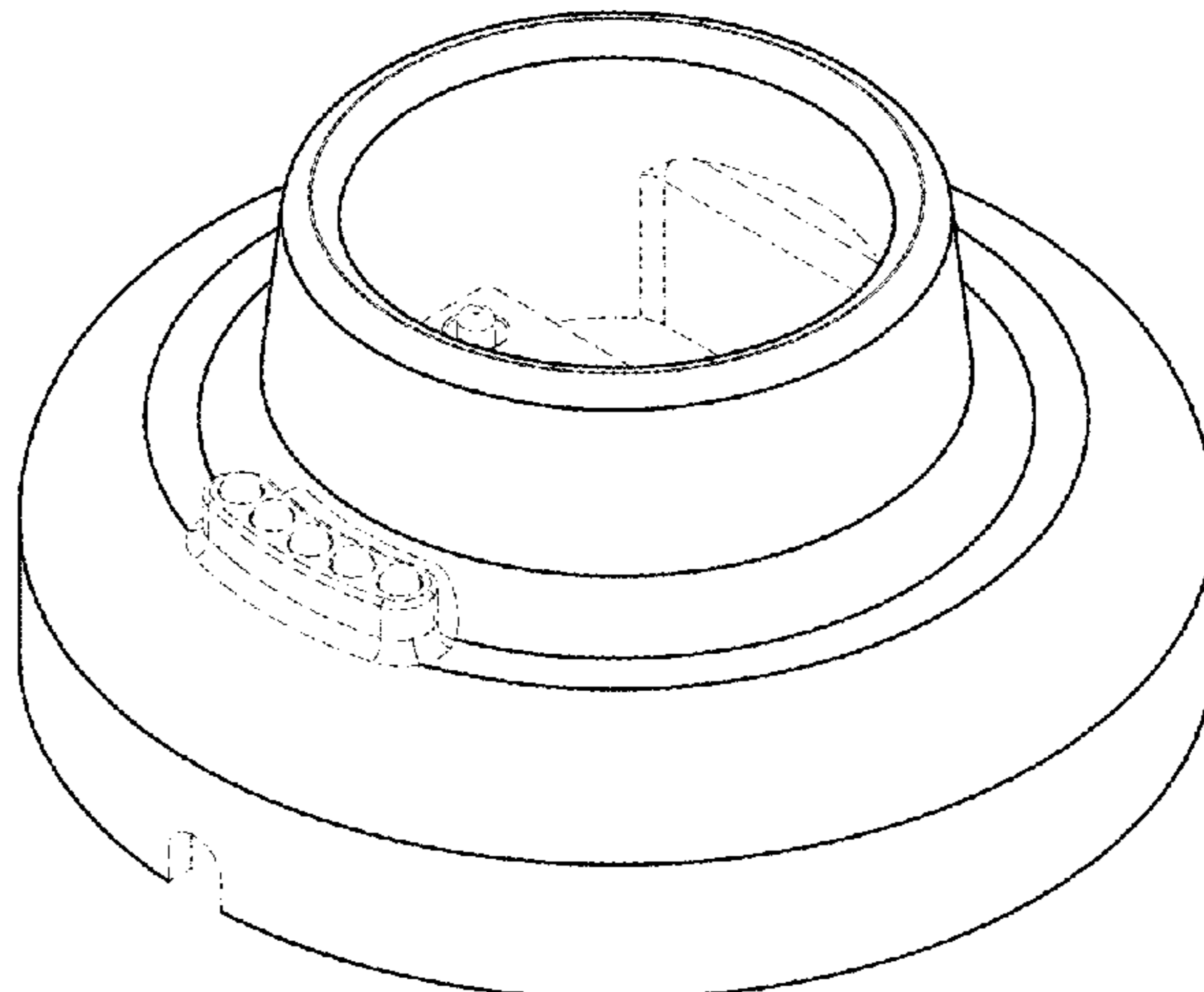
(56) **References Cited**

U.S. PATENT DOCUMENTS

D409,563 S * 5/1999 Haase D13/107
D471,578 S * 3/2003 Okuley D13/108
D508,458 S * 8/2005 Solland D13/108
D521,927 S * 5/2006 Franck D13/108
D524,282 S * 7/2006 Beasley D13/108
D602,858 S * 10/2009 Ellis D13/108
D627,718 S * 11/2010 Houghton D13/108
D653,206 S 1/2012 Heine
D676,377 S 2/2013 Nokuo

(Continued)

1 Claim, 6 Drawing Sheets



(56)

References Cited

U.S. PATENT DOCUMENTS

D677,830	S	3/2013	Daniels	
D735,133	S *	7/2015	Reishus	D13/108
D762,571	S	8/2016	Lee	
D810,679	S	2/2018	Patton	
D813,806	S	3/2018	Ito	
D864,857	S	10/2019	Clark	
D890,088	S *	7/2020	Machida	D13/107
D892,907	S *	8/2020	Chan	A45C 13/02 D16/237
D895,542	S	9/2020	Bell	
D900,737	S	11/2020	Hsu	
D902,150	S	11/2020	Sun	
2003/0146735	A1 *	8/2003	Barbeau	F21L 2/00 320/114
2006/0262525	A1	11/2006	Barbeau	
2009/0057544	A1 *	3/2009	Brodie	H04N 5/2257 250/239
2010/0145146	A1	6/2010	Melder	
2011/0317403	A1 *	12/2011	Fournier	H02J 7/00 362/183
2013/0324794	A1	12/2013	Covert et al.	
2017/0187212	A1	6/2017	Hemesath	
2019/0142256	A1	5/2019	Zhao et al.	

OTHER PUBLICATIONS

“Kebor Hair Clippers”. Found online Dec. 30, 2020 at amazon.com. Reference dated Apr. 19, 2019. Retrieved from <https://us.amazon.com/Kebor-Clippers-Electric-Rechargeable-Lithium-ion/dp/B079GS6CDH>. (Year: 2019).*

“Charging Dock and Base for Knuckle Lights Advanced”. Found online Dec. 30, 2020 at knucklelights.com. Reference dated Jun. 25, 2019. Retrieved from <https://knucklelights.com/products/charging-base>. (Year: 2020).

International Search Report and Written Opinion dated May 14, 2021, received in International Patent Application No. PCT/US2021/014234, 13 pages.

“Revolabs Charger Base”. Found online Dec. 30, 2020 at bhphotovideo.com. Reference dated Aug. 15, 2016. Retrieved from https://www.bhphotovideo.com/c/product/894848-REG/revolabs_02hddualchg11_charger_base_for_hd.html/qa. (Year: 2016).

“Nikon Battery Charger Set”. Found online Jan. 21, 2021 at newbecca.com. Reference dated Feb. 9, 2018. Retrieved from https://tineye.com/search/35fa9bc083a5e4b862a861548dc19c9785657fc7?sort=crawl_date&order=asc&page=1. (Year: 2018).

* cited by examiner

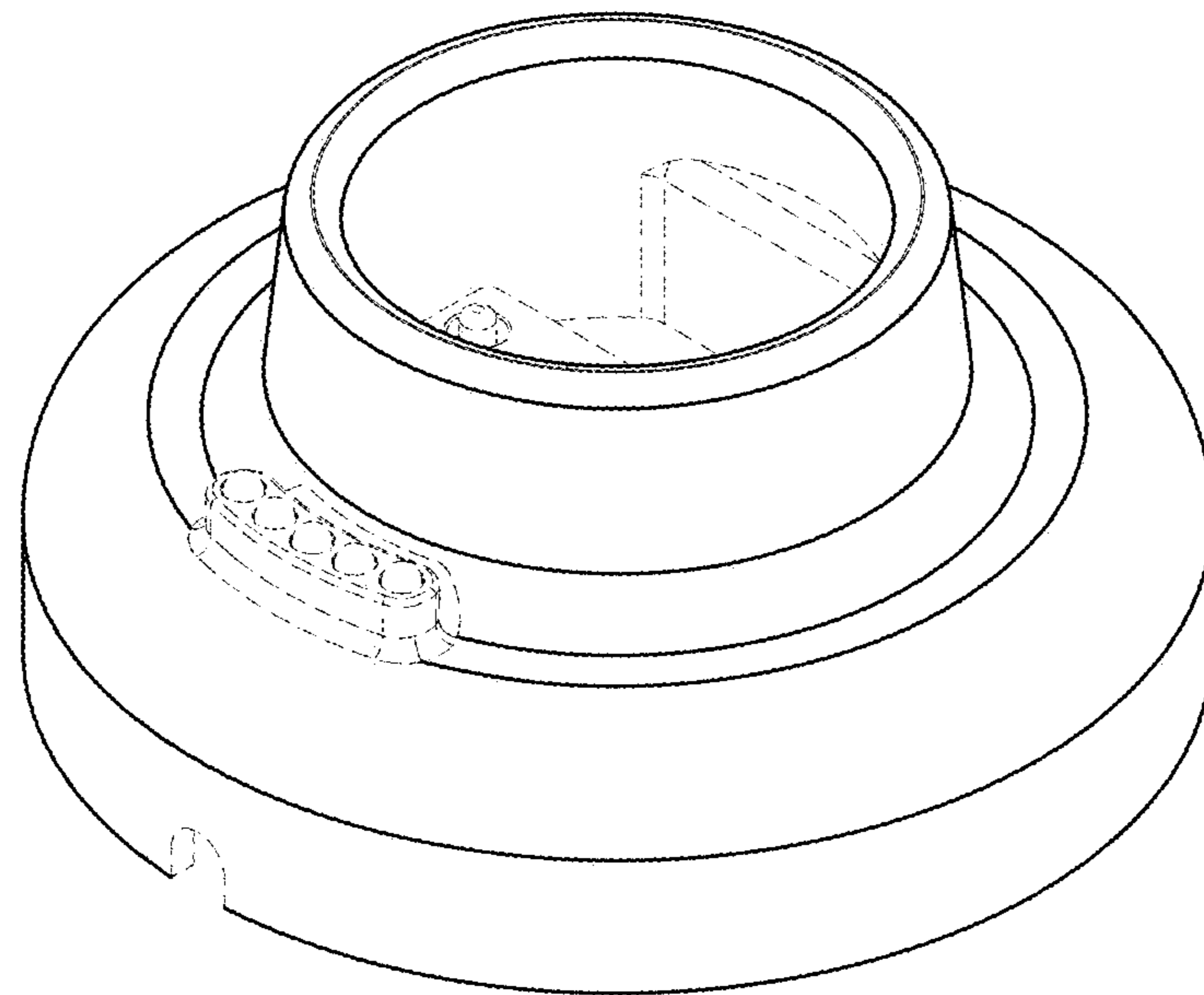


FIG. 1

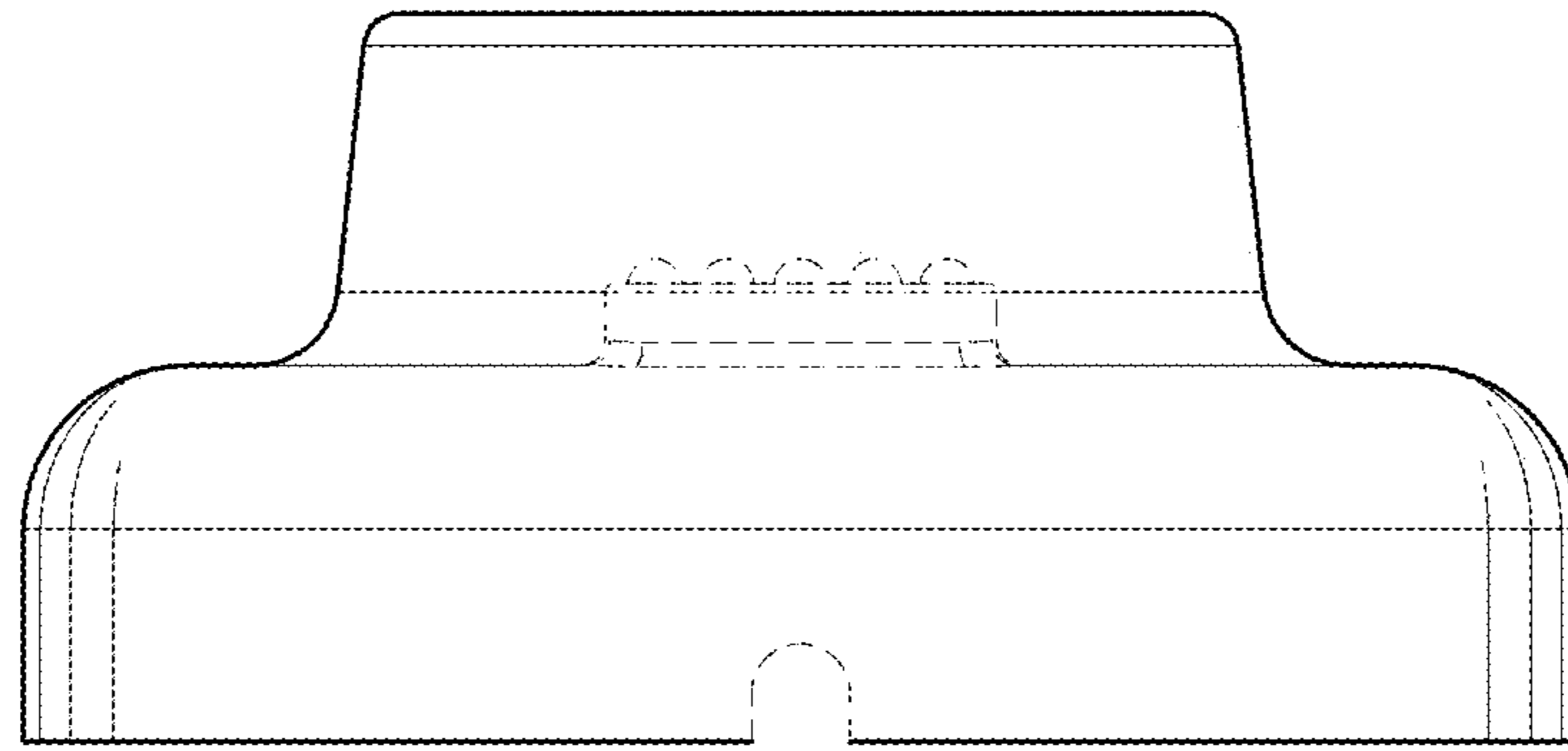


FIG. 2

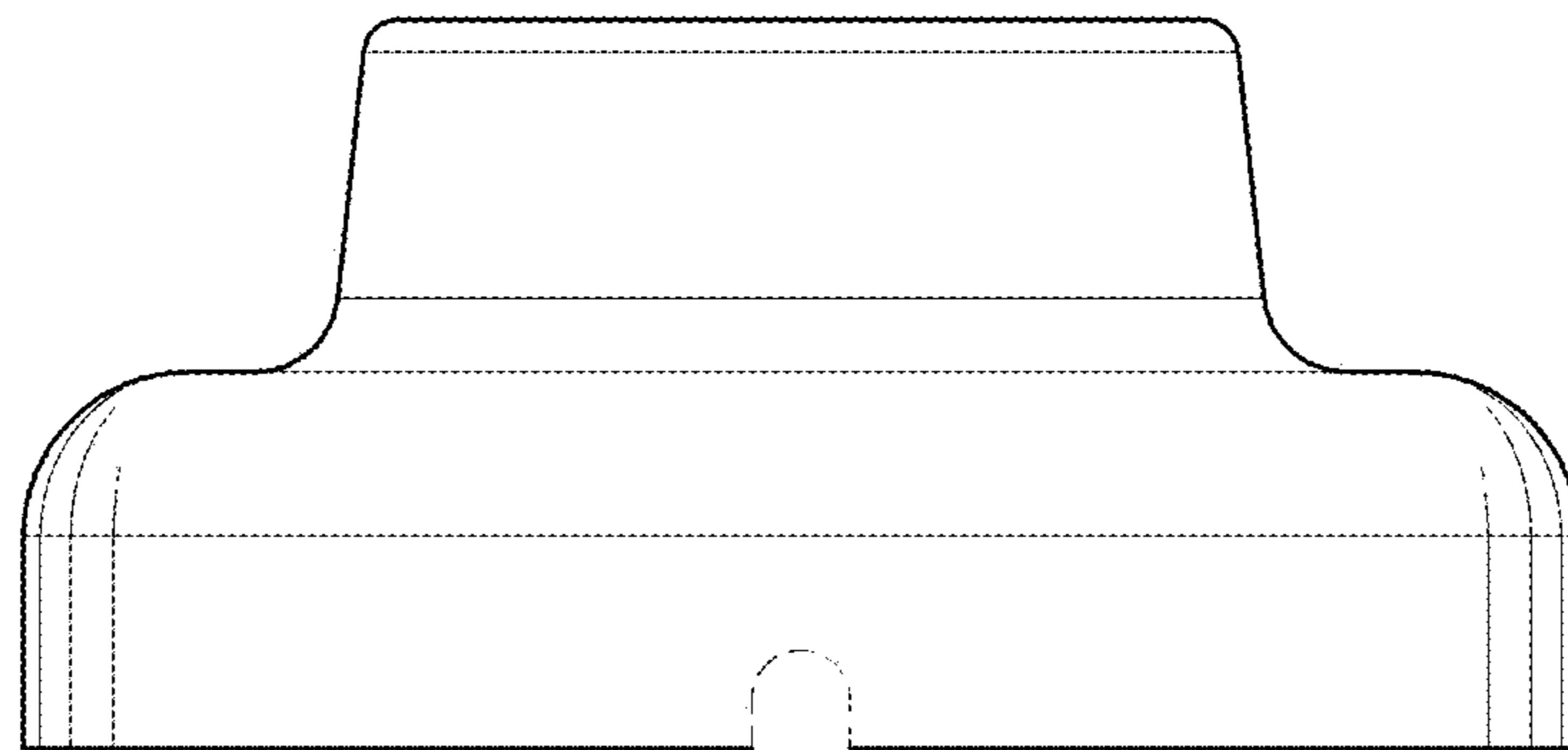


FIG. 3

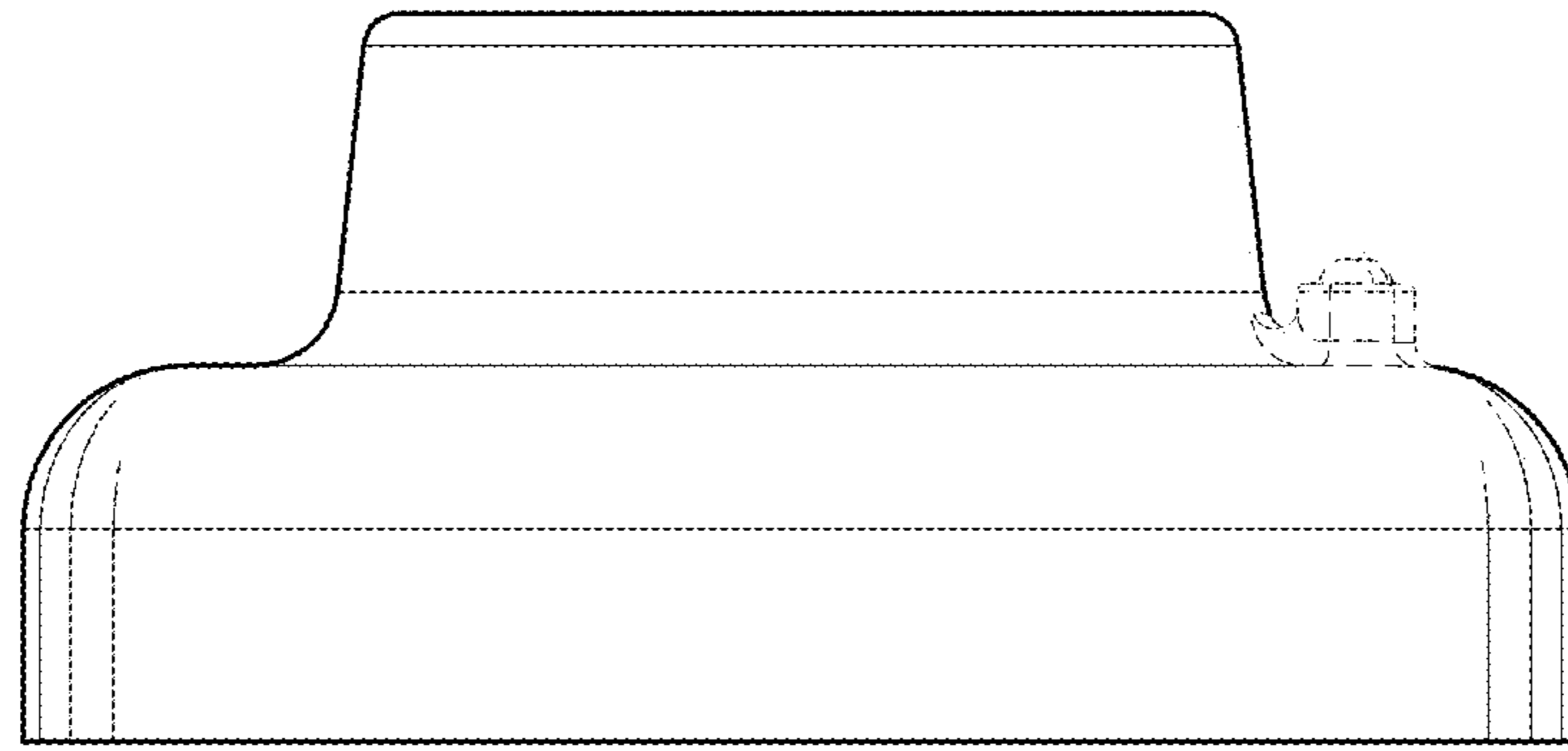


FIG. 4

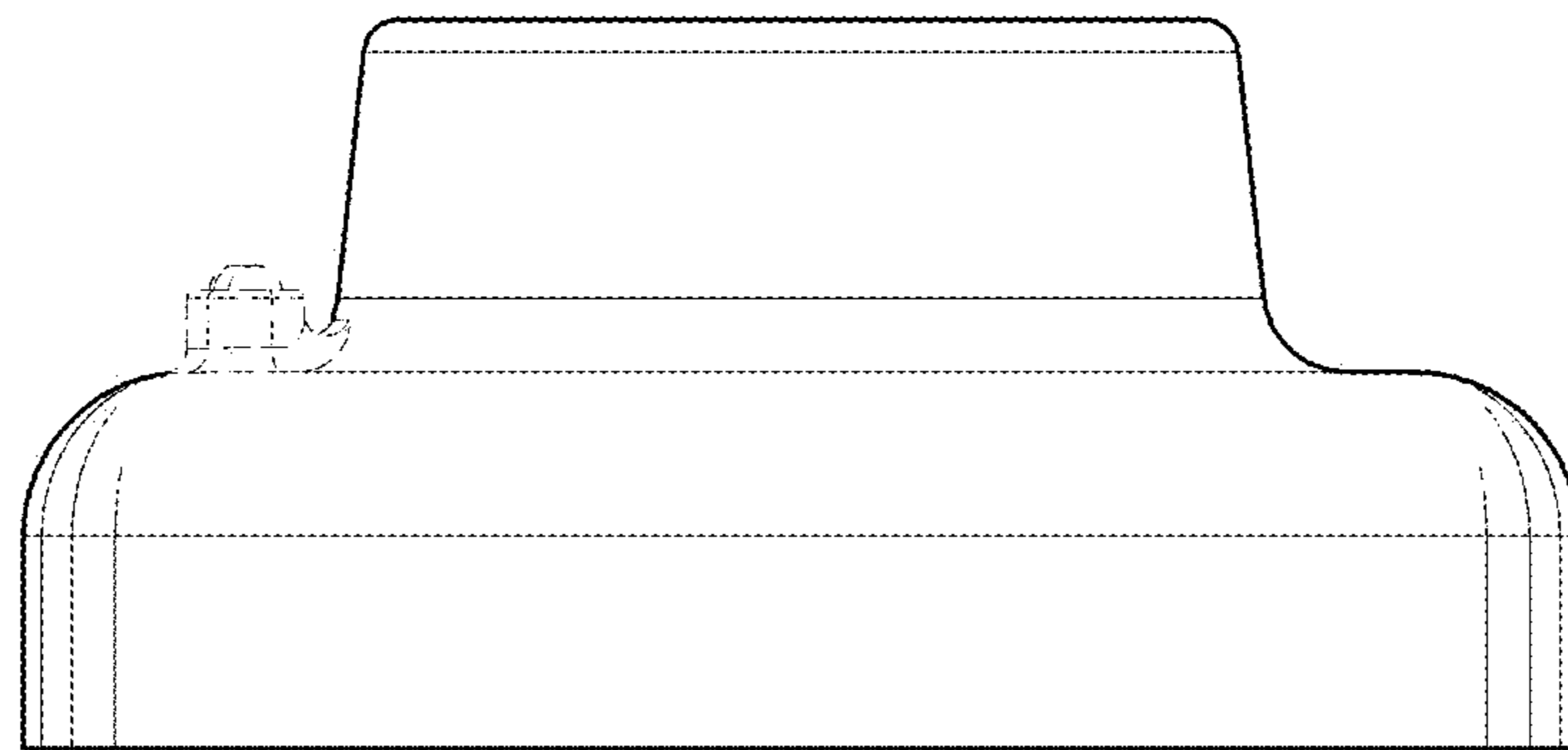


FIG. 5

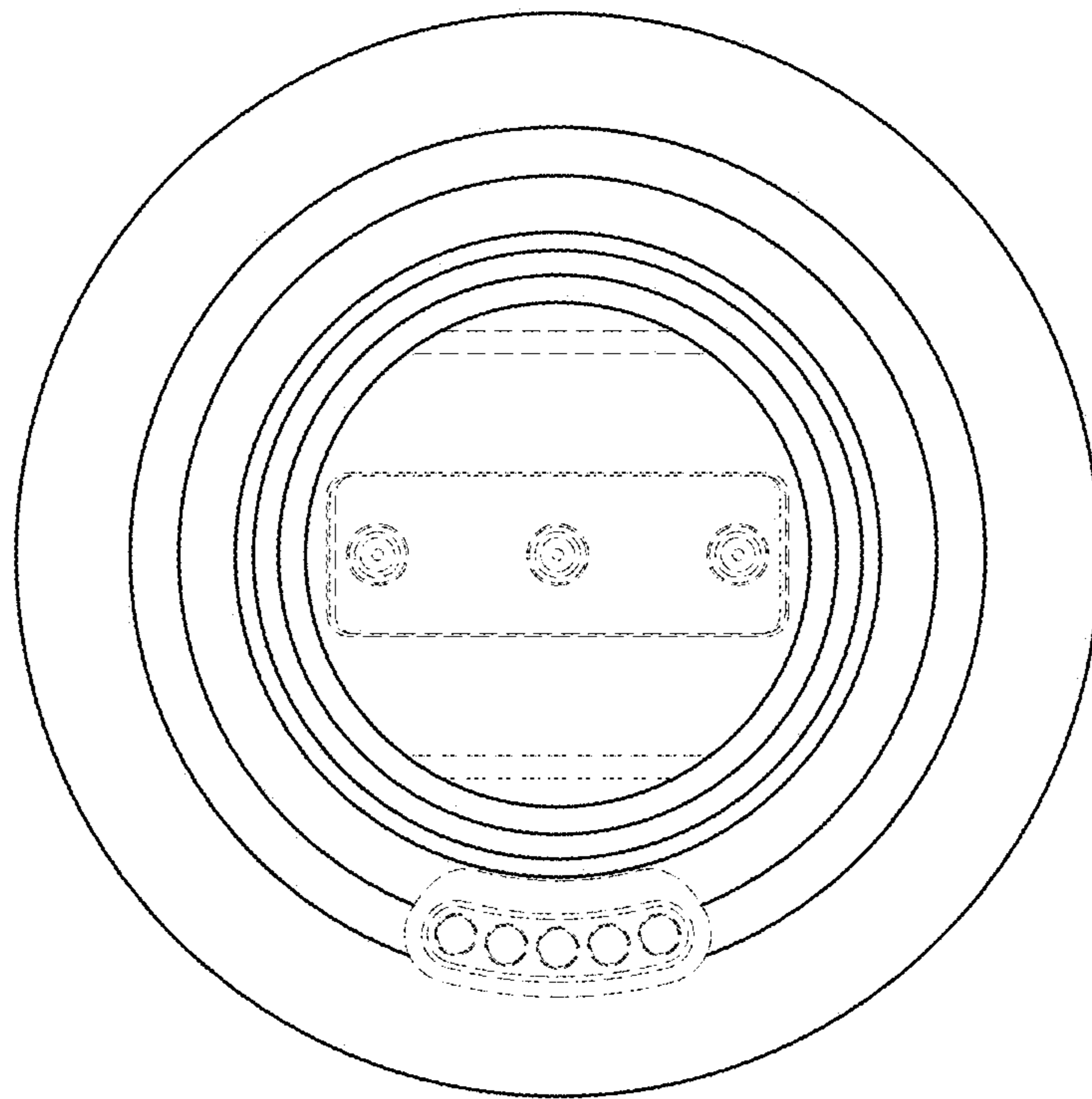


FIG. 6

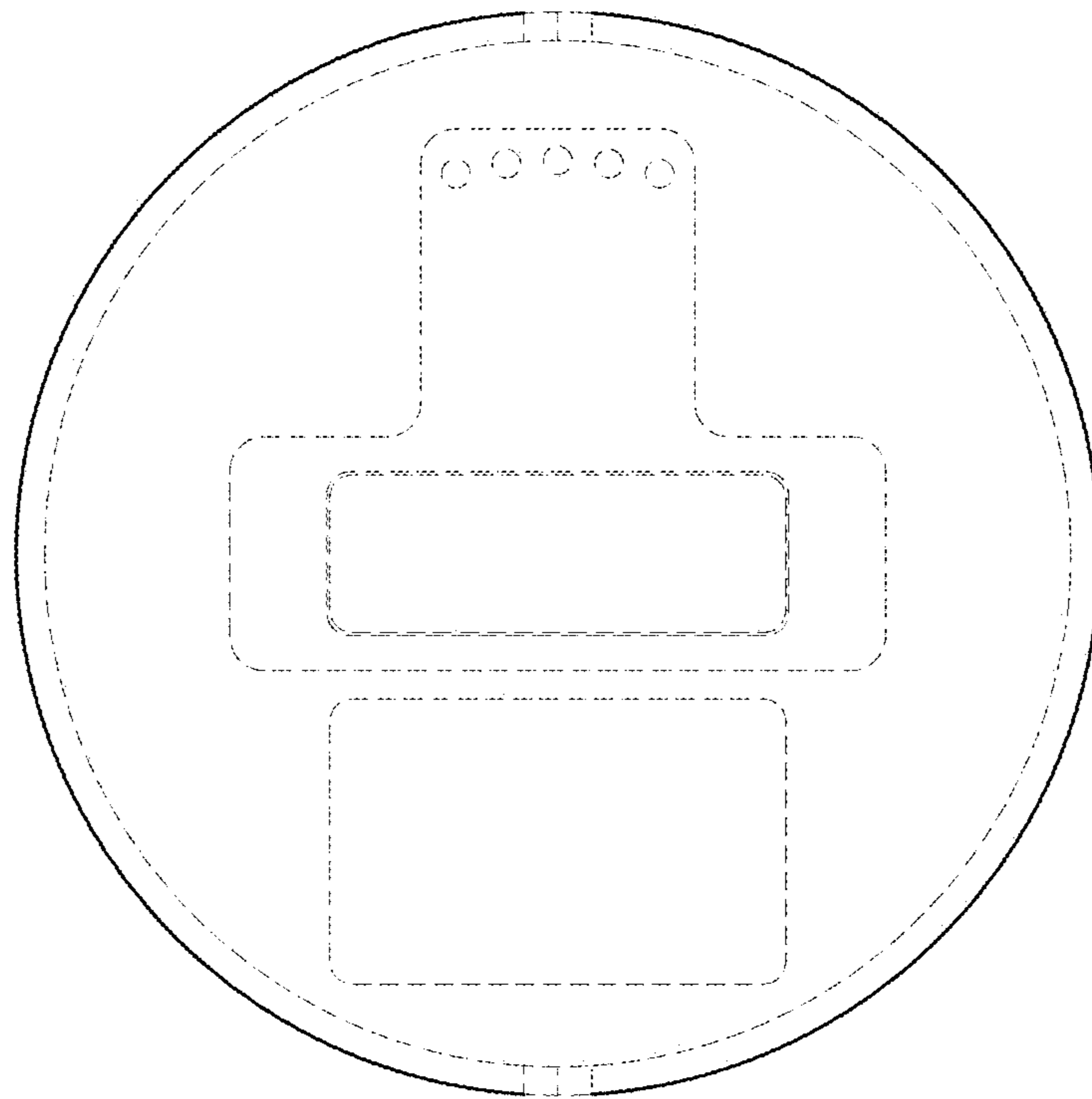


FIG. 7

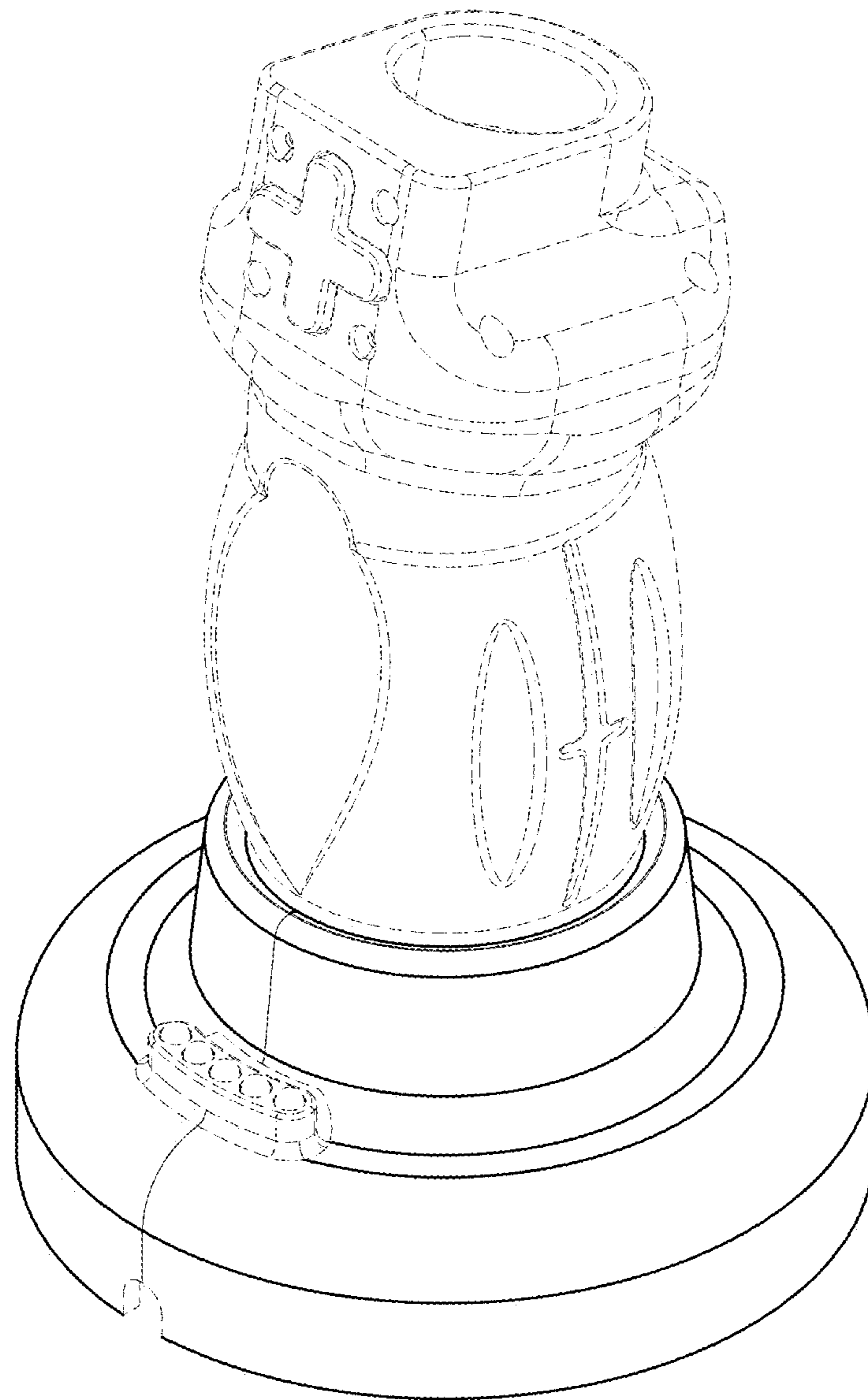


FIG. 8