



US00D937767S

(12) **United States Design Patent** (10) **Patent No.:** **US D937,767 S**
Treat (45) **Date of Patent:** **** Dec. 7, 2021**

(54) **CHARGING DEVICE**

(71) Applicant: **Jasco Products Company LLC**,
Oklahoma City, OK (US)

(72) Inventor: **Jon Treat**, Edmond, OK (US)

(73) Assignee: **Jasco Products Company LLC**,
Oklahoma City, OK (US)

(**) Term: **15 Years**

(21) Appl. No.: **29/709,526**

(22) Filed: **Oct. 15, 2019**

(51) **LOC (13) Cl.** **13-02**

(52) **U.S. Cl.**
USPC **D13/108**

(58) **Field of Classification Search**
USPC D13/110, 137.2, 133, 139.8, 153, 103,
D13/199, 107, 139.4, 139.5, 118, 108,
D13/102, 119, 137.1, 137.3, 137.4, 138.1,
D13/138.2, 139.1, 139.2, 139.3, 139.6,
D13/139.7, 152, 162, 164, 184; D14/432,
D14/433, 434, 372

CPC H02J 7/0027; H02J 7/02; H01R 13/20;
H01R 13/26; H01R 13/6675; H01R
25/00; H01R 25/003

See application file for complete search history.

(56) **References Cited**

U.S. PATENT DOCUMENTS

- 5,547,399 A * 8/1996 Naghi H01R 27/00
439/623
- D719,092 S * 12/2014 Huang D13/110
- D720,692 S * 1/2015 Matsuoka D13/110
- D778,913 S * 2/2017 Huang D14/433
- D820,209 S 6/2018 Lemelson et al.
- D834,516 S 11/2018 Jin
- D842,804 S 3/2019 Tong

- D845,894 S * 4/2019 Clark D13/108
- D871,343 S * 12/2019 Yu D13/139.8
- D884,626 S * 5/2020 Lyu D13/110
- D891,362 S * 7/2020 Milroy D13/103

FOREIGN PATENT DOCUMENTS

CN 303887318 * 10/2016

OTHER PUBLICATIONS

“GE Pro 2-USB Wall Charger, Black”, first accessed Sep. 13, 2021.
ByJasco.com [https://byjasco.com/ge-pro-wall-charger-2-usb-ports-
foldable-plug-black (Year: 2021).*

* cited by examiner

Primary Examiner — Rosemary K Tarcza
Assistant Examiner — Seth David Kumpf
(74) *Attorney, Agent, or Firm* — Resolution Legal Group;
Bruce P. LaBrie

(57) **CLAIM**

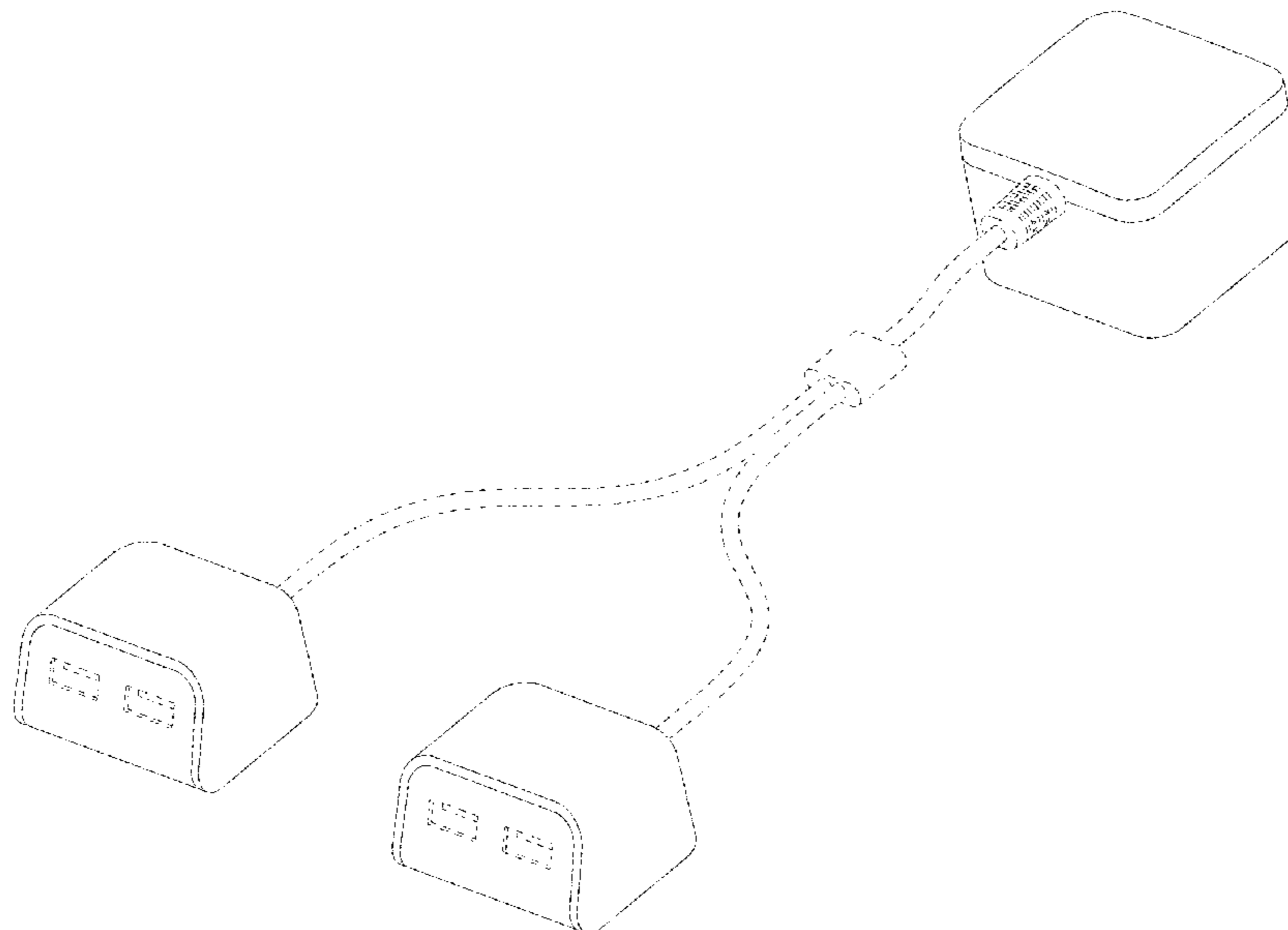
The ornamental design for a charging device, as shown and described.

DESCRIPTION

FIG. 1 is a front perspective view of a charging device showing my new design;
FIG. 2 is a rear perspective view thereof;
FIG. 3 is another rear perspective view thereof;
FIG. 4 is a front elevational view thereof;
FIG. 5 is a left elevational view thereof;
FIG. 6 is a right elevational view thereof;
FIG. 7 is a rear elevational view thereof;
FIG. 8 is a top view thereof; and,
FIG. 9 is a bottom view thereof.

The structural features depicted by broken lines have been shown for the purpose of illustrating portions of the charging device that form no part of the claimed design.

1 Claim, 7 Drawing Sheets



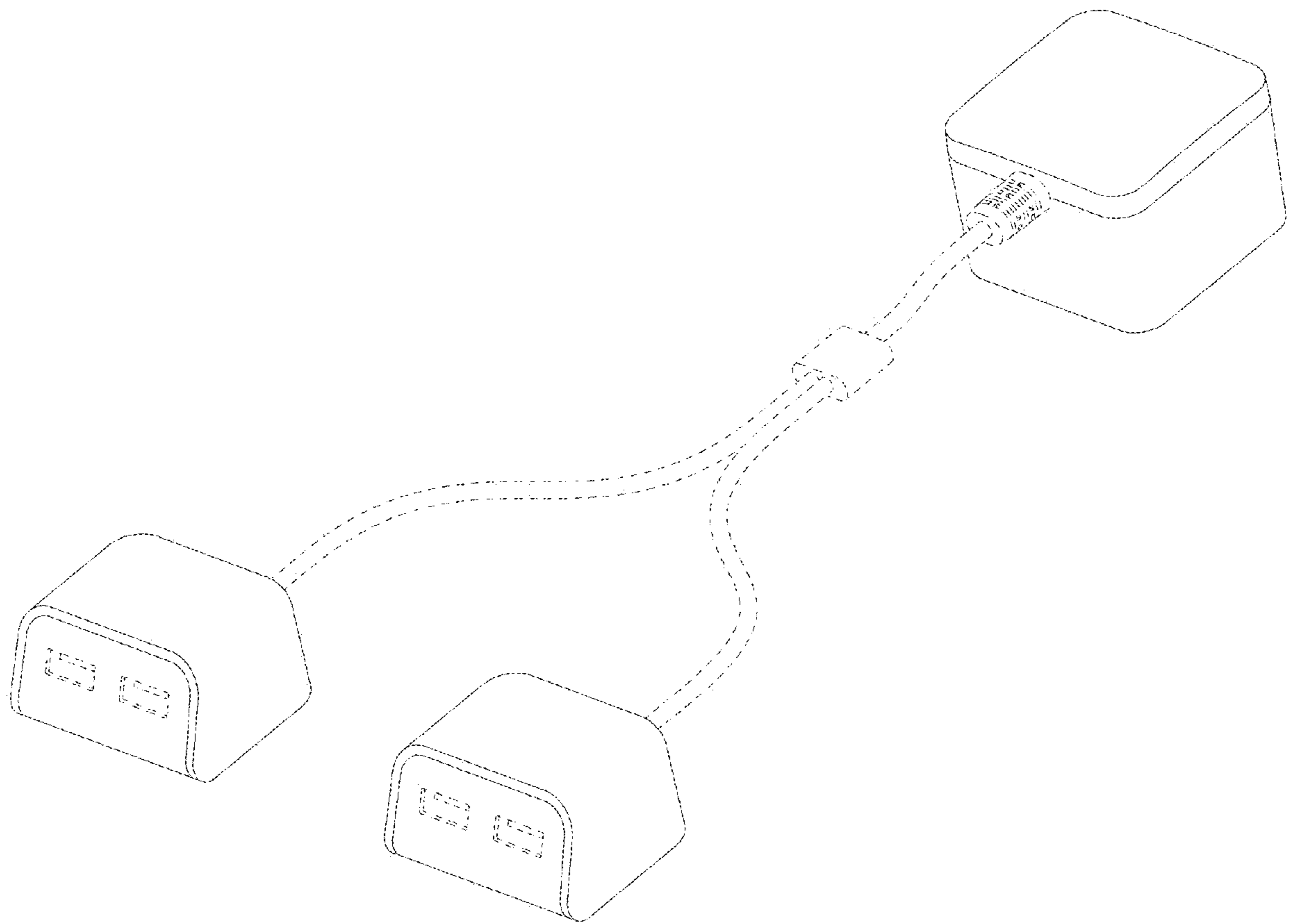


FIG. 1

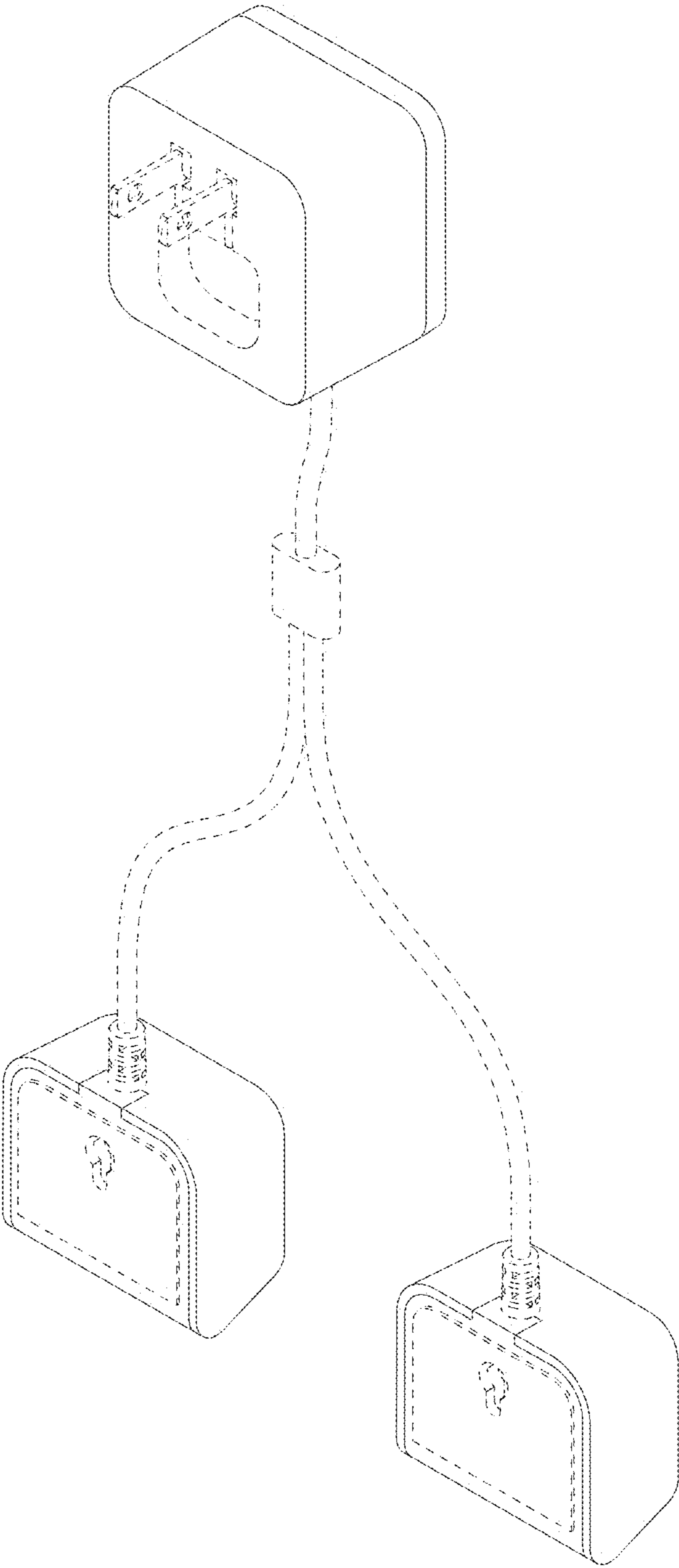


FIG. 2

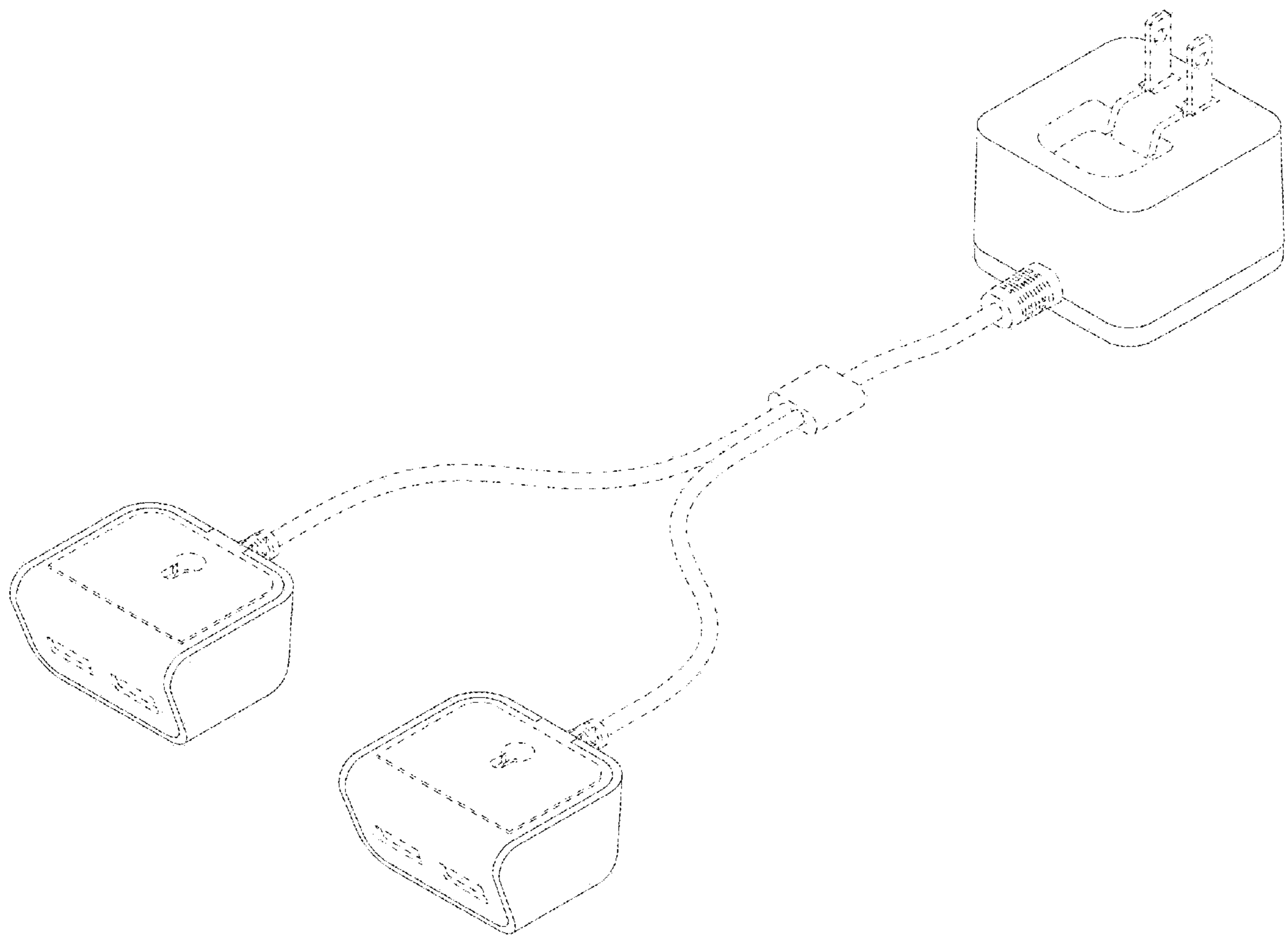


FIG. 3

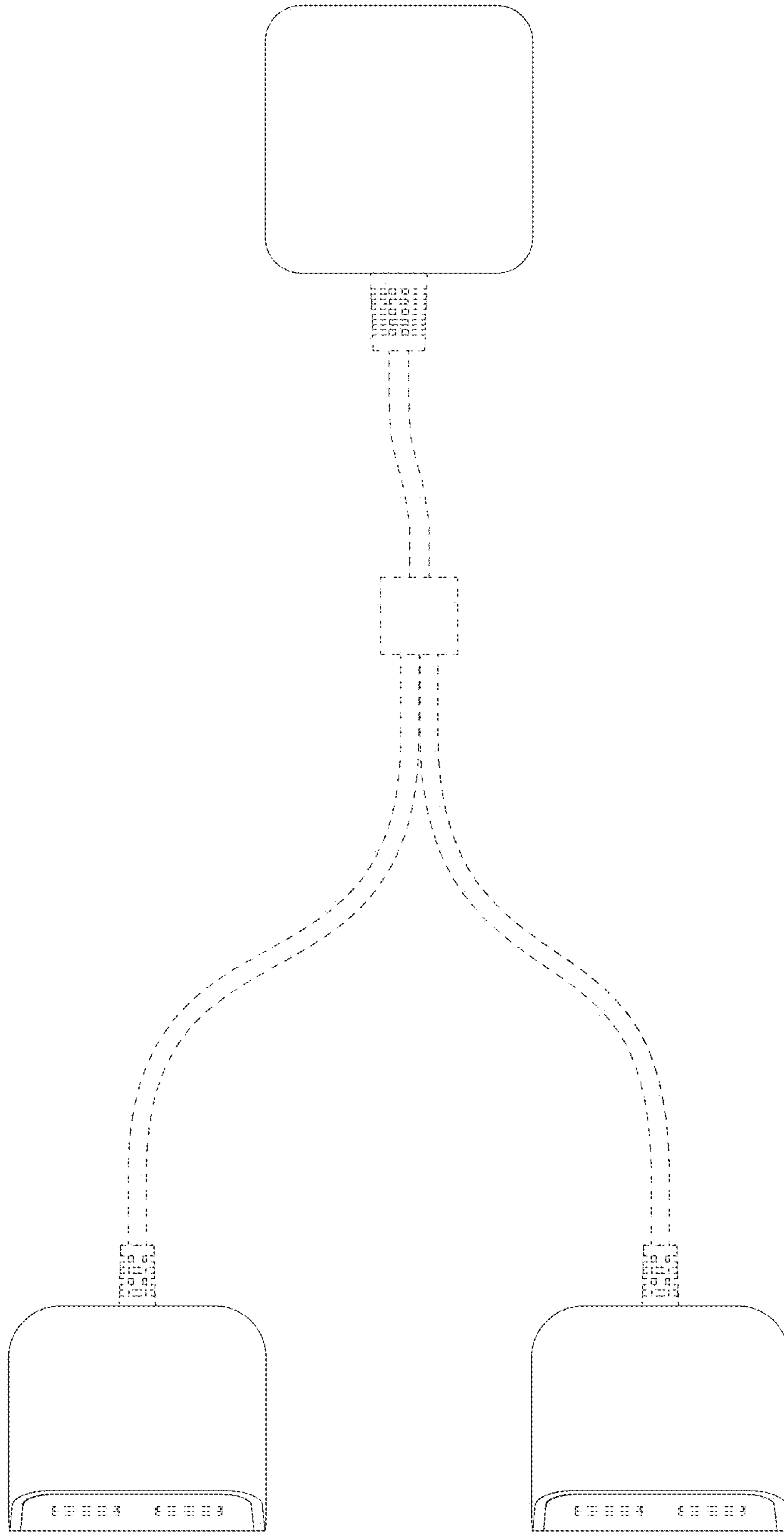


FIG. 4

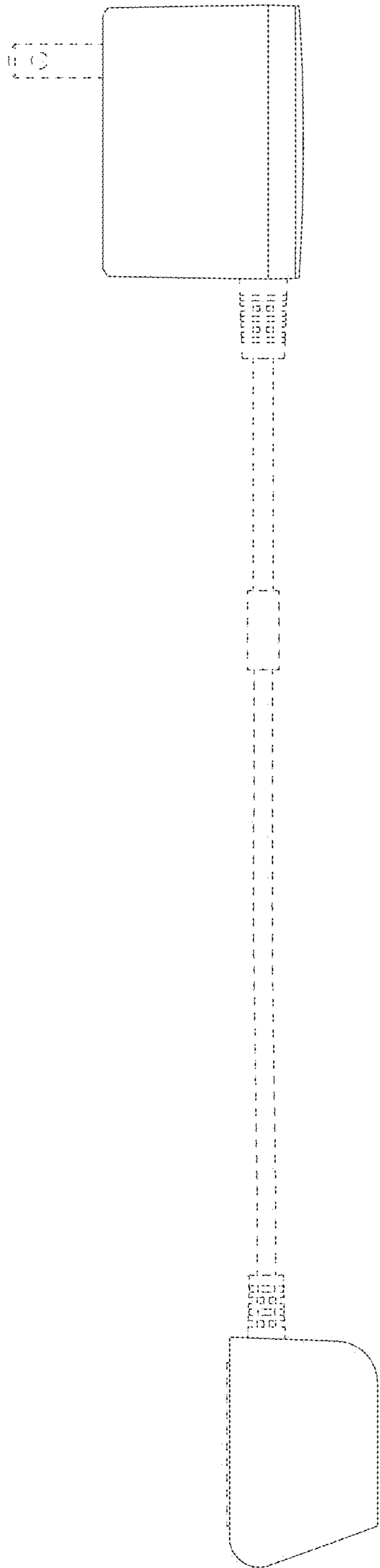


FIG. 5

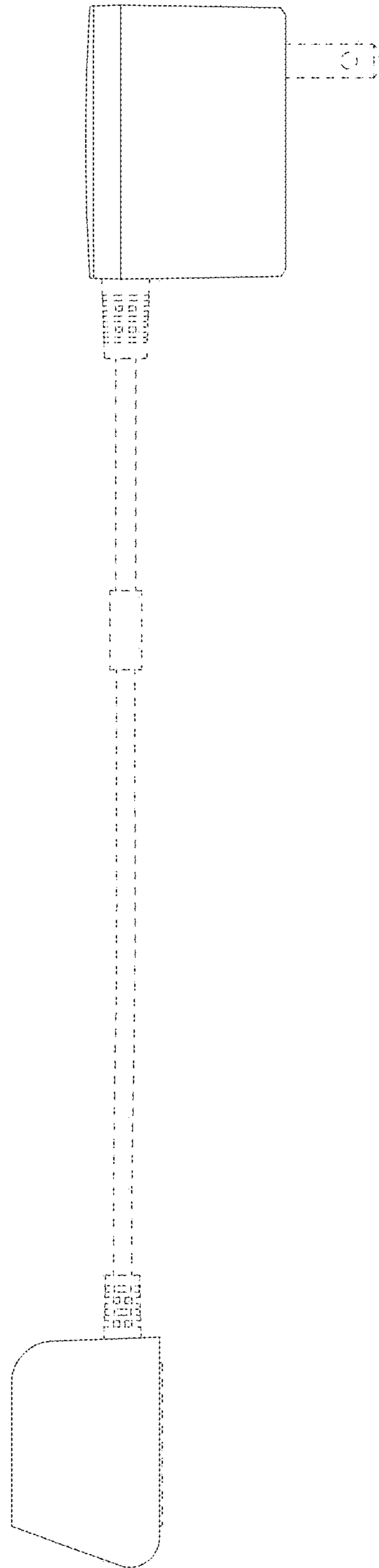


FIG. 6

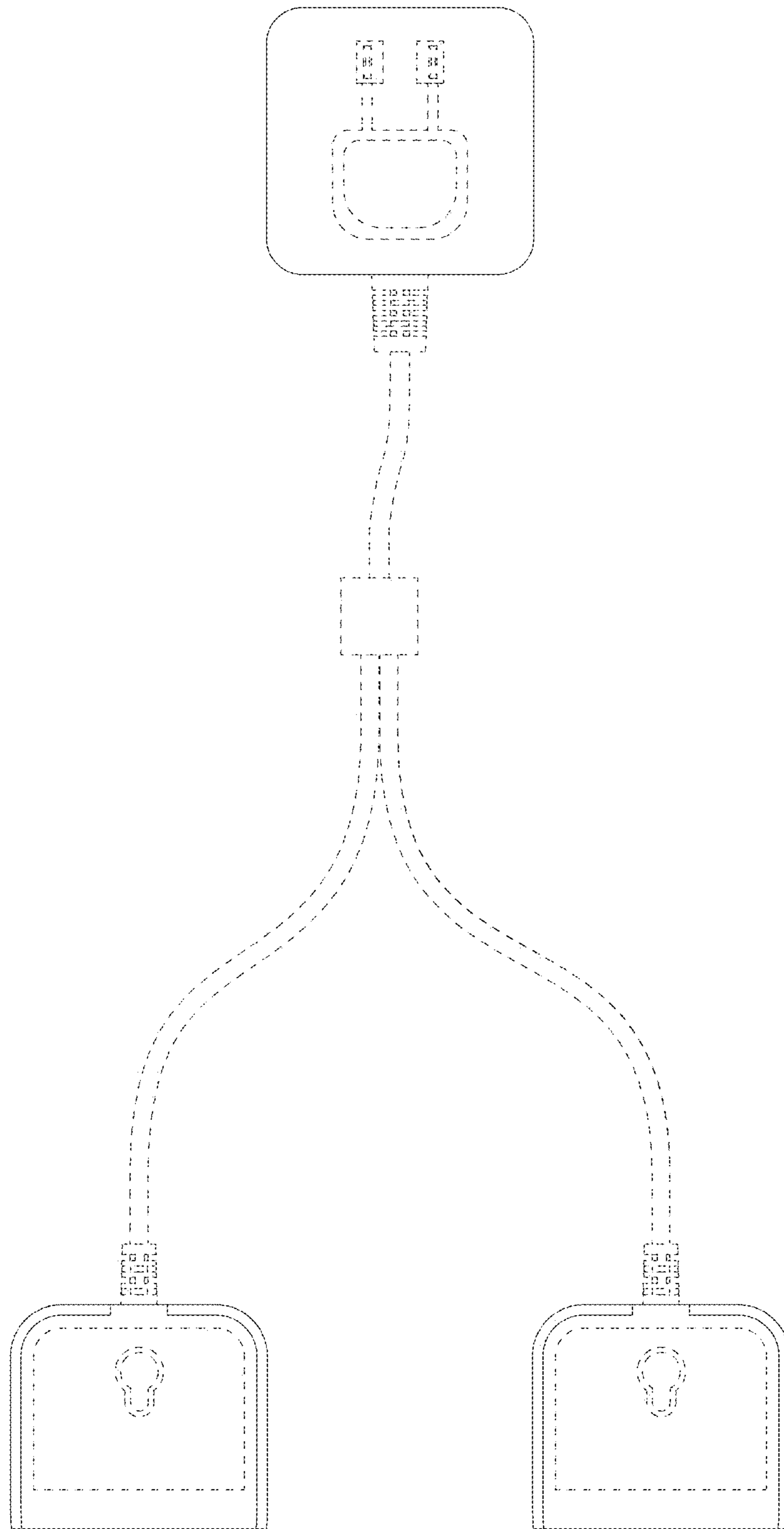


FIG. 7

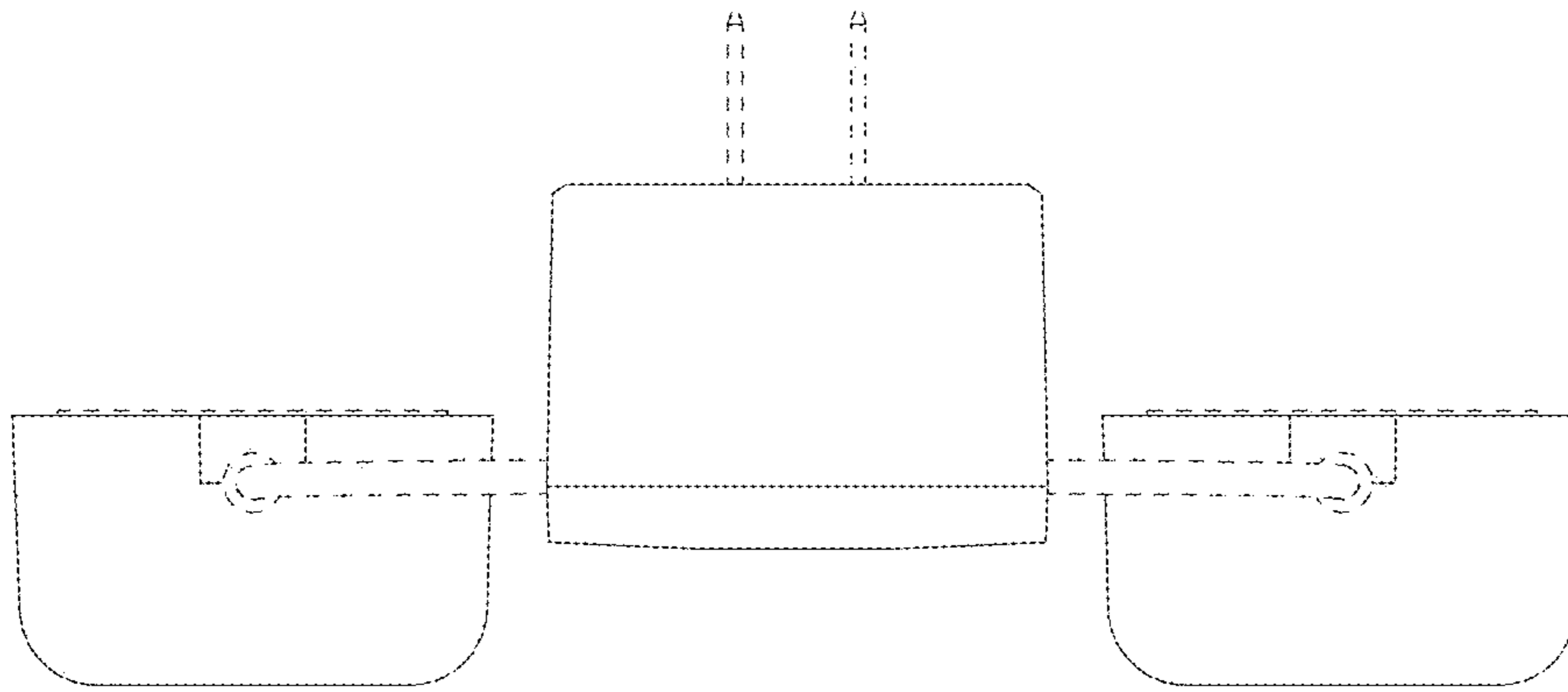


FIG. 8

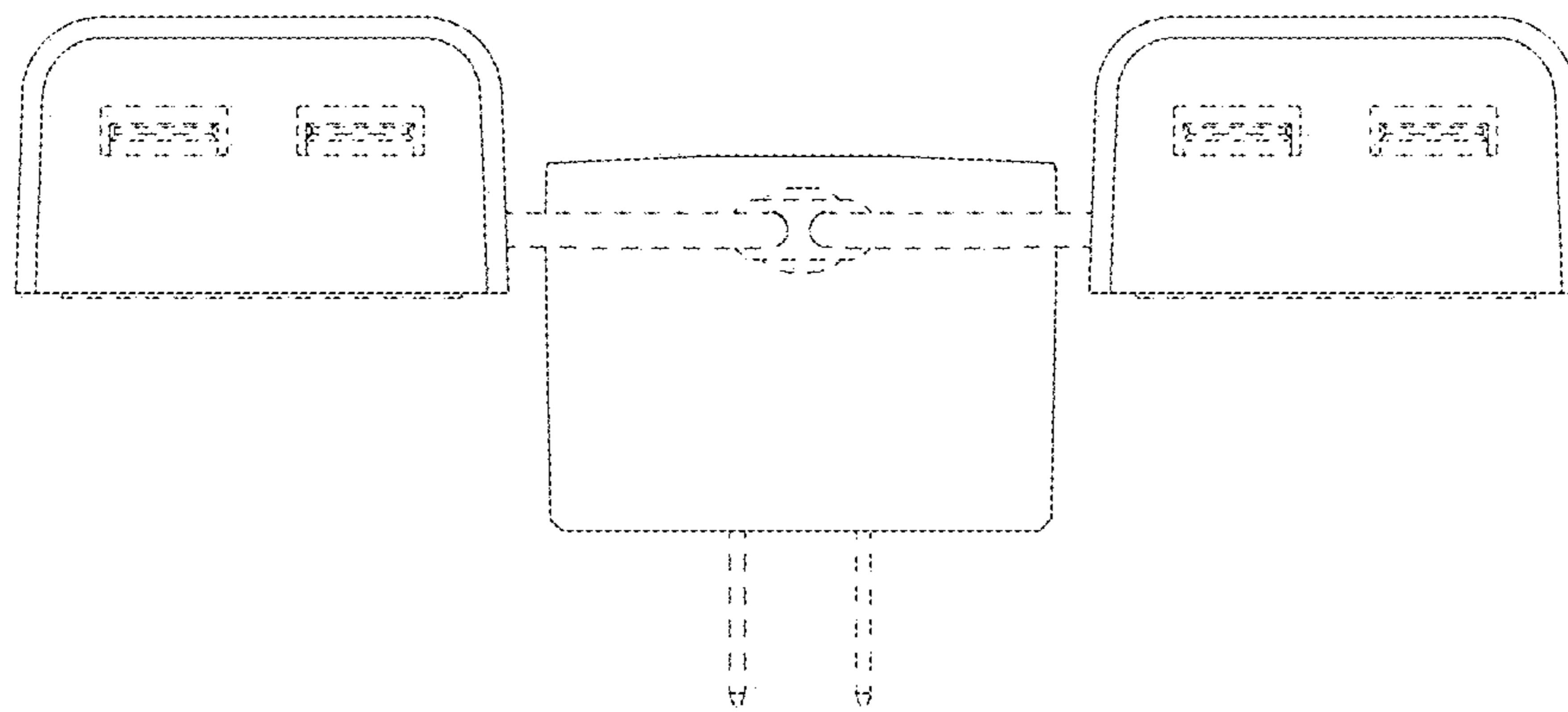


FIG. 9