



US00D937764S

(12) **United States Design Patent**  
**Akana et al.**

(10) **Patent No.:** **US D937,764 S**

(45) **Date of Patent:** **\*\* Dec. 7, 2021**

(54) **CHARGING MODULE**

(71) Applicant: **Apple Inc.**, Cupertino, CA (US)

(72) Inventors: **Jody Akana**, San Francisco, CA (US); **Molly Anderson**, San Francisco, CA (US); **Bartley K. Andre**, Palo Alto, CA (US); **Shota Aoyagi**, San Francisco, CA (US); **Anthony Michael Ashcroft**, San Francisco, CA (US); **Marine C. Bataille**, San Francisco, CA (US); **Jeremy Bataillou**, San Francisco, CA (US); **Abidur Rahman Chowdhury**, San Francisco, CA (US); **Clara Geneviève Marine Courtaigne**, Palo Alto, CA (US); **Markus Diebel**, San Francisco, CA (US); **Jonathan Gomez Garcia**, San Francisco, CA (US); **M. Evans Hankey**, San Francisco, CA (US); **Richard P. Howarth**, San Francisco, CA (US); **Jonathan P. Ive**, San Francisco, CA (US); **Julian Jaede**, San Francisco, CA (US); **Duncan Robert Kerr**, San Francisco, CA (US); **Peter Russell-Clarke**, San Francisco, CA (US); **Benjamin Andrew Shaffer**, San Jose, CA (US); **Joe Sung-Ho Tan**, San Francisco, CA (US); **Clement Tissandier**, San Francisco, CA (US); **Eugene Antony Whang**, San Francisco, CA (US)

(73) Assignee: **Apple Inc.**, Cupertino, CA (US)

(\*\*) Term: **15 Years**

(21) Appl. No.: **29/744,879**

(22) Filed: **Jul. 31, 2020**

(51) **LOC (13) Cl.** ..... **13-02**

(52) **U.S. Cl.**  
USPC ..... **D13/107**

(58) **Field of Classification Search**

USPC ..... D13/103, 107-110, 118, 119, 184, 199;  
D14/251, 253, 432, 434  
CPC ..... Y02E 60/12; H02J 7/025; H02J 7/0042;  
H02J 7/0044; H02J 7/0045; H02J 7/0003;  
H02J 7/0027; H02J 7/0013; H02J 7/0054;  
H02J 7/00; H02J 3/32; H02J 3/008; H02J  
2001/008; H01F 38/14; H01R 13/6675;  
H01M 2/1022; H01M 2/1055; H01M  
10/44;

(Continued)

(56) **References Cited**

U.S. PATENT DOCUMENTS

D650,334 S \* 12/2011 Matsuoka ..... D13/133  
D658,603 S \* 5/2012 Egawa ..... D13/180

(Continued)

FOREIGN PATENT DOCUMENTS

EM 007848684-0004 5/2020  
JP 1614416 S 9/2018  
KR 30-10467590000 2/2020

*Primary Examiner* — Christy Nemeth

(74) *Attorney, Agent, or Firm* — Sterne, Kessler,  
Goldstein & Fox P.L.L.C.

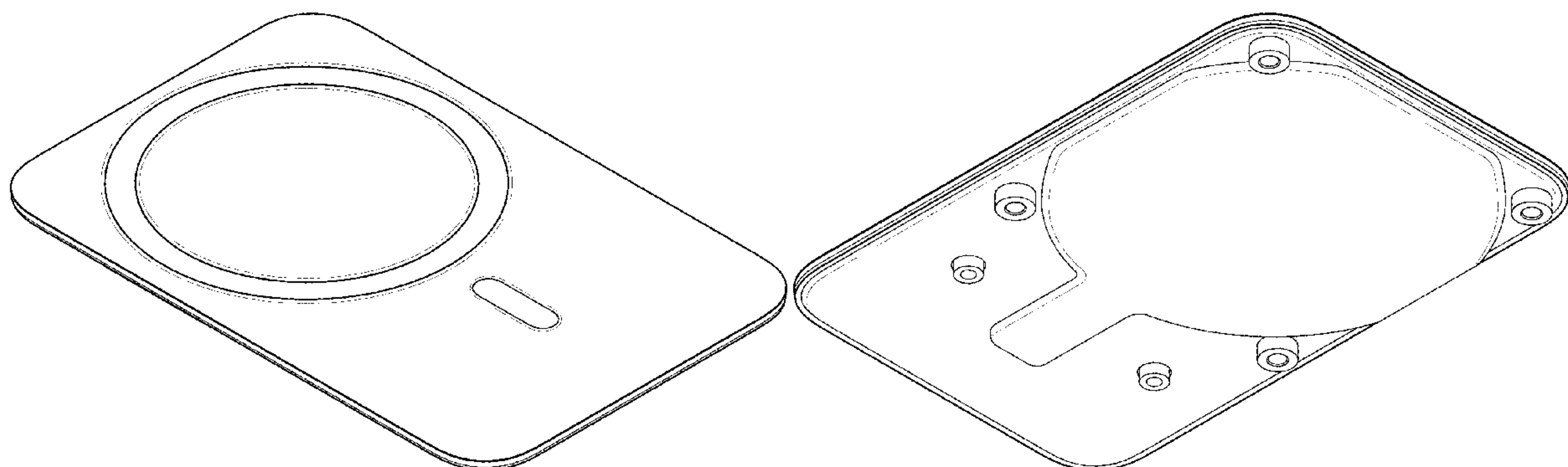
(57) **CLAIM**

The ornamental design for a charging module, as shown.

**DESCRIPTION**

FIG. 1 is a bottom front perspective view of a charging module showing the claimed design;  
FIG. 2 is a top rear perspective view thereof;  
FIG. 3 is a bottom view thereof;  
FIG. 4 is a top view thereof;  
FIG. 5 is a left side view thereof;  
FIG. 6 is a right side view thereof;  
FIG. 7 is a front view thereof; and,  
FIG. 8 is a rear view thereof.

**1 Claim, 5 Drawing Sheets**



(58) **Field of Classification Search**  
 CPC ... H01M 10/46; H01M 10/425; B60R 16/03;  
 B60L 11/1809; B60L 11/1861; B60L  
 11/182  
 See application file for complete search history.

(56) **References Cited**  
 U.S. PATENT DOCUMENTS

D674,391 S	1/2013	Chatterjee et al.	
D682,199 S	5/2013	Rautiainen	
D694,182 S	11/2013	Lee et al.	
D718,236 S	11/2014	Murray	
D719,505 S	12/2014	Kim et al.	
D720,688 S	1/2015	Popper et al.	
D722,962 S	2/2015	Kim et al.	
D727,259 S	4/2015	Hwang	
D735,131 S	7/2015	Akana et al.	
D772,813 S	11/2016	Wahl	
D777,103 S	1/2017	Park	
D777,662 S *	1/2017	Price .....	D13/103
D786,193 S	5/2017	Akana et al.	
D786,791 S	5/2017	Jeong et al.	
D788,034 S *	5/2017	Gschwandtl .....	D13/108
D793,958 S	8/2017	Rautiainen	
D795,182 S	8/2017	Akana et al.	
D795,183 S	8/2017	Akana et al.	
D796,434 S	9/2017	Li	
9,787,129 B2	10/2017	Green et al.	

D812,556 S	3/2018	Xu	
D815,593 S	4/2018	Alves et al.	
D816,029 S *	4/2018	Dai .....	D13/108
D821,309 S	6/2018	Barnard	
D842,806 S *	3/2019	Song .....	D13/108
D849,683 S	5/2019	Lee	
D850,370 S	6/2019	Lee	
D850,371 S	6/2019	Yun	
D861,602 S	10/2019	Feng	
D865,666 S *	11/2019	Roberts .....	D13/108
D865,667 S	11/2019	Roberts	
D875,041 S	2/2020	Chen et al.	
D875,678 S	2/2020	Kim et al.	
D876,356 S	2/2020	Tanaka	
D883,209 S *	5/2020	Liao .....	D13/110
D883,921 S	5/2020	Ryu et al.	
D886,734 S *	6/2020	Andersson .....	D13/108
D887,974 S	6/2020	Chen et al.	
D887,977 S *	6/2020	Weinstein .....	H02J 7/0027 D13/108
D890,095 S *	7/2020	Liao .....	D13/110
D894,191 S *	8/2020	Turksu .....	D14/434
D900,737 S *	11/2020	Hsu .....	D13/108
D908,621 S *	1/2021	Akana .....	D13/108
D909,968 S *	2/2021	Chen .....	D13/108
D911,955 S *	3/2021	Turksu .....	D13/108
D916,695 S *	4/2021	Lee .....	D14/253
D917,452 S *	4/2021	Lee .....	D14/253
D918,135 S *	5/2021	Akana .....	D13/108
D924,132 S *	7/2021	Turksu .....	D13/108

\* cited by examiner

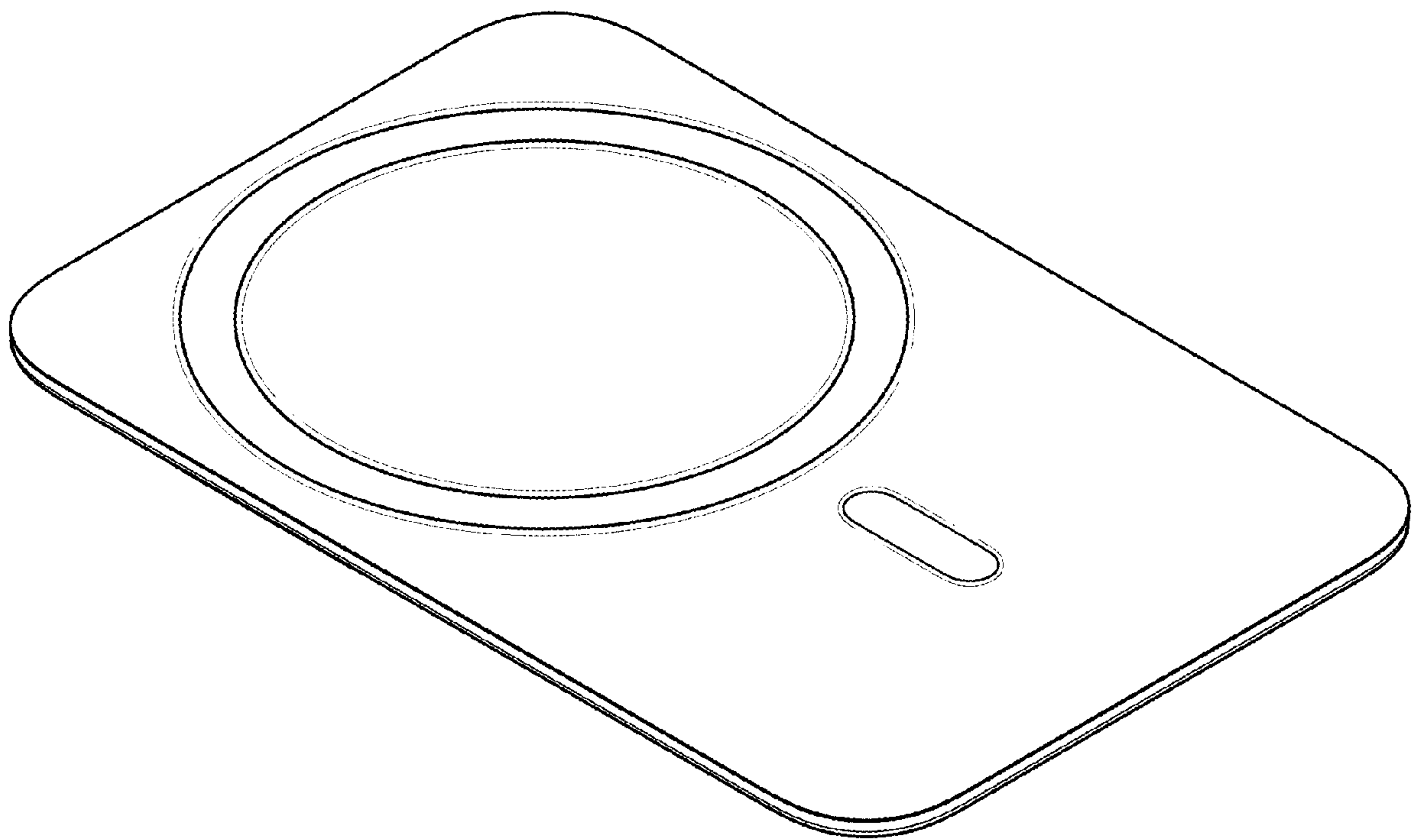


FIG. 1

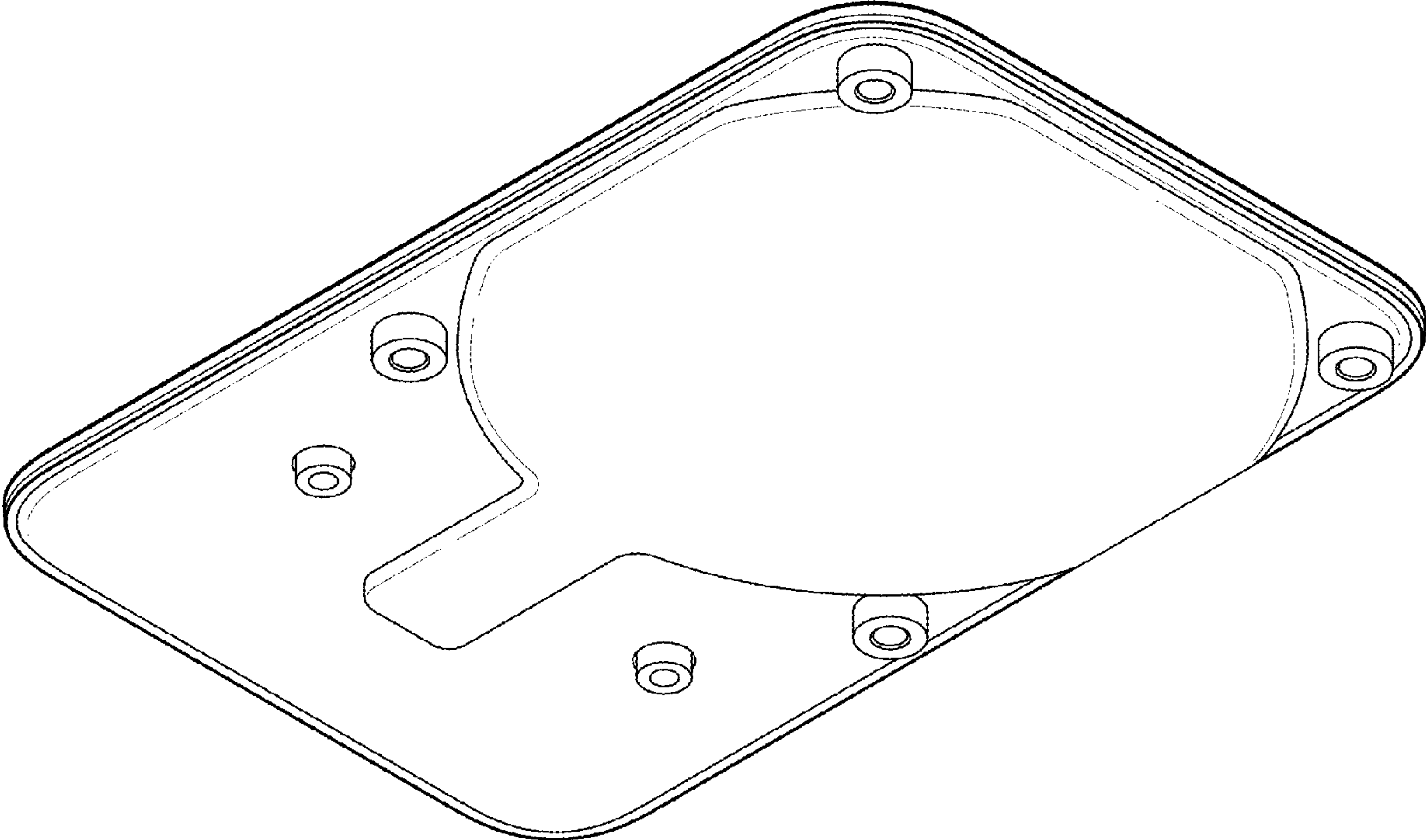
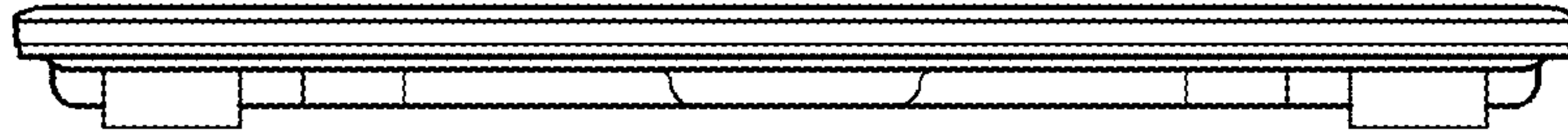
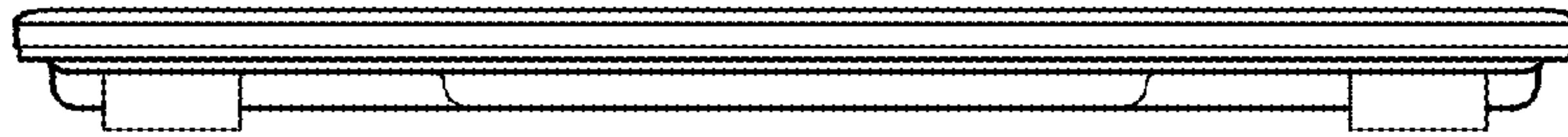


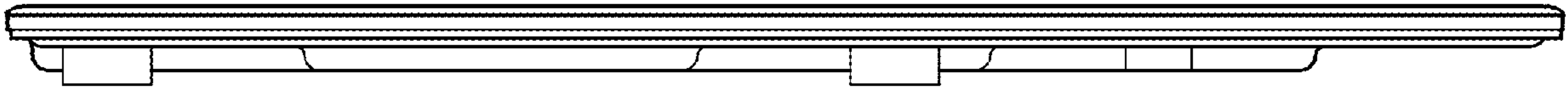
FIG. 2



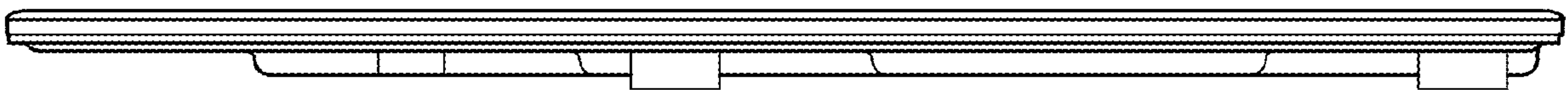
**FIG. 3**



**FIG. 4**

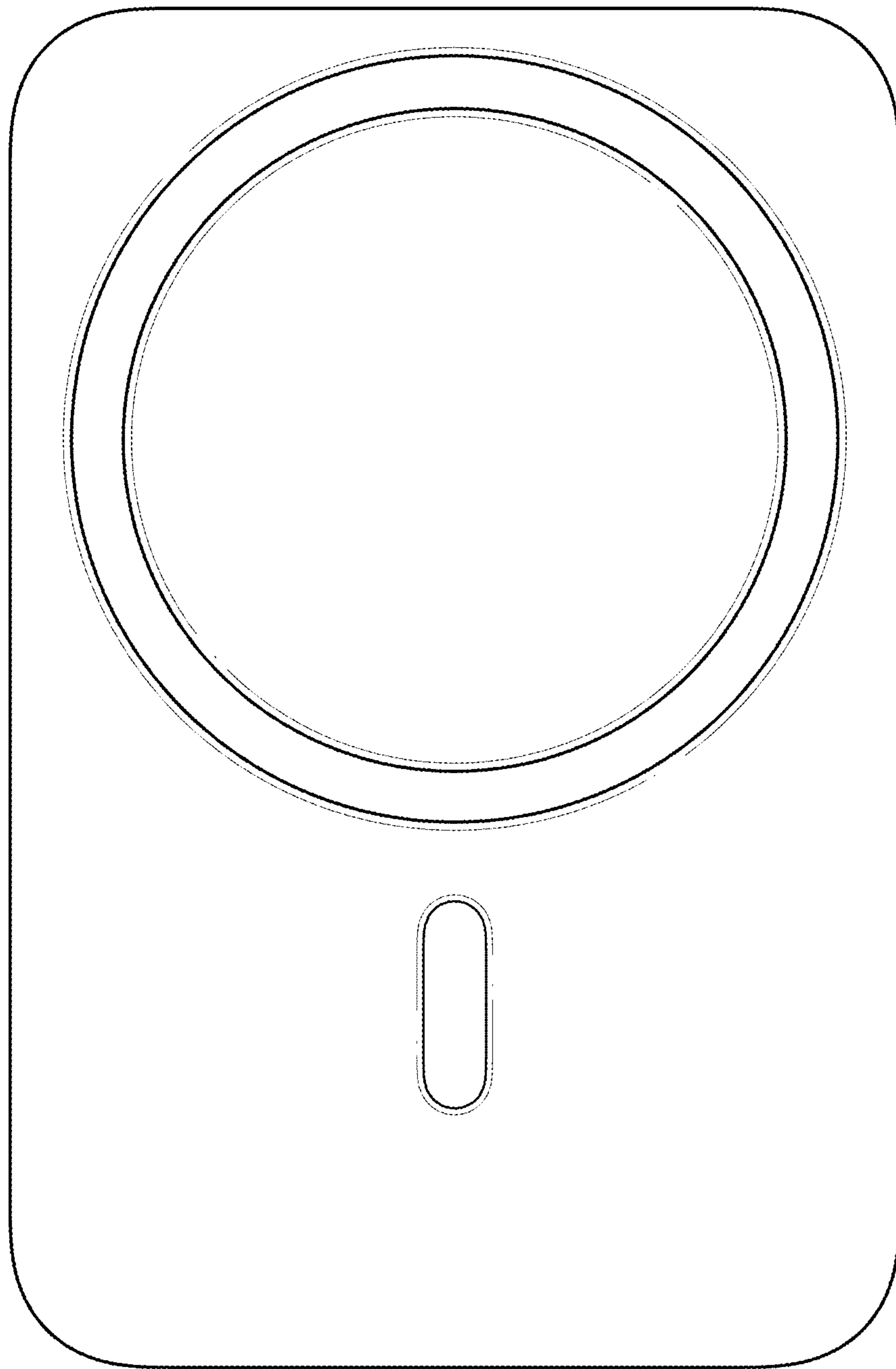


**FIG. 5**



**FIG. 6**





**FIG. 7**

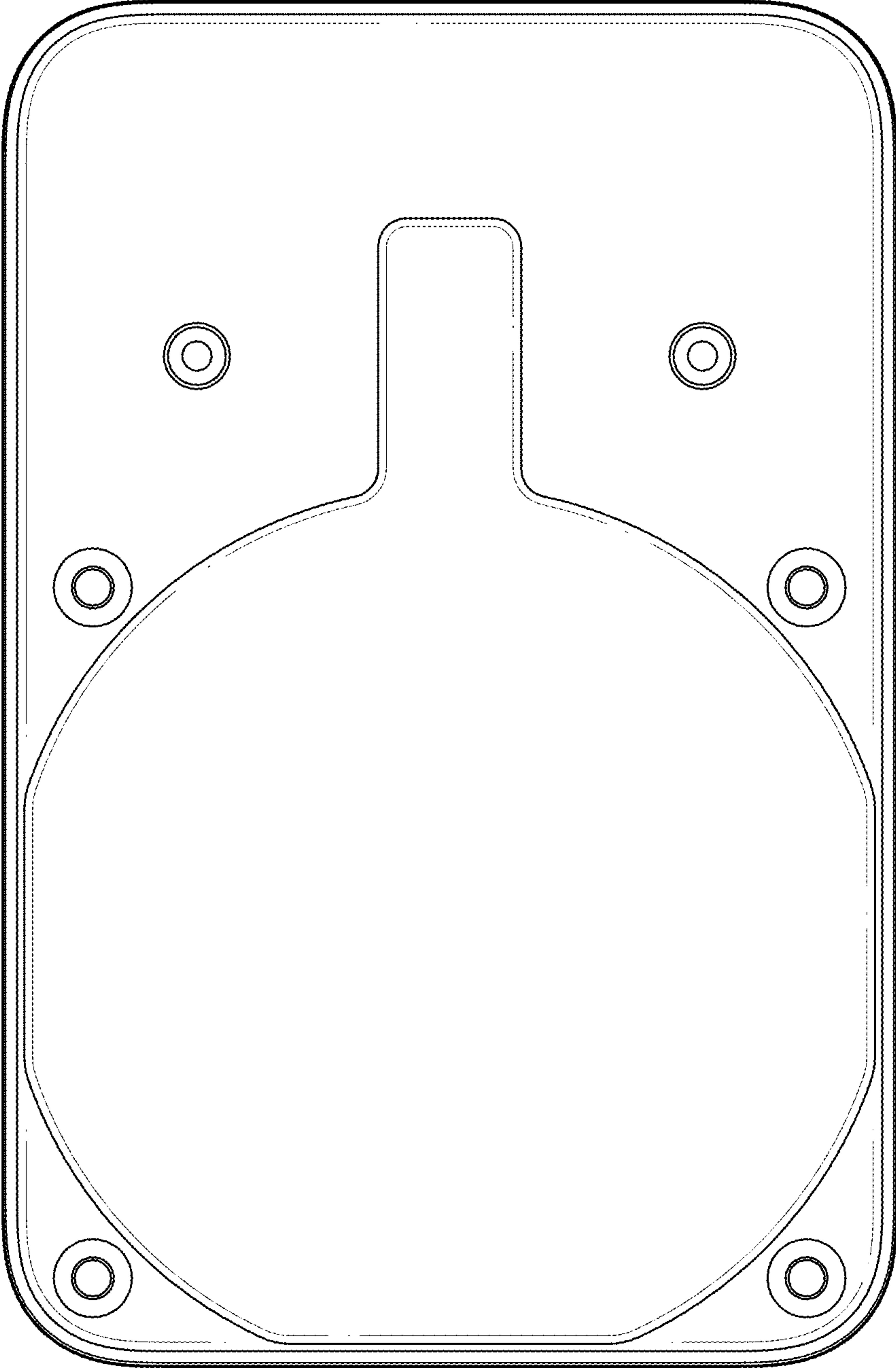


FIG. 8