

US00D937763S

(12) **United States Design Patent** (10) **Patent No.:** **US D937,763 S**
Wang (45) **Date of Patent:** **** Dec. 7, 2021**

(54) **JUMP STARTER**

(56) **References Cited**

(71) Applicant: **AUTEL INTELLIGENT TECHNOLOGY CORP., LTD.,**
Guangdong (CN)
(72) Inventor: **Yongshuai Wang,** Guangdong (CN)
(73) Assignee: **AUTEL INTELLIGENT TECHNOLOGY CORP., LTD.,**
Shenzhen (CN)

U.S. PATENT DOCUMENTS
D711,819 S * 8/2014 To D13/108
D760,164 S * 6/2016 Aida D13/110
D813,162 S * 3/2018 Krantz D13/110
D817,866 S * 5/2018 Liu H02J 7/0042
D13/102
D836,064 S * 12/2018 Liu D13/102
2016/0043357 A1 * 2/2016 Aida H02J 7/0042
429/7

(**) Term: **15 Years**

* cited by examiner

Primary Examiner — Rosemary K Tarcza
Assistant Examiner — Seth David Kumpf

(21) Appl. No.: **29/717,030**

(22) Filed: **Dec. 13, 2019**

(57) **CLAIM**

I claim the ornamental design for a jump starter, as shown and described.

(30) **Foreign Application Priority Data**

Jun. 14, 2019 (CN) 201930308393.6

(51) **LOC (13) Cl.** **13-02**

(52) **U.S. Cl.**
USPC **D13/107**

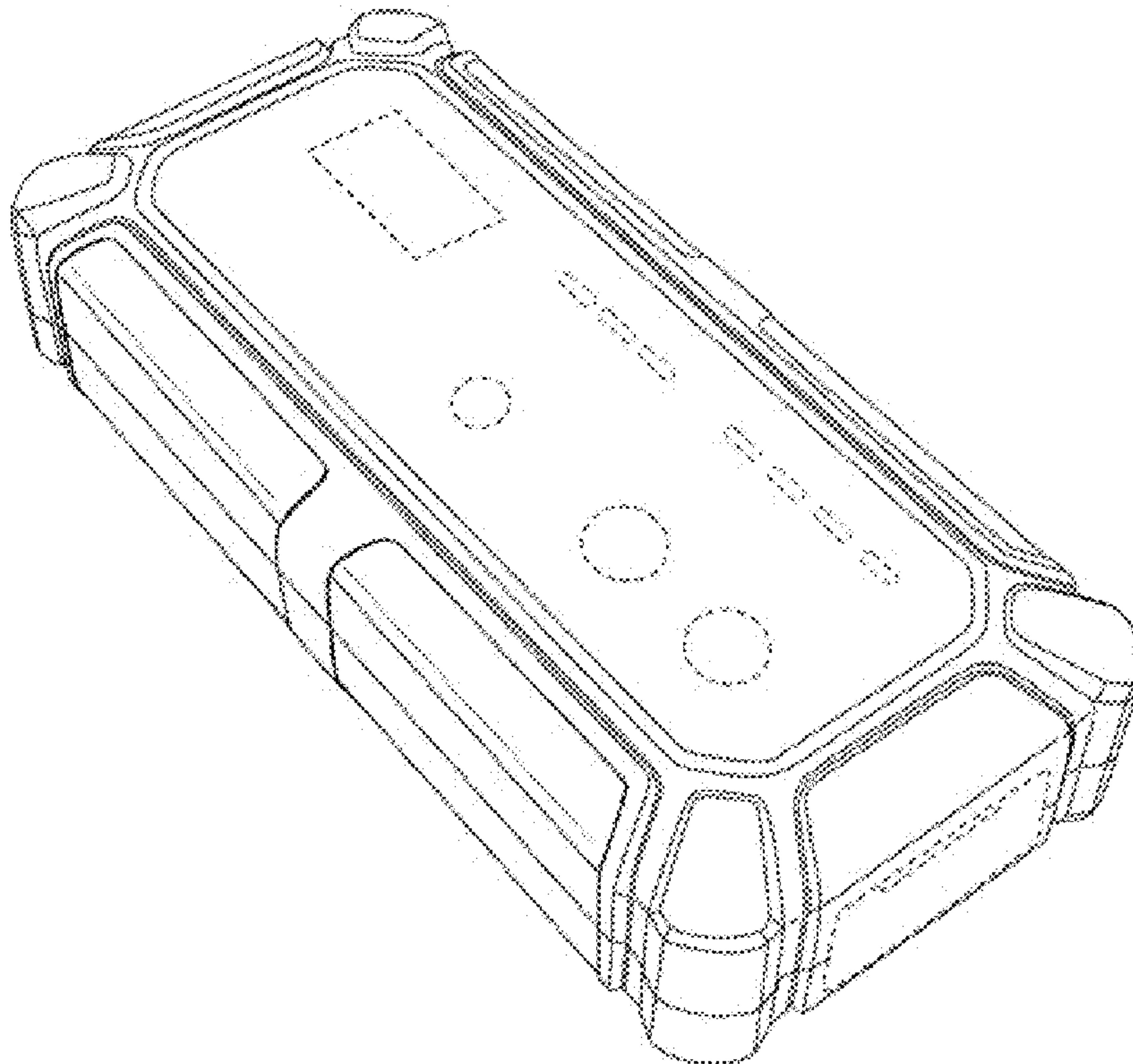
(58) **Field of Classification Search**
USPC D13/103, 107, 108, 110, 118, 184, 199
CPC H02J 7/0042; H02J 7/0044; H02J 7/0045;
H02J 7/0047; H02J 7/0003; H02J
7/00047; H02J 7/0013; H02J 7/0027;
H02J 7/02; H02J 7/025; H02J 1/22;
H01M 2/02; H01M 2/0202; H01M
2/0237; B60R 16/033

See application file for complete search history.

DESCRIPTION

FIG. 1 is a front elevational view of a jump starter showing my new design;
FIG. 2 is a back elevational view thereof;
FIG. 3 is a left side elevational view thereof;
FIG. 4 is a right side elevational view thereof;
FIG. 5 is a top plan view thereof;
FIG. 6 is a bottom plan view thereof; and,
FIG. 7 is a perspective view thereof.
The broken lines in the drawings depict portions of the jump starter that do not form a part of the claimed design.

1 Claim, 6 Drawing Sheets



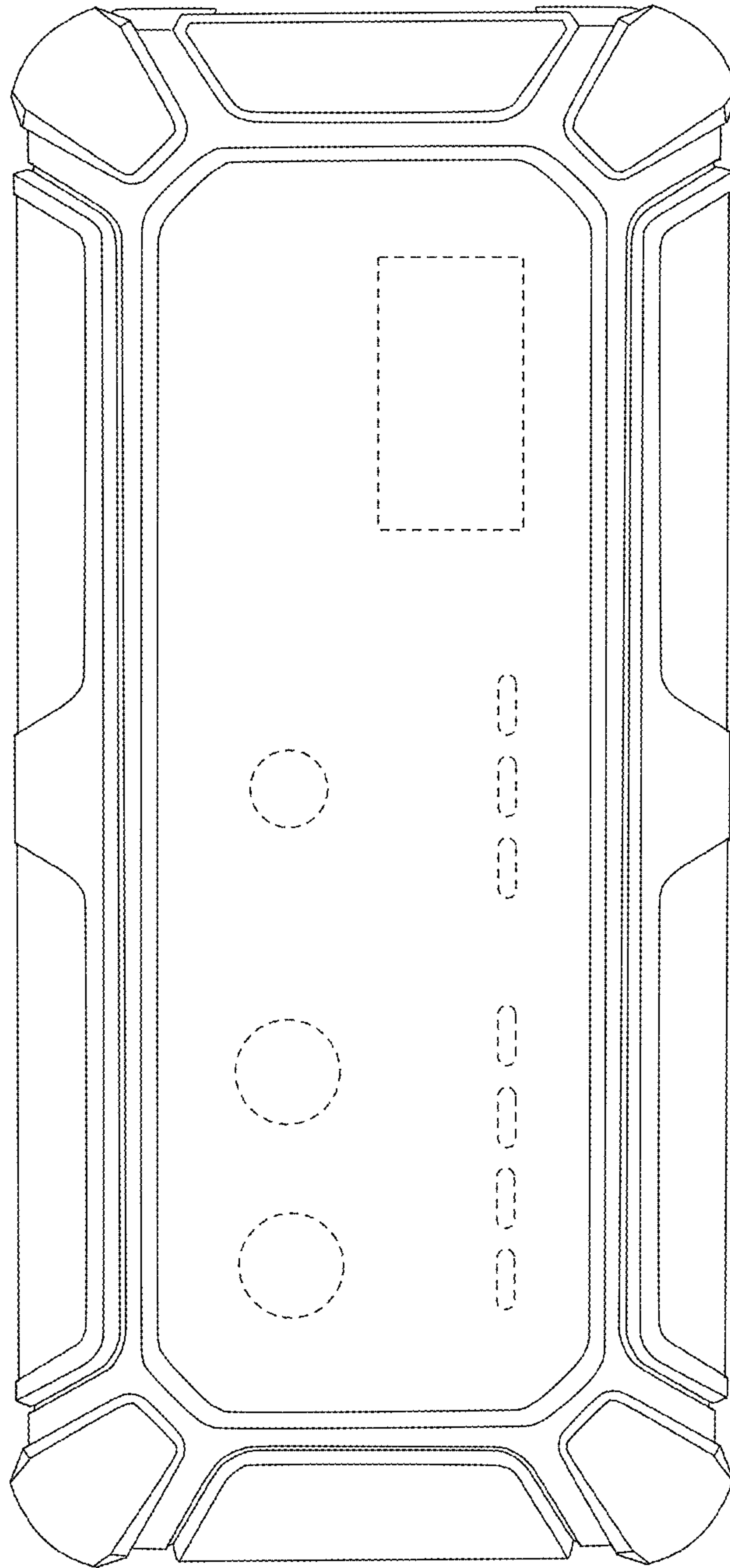


FIG. 1

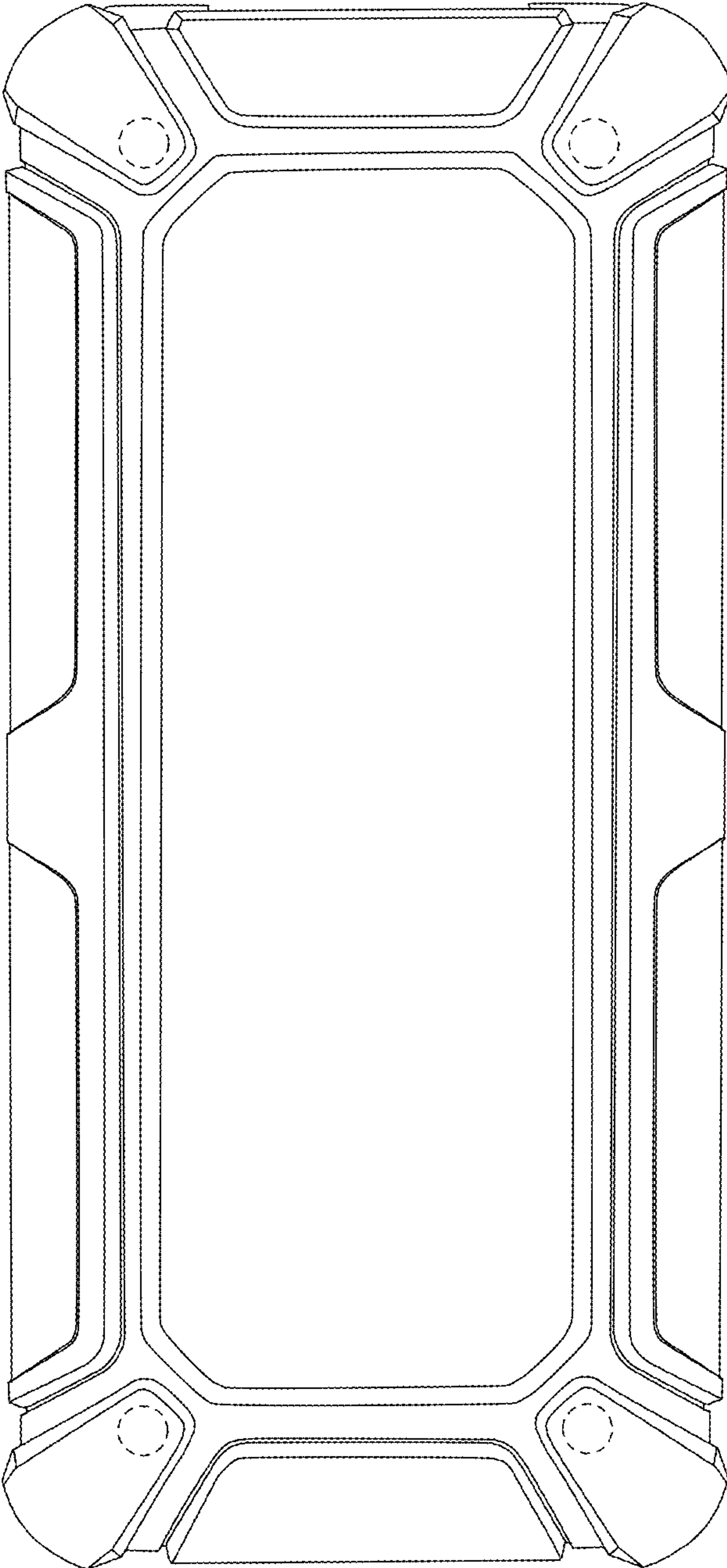


FIG. 2

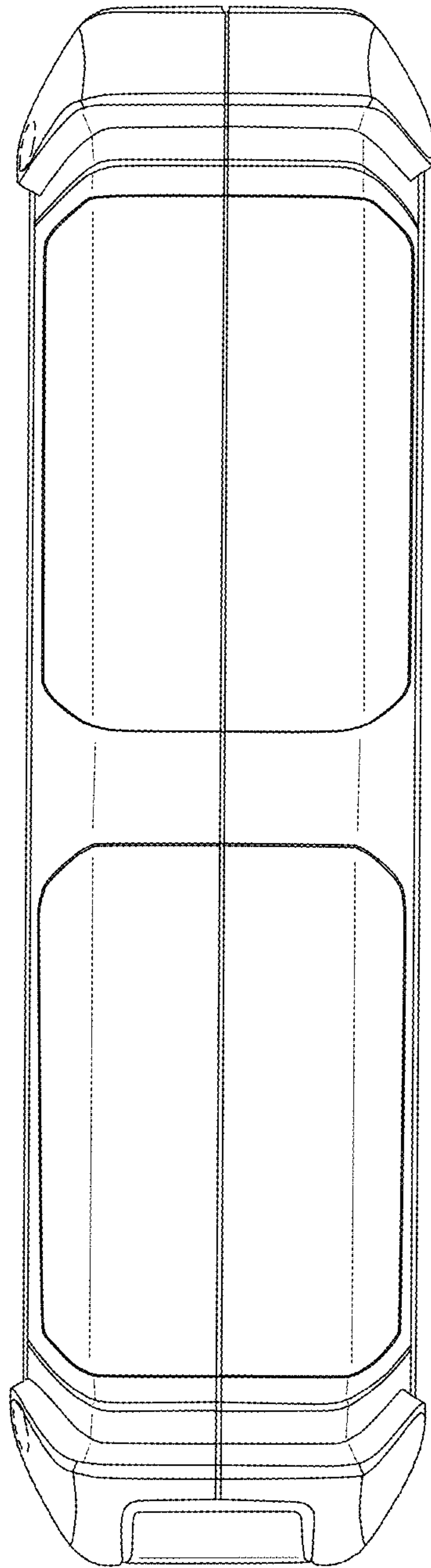


FIG. 3

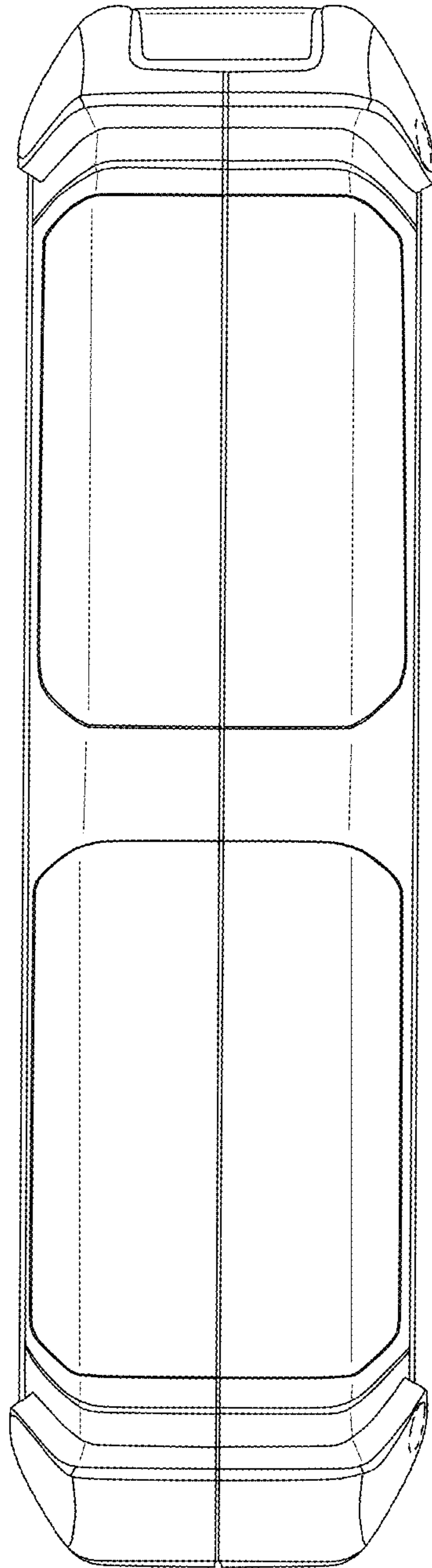


FIG. 4

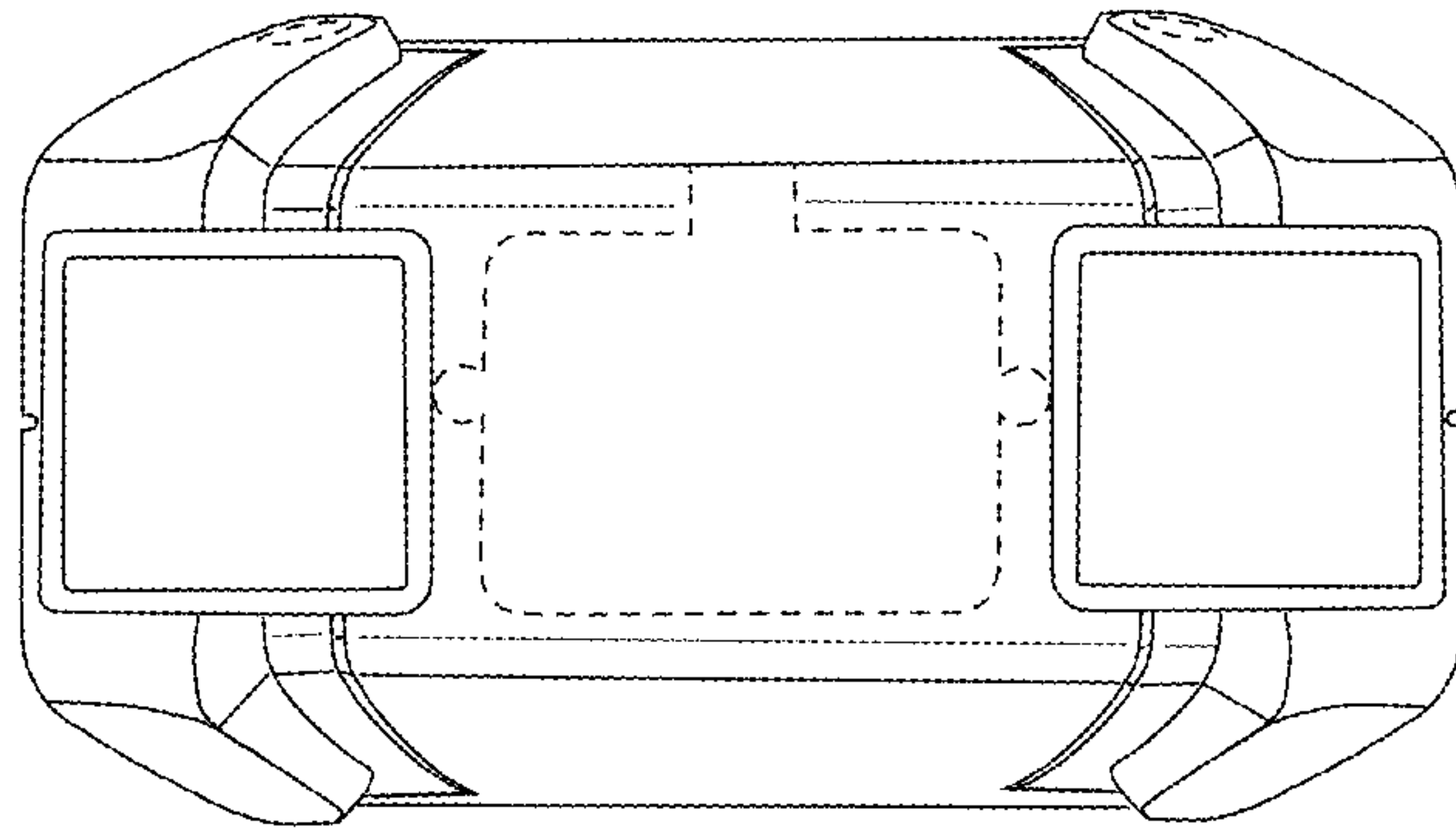


FIG. 5

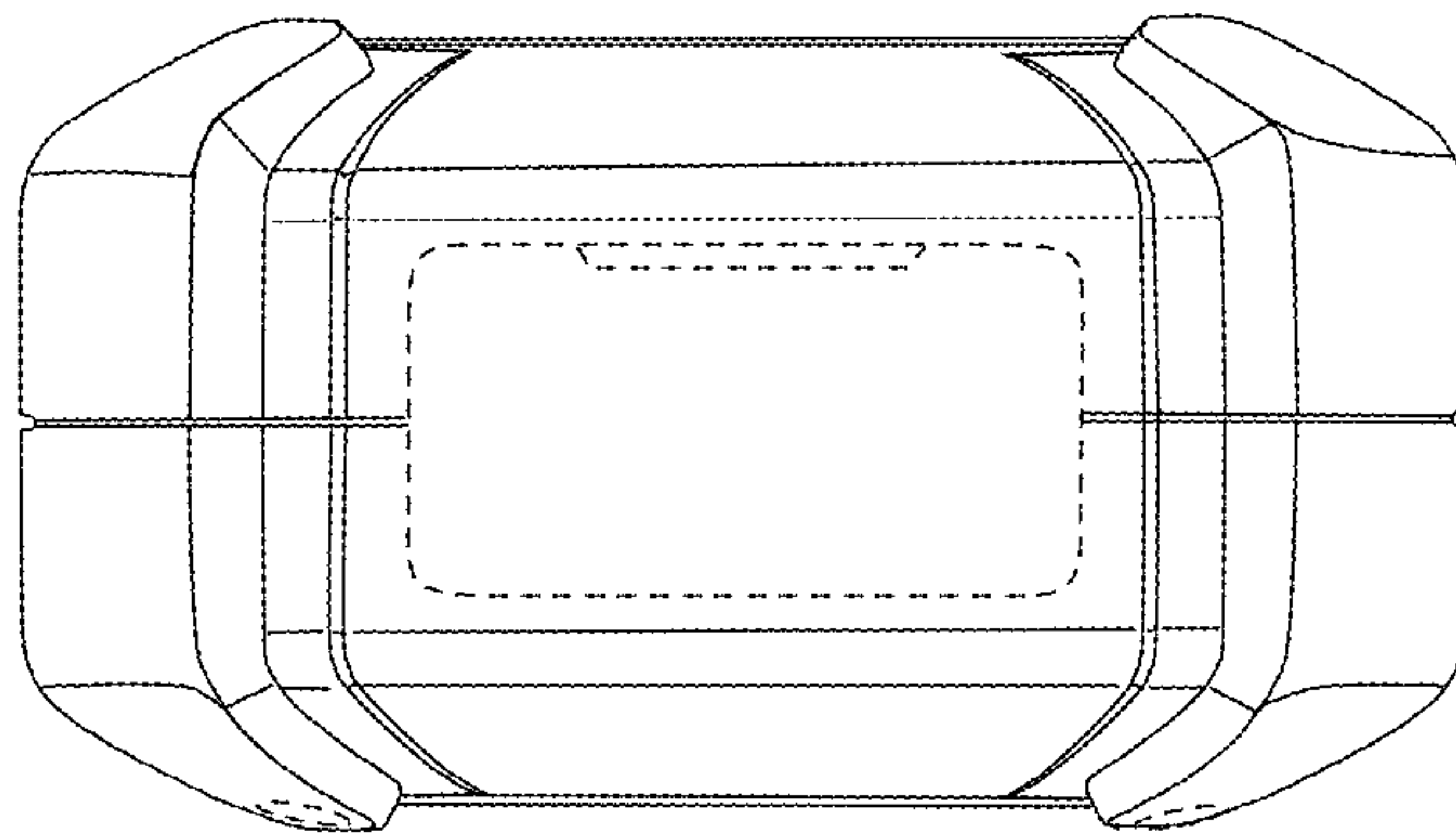


FIG. 6

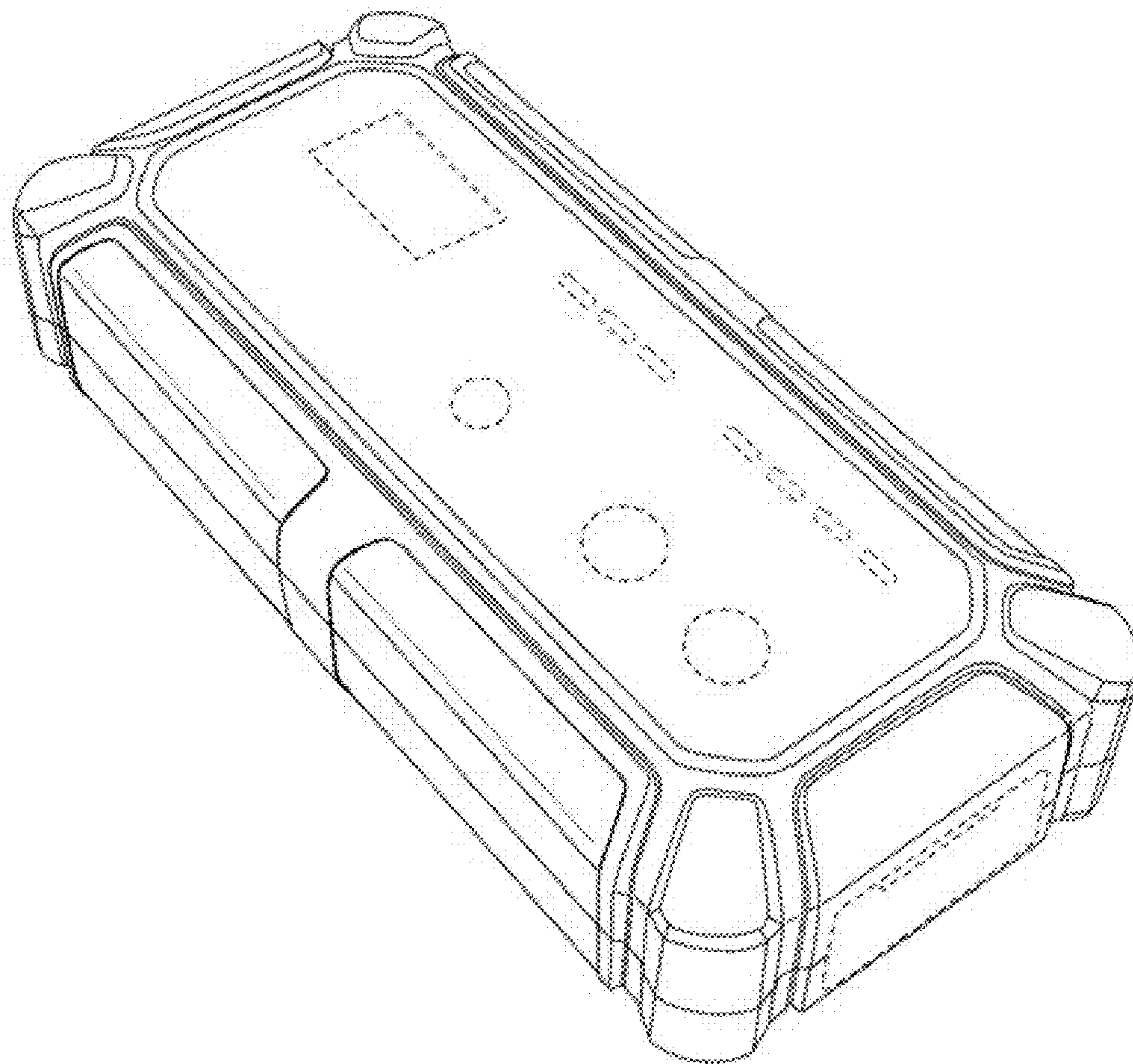


FIG. 7