



US00D937760S

(12) **United States Design Patent** (10) **Patent No.:** **US D937,760 S**
Chandrasekharan et al. (45) **Date of Patent:** **** Dec. 7, 2021**

(54) **TERMINAL BLOCK OF A BATTERY PACK**

(71) Applicant: **TECHTRONIC CORDLESS GP,**
Anderson, SC (US)

(72) Inventors: **Nataraj Chandrasekharan,** Anderson,
SC (US); **Ryan J. Marino,** Greenville,
SC (US); **Brent M. Willey,** Anderson,
SC (US); **Matthew T. Aaron,**
Greenville, SC (US); **Frederick Bryan,**
Greenville, SC (US); **Tyler J. Rowe,**
Anderson, SC (US)

(73) Assignee: **TECHTRONIC CORDLESS GP,**
Anderson, SC (US)

(**) Term: **15 Years**

(21) Appl. No.: **29/694,582**

(22) Filed: **Jun. 12, 2019**

(51) **LOC (13) Cl.** **13-02**

(52) **U.S. Cl.**
USPC **D13/103**

(58) **Field of Classification Search**
USPC D13/102–106, 110, 118–119, 184
CPC Y02E 60/12; Y02E 60/122; Y02E 60/124;
Y02E 60/50; H01M 2/02; H01M 2/022;
H01M 2/0202; H01M 2/0207; H01M
2/0212; H01M 2/1061; H01M 2/1022;
H01M 2/1055; H01M 2/1066; H01M
2/105; H01M 2/204; H01M 10/4257;
H01M 10/0436; H01M 10/48

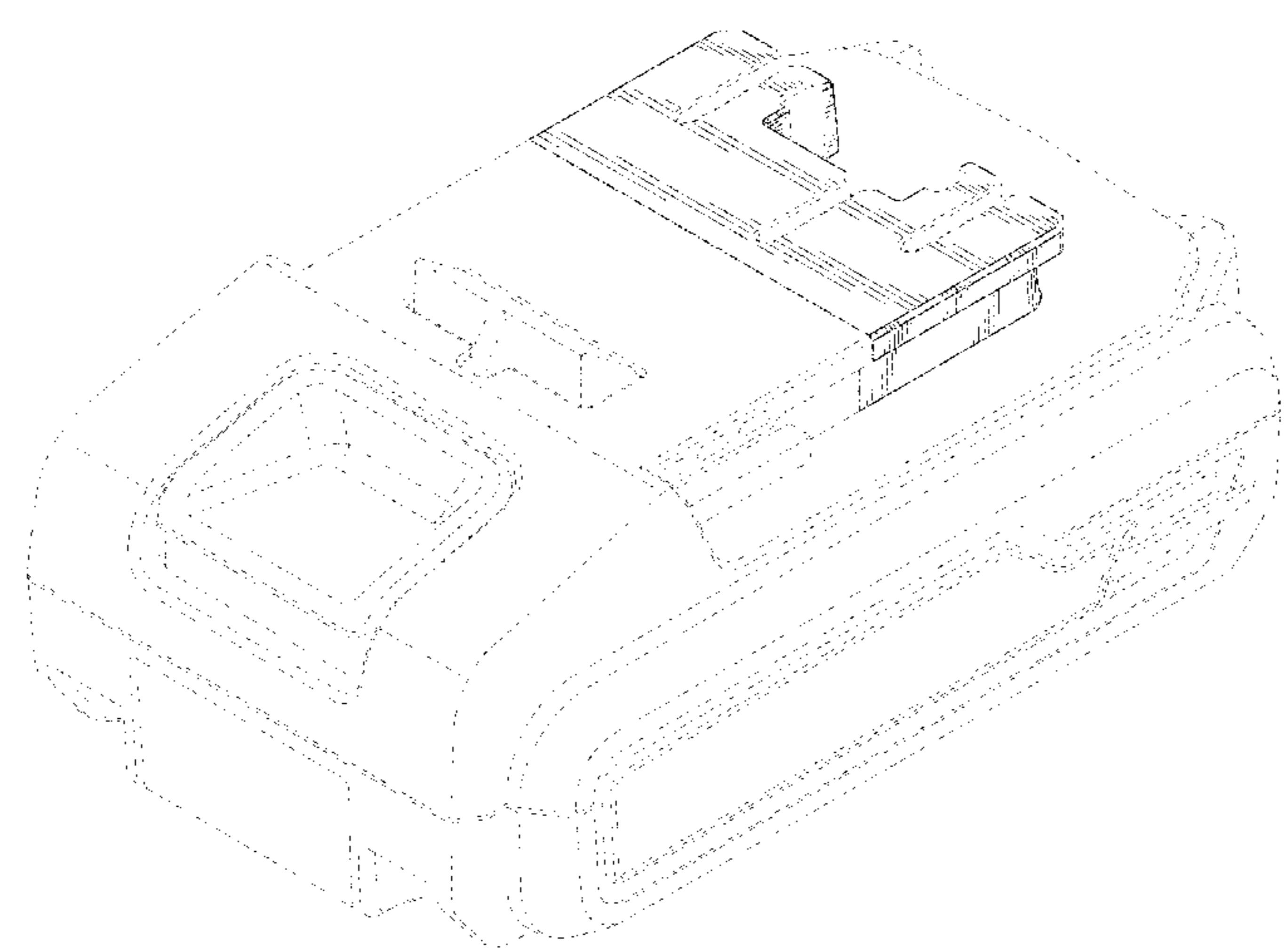
See application file for complete search history.

(56) **References Cited**

U.S. PATENT DOCUMENTS

6,274,266 B1 8/2001 Wang
D512,961 S 12/2005 Okuda et al.
7,491,466 B2 2/2009 Feddrix et al.
7,588,471 B2 9/2009 Rejman
7,618,741 B2* 11/2009 Casalena H02J 7/0042
320/112
7,648,402 B2 1/2010 Rejman

7,688,028 B2 3/2010 Phillips et al.
7,723,952 B2 5/2010 Phillips et al.
7,777,448 B2 8/2010 Beghelli
7,868,591 B2 1/2011 Phillips et al.
D633,036 S 2/2011 Murray
D640,190 S 6/2011 Aglassinger
D643,809 S * 8/2011 Okuda D13/103
D657,307 S 4/2012 Zhao
D682,194 S * 5/2013 Jiang D13/103
D684,528 S * 6/2013 Murray D13/103
D698,312 S * 1/2014 Miller D13/119
8,691,411 B2 4/2014 Takahashi et al.
8,728,656 B2 5/2014 Takahashi et al.
D712,826 S * 9/2014 Marino D13/103
8,974,933 B2 3/2015 Krishnamurthi et al.
9,023,514 B2 5/2015 Tatehata et al.
9,112,292 B2 8/2015 Ogura
9,172,115 B2* 10/2015 Kolden H01M 10/425
D748,577 S * 2/2016 Marino D13/118
D770,377 S 11/2016 Kondo
9,484,756 B2 11/2016 Su et al.
9,508,977 B2 11/2016 Tatehata et al.
D785,562 S 5/2017 Cooper
D790,307 S * 6/2017 Marino D8/70
9,685,682 B2 6/2017 Hoshi et al.
D800,062 S * 10/2017 Rowe D13/119
D800,656 S * 10/2017 Marino D13/119
9,793,534 B2 10/2017 Takahashi et al.
D801,916 S * 11/2017 Altenburger D13/103
D801,917 S * 11/2017 Jiang D13/103
9,825,263 B2 11/2017 Tatehata et al.
D826,149 S 8/2018 Cooper
D826,150 S 8/2018 Cayon
D884,601 S * 5/2020 Zhou D13/103
2004/0196599 A1 10/2004 Kim
2006/0087283 A1 4/2006 Phillips et al.
2006/0087284 A1 4/2006 Phillips et al.
2006/0087285 A1 4/2006 Phillips et al.
2006/0087286 A1 4/2006 Phillips et al.
2006/0275656 A1 12/2006 Feddrix et al.
2007/0273330 A1 11/2007 Beghelli
2008/0003494 A1 1/2008 Rejman
2008/0084181 A1* 4/2008 Griffin H01R 13/6315
320/114
2009/0186262 A1 7/2009 Takahashi et al.
2009/0197161 A1 8/2009 Nakamura
2009/0202896 A1 8/2009 Rejman
2009/0246608 A1 10/2009 Wu et al.
2010/0141207 A1 6/2010 Phillips et al.
2010/0209751 A1 8/2010 Matthias et al.
2011/0133496 A1 6/2011 Cooper
2012/0045667 A1 2/2012 Yoneda et al.
2012/0052337 A1 3/2012 Krishnamurthi et al.



2012/0237801	A1	9/2012	Tatehata et al.	
2013/0008682	A1	1/2013	Turner et al.	
2013/0052502	A1	2/2013	Su et al.	
2013/0244504	A1	9/2013	Ogura	
2014/0030563	A1	1/2014	Hoshi et al.	
2014/0037993	A1	2/2014	Takahashi et al.	
2014/0248530	A1	9/2014	Takahashi et al.	
2014/0266071	A1*	9/2014	Tomiyasu	H02J 7/0091 320/150
2014/0272516	A1*	9/2014	Tennison	H01M 10/613 429/120
2014/0302353	A1	10/2014	Ogura	
2014/0349143	A1	11/2014	Ogura et al.	
2015/0263327	A1	9/2015	Tatehata et al.	
2015/0357683	A1*	12/2015	Lohr	H02J 7/0045 320/108
2015/0367497	A1	12/2015	Ito et al.	
2016/0240901	A1	8/2016	Kondo	
2016/0241065	A1	8/2016	Kondo et al.	
2017/0040574	A1	2/2017	Tatehata et al.	
2018/0040927	A1	2/2018	Rejman et al.	
2018/0055324	A1	3/2018	Hwang et al.	
2018/0277801	A1	9/2018	Brozek et al.	
2020/0052257	A1	2/2020	Stanton et al.	
2020/0139531	A1*	5/2020	Zahn	H01M 2/348

FOREIGN PATENT DOCUMENTS

CN	302042904	S	8/2012
CN	305080827	S	3/2019
EM	004682623-0001		1/2018
JP	1282585	S	10/2006
JP	1283335	S	10/2006
JP	1413656	S	5/2011
JP	1414124	S	5/2011
JP	1433483	S	2/2012
JP	1566388	S	1/2017
JP	1581410	S	7/2017
JP	1639514	S	8/2019
JP	1639646	S	8/2019
JP	1658289	S	4/2020
JP	1660892	S	6/2020
JP	1660893	S	6/2020
KR	300599097		5/2011
TW	D197451	S	5/2019
WO	9323888	A1	11/1993
WO	2018079722	A1	5/2018

OTHER PUBLICATIONS

Office Action issued by the Chilean Patent Office for Application No. 2020003048 dated Aug. 19, 2021 (19 pages including statement of relevance).

Office Action issued by the Chilean Patent Office for Application No. 2019003645 dated Aug. 19, 2021 (16 pages including statement of relevance).

Office Action issued by the Chilean Patent Office for Application No. 201903645 dated Mar. 15, 2021 (15 pages including statement of relevance).

Office Action and Search Report issued by the Taiwanese Patent Office for Application No. 109302320 dated Jan. 11, 2021 (4 pages including statement of relevance).

Notice of Allowance and Search Report issued by the Taiwanese Patent Office for Application No. 18/304,035 dated May 22, 2020 (4 pages including statement of relevance).

Notice of Allowance issued by the Japanese Patent Office for Application No. 2019-027627 dated Jul. 14, 2020 (4 pages including statement of relevance).

Notice of Allowance issued by the Japanese Patent Office for Application No. 2019-027628 dated Jul. 14, 2020 (4 pages including statement of relevance).

First Substantive Examination Requirement issued by the Mexican Patent Office for Application No. MX/f/2019/003513 dated Feb. 16, 2021 (11 pages including English translation).

Stone et al., "A Modular Design Approach to Support Sustainable Design," ASME 2004 Design Engineering Technical Conference, © 2004, 10 pages.

* cited by examiner

Primary Examiner — Jennifer Rivard

Assistant Examiner — Alison M Ofstun

(74) *Attorney, Agent, or Firm* — Michael Best & Friedrich LLP

(57) **CLAIM**

We claim the ornamental design for a terminal block of a battery pack, as shown and described.

DESCRIPTION

FIG. 1 is a front perspective view of a first embodiment of a terminal block of a battery pack, showing our new design. FIG. 2 is a rear perspective view of the terminal block of the battery pack shown in FIG. 1.

FIG. 3 is another rear perspective view of the terminal block of the battery pack shown in FIG. 1.

FIG. 4 is a first side view of the terminal block of the battery pack shown in FIG. 1.

FIG. 5 is a second side view of the terminal block of the battery pack shown in FIG. 1.

FIG. 6 is a rear view of the terminal block of the battery pack shown in FIG. 1.

FIG. 7 is a top view of the terminal block of the battery pack shown in FIG. 1.

FIG. 8 is a front perspective view of a second embodiment of a terminal block of a battery pack, showing our new design.

FIG. 9 is a rear perspective view of the terminal block of the battery pack shown in FIG. 8.

FIG. 10 is another rear perspective view of the terminal block of the battery pack shown in FIG. 8.

FIG. 11 is a first side view of the terminal block of the battery pack shown in FIG. 8.

FIG. 12 is a second side view of the terminal block of the battery pack shown in FIG. 8.

FIG. 13 is a rear view of the terminal block of the battery pack shown in FIG. 8; and,

FIG. 14 is a top view of the terminal block of the battery pack shown in FIG. 8.

The broken lines represent unclaimed subject matter and form no part of the claimed design. The dash-dot broken lines represent boundary lines. The dash-dot broken lines themselves form no part of the claimed design.

1 Claim, 14 Drawing Sheets

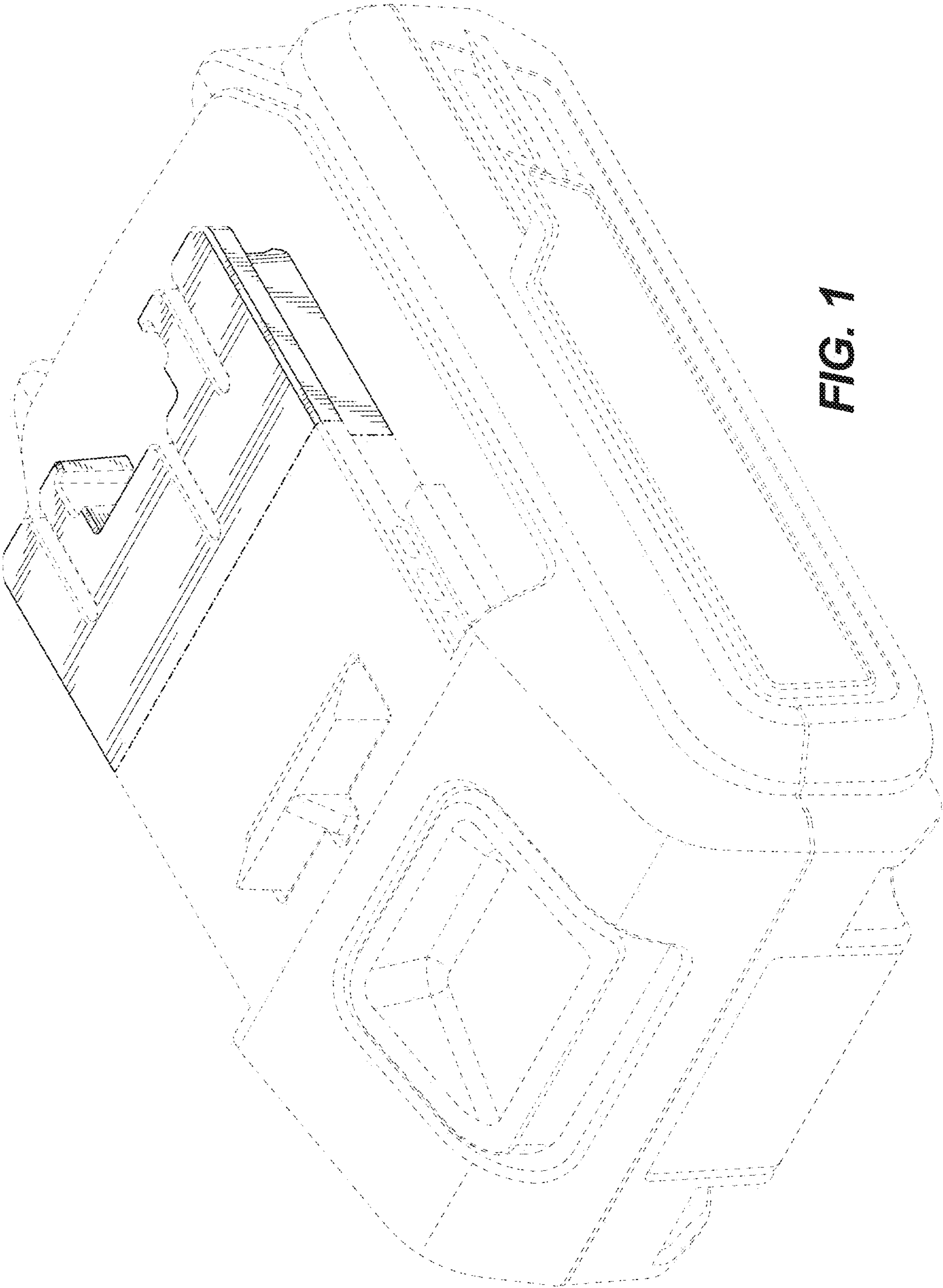


FIG. 1

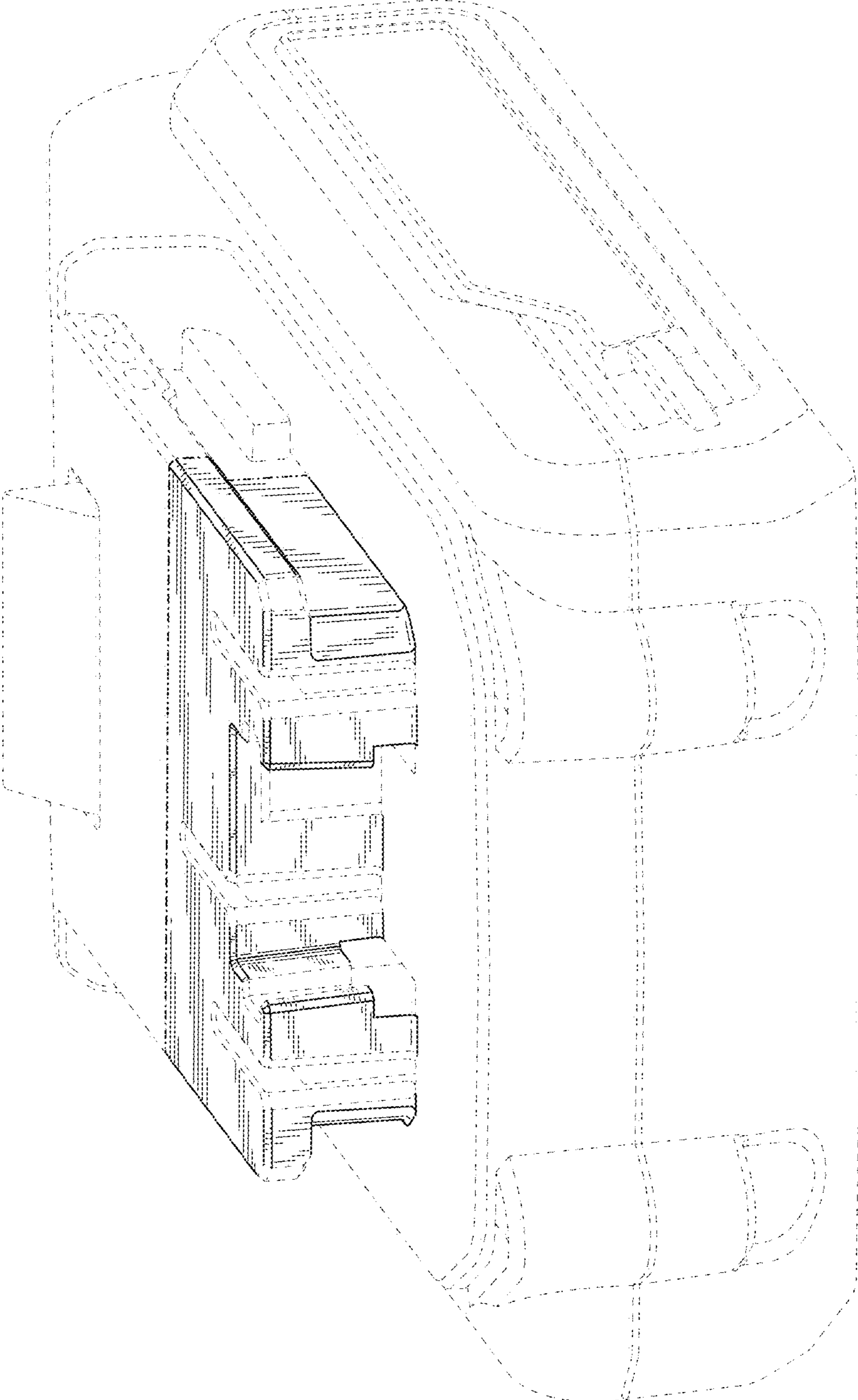


FIG. 2

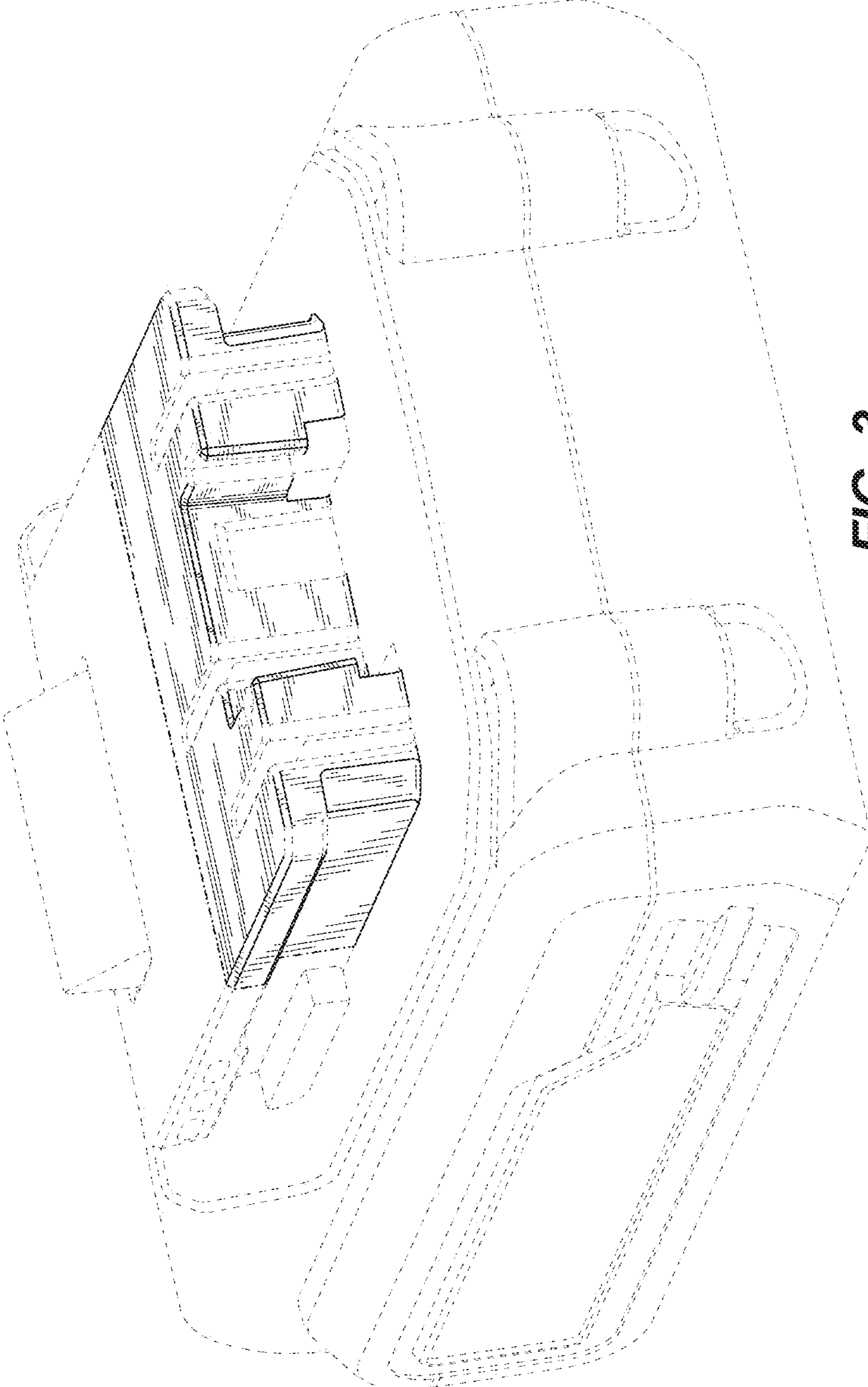


FIG. 3

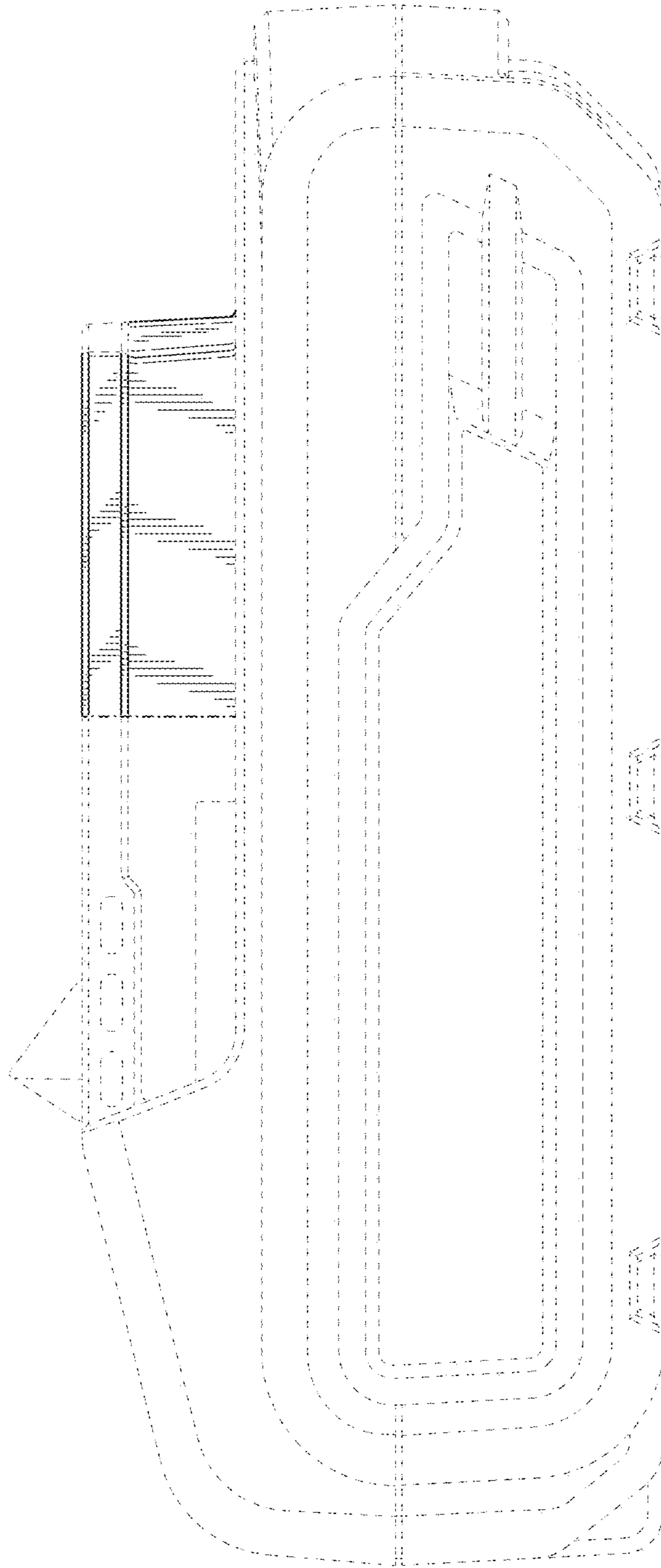


FIG. 4

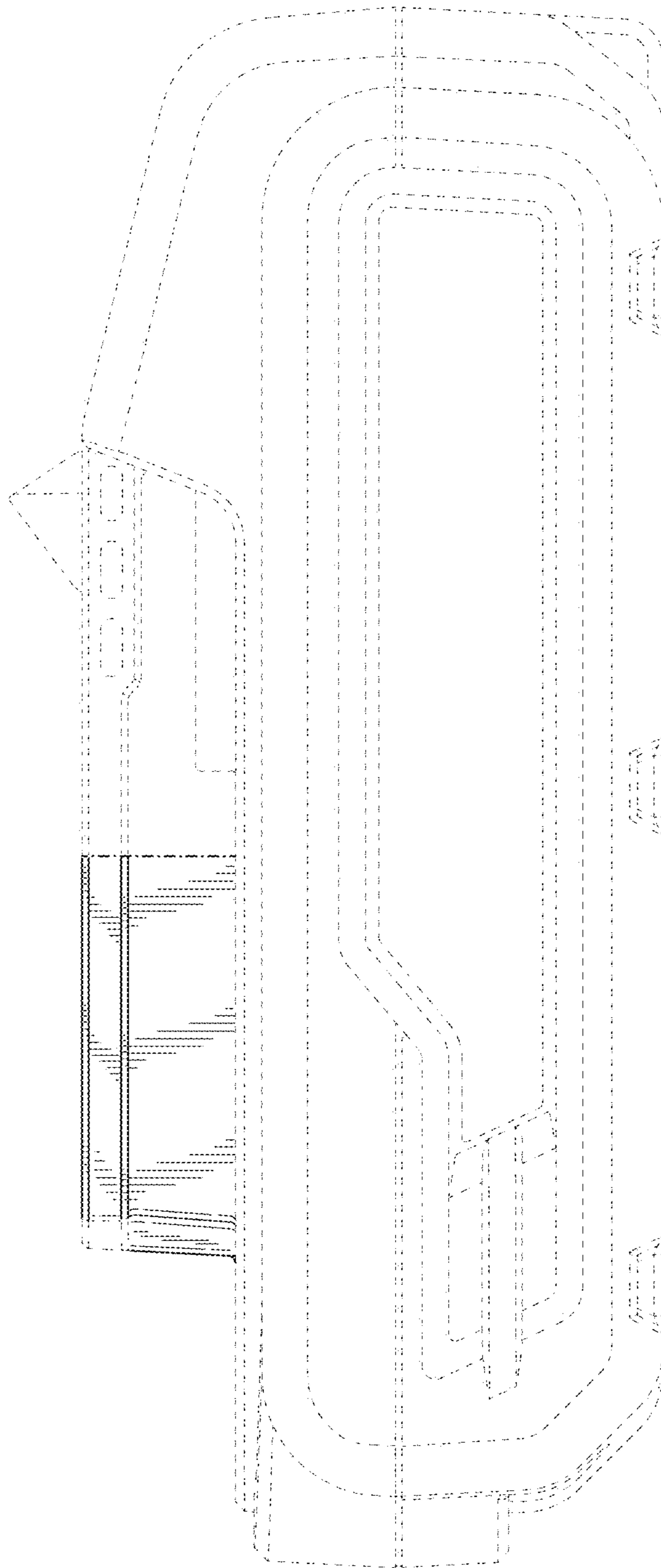


FIG. 5

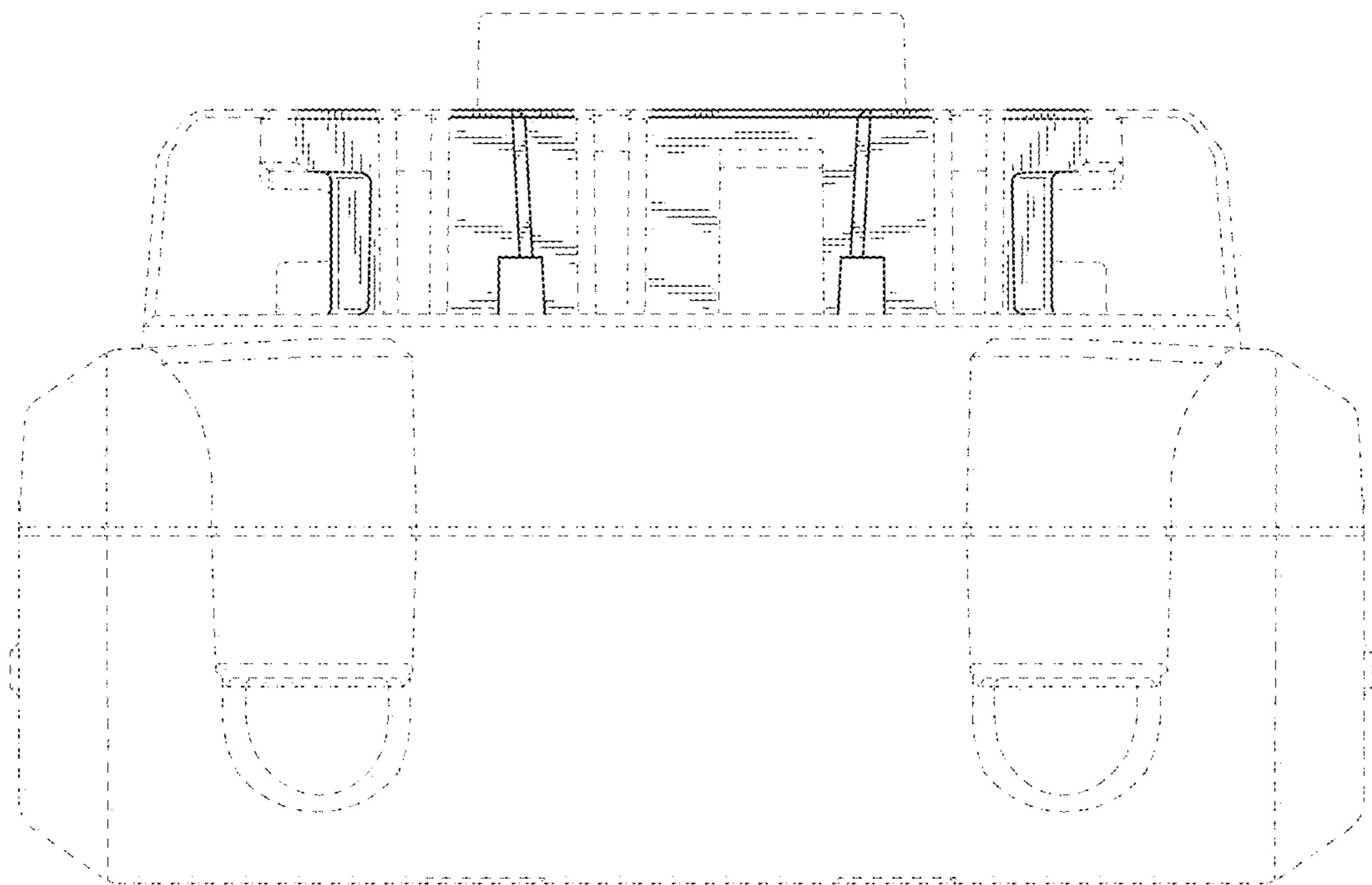


FIG. 6

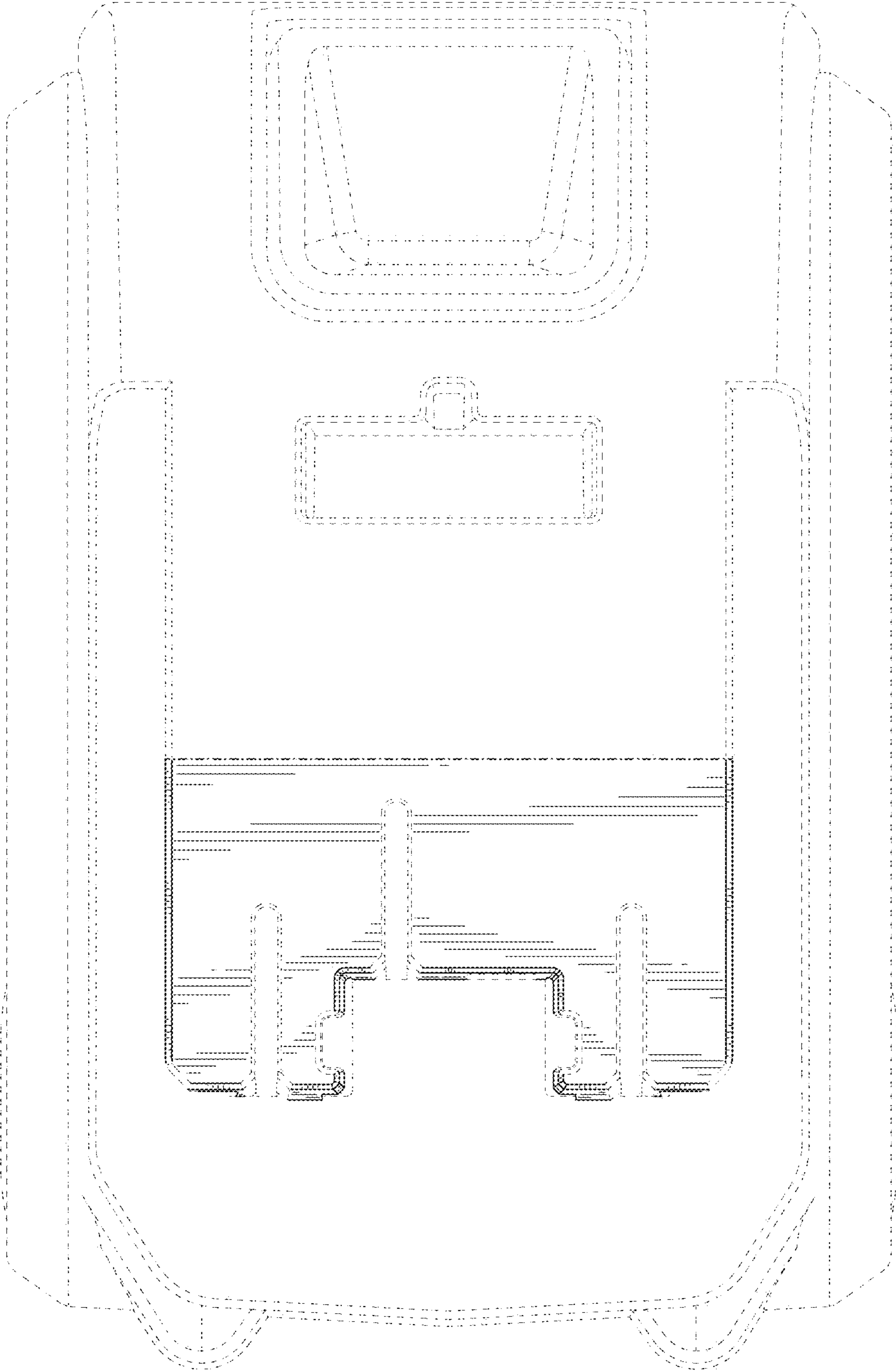


FIG. 7

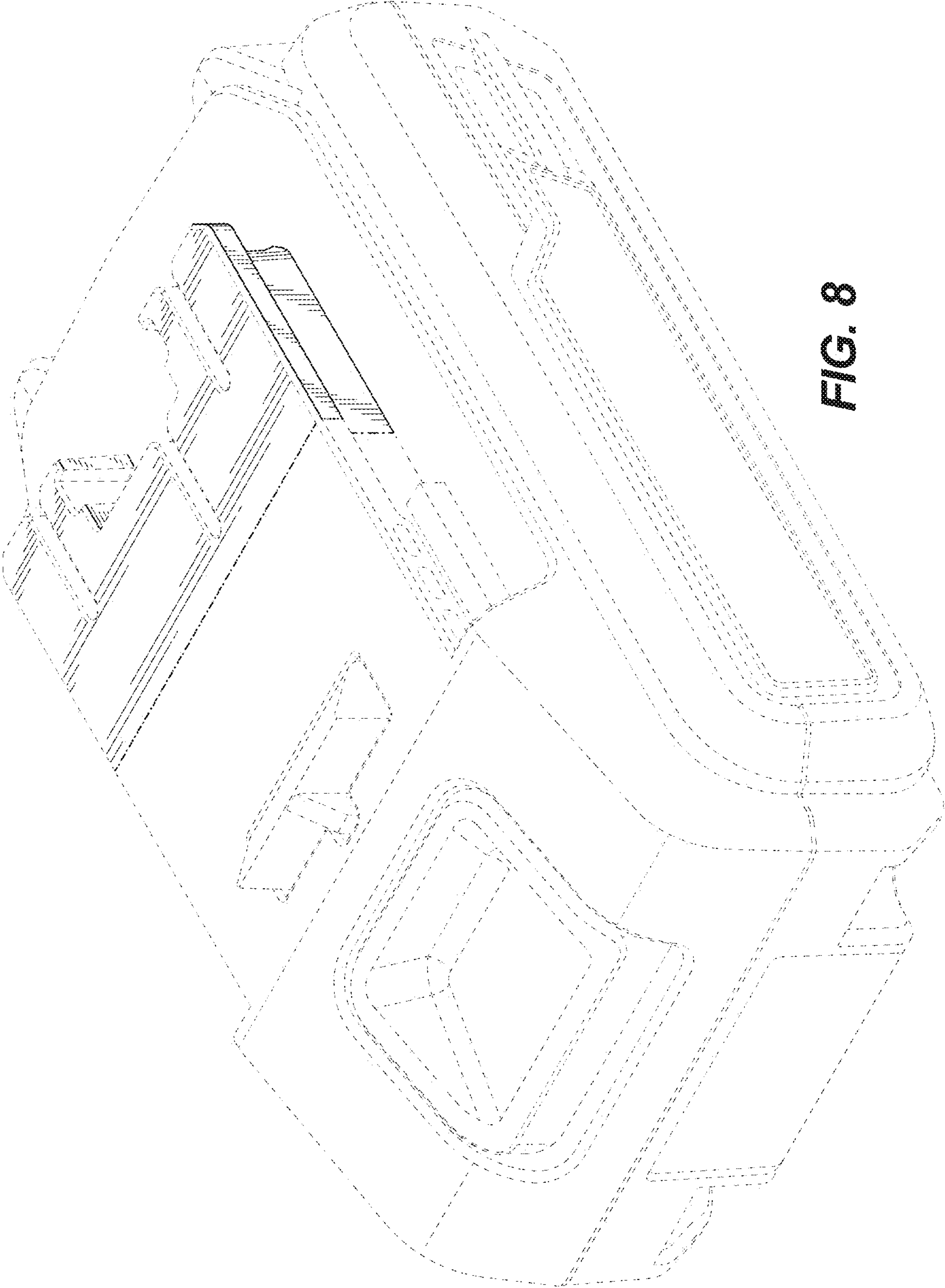


FIG. 8

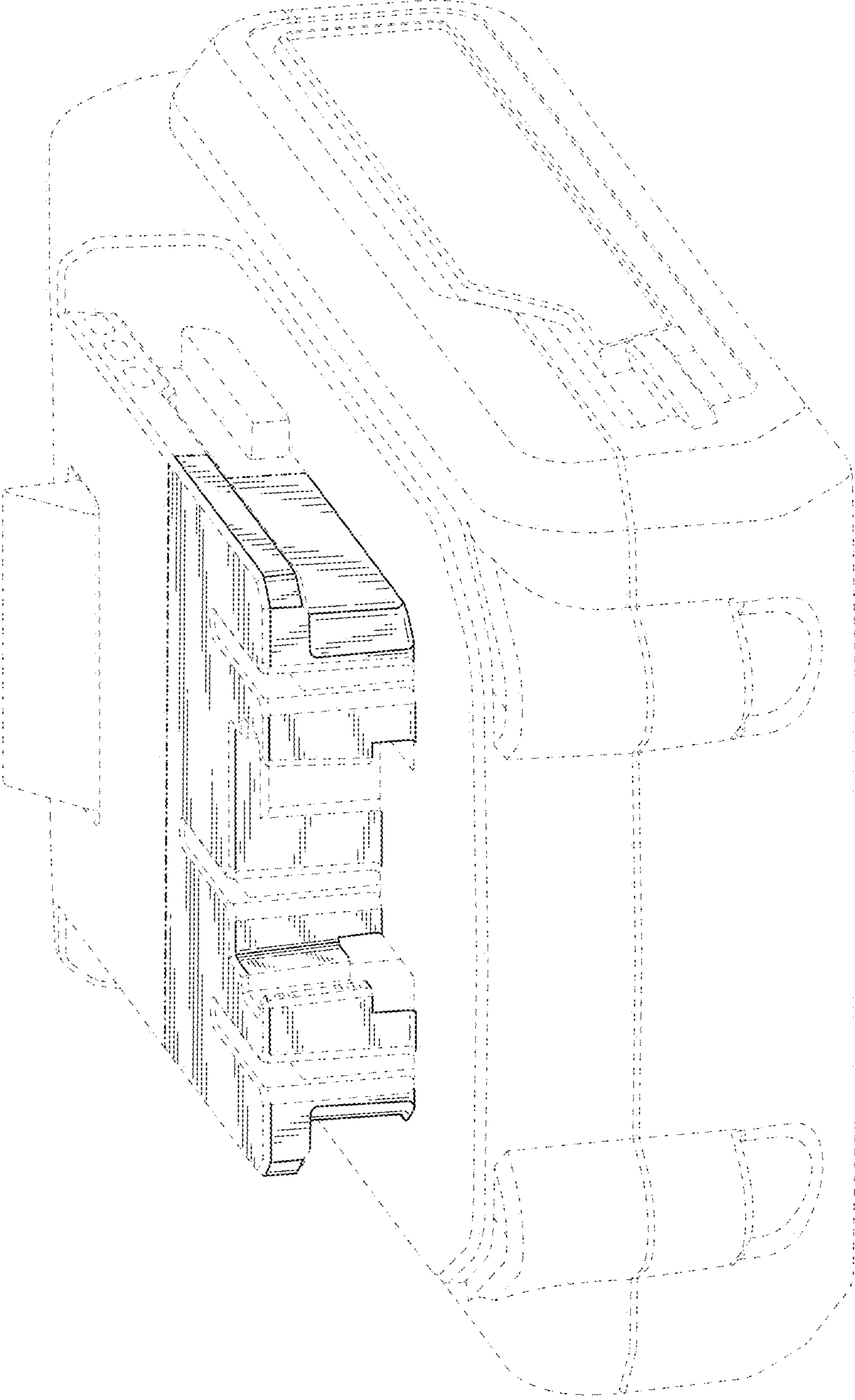


FIG. 9

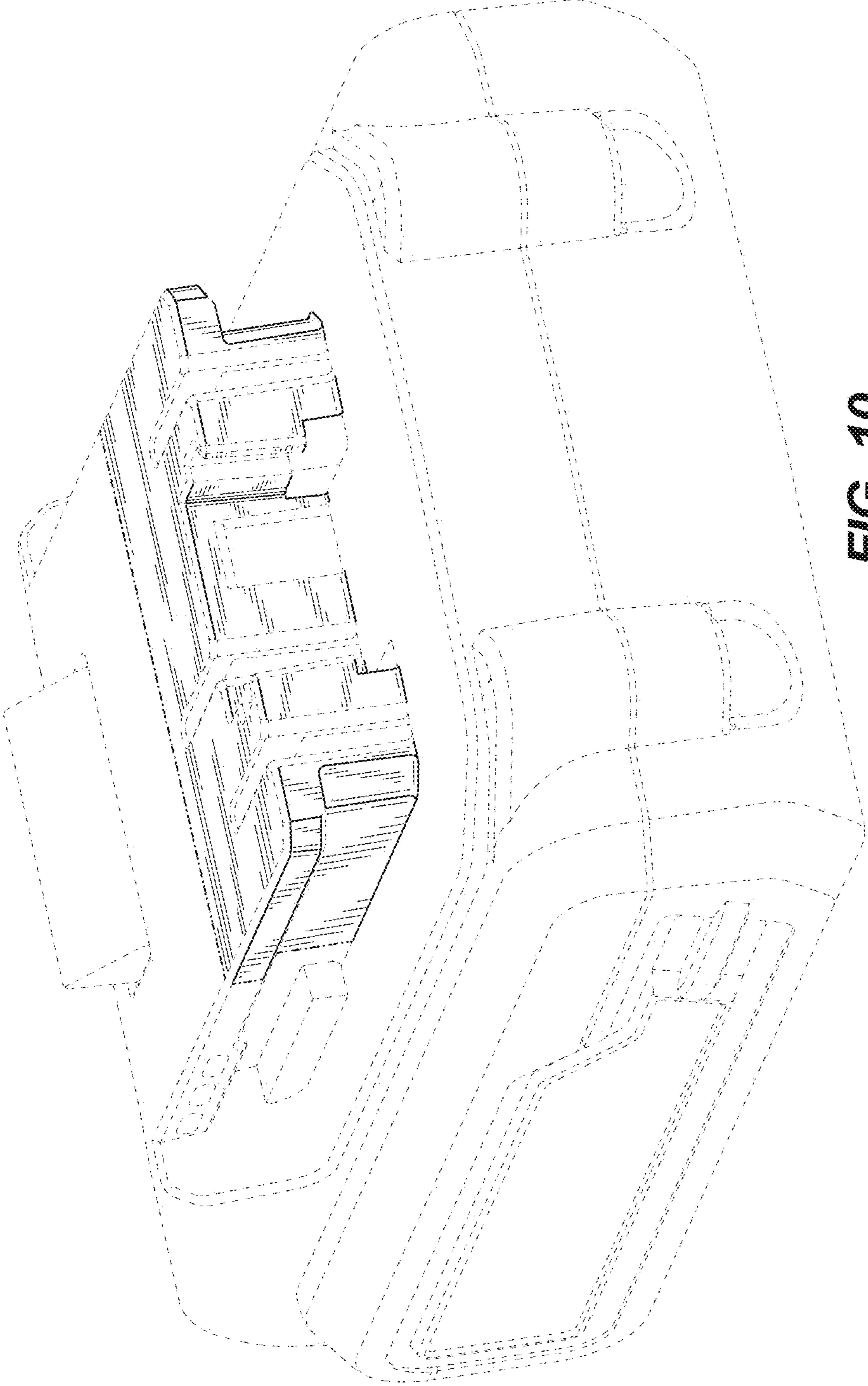


FIG. 10

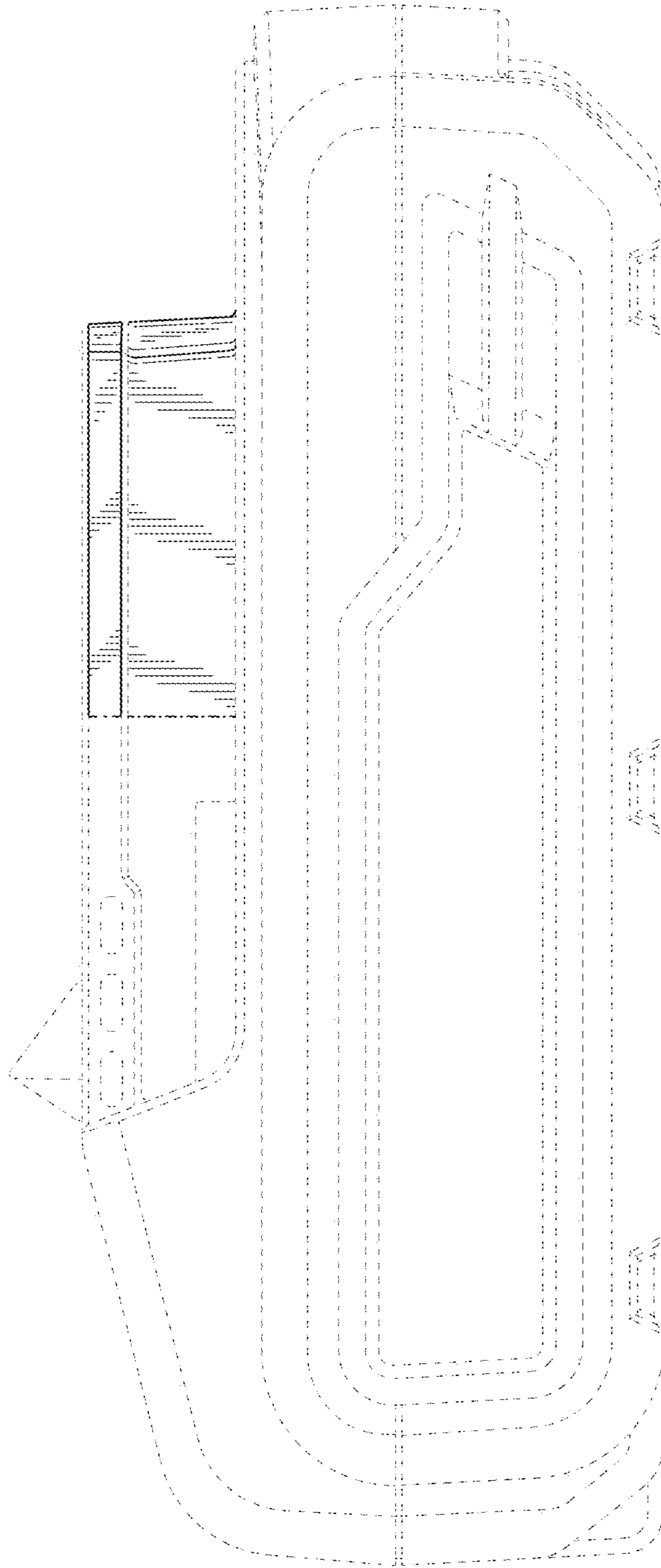


FIG. 11

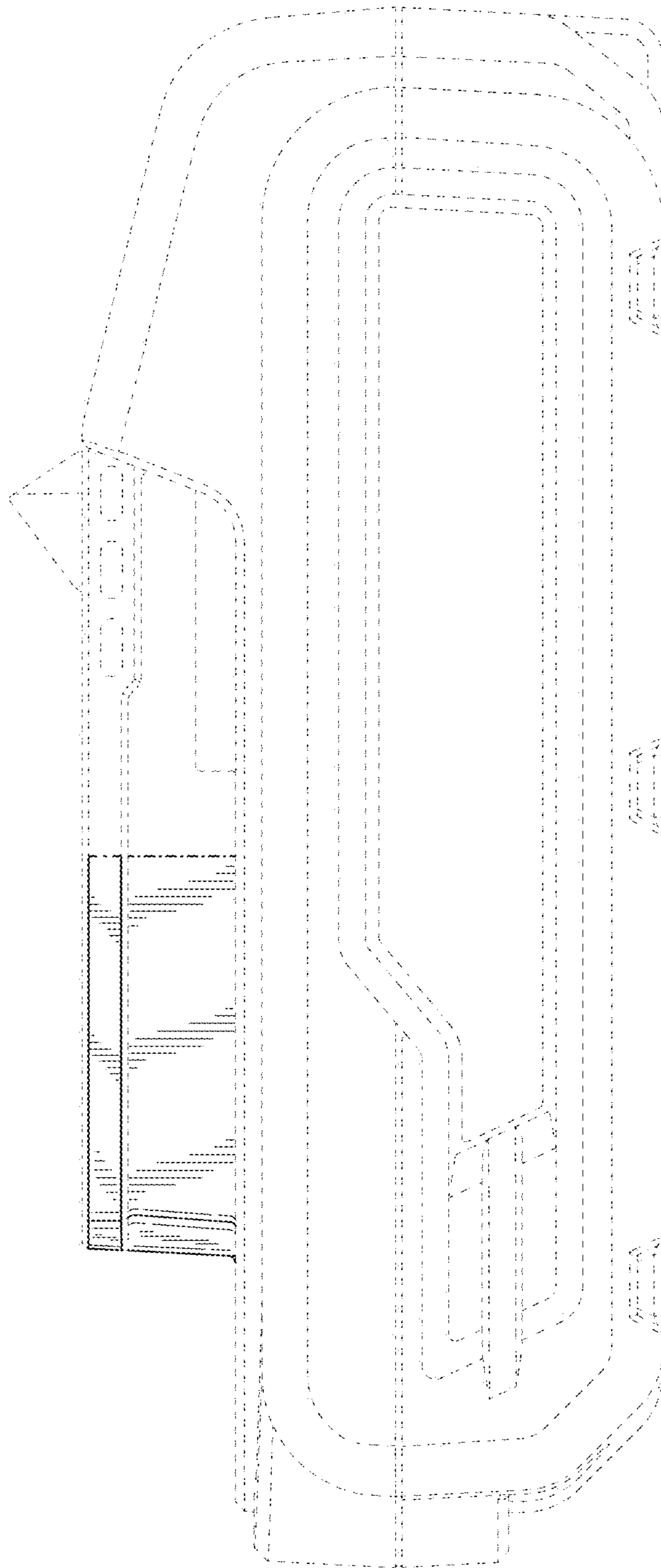


FIG. 12

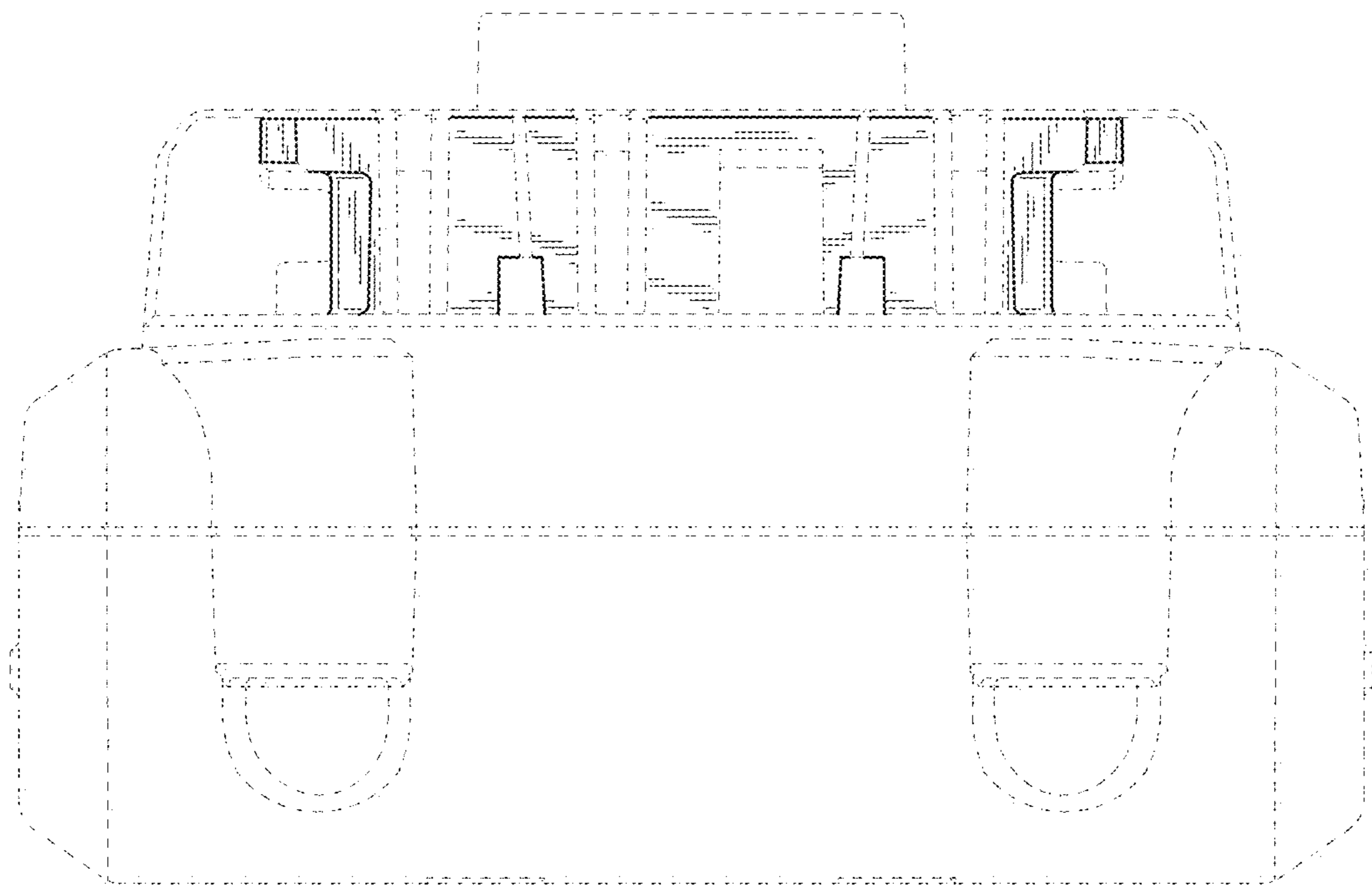


FIG. 13

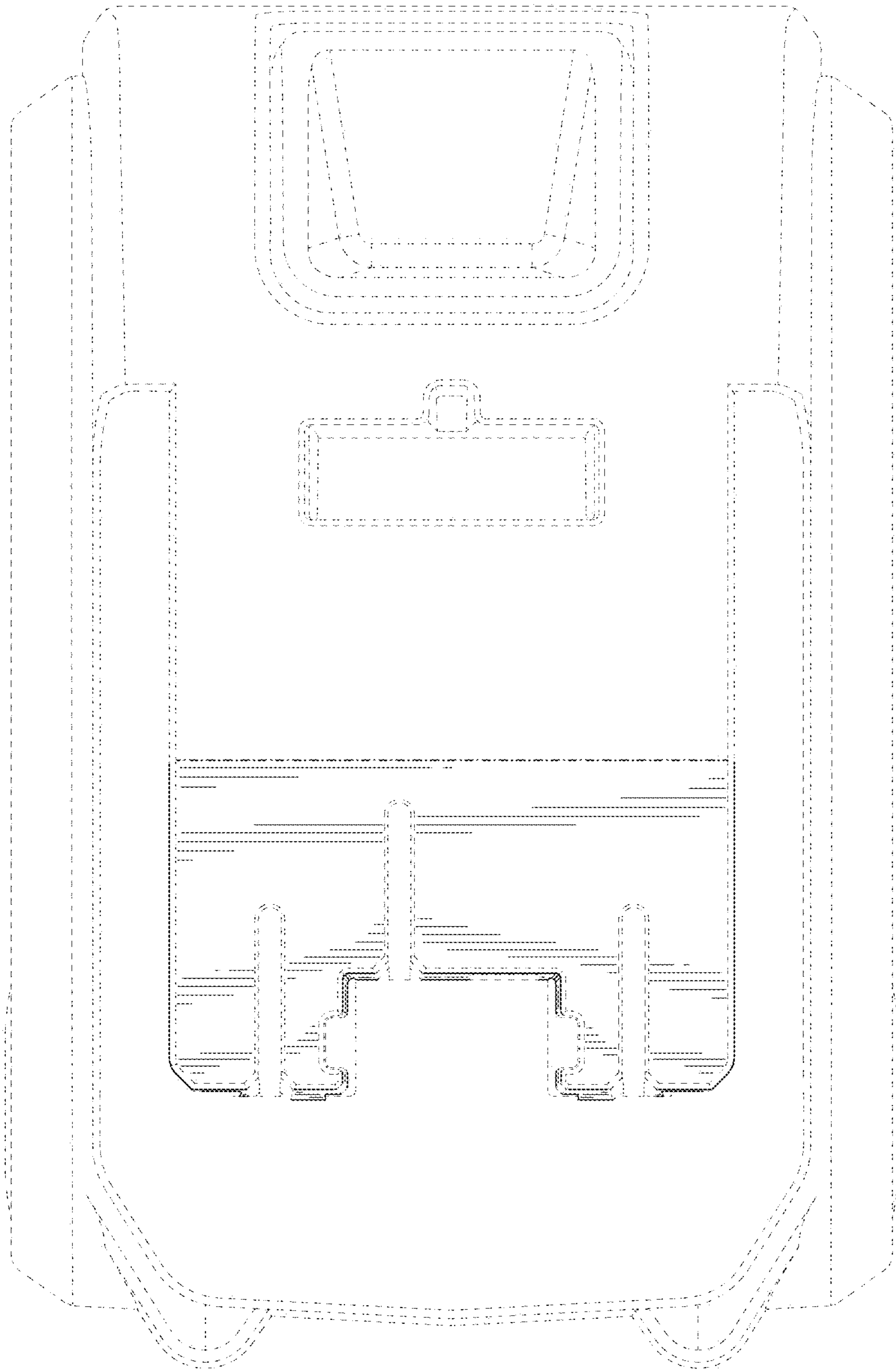


FIG. 14