



US00D937759S

(12) **United States Design Patent** (10) **Patent No.:** **US D937,759 S**
Chandrasekharan et al. (45) **Date of Patent:** **** Dec. 7, 2021**

(54) **TERMINAL BLOCK OF A BATTERY PACK**

FOREIGN PATENT DOCUMENTS

(71) Applicant: **TECHTRONIC CORDLESS GP,**
Anderson, SC (US)

CN 302042904 S 8/2012
CN 305080827 S 3/2019

(Continued)

(72) Inventors: **Nataraj Chandrasekharan,** Anderson,
SC (US); **Ryan J. Marino,** Greenville,
SC (US); **Brent M. Willey,** Anderson,
SC (US); **Matthew T. Aaron,**
Greenville, SC (US); **Frederick Bryan,**
Greenville, SC (US); **Tyler J. Rowe,**
Anderson, SC (US)

OTHER PUBLICATIONS

Office Action issued by the Chilean Patent Office for Application
No. 201903644 dated Mar. 15, 2021 (15 pages including statement
of relevance).

(Continued)

(73) Assignee: **TECHTRONIC CORDLESS GP,**
Anderson, SC (US)

Primary Examiner — Jennifer Rivard
Assistant Examiner — Alison M Ofstun

(**) Term: **15 Years**

(74) *Attorney, Agent, or Firm* — Michael Best &
Friedrich LLP

(21) Appl. No.: **29/694,581**

(22) Filed: **Jun. 12, 2019**

(57) **CLAIM**

(51) **LOC (13) Cl.** **13-02**

We claim the ornamental design for a terminal block of a
battery pack, as shown and described.

(52) **U.S. Cl.**

USPC **D13/103**

(58) **Field of Classification Search**

USPC D13/102–106, 110, 118–119, 184

CPC Y02E 60/12; Y02E 60/122; Y02E 60/124;

Y02E 60/50; H01M 2/02; H01M 2/022;

H01M 2/0202; H01M 2/0207; H01M

2/0212; H01M 2/1061; H01M 2/1022;

H01M 2/1055; H01M 2/1066; H01M

2/105; H01M 2/204; H01M 10/4257;

H01M 10/0436; H01M 10/48

See application file for complete search history.

DESCRIPTION

FIG. 1 is a front perspective view of a terminal block of a
battery pack, showing our new design.

FIG. 2 is a rear perspective view of the terminal block of the
battery pack shown in FIG. 1.

FIG. 3 is another rear perspective view of the terminal block
of the battery pack shown in FIG. 1.

FIG. 4 is a rear view of the terminal block of the battery pack
shown in FIG. 1; and,

FIG. 5 is a top view of the terminal block of the battery pack
shown in FIG. 1.

The broken lines represent unclaimed subject matter and
form no part of the claimed design. The dash-dot broken
lines represent boundary lines. The dash-dot broken lines
themselves form no part of the claimed design.

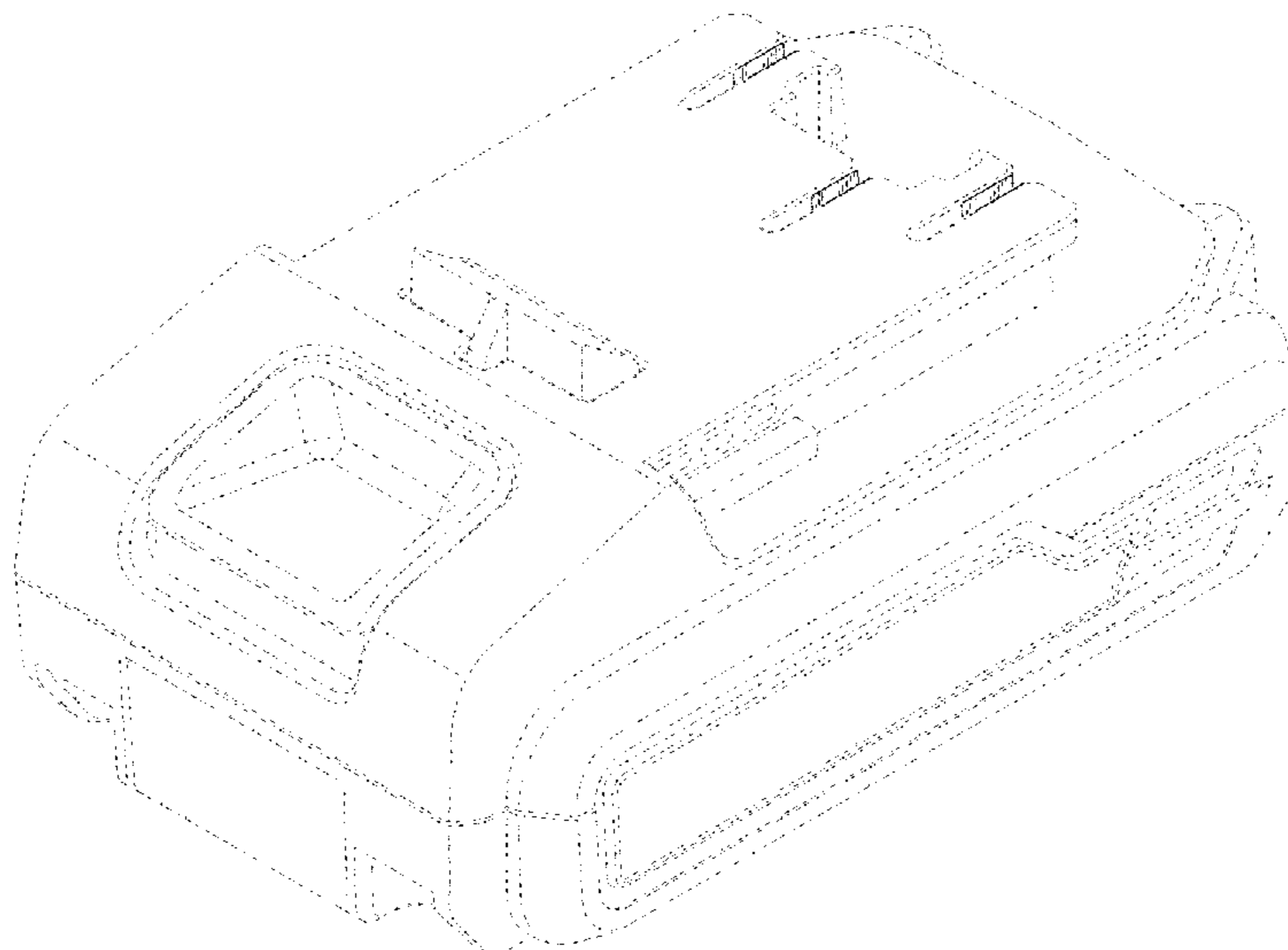
(56) **References Cited**

U.S. PATENT DOCUMENTS

6,274,266 B1 8/2001 Wang
D512,961 S 12/2005 Okuda et al.
7,491,466 B2 2/2009 Feddrix et al.
7,588,471 B2 9/2009 Rejman

(Continued)

1 Claim, 5 Drawing Sheets



(56)

References Cited

U.S. PATENT DOCUMENTS

7,618,741 B2 * 11/2009 Casalena H02J 7/0042
320/112

7,648,402 B2 1/2010 Rejman

7,688,028 B2 3/2010 Phillips et al.

7,723,952 B2 5/2010 Phillips et al.

7,777,448 B2 8/2010 Beghelli

7,868,591 B2 1/2011 Phillips et al.

D633,036 S 2/2011 Murray

D640,190 S 6/2011 Aglassinger

D643,809 S * 8/2011 Okuda D13/103

D657,307 S 4/2012 Zhao

D682,194 S * 5/2013 Jiang D13/103

D684,528 S * 6/2013 Murray D13/103

D698,312 S * 1/2014 Miller D13/119

8,691,411 B2 4/2014 Takahashi et al.

8,728,656 B2 5/2014 Takahashi et al.

D712,826 S * 9/2014 Marino D13/103

8,974,933 B2 3/2015 Krishnamurthi et al.

9,023,514 B2 5/2015 Tatehata et al.

9,112,292 B2 8/2015 Ogura

9,172,115 B2 * 10/2015 Kolden H01M 10/425

D748,577 S * 2/2016 Marino D13/118

D770,377 S 11/2016 Kondo

9,484,756 B2 11/2016 Su et al.

9,508,977 B2 11/2016 Tatehata et al.

D785,562 S 5/2017 Cooper

D790,307 S * 6/2017 Marino D8/70

9,685,682 B2 6/2017 Hoshi et al.

D800,062 S * 10/2017 Rowe D13/119

D800,656 S * 10/2017 Marino D13/119

9,793,534 B2 10/2017 Takahashi et al.

D801,916 S * 11/2017 Altenburger D13/103

D801,917 S * 11/2017 Jiang D13/103

9,825,263 B2 11/2017 Tatehata et al.

D826,149 S 8/2018 Cooper

D826,150 S 8/2018 Cayon

D884,601 S * 5/2020 Zhou D13/103

2004/0196599 A1 10/2004 Kim

2006/0087283 A1 4/2006 Phillips et al.

2006/0087284 A1 4/2006 Phillips et al.

2006/0087285 A1 4/2006 Phillips et al.

2006/0087286 A1 4/2006 Phillips et al.

2006/0275656 A1 12/2006 Feddrix et al.

2007/0273330 A1 11/2007 Beghelli

2008/0003494 A1 1/2008 Rejman

2008/0084181 A1 * 4/2008 Griffin H01R 13/6315
320/114

2009/0186262 A1 7/2009 Takahashi et al.

2009/0197161 A1 8/2009 Nakamura

2009/0202896 A1 8/2009 Rejman

2009/0246608 A1 10/2009 Wu et al.

2010/0141207 A1 6/2010 Phillips et al.

2010/0209751 A1 8/2010 Matthias et al.

2011/0133496 A1 6/2011 Cooper

2012/0045667 A1 2/2012 Yoneda et al.

2012/0052337 A1 3/2012 Krishnamurthi et al.

2012/0237801 A1 9/2012 Tatehata et al.

2013/0008682 A1 1/2013 Turner et al.

2013/0052502 A1 2/2013 Su et al.

2013/0244504 A1 9/2013 Ogura

2014/0030563 A1 1/2014 Hoshi et al.

2014/0037993 A1 2/2014 Takahashi et al.

2014/0248530 A1 9/2014 Takahashi et al.

2014/0266071 A1 * 9/2014 Tomiyasu H02J 7/0091
320/150

2014/0272516 A1 * 9/2014 Tennison H01M 10/613
429/120

2014/0302353 A1 10/2014 Ogura

2014/0349143 A1 11/2014 Ogura et al.

2015/0263327 A1 9/2015 Tatehata et al.

2015/0357683 A1 * 12/2015 Lohr H02J 7/0045
320/108

2015/0367497 A1 12/2015 Ito et al.

2016/0240901 A1 8/2016 Kondo

2016/0241065 A1 8/2016 Kondo et al.

2017/0040574 A1 2/2017 Tatehata et al.

2018/0040927 A1 2/2018 Rejman et al.

2018/0055324 A1 3/2018 Hwang et al.

2018/0277801 A1 9/2018 Brozek et al.

2020/0052257 A1 2/2020 Stanton et al.

2020/0139531 A1 * 5/2020 Zahn H01M 2/348

FOREIGN PATENT DOCUMENTS

EM 304682623-0001 1/2018

JP 1282585 S 10/2006

JP 1283335 S 10/2006

JP 1413656 S 5/2011

JP 1414124 S 5/2011

JP 1433483 S 2/2012

JP 1566388 S 1/2017

JP 1581410 S 7/2017

JP 1639514 S 8/2019

JP 1639646 S 8/2019

JP 1658289 S 4/2020

JP 1660892 S 6/2020

JP 1660893 S 6/2020

KR 300599097 S 5/2011

TW D197451 S 5/2019

WO 9323888 A1 11/1993

WO 2018079722 A1 5/2018

OTHER PUBLICATIONS

Office Action and Search Report issued by the Taiwanese Patent Office for Application No. 109302293 dated Nov. 4, 2020 (4 pages including statement of relevance).

Office Action and Search Report issued by the Taiwanese Patent Office for Application No. 109302294 dated Nov. 13, 2020 (4 pages including statement of relevance).

Office Action and Search Report issued by the Taiwanese Patent Office for Application No. 108304036 dated May 21, 2020 (4 pages including statement of relevance).

Notice of Allowance issued by the Japanese Patent Office for Application No. 2019-027625 dated Jul. 14, 2020 (4 pages including statement of relevance).

Notice of Allowance issued by the Japanese Patent Office for Application No. 2019-027626 dated Jul. 14, 2020 (4 pages including statement of relevance).

First Substantive Examination Requirement issued by the Mexican Patent Office for Application No. MX/f/2019/003512 dated Feb. 16, 2021 (10 pages including English translation).

Office Action issued by the Chilean Patent Office for Application No. 2019003644 dated Sep. 21, 2021 (16 pages including statement of relevance).

Stone et al., "A Modular Design Approach to Support Sustainable Design," ASME 2004 Design Engineering Technical Conference, © 2004, 10 pages.

* cited by examiner

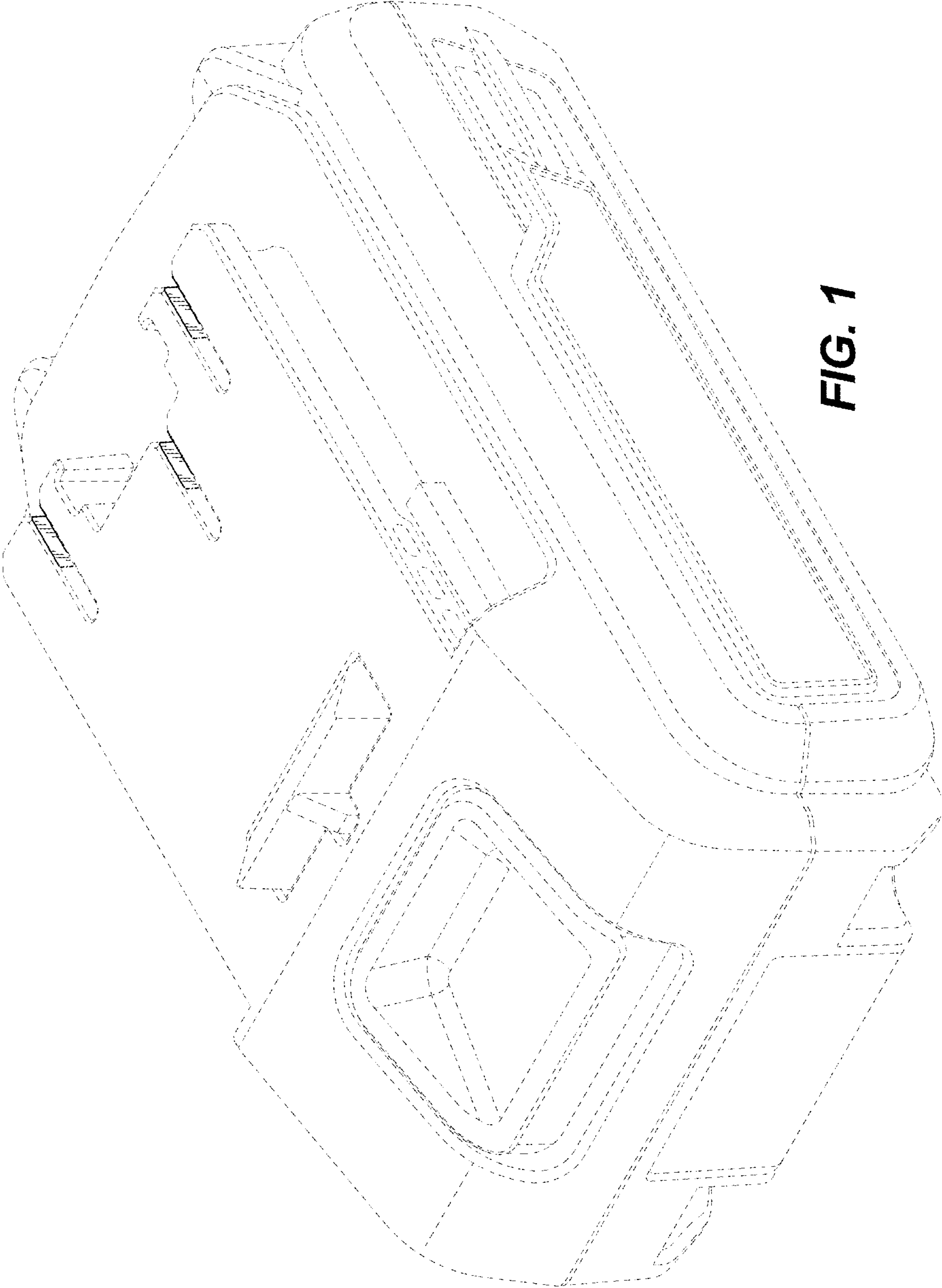


FIG. 1

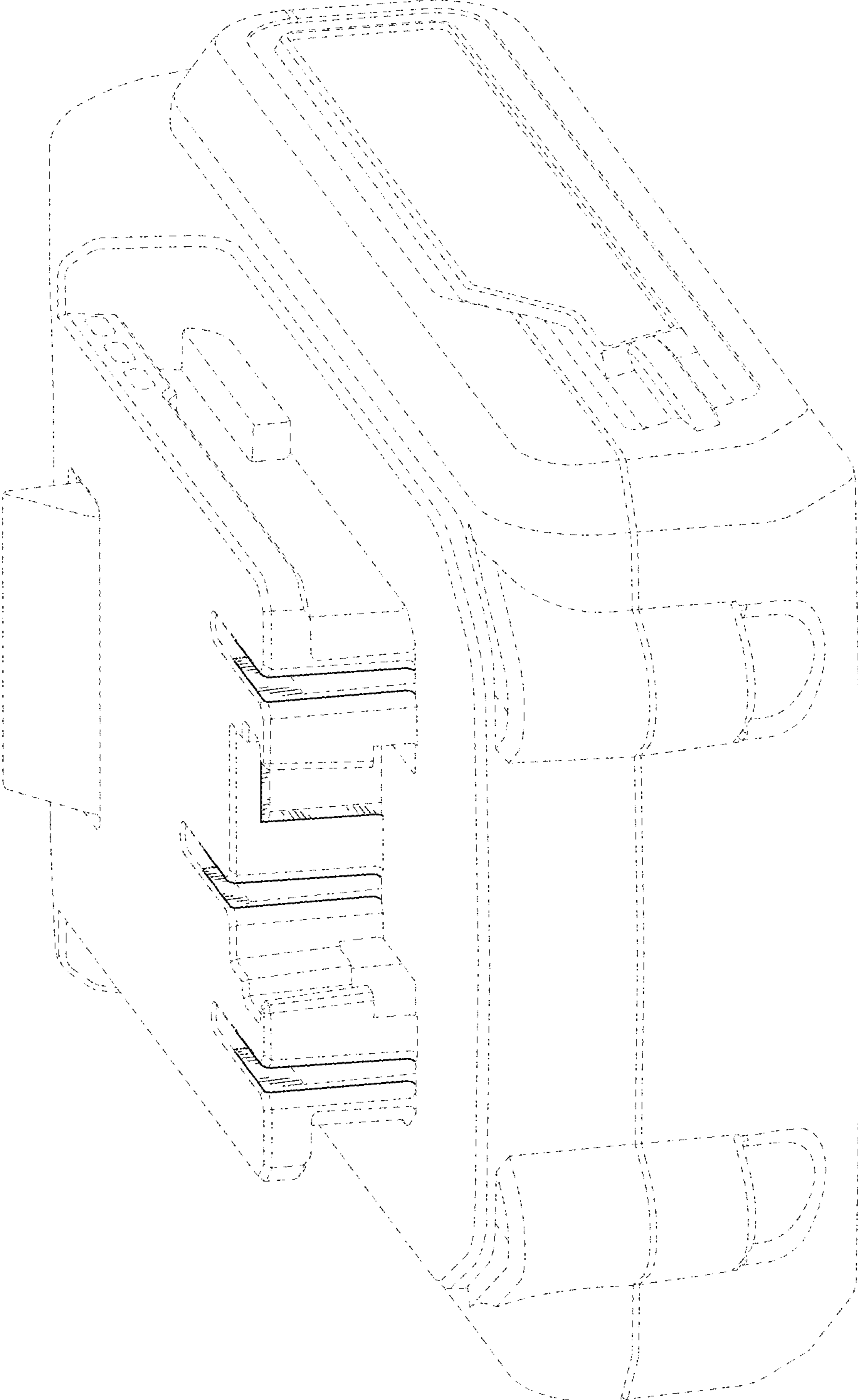


FIG. 2

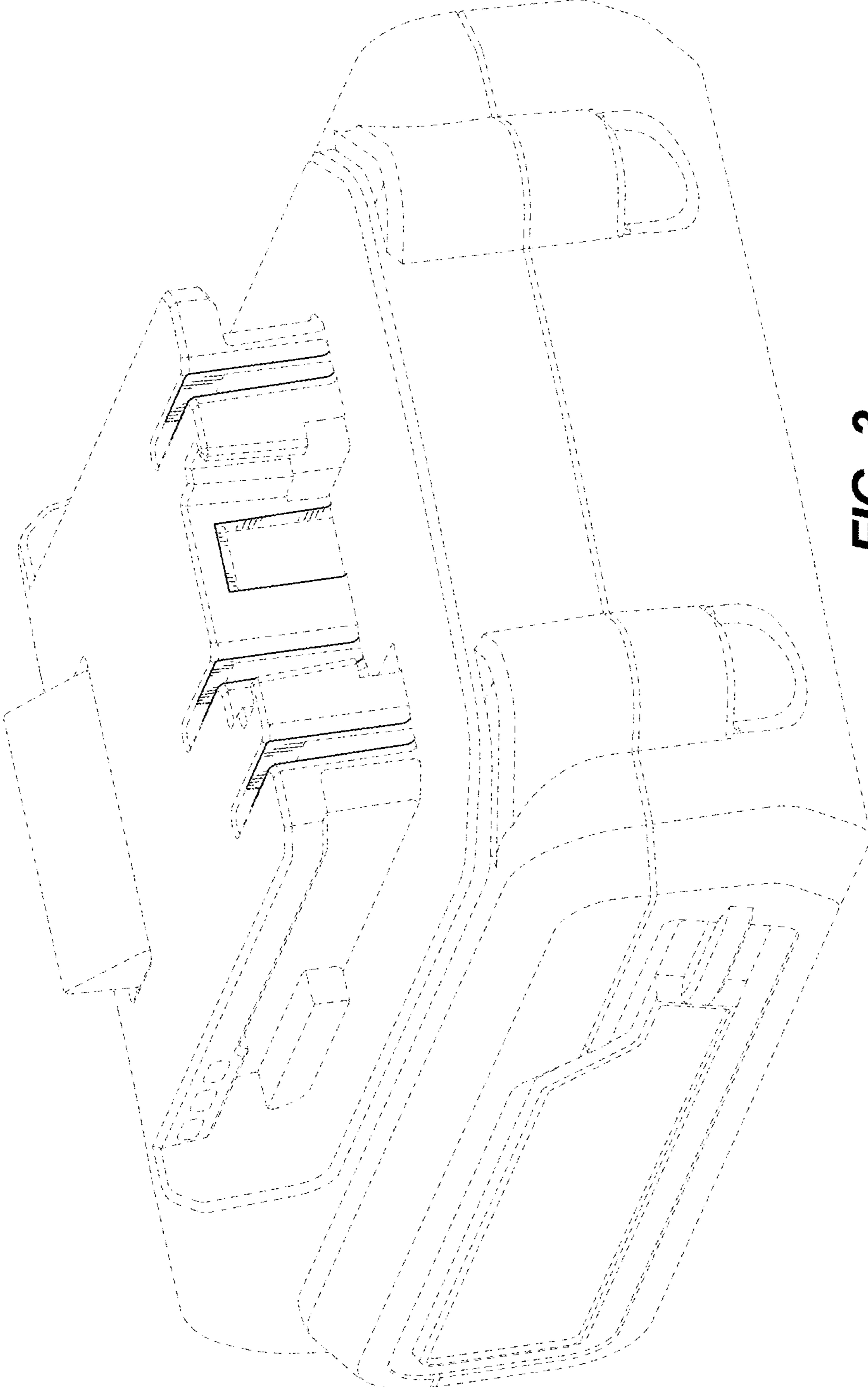


FIG. 3

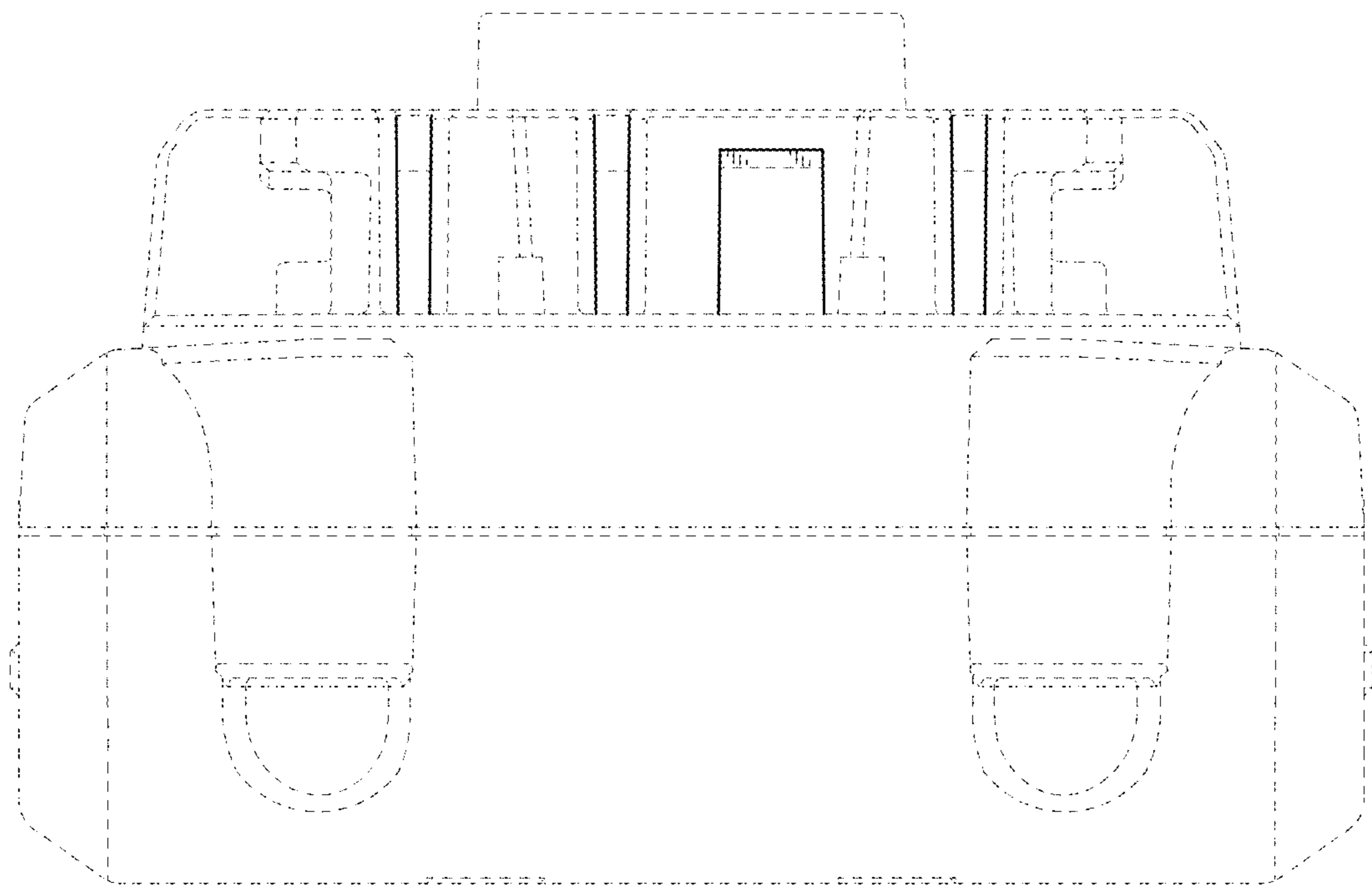


FIG. 4

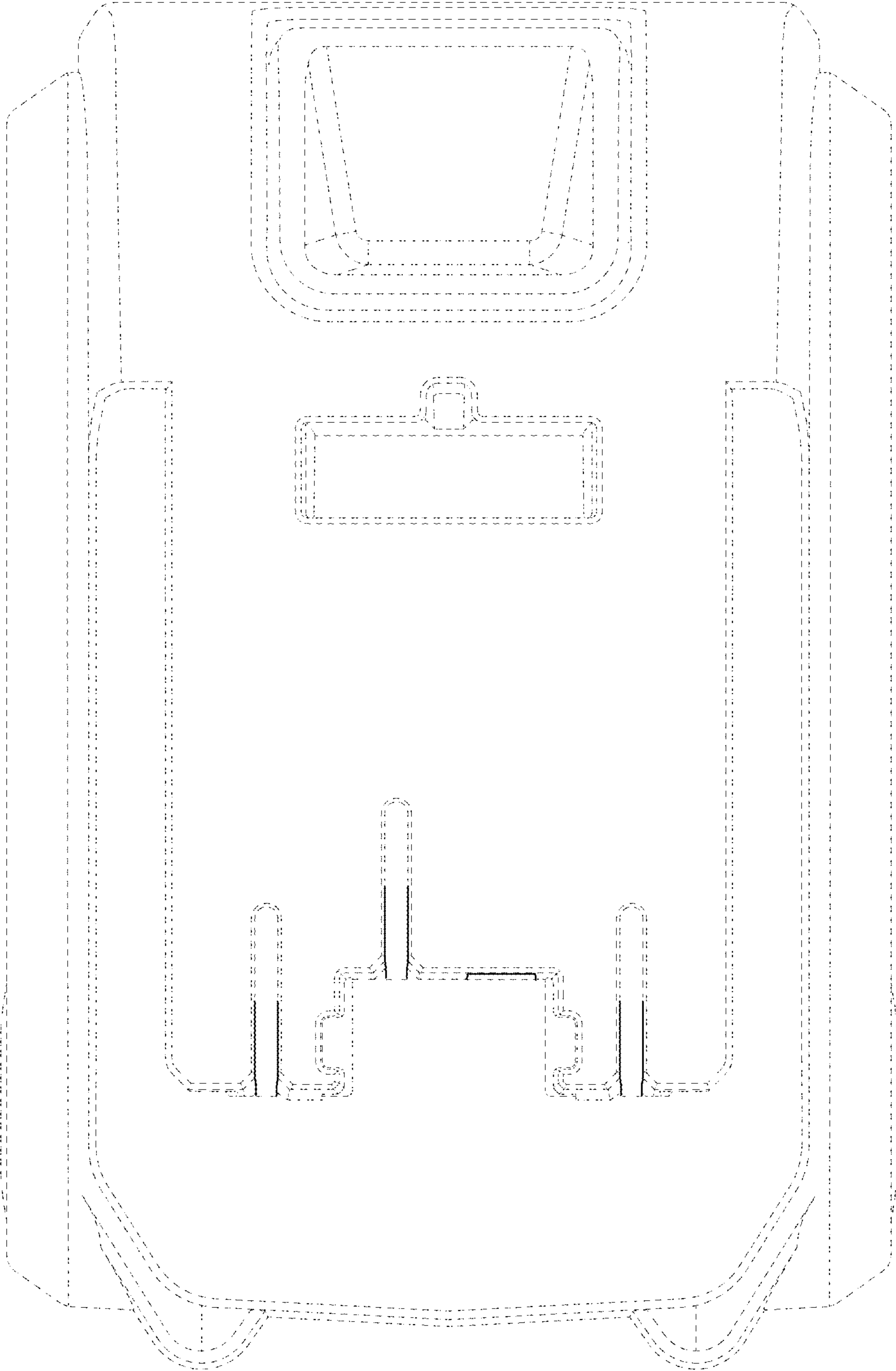


FIG. 5