



US00D937758S

(12) **United States Design Patent**  
**Nakaishi**

(10) **Patent No.:** **US D937,758 S**

(45) **Date of Patent:** **\*\* Dec. 7, 2021**

- (54) **TIRE**
- (71) Applicant: **Toyo Tire Corporation**, Itami (JP)
- (72) Inventor: **Ayaki Nakaishi**, Itami (JP)
- (73) Assignee: **Toyo Tire Corporation**, Itami (JP)
- (\*\*) Term: **15 Years**
- (21) Appl. No.: **29/748,148**

D799,414 S *	10/2017	Sato .....	D12/605
D799,415 S *	10/2017	Sato .....	D12/605
D800,642 S *	10/2017	Takahashi .....	D12/605
D806,641 S *	1/2018	Fujioka .....	D12/605
D809,453 S *	2/2018	Sato .....	D12/605
D815,591 S *	4/2018	Rogers .....	D12/605
D826,144 S *	8/2018	Ishigaki .....	D12/605
D827,562 S *	9/2018	Rogers .....	D12/605
D830,291 S *	10/2018	Lundgren .....	D12/605
D833,381 S *	11/2018	Fujioka .....	D12/605
D847,088 S *	4/2019	Scheifele .....	D12/605
D848,942 S *	5/2019	Scheifele .....	D12/605

(Continued)

- (22) Filed: **Aug. 27, 2020**
- (30) **Foreign Application Priority Data**
- Mar. 4, 2020 (JP) ..... 2020-004338 D
- (51) **LOC (13) Cl.** ..... **12-15**
- (52) **U.S. Cl.**
- USPC ..... **D12/605**
- (58) **Field of Classification Search**
- USPC ..... D12/604, 605
- CPC ..... B60C 13/00; B60C 1/00
- See application file for complete search history.

(56) **References Cited**

**U.S. PATENT DOCUMENTS**

D631,823 S *	2/2011	Takano .....	D12/605
D663,259 S	7/2012	Umstot et al.	
D777,095 S *	1/2017	Sato .....	D12/605
D778,814 S *	2/2017	Sato .....	D12/605
D779,425 S *	2/2017	Scheifele .....	D12/605
D782,970 S *	4/2017	Sato .....	D12/605
D783,519 S *	4/2017	Fujioka .....	D12/605
D783,520 S *	4/2017	Fujioka .....	D12/605
D788,026 S *	5/2017	Lundgren .....	D12/605
D789,291 S *	6/2017	Chen .....	D12/605
D795,179 S *	8/2017	Itoi .....	D12/605
D795,797 S *	8/2017	Sato .....	D12/605
D799,413 S *	10/2017	Sato .....	D12/605

*Primary Examiner* — Michelle E. Wilson  
*Assistant Examiner* — Clese Moore, Jr.  
 (74) *Attorney, Agent, or Firm* — Sterne, Kessler,  
 Goldstein & Fox P.L.L.C.

(57) **CLAIM**

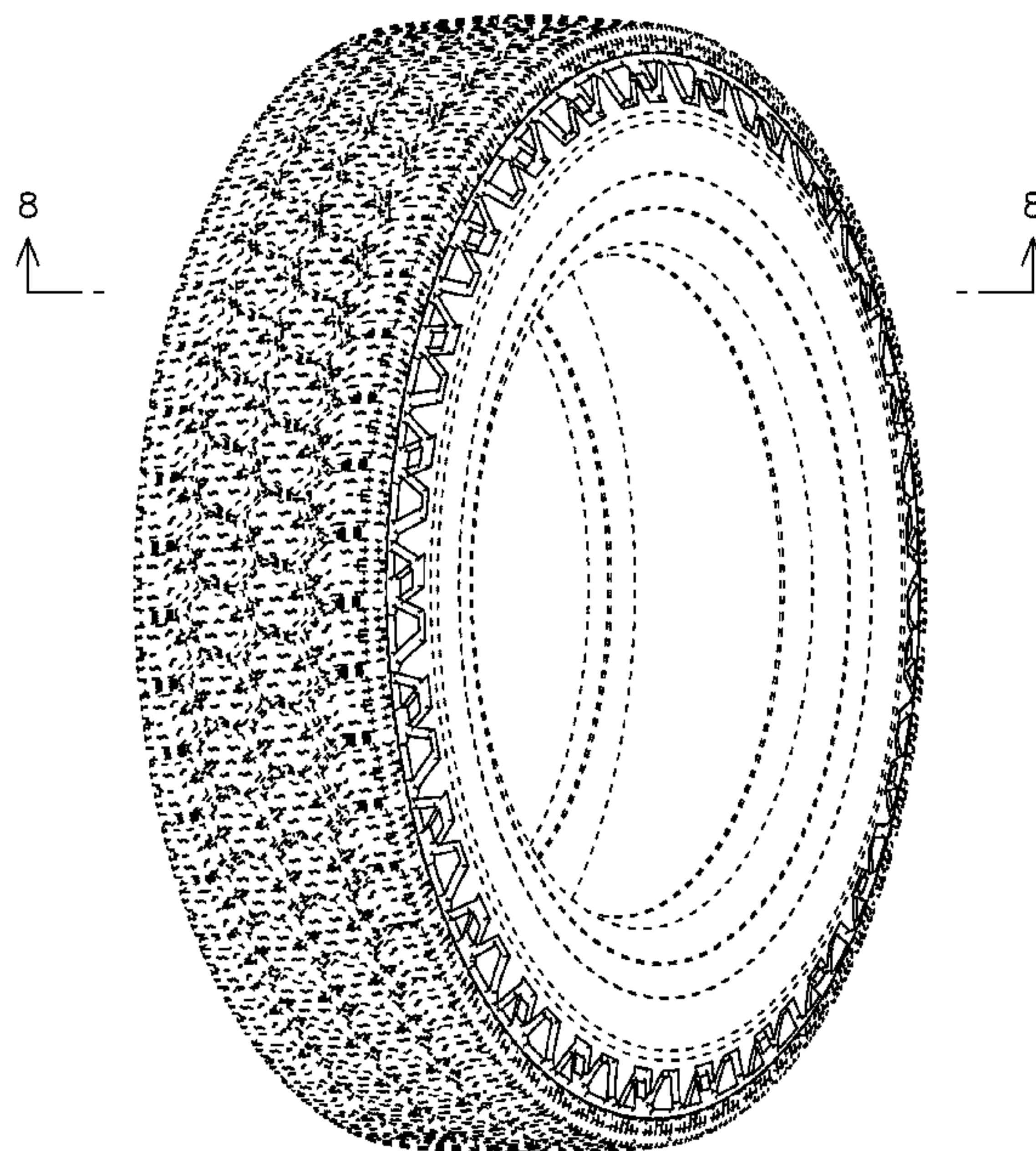
The ornamental design for a tire, as shown and described.

**DESCRIPTION**

FIG. 1 is a front perspective view of a tire showing the claimed design;  
 FIG. 2 is a front view thereof;  
 FIG. 3 is a rear view thereof;  
 FIG. 4 is a top plan view thereof;  
 FIG. 5 is a bottom plan view thereof;  
 FIG. 6 is a right side view thereof;  
 FIG. 7 is a left side view thereof;  
 FIG. 8 is an enlarged view taken along line 8-8 in FIG. 1;  
 FIG. 9 is an enlarged view of the portion 9-9 in FIG. 2; and,  
 FIG. 10 is a cross-sectional view taken along line 10-10 in FIG. 9.

In the drawings, the broken lines show portions of the tire that form no part of the claimed design. The outermost broken lines of the sidewall form the boundary of the claim and form no part thereof.

**1 Claim, 10 Drawing Sheets**



(56)

**References Cited**

U.S. PATENT DOCUMENTS

D852,733 S \* 7/2019 Kuwano ..... D12/605  
D870,032 S \* 12/2019 Hoshino ..... D12/605

\* cited by examiner



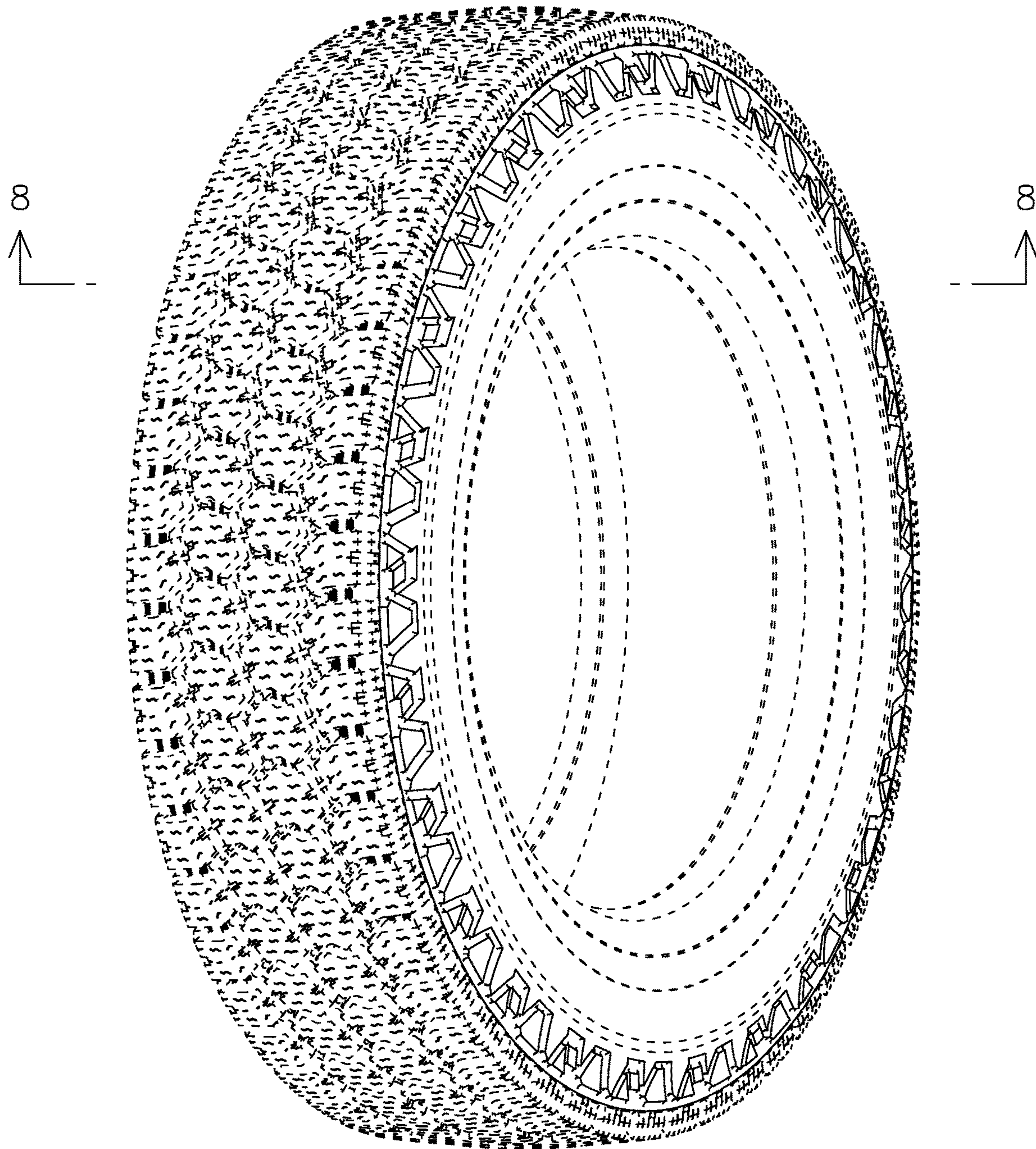


FIG. 1

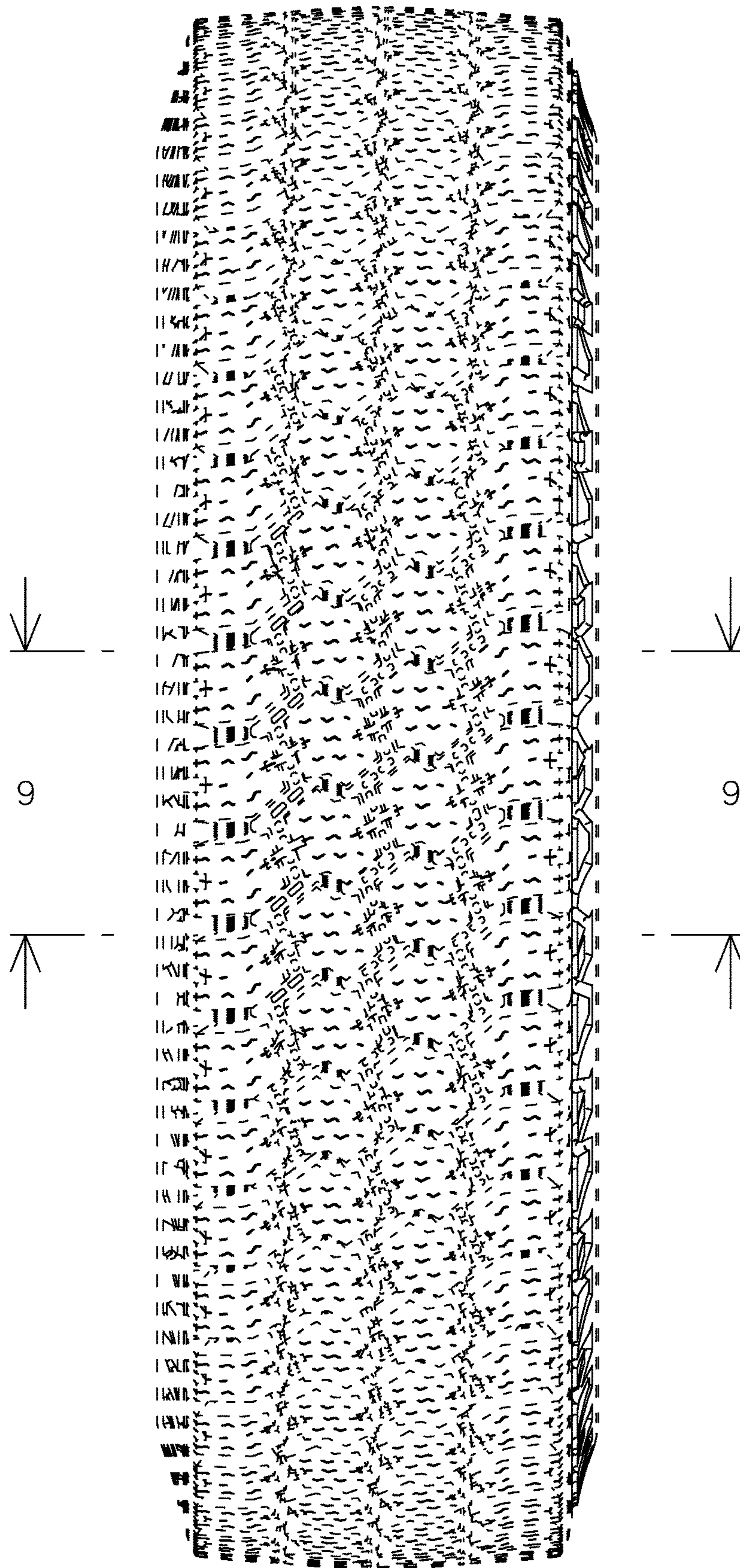


FIG. 2



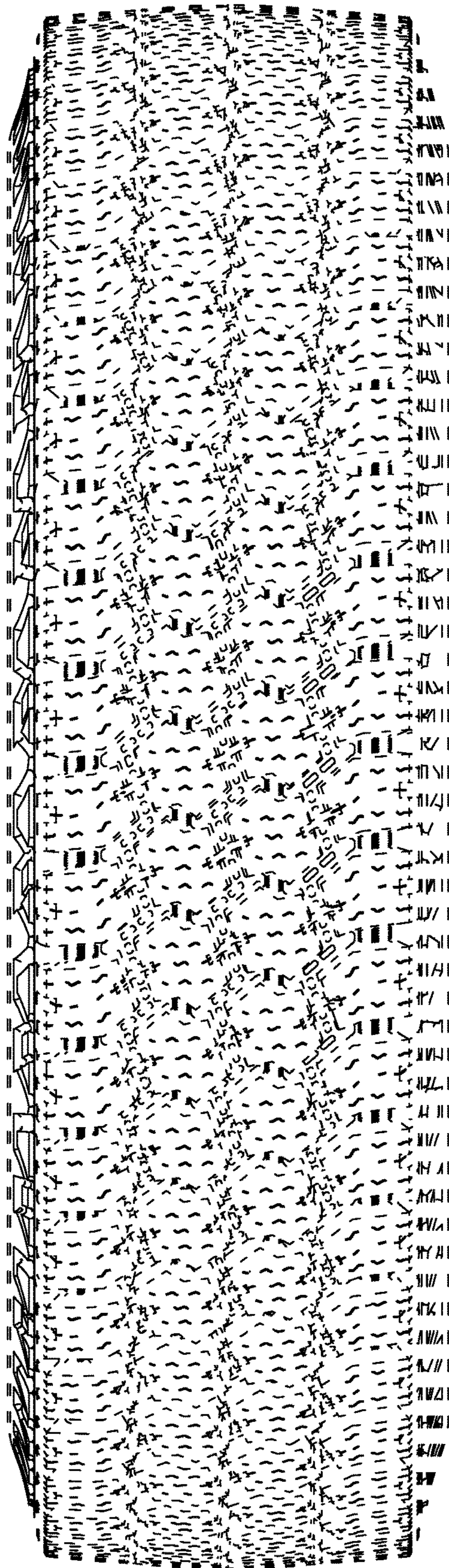


FIG. 3

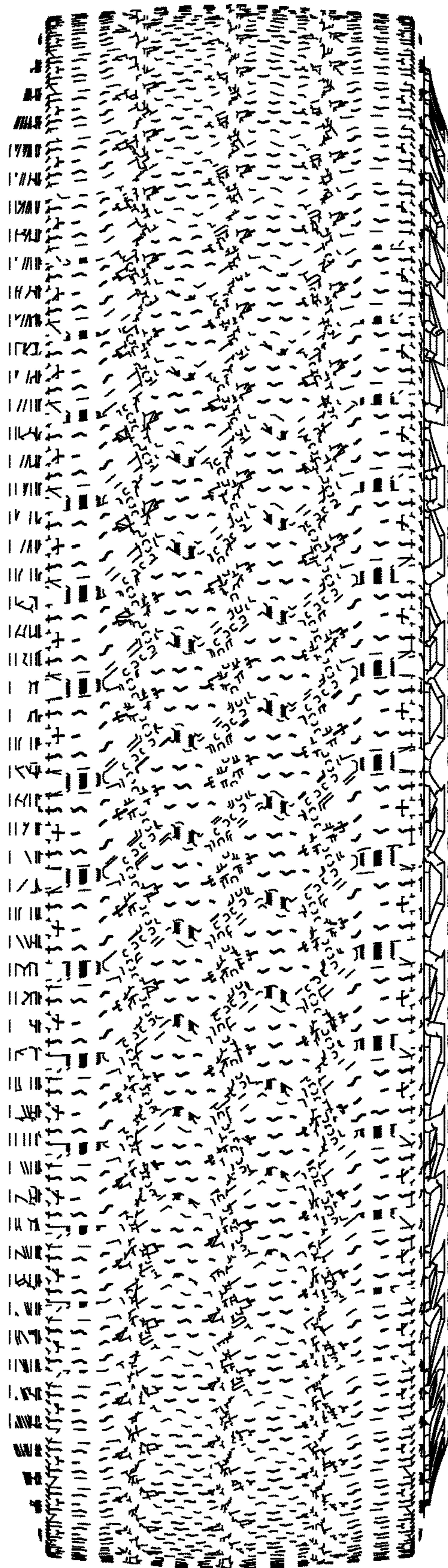


FIG. 4



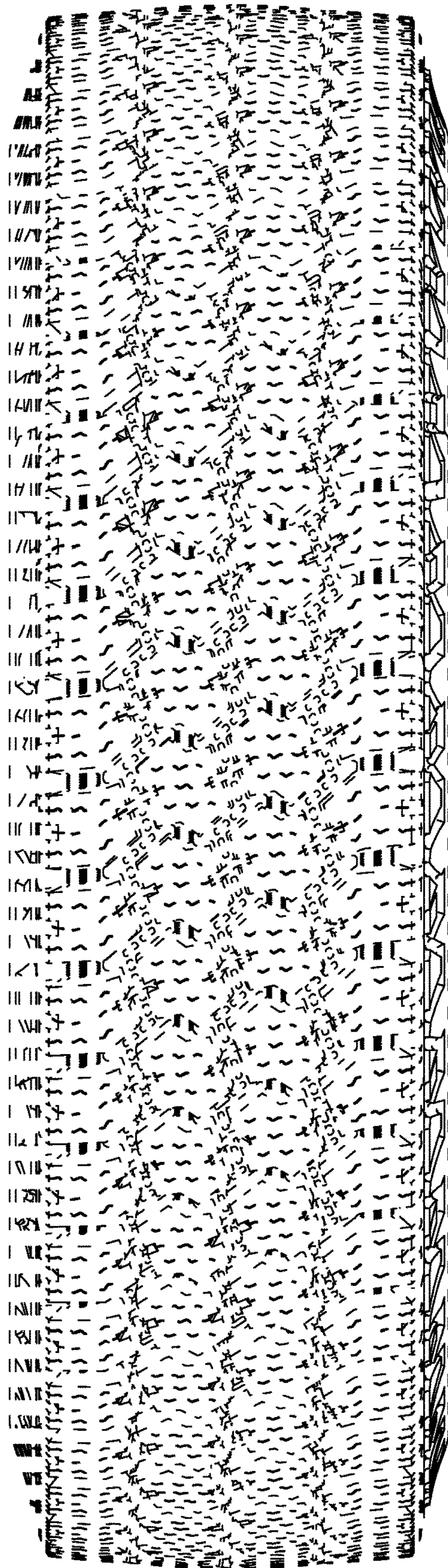


FIG. 5

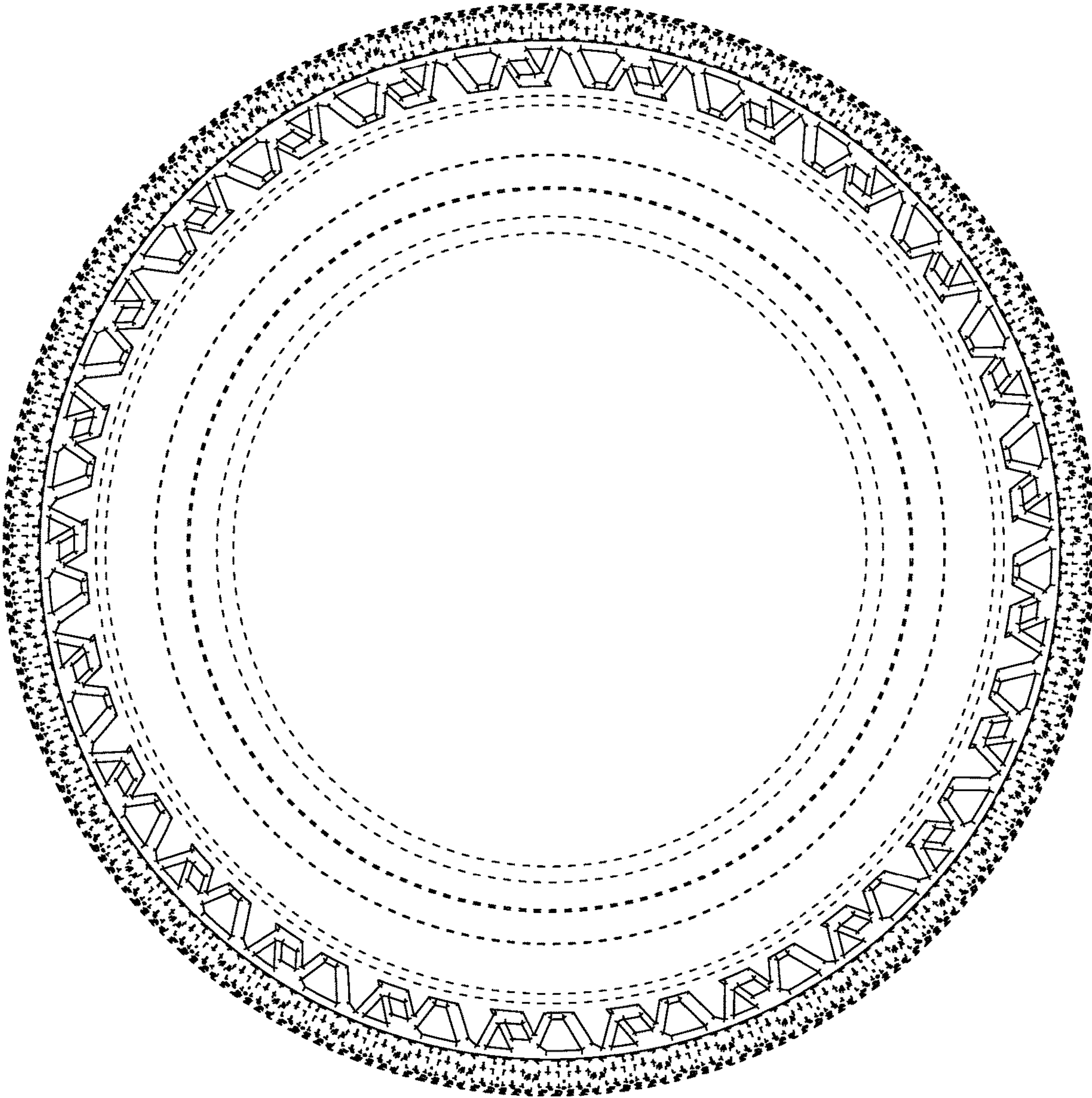


FIG. 6



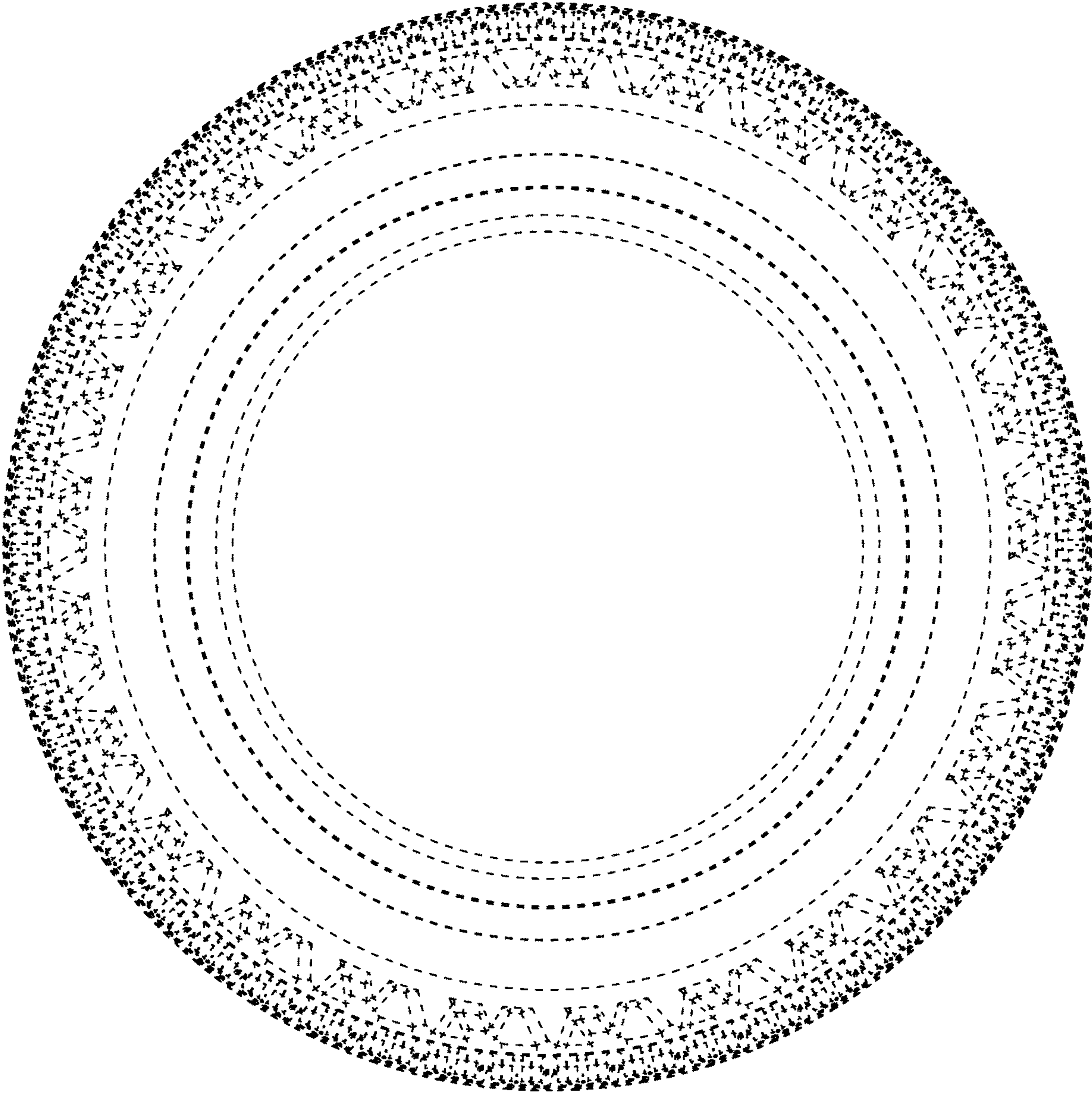


FIG. 7

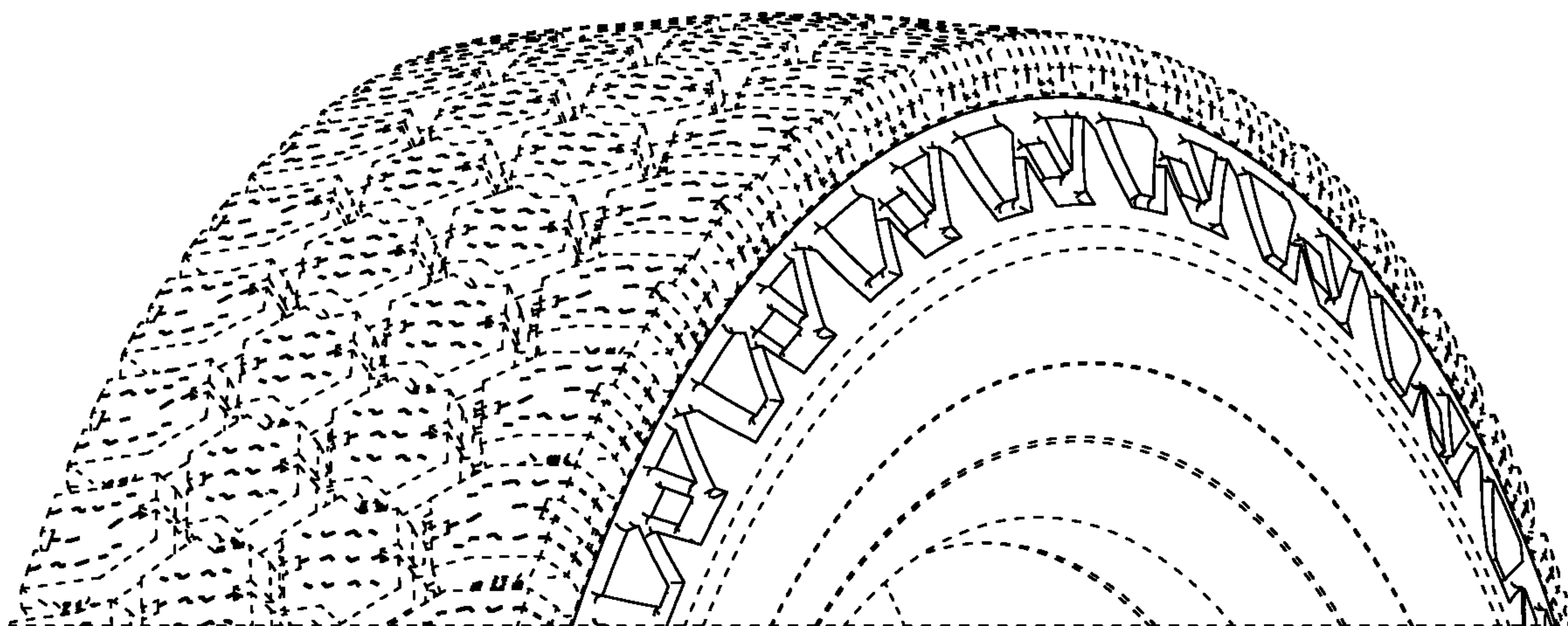


FIG. 8



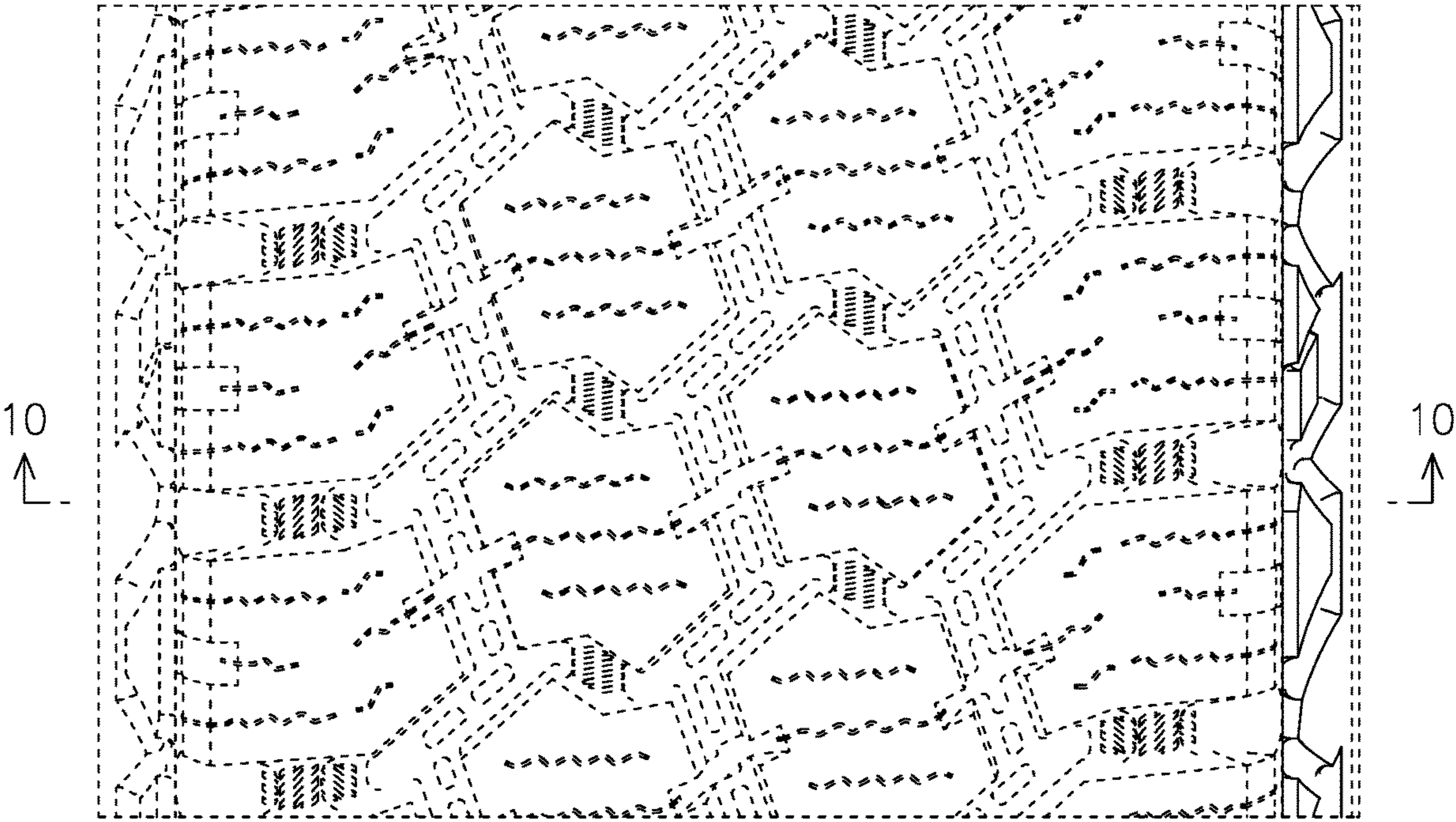


FIG. 9

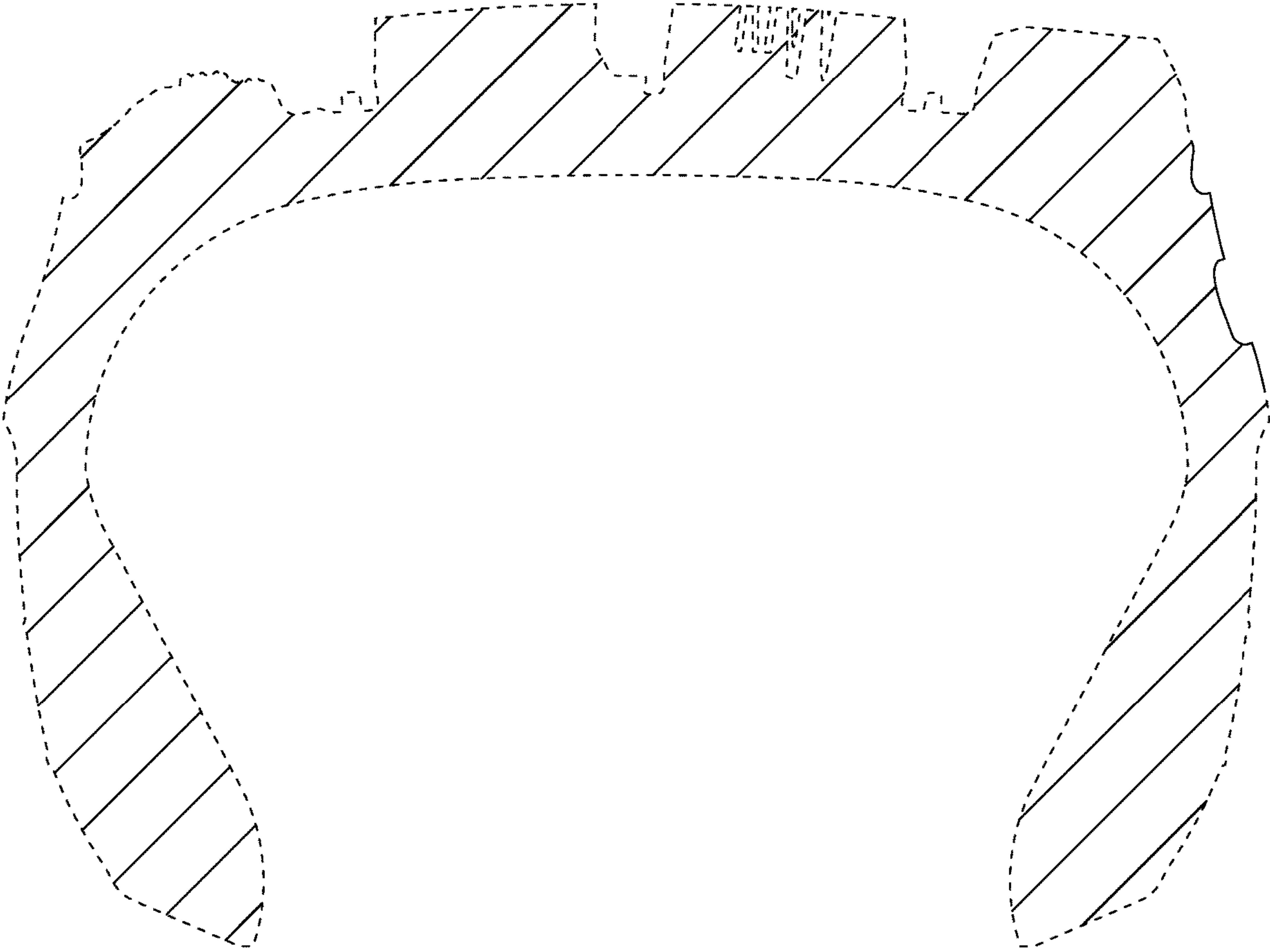


FIG. 10