

US00D937757S

(12) **United States Design Patent**
Giampaolo et al.

(10) **Patent No.:** **US D937,757 S**

(45) **Date of Patent:** **** Dec. 7, 2021**

- (54) **TIRE**
- (71) Applicant: **Bridgestone Americas Tire Operations, LLC**, Nashville, TN (US)
- (72) Inventors: **Domenic Giampaolo**, Broadview Heights, OH (US); **Justin M. Gehres**, Uniontown, OH (US); **Jean-Yea Chen**, Hudson, OH (US)
- (73) Assignee: **Bridgestone Americas Tire Operations, LLC**, Nashville, TN (US)
- (**) Term: **15 Years**

- D554,055 S 10/2007 Beauguitte
- D561,682 S 2/2008 Ohki
- D569,334 S 5/2008 Maziarka
- D598,365 S 8/2009 Tagashira
- D611,893 S 3/2010 Iwabuchi
- D620,430 S 7/2010 Gillard
- D627,713 S 11/2010 Le
- D639,235 S 6/2011 Reim
- D640,626 S 6/2011 Metzger
- D641,313 S 7/2011 Metzger
- D670,236 S 11/2012 Drake
- D673,899 S 1/2013 Uphouse
- D674,741 S 1/2013 Mathonet
- D674,743 S 1/2013 Uphouse
- D708,119 S 7/2014 Le
- D712,819 S 9/2014 Yamakawa
- D715,217 S 10/2014 Dixon
- D734,713 S 7/2015 Maehara

(Continued)

(21) Appl. No.: **29/722,133**

(22) Filed: **Jan. 27, 2020**

(51) **LOC (13) Cl.** **12-15**

(52) **U.S. Cl.**
USPC **D12/604**

(58) **Field of Classification Search**
USPC D12/568-605, 900
CPC Y10T 152/10027; B60C 1/0016; B60C 11/0306; B60C 11/0302; B60C 3/06; B60C 9/17
See application file for complete search history.

(56) **References Cited**

U.S. PATENT DOCUMENTS

- D377,922 S 2/1997 Van Der Meer
- D390,515 S 2/1998 Godsey
- D414,147 S 9/1999 Matsuda
- D420,953 S 2/2000 Poling
- D421,584 S 3/2000 Lovell
- D458,584 S 6/2002 Young
- D465,763 S 11/2002 Umstot
- D484,092 S 12/2003 Okamoto
- D528,500 S 9/2006 Le
- 7,207,364 B2 4/2007 Hildebrand

Primary Examiner — John A Voytek

(74) *Attorney, Agent, or Firm* — Shaun J. Fox

(57) **CLAIM**

The ornamental design for a tire, as shown and described.

DESCRIPTION

FIG. 1 is a side perspective view of a tire showing our new design, it being understood that the tread pattern is repeated throughout the circumference of the tire;

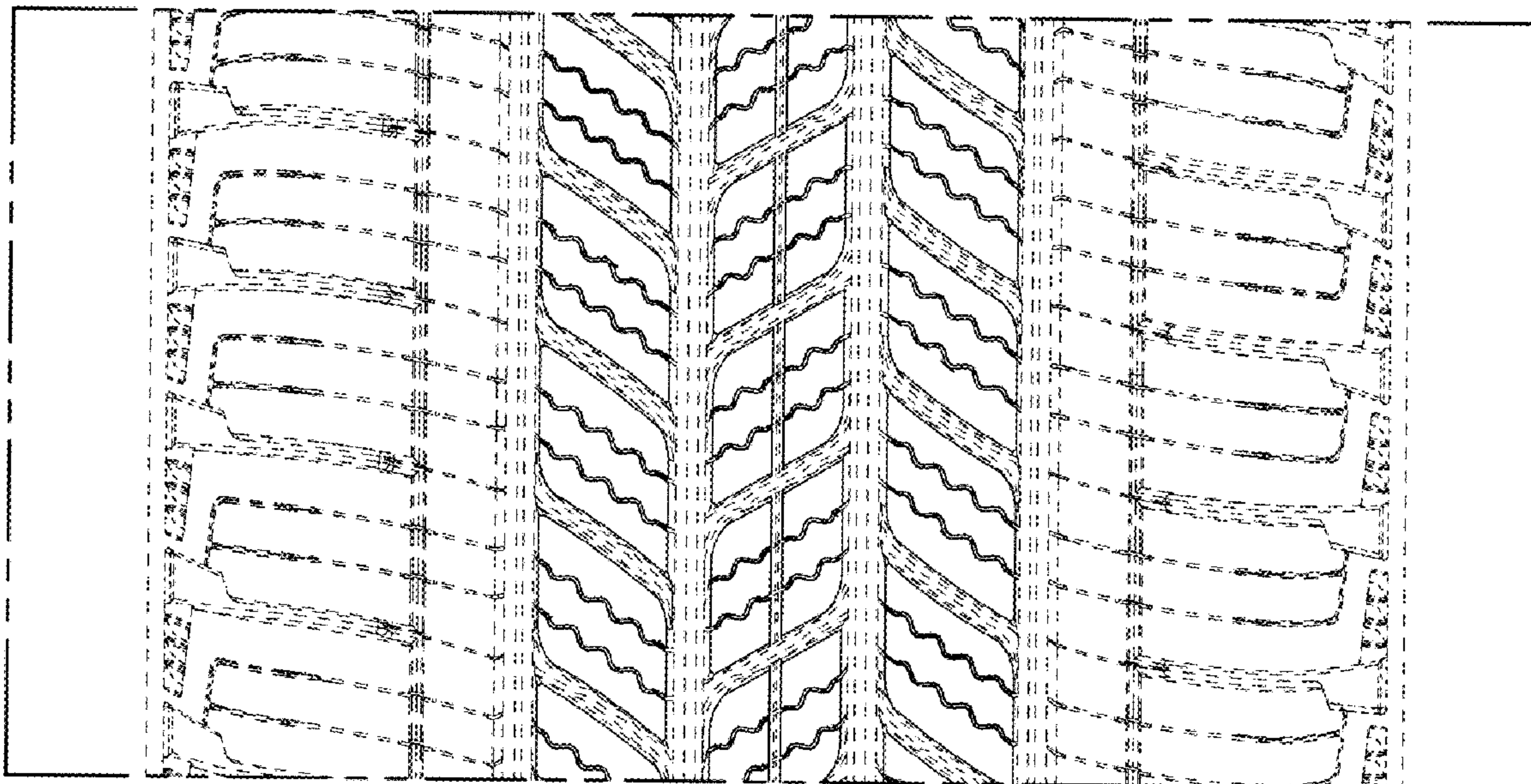
FIG. 2 is a front elevational view thereof; it being understood that the tread pattern is repeated throughout the circumference of the tire;

FIG. 3 is a side elevational view of the left side thereof; FIG. 4 is a side elevational view of the right side thereof; and,

FIG. 5 is an enlarged fragmentary front elevational view thereof.

In the drawings, the broken lines depict environmental subject matter only and form no part of the claimed design.

1 Claim, 5 Drawing Sheets



(56)

References Cited

U.S. PATENT DOCUMENTS

| | | | | |
|--------------|------|---------|------------------|------------|
| D735,650 | S | 8/2015 | Bachtel | |
| D736,693 | S | 8/2015 | Wang | |
| D748,050 | S * | 1/2016 | Schuessler | D12/601 |
| D764,389 | S * | 8/2016 | Thieman | D12/601 |
| D811,993 | S * | 3/2018 | Petr | D12/595 |
| D813,148 | S * | 3/2018 | Umstot | D12/588 |
| D847,733 | S * | 5/2019 | Parr | D12/604 |
| D882,502 | S * | 4/2020 | Hiser | D12/595 |
| D882,505 | S * | 4/2020 | Maggelet | D12/601 |
| D882,506 | S * | 4/2020 | Maggelet | D12/601 |
| D883,907 | S * | 5/2020 | Nyun | D12/588 |
| D904,972 | S * | 12/2020 | Nyun | D12/588 |
| 2019/0160881 | A1 * | 5/2019 | Chen | B60C 11/12 |

* cited by examiner

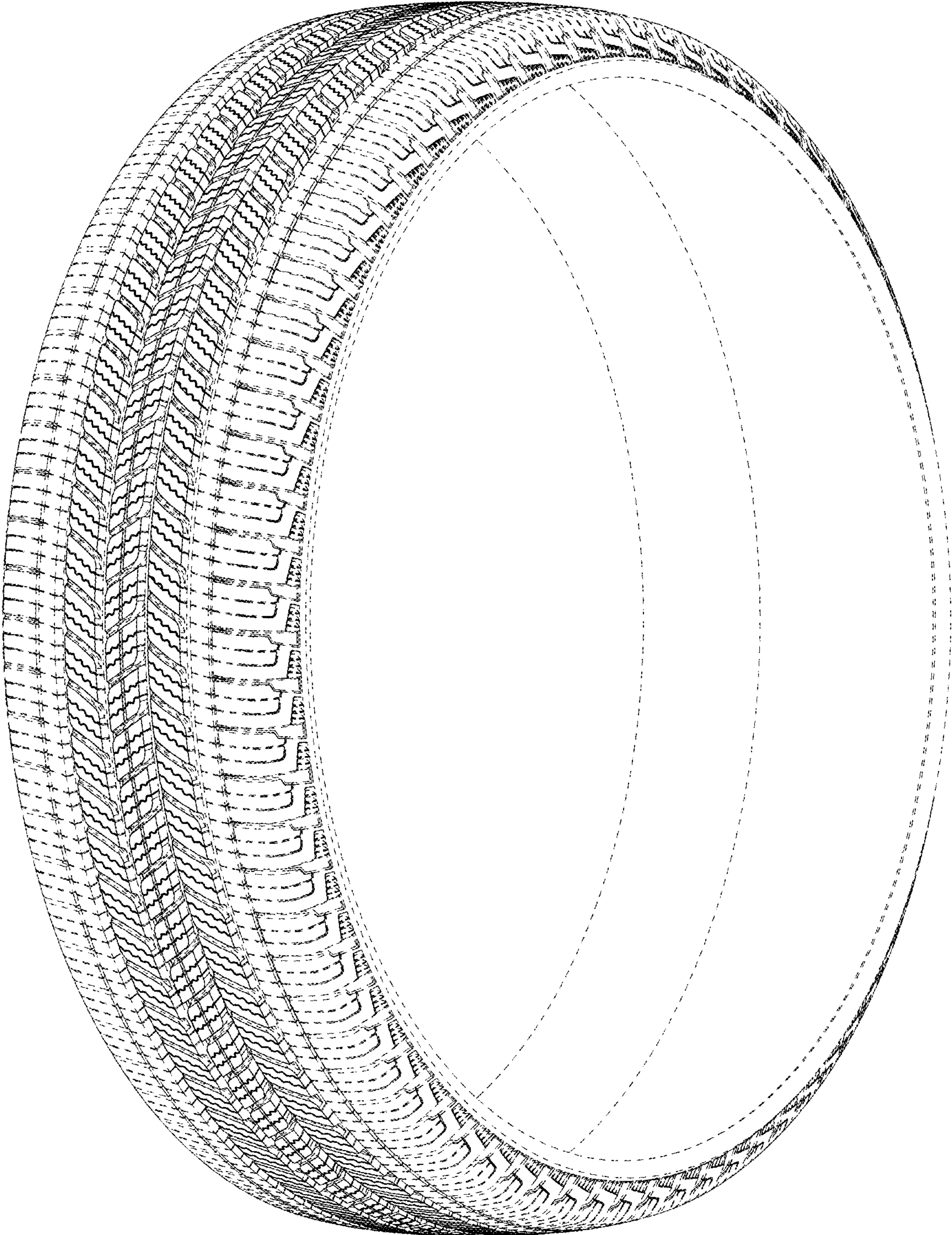


FIG. 1

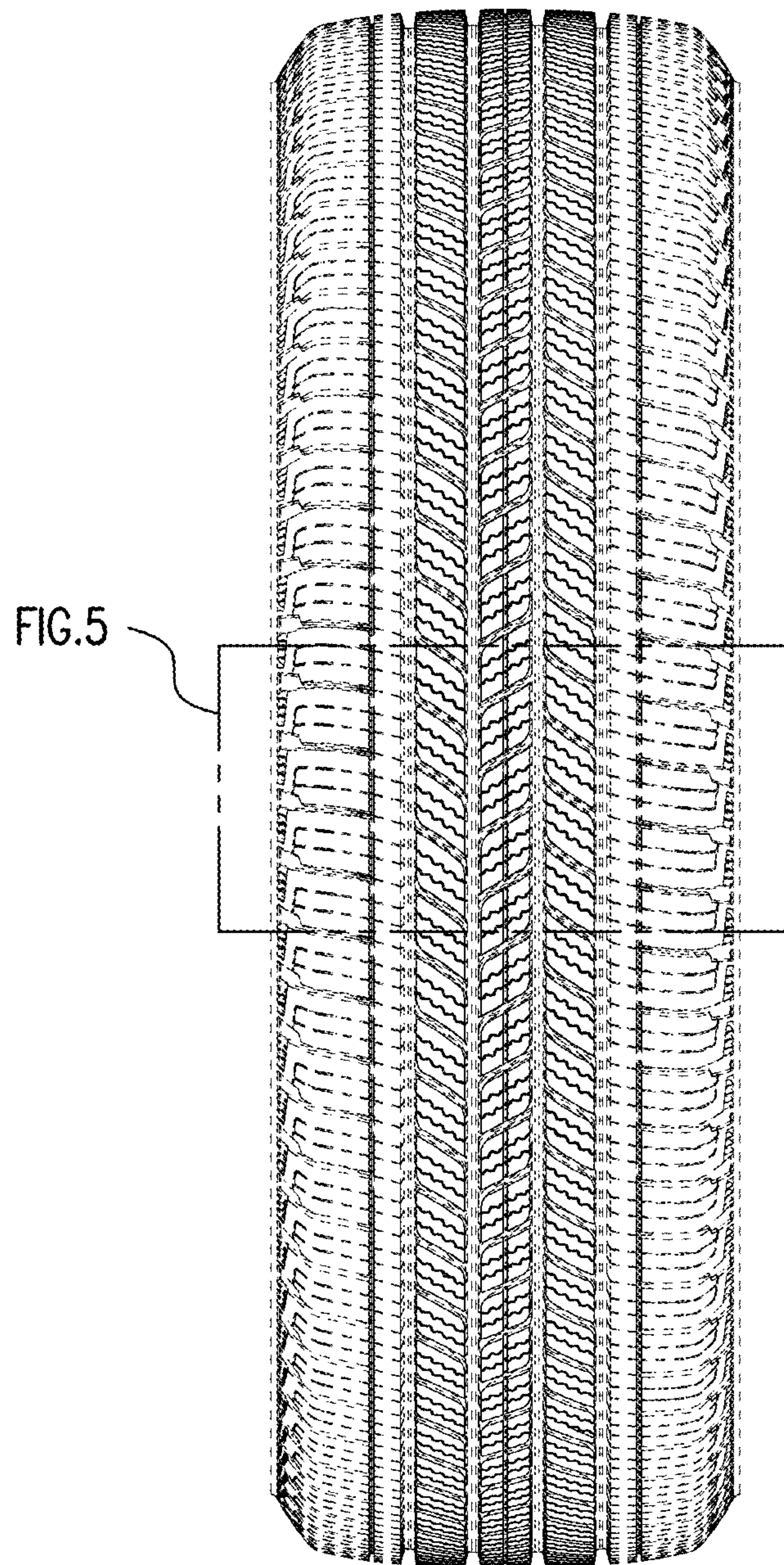


FIG. 2

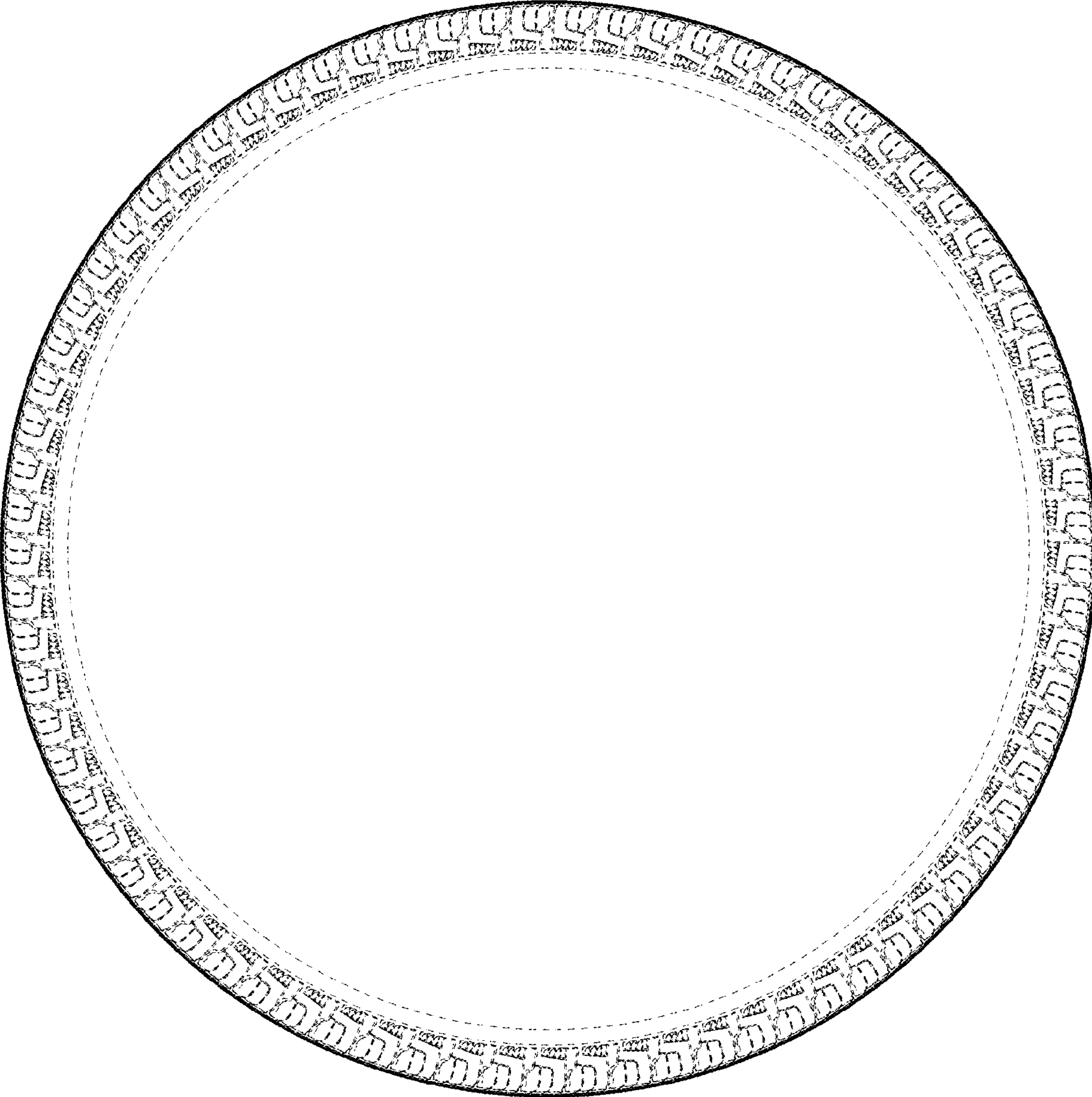


FIG. 3

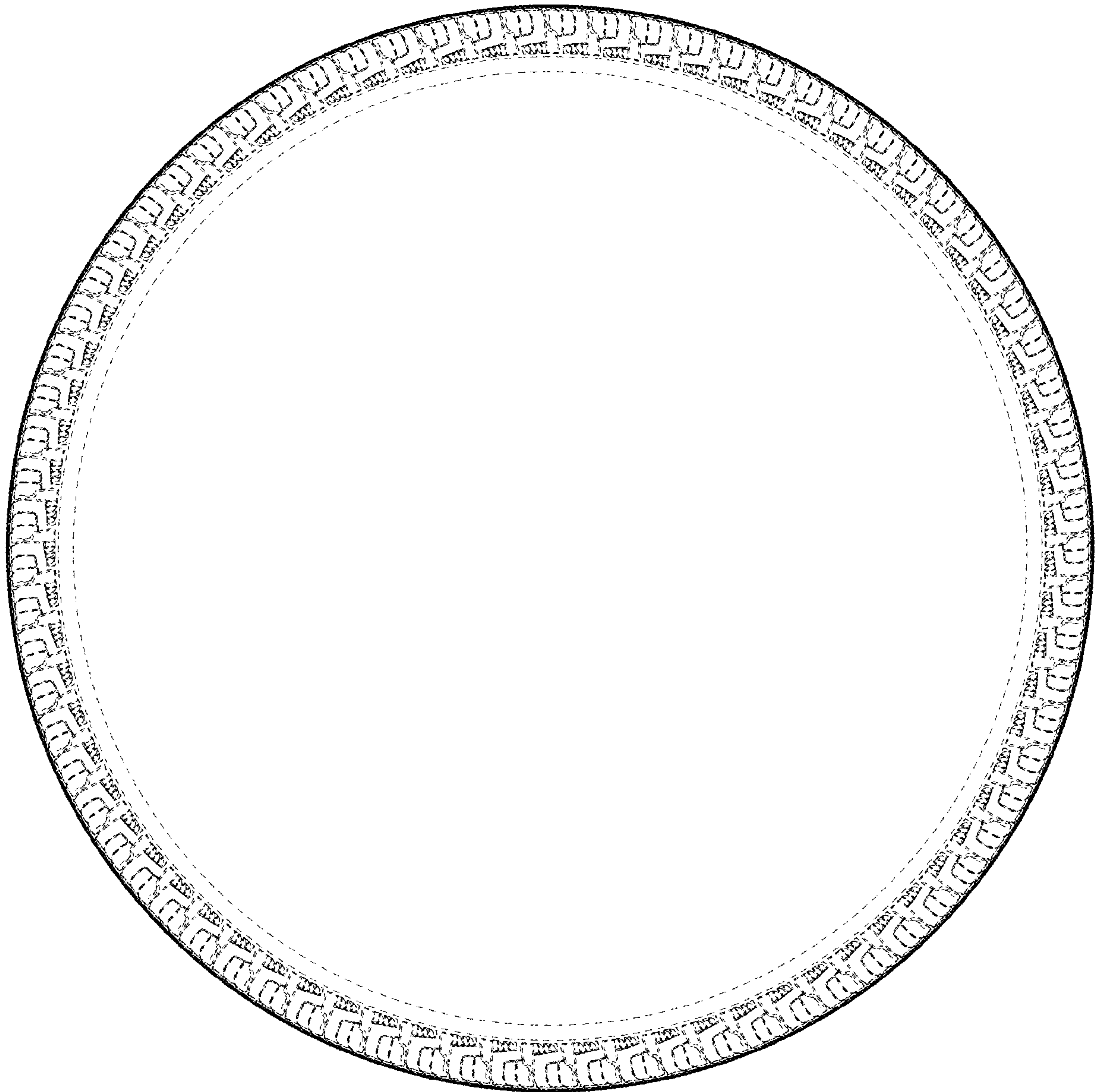


FIG.4

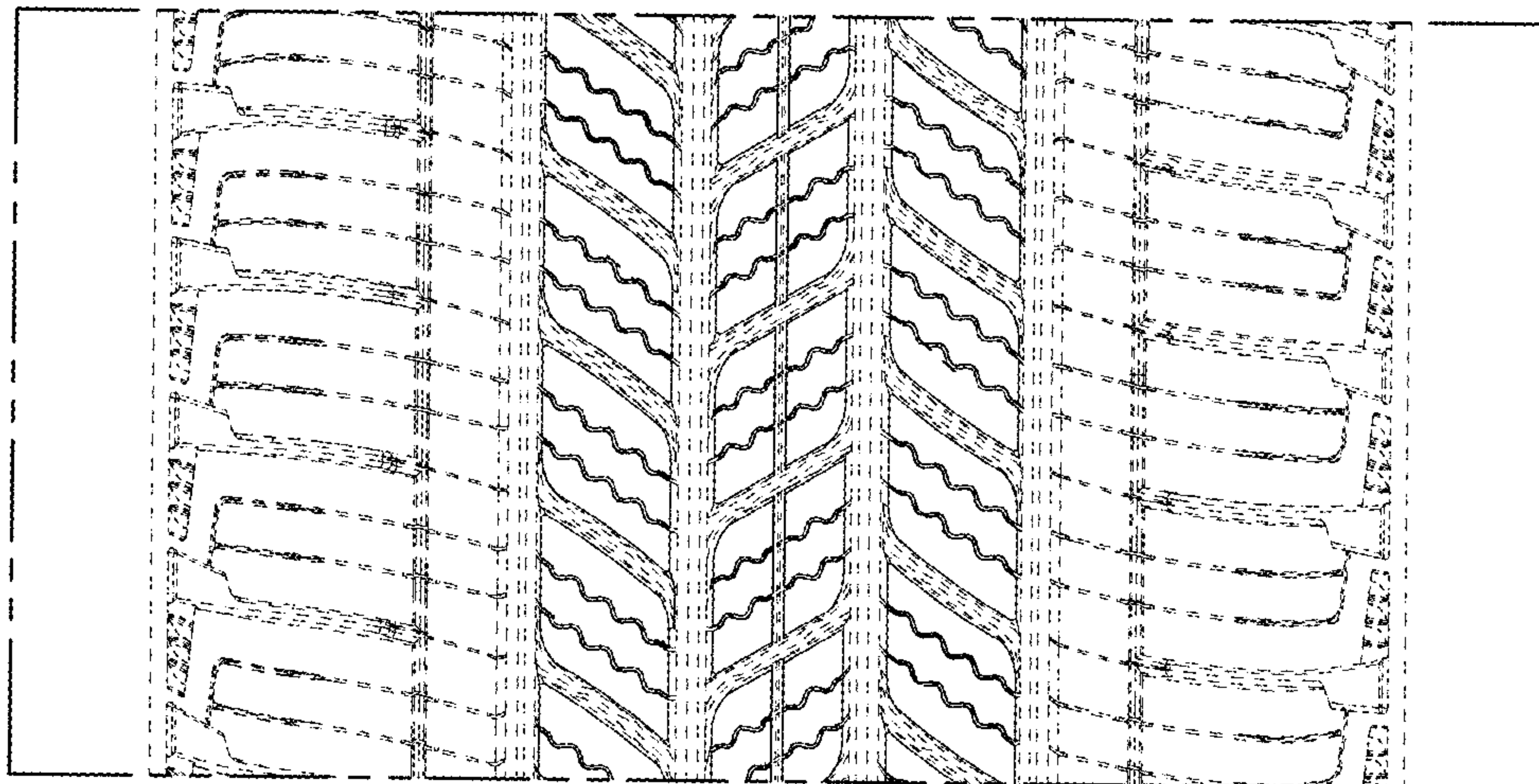


FIG.5