



US00D937755S

(12) **United States Design Patent**  
**Zhao**

(10) **Patent No.:** **US D937,755 S**

(45) **Date of Patent:** **\*\* Dec. 7, 2021**

(54) **TIRE TREAD**

(71) Applicant: **DCENTI TIRE, INC.**, Irwindale, CA (US)

(72) Inventor: **John Zhao**, Monterey Park, CA (US)

(73) Assignee: **Dcenti Tire, Inc.**, Baldwin Park, CA (US)

(\*\*) Term: **15 Years**

(21) Appl. No.: **29/720,028**

(22) Filed: **Jan. 9, 2020**

(51) **LOC (13) Cl.** ..... **12-15**

(52) **U.S. Cl.**  
USPC ..... **D12/579**

(58) **Field of Classification Search**  
USPC ..... D12/568-605, 900  
CPC ..... Y10T 152/10027; B60C 1/0016; B60C 11/0306; B60C 11/0302; B60C 3/06; B60C 9/17  
See application file for complete search history.

(56) **References Cited**

**U.S. PATENT DOCUMENTS**

D397,652 S *	9/1998	Le	.....	D12/602
D420,954 S *	2/2000	Rodicq	.....	D12/602
D420,956 S *	2/2000	Rodicq	.....	D12/602

D443,234 S *	6/2001	Labbe	.....	D12/602
D444,432 S *	7/2001	Warchol	.....	D12/602
D458,586 S *	6/2002	Demagall	.....	D12/602
D630,999 S *	1/2011	Osaka	.....	D12/602
D638,352 S *	5/2011	Osaka	.....	D12/579
D754,593 S *	4/2016	Wang	.....	D12/602
D834,508 S *	11/2018	Wang	.....	D12/602
D845,223 S *	4/2019	Wang	.....	D12/596
D884,590 S *	5/2020	Zhang	.....	D12/596
D902,840 S *	11/2020	Zhao	.....	D12/596

\* cited by examiner

*Primary Examiner* — John A Voytek

(74) *Attorney, Agent, or Firm* — Payam Moradian

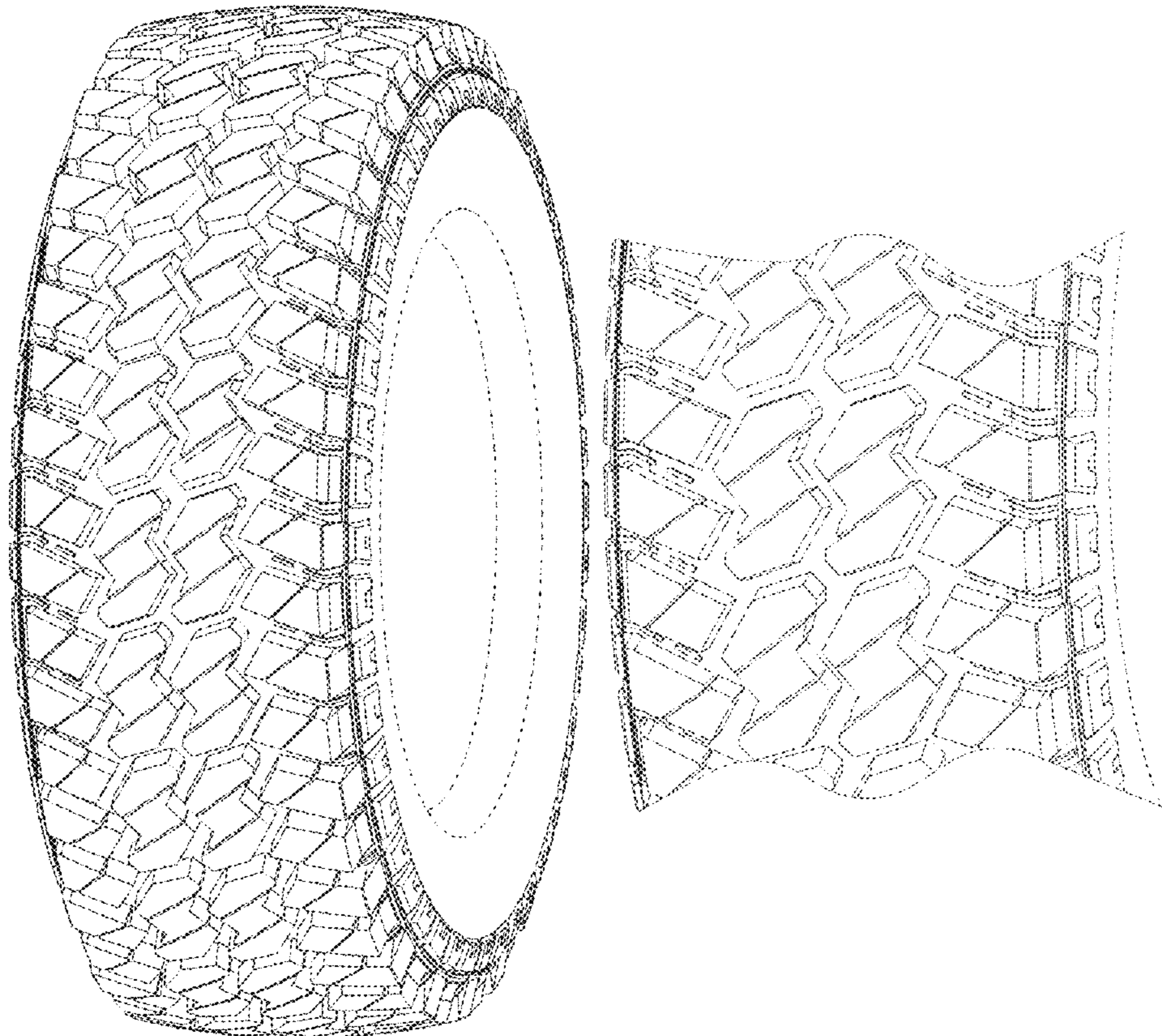
(57) **CLAIM**

I claim the ornamental design for a tire tread, as shown and described.

**DESCRIPTION**

FIG. 1 is a perspective view of a tire tread showing my new design;  
FIG. 2 is a front side view thereof;  
FIG. 3 is a rear side view thereof;  
FIG. 4 is a top side view thereof;  
FIG. 5 is a bottom side view thereof;  
FIG. 6 is left side view thereof;  
FIG. 7 is a right view thereof; and,  
FIG. 8 is a fragmentary enlarged view showing the details thereof.

**1 Claim, 8 Drawing Sheets**





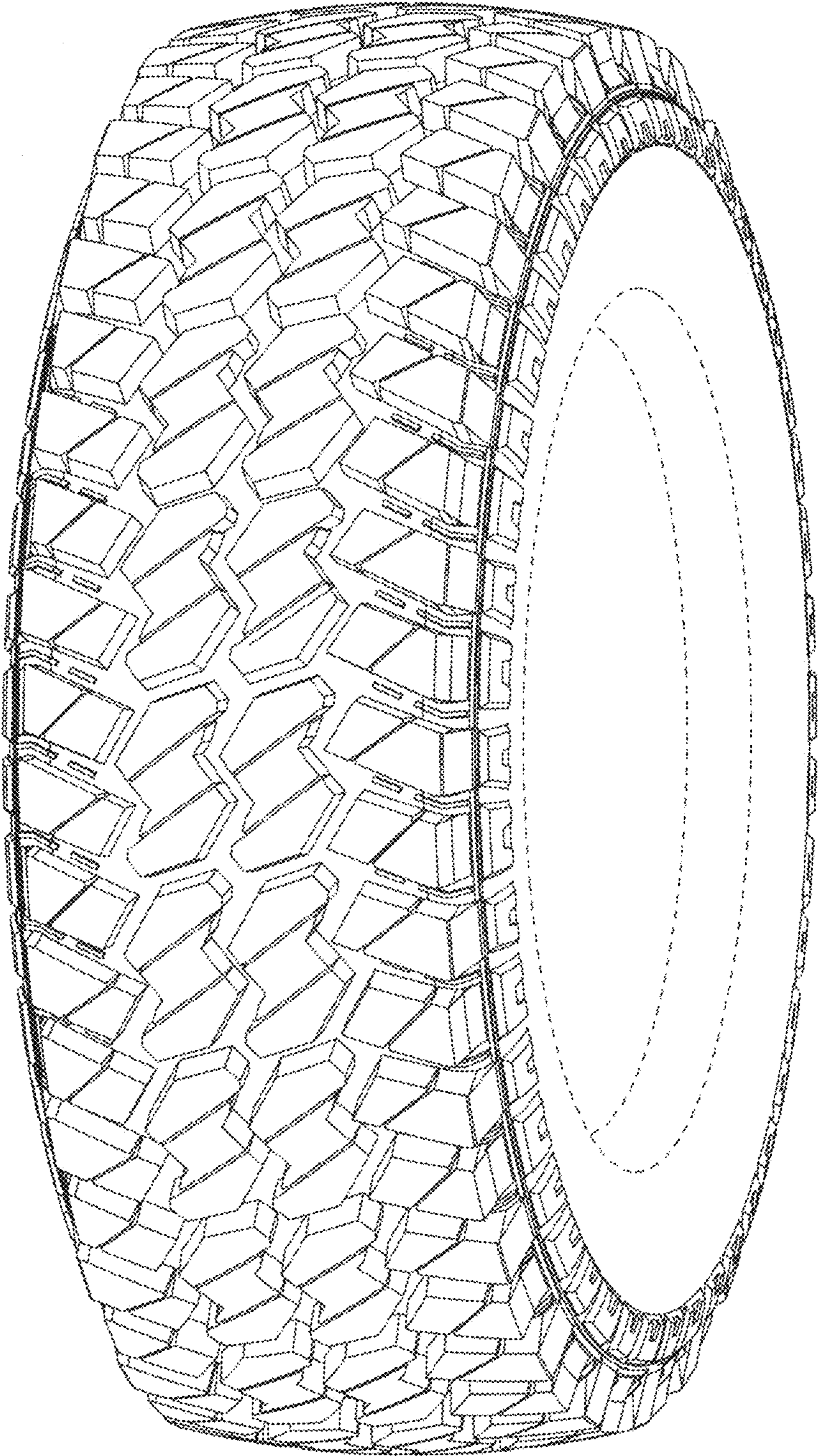


FIG. 1

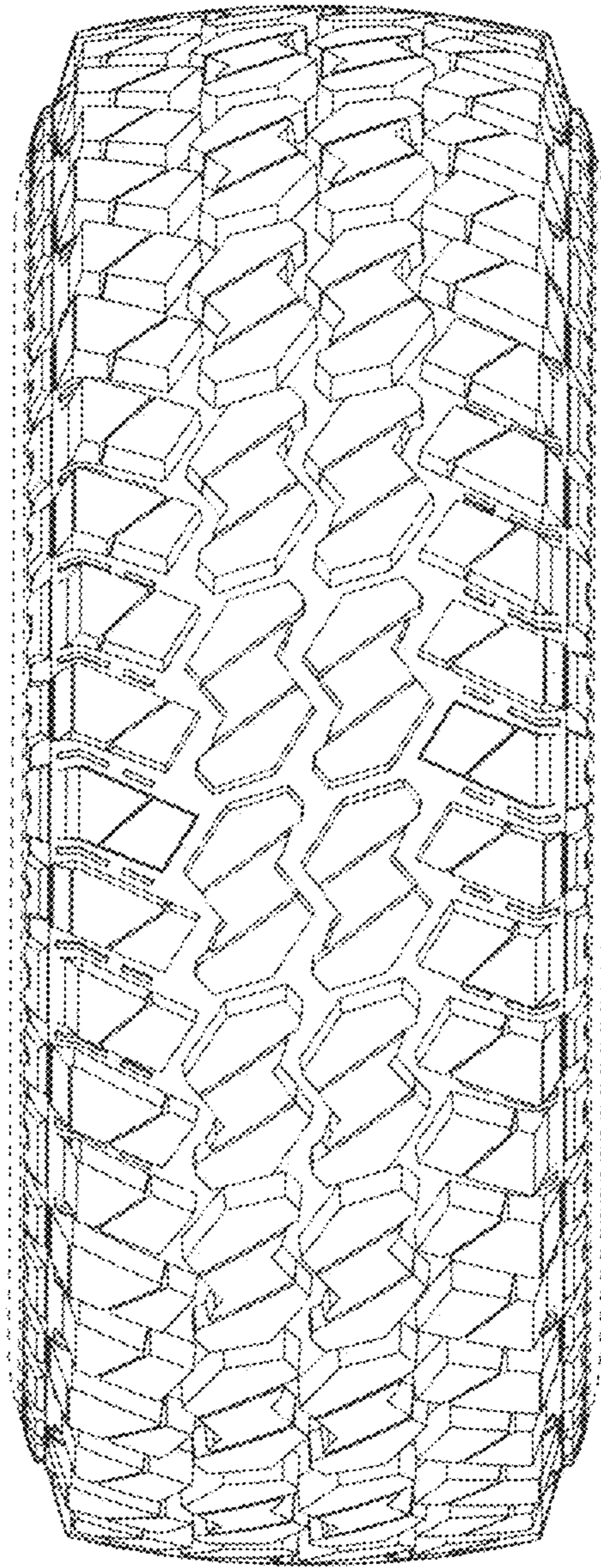


FIG. 2



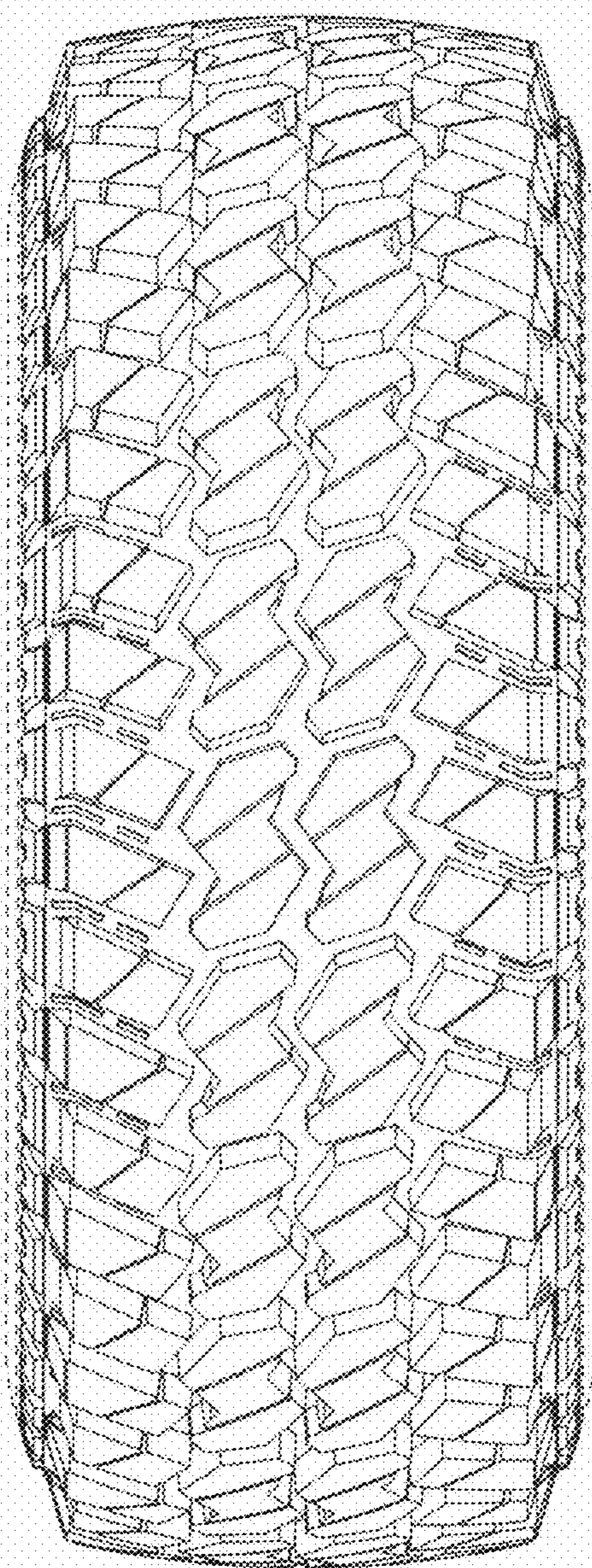


FIG. 3

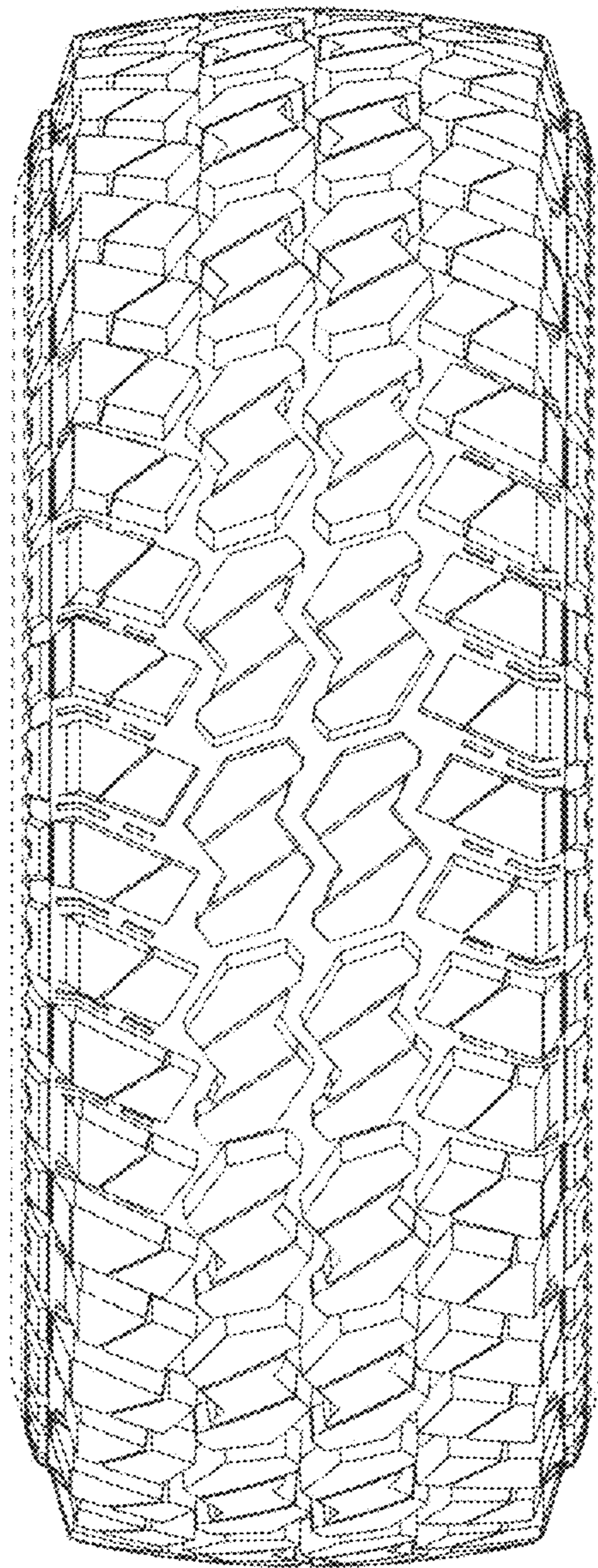


FIG. 4



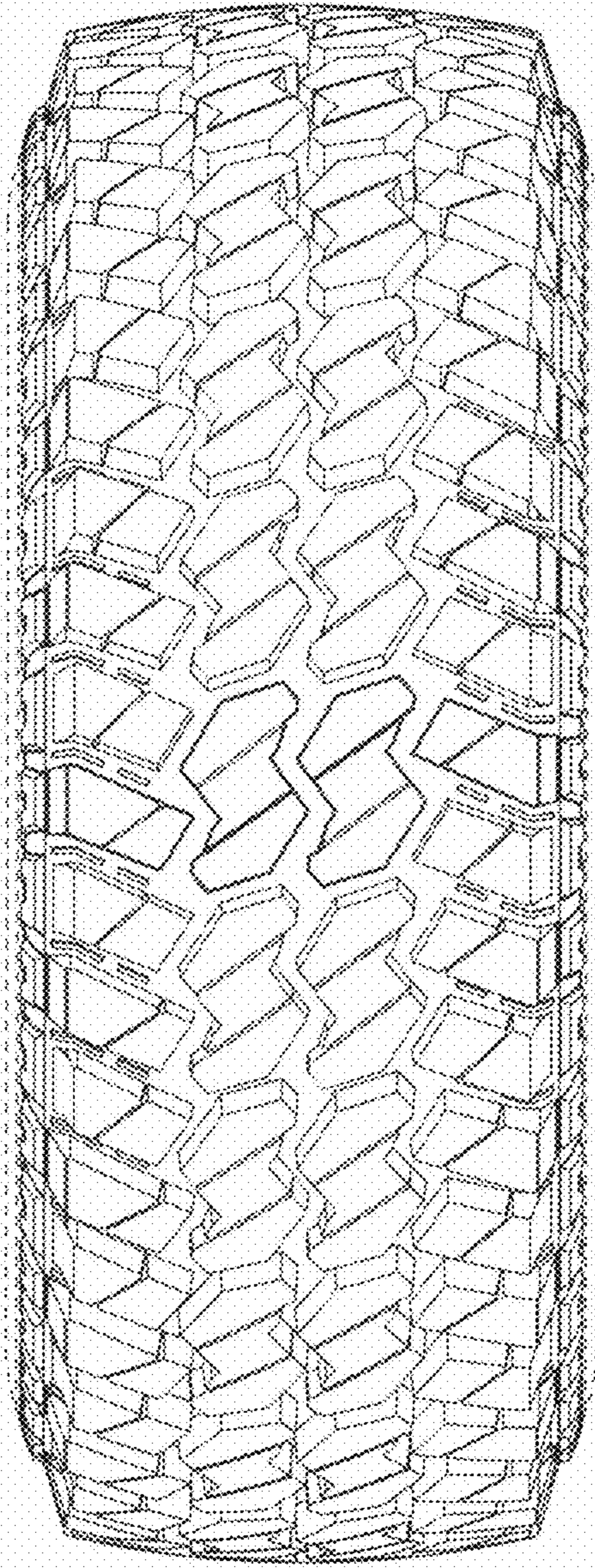


FIG. 5

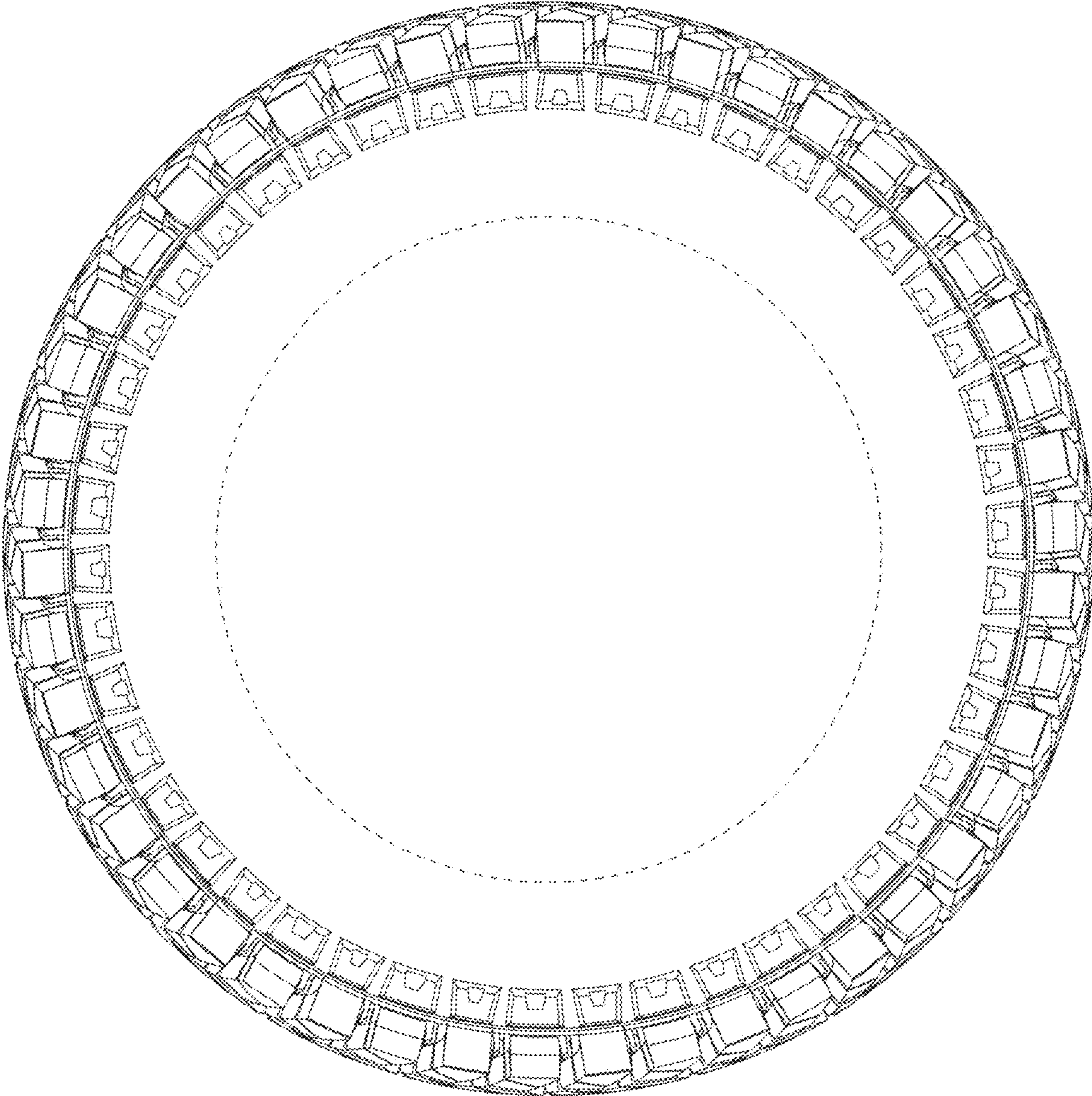


FIG. 6



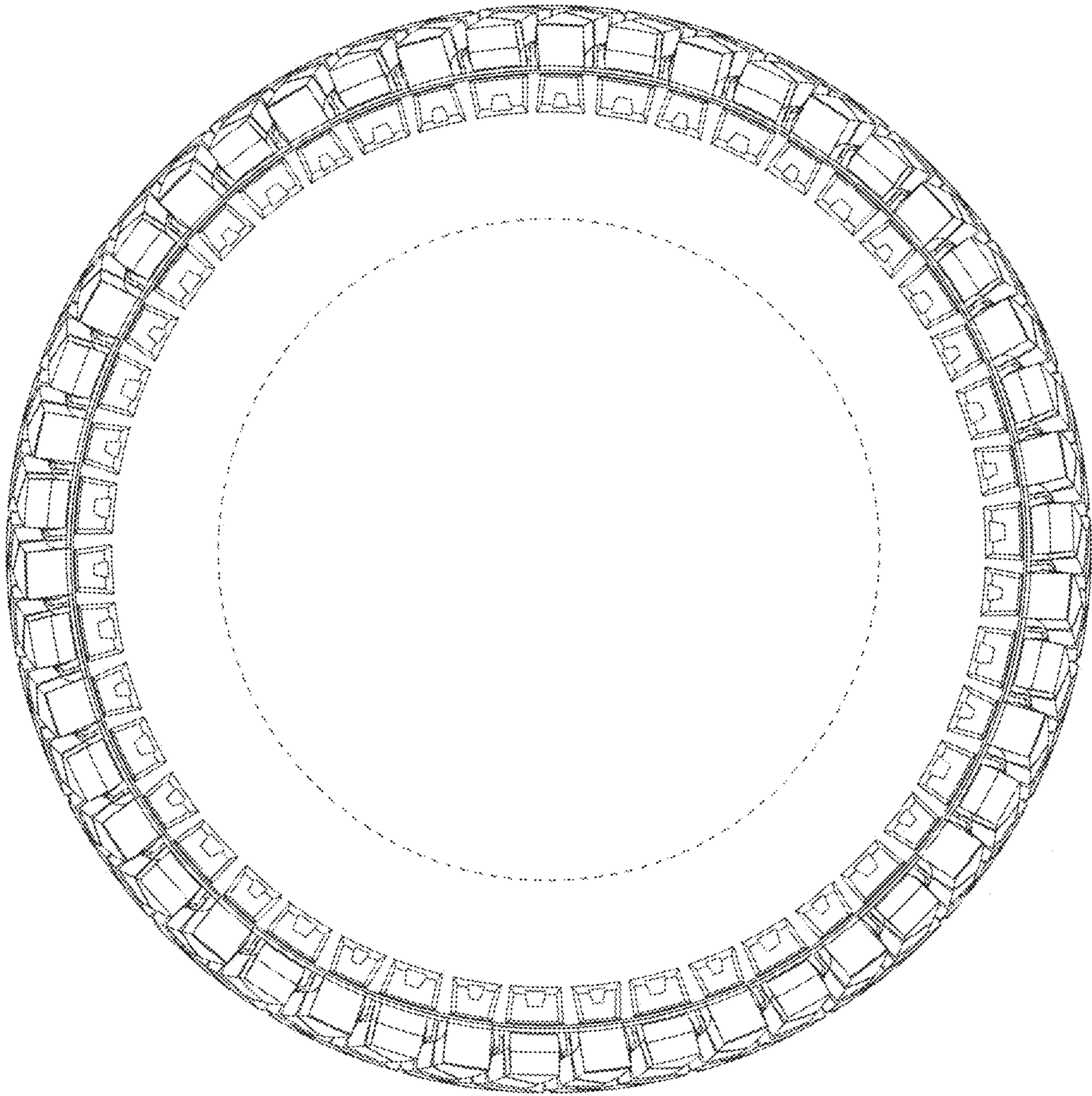


FIG. 7



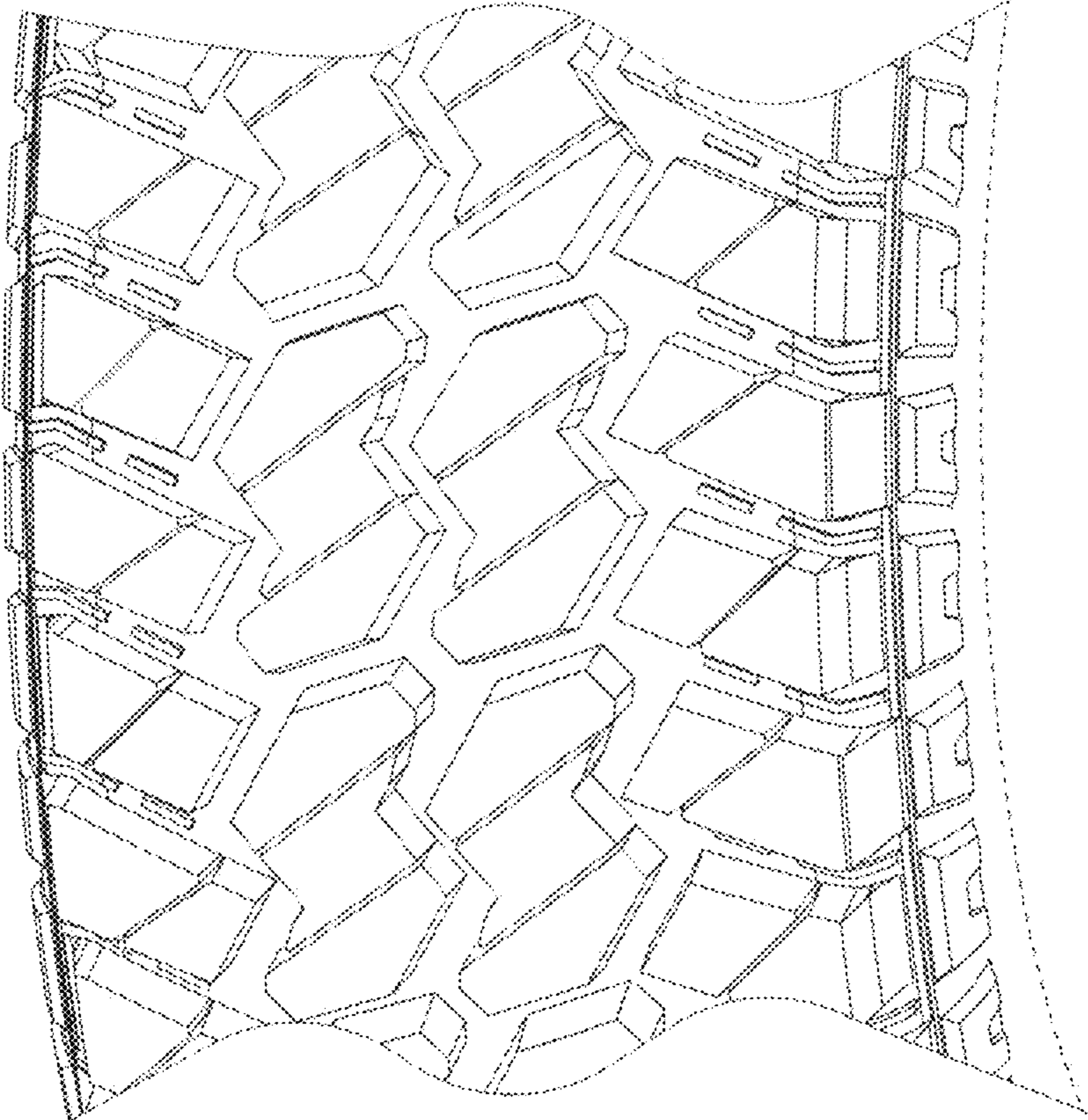


FIG. 8