



US00D937753S

(12) **United States Design Patent**  
**Foucher et al.**

(10) **Patent No.:** **US D937,753 S**

(45) **Date of Patent:** **\*\* Dec. 7, 2021**

(54) **AIRCRAFT SEAT COMPARTMENT WITH A CABINET INCLUDING A COCKTAIL TRAY WITH A LIGHT BELOW**

(71) Applicant: **SAFRAN SEATS**, Plaisir (FR)

(72) Inventors: **Benjamin Foucher**, Tours (FR); **José Bernardo De Morais**, Châteauroux (FR); **Bastien Bonnefoy**, Issoudun (FR); **Olivier Cazalis**, Déols (FR); **Laurent Ligonniere**, Issoudun (FR); **Quentin Munier**, Paris (FR)

(73) Assignee: **SAFRAN SEATS**, Plaisir (FR)

(\*\*) Term: **15 Years**

(21) Appl. No.: **29/707,492**

(22) Filed: **Sep. 27, 2019**

(30) **Foreign Application Priority Data**

Mar. 29, 2019 (CN) ..... 201930137736.7  
Mar. 29, 2019 (EP) ..... 006358156-0001

(51) **LOC (13) Cl.** ..... **12-16**

(52) **U.S. Cl.**  
USPC ..... **D12/416**

(58) **Field of Classification Search**  
USPC ..... D12/415-419, 423; D7/601-602, D7/605-607; D6/513, 514, 611, 553, D6/556, 559; D3/216, 217, 319  
CPC .. B60R 7/14; B60R 7/08; B65D 33/00; B64D 11/0636; B60N 3/004  
See application file for complete search history.

(56) **References Cited**

**U.S. PATENT DOCUMENTS**

D630,222 S \* 1/2011 Lin ..... D14/447  
D690,707 S \* 10/2013 Minn ..... B60R 11/0241  
D14/447

D712,394 S \* 9/2014 Booth ..... D14/253  
D726,640 S \* 4/2015 Frey ..... D12/415  
D734,242 S \* 7/2015 Presman ..... D12/416  
D735,112 S \* 7/2015 Deng ..... D12/415  
D757,705 S \* 5/2016 Esses ..... D14/251  
D765,581 S \* 9/2016 Pumphrey ..... D12/416  
D801,910 S \* 11/2017 Salisbury ..... D12/416  
D870,645 S \* 12/2019 Yang ..... D12/416  
D905,443 S \* 12/2020 Yang ..... D6/310  
D905,446 S \* 12/2020 Yang ..... D6/310  
D909,768 S \* 2/2021 Li ..... D6/300

\* cited by examiner

*Primary Examiner* — Katrina A Betton

(74) *Attorney, Agent, or Firm* — Im IP Law; Chai Im; C. Andrew Im

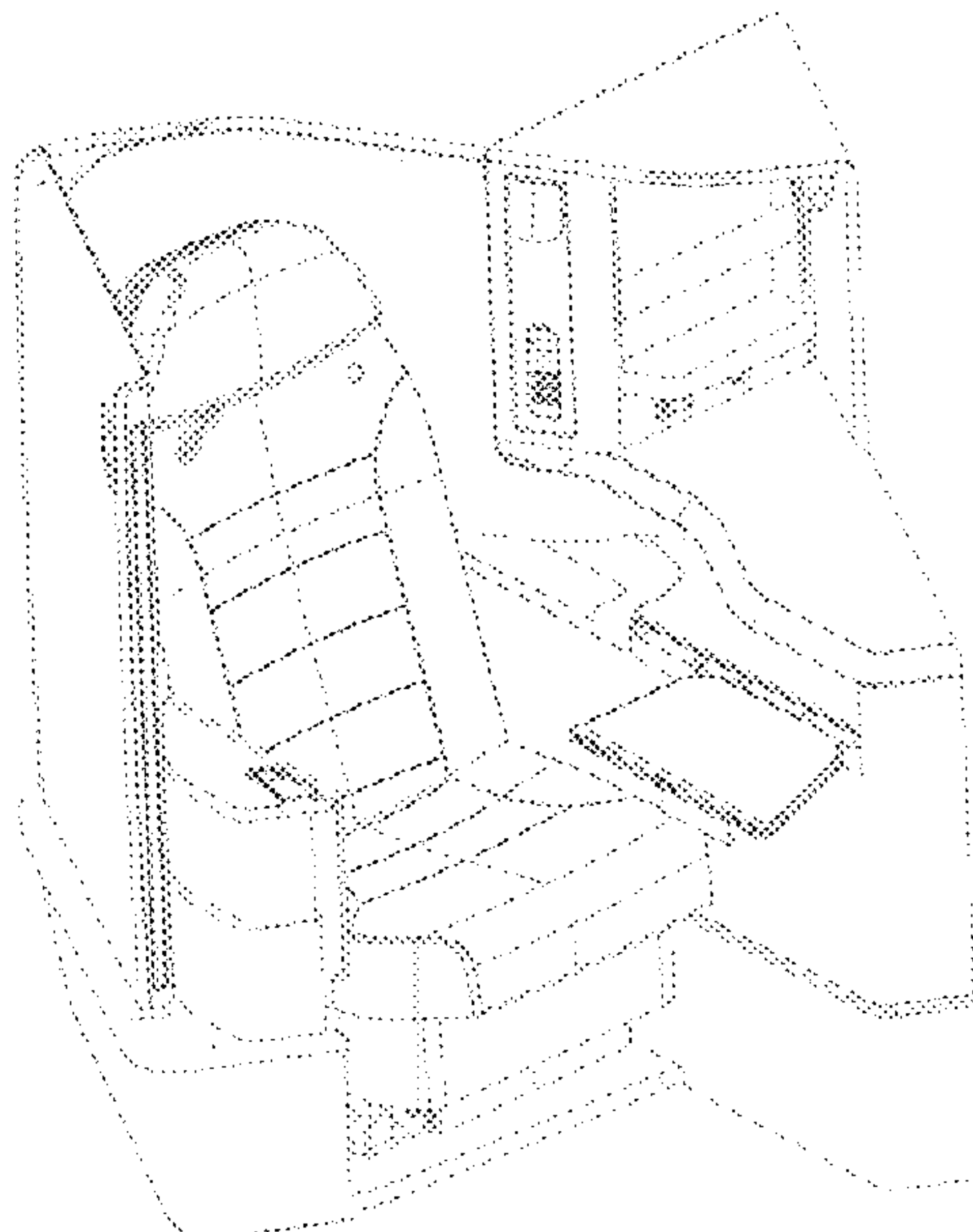
(57) **CLAIM**

The ornamental design for an aircraft seat compartment with a cabinet including a cocktail tray with a light below, as shown and described.

**DESCRIPTION**

FIG. 1 is a perspective view of an aircraft seat compartment with a cabinet including a cocktail tray with a light below showing my new design;  
FIG. 2 is a front view thereof;  
FIG. 3 is a left front perspective view thereof;  
FIG. 4 is a rear view thereof;  
FIG. 5 is a right-side view thereof;  
FIG. 6 is a left-side view thereof;  
FIG. 7 is a top view thereof; and,  
FIG. 8 is a bottom view thereof.

**1 Claim, 8 Drawing Sheets**



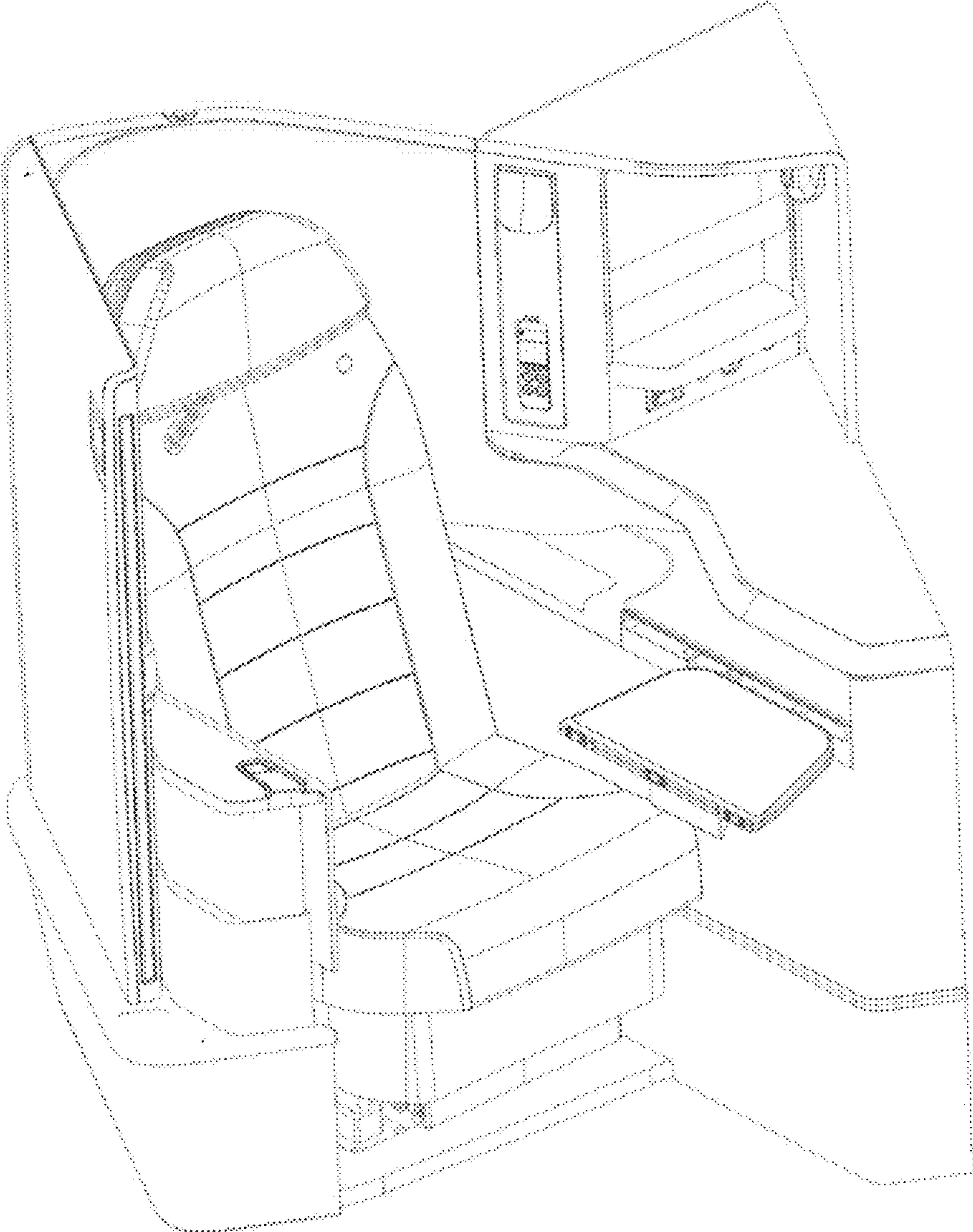


FIG. 1

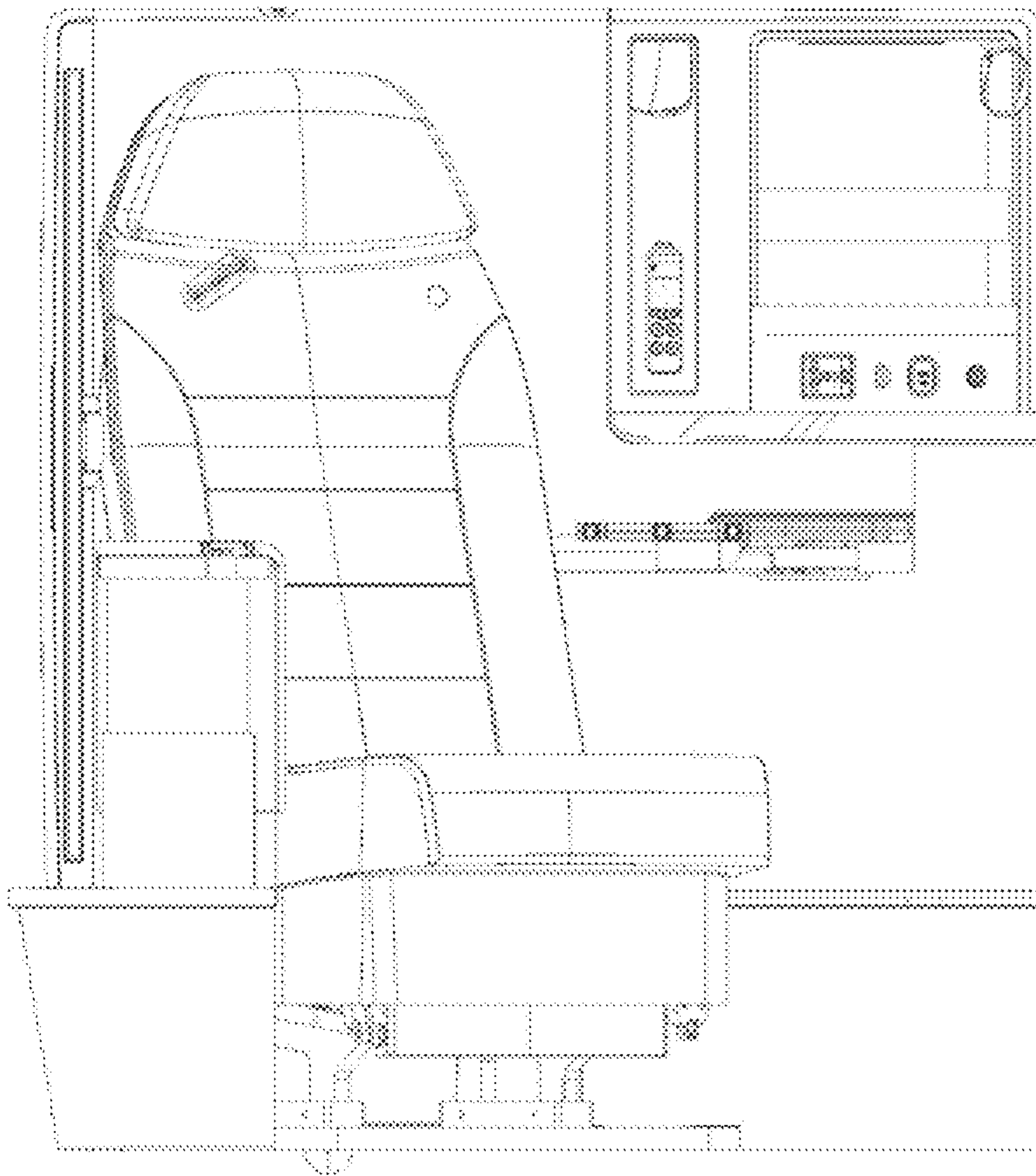


FIG. 2

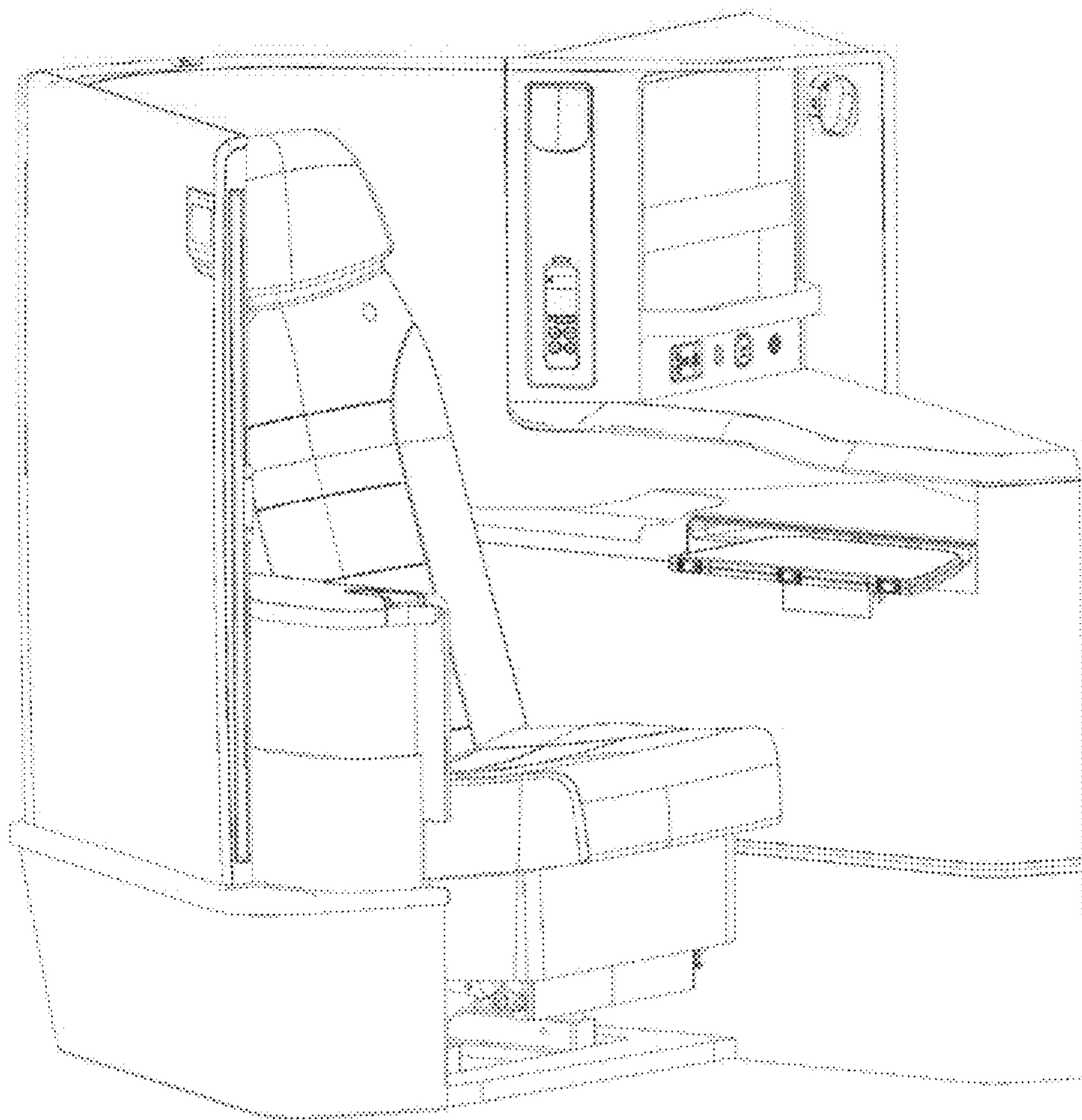


FIG. 3



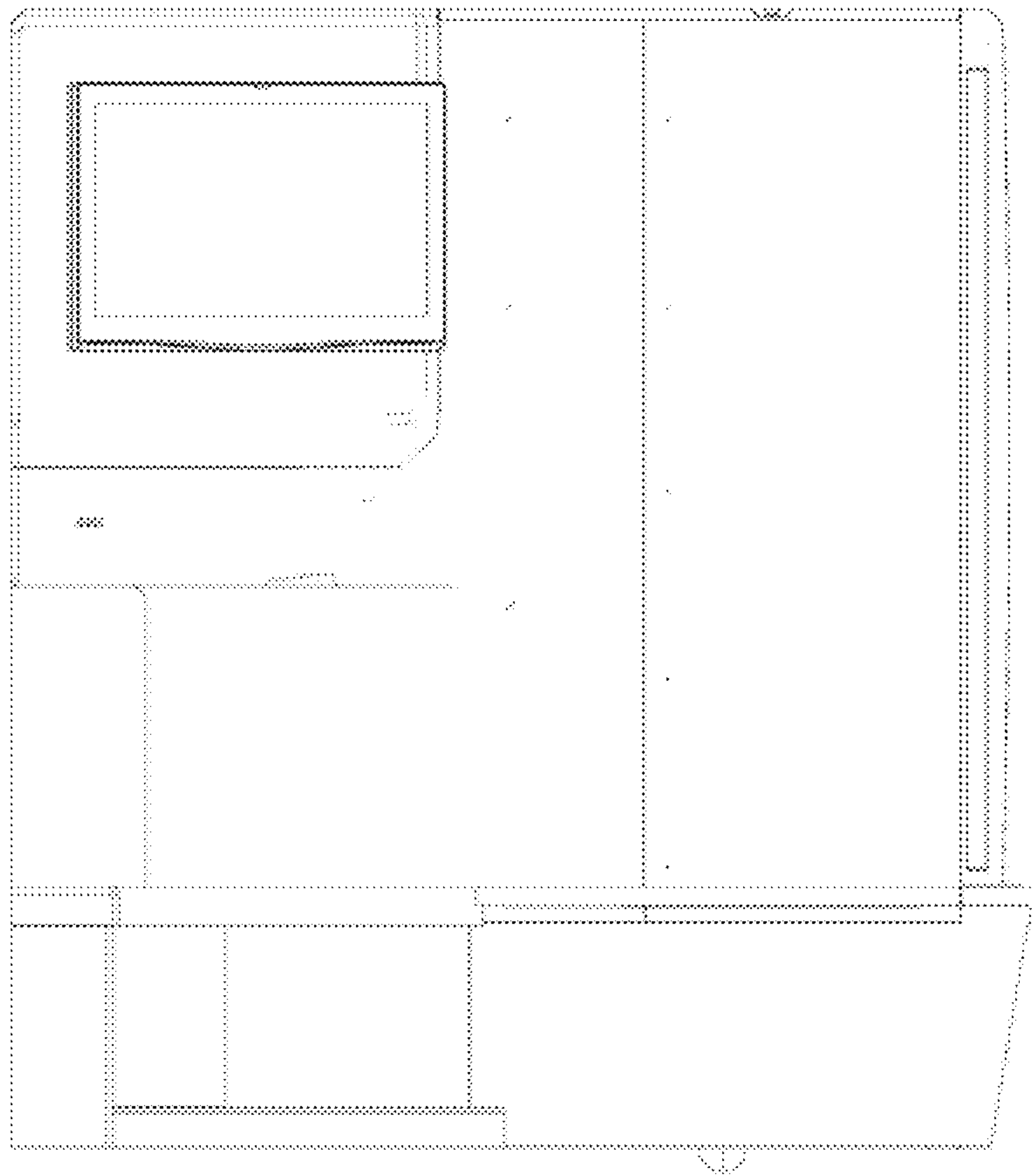


FIG. 4

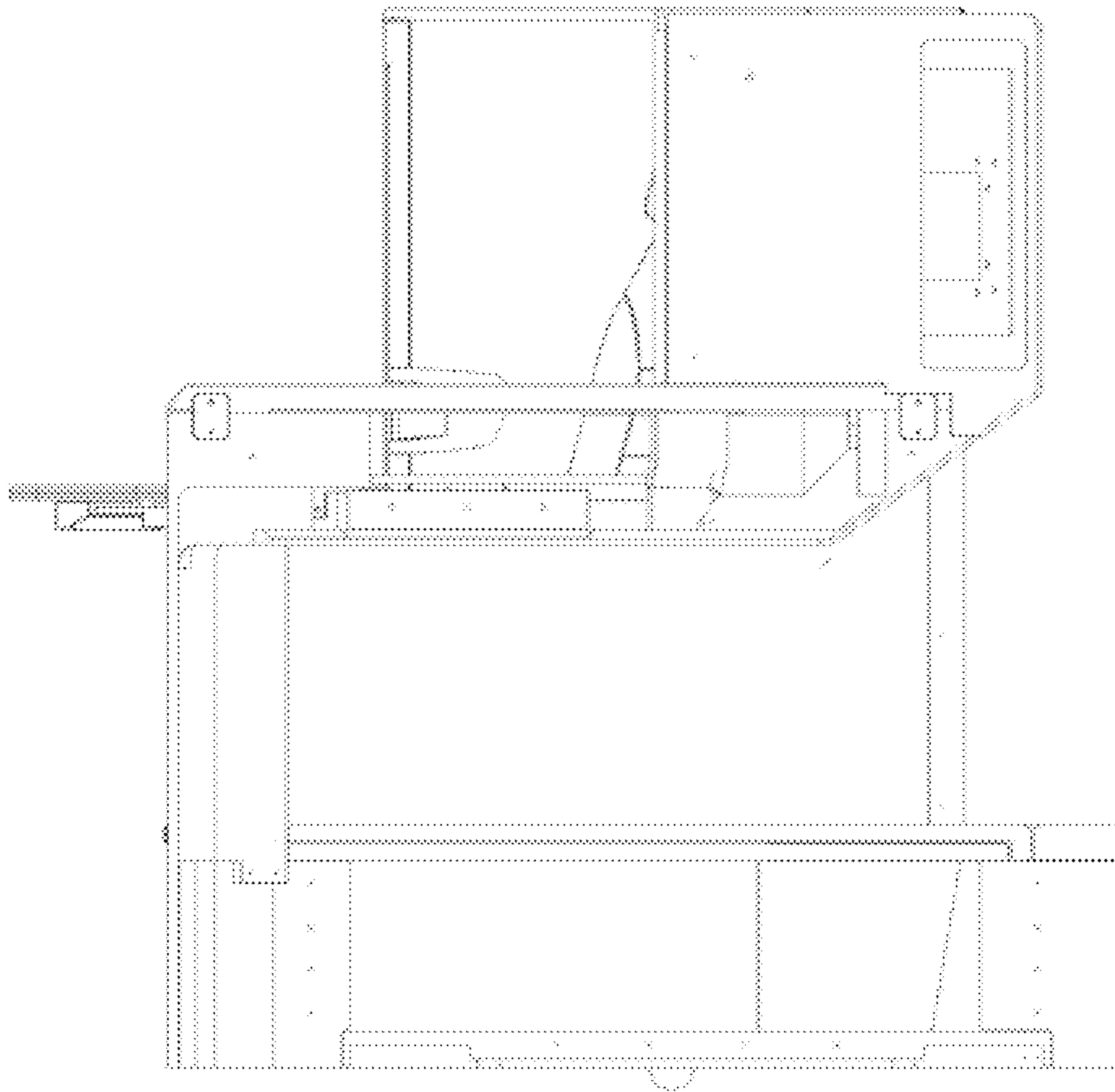


FIG. 5

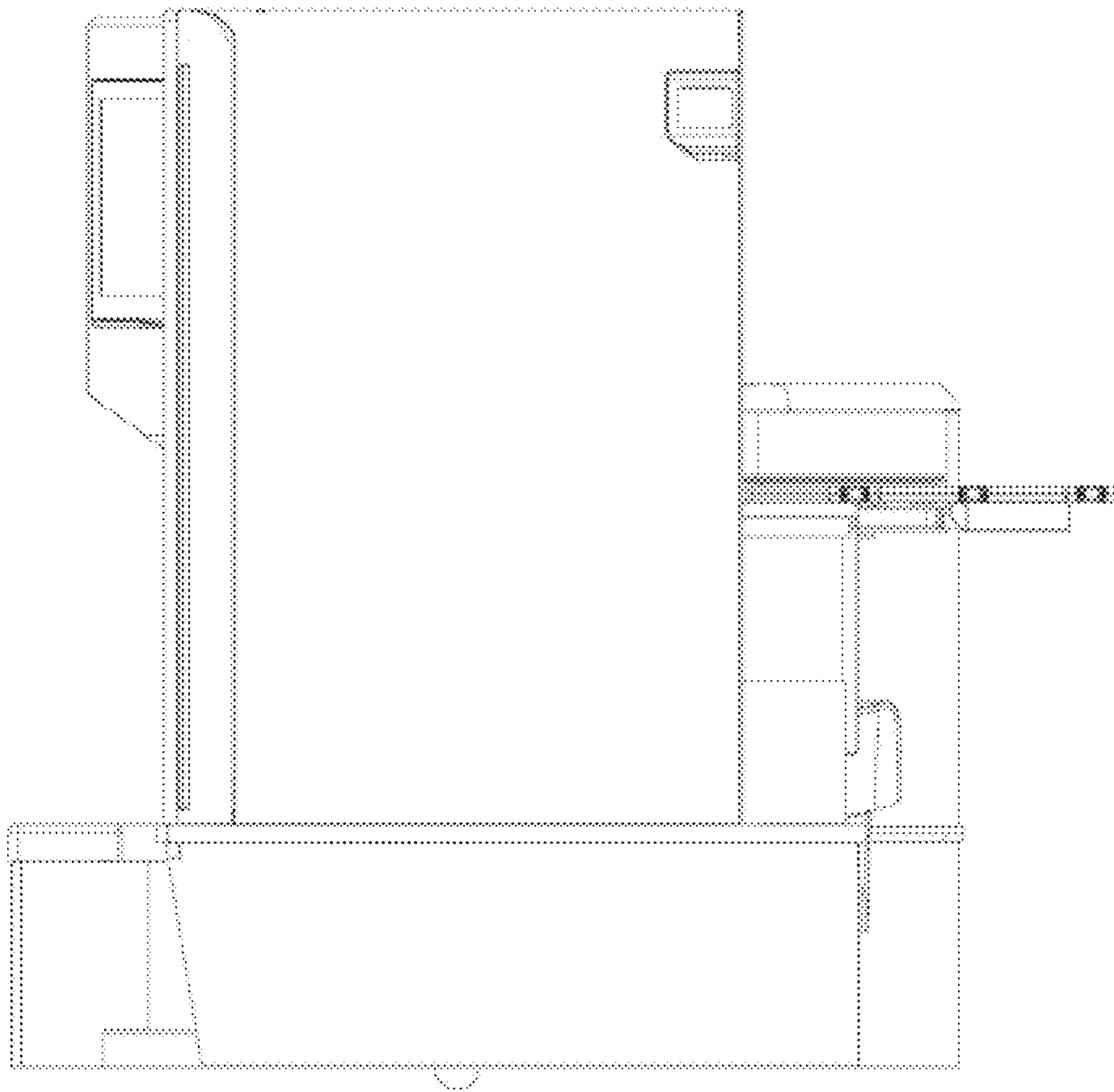


FIG. 6

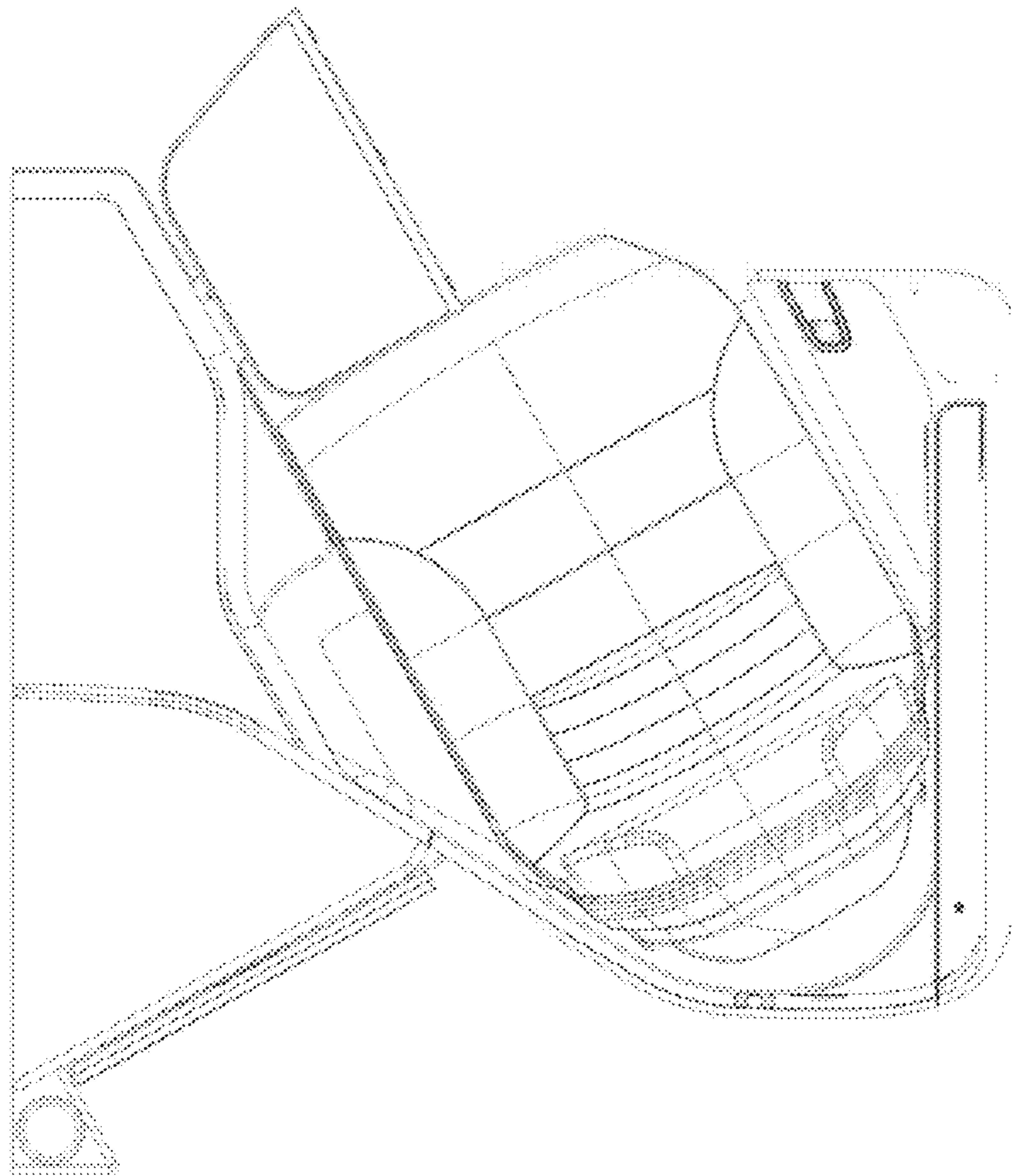


FIG. 7



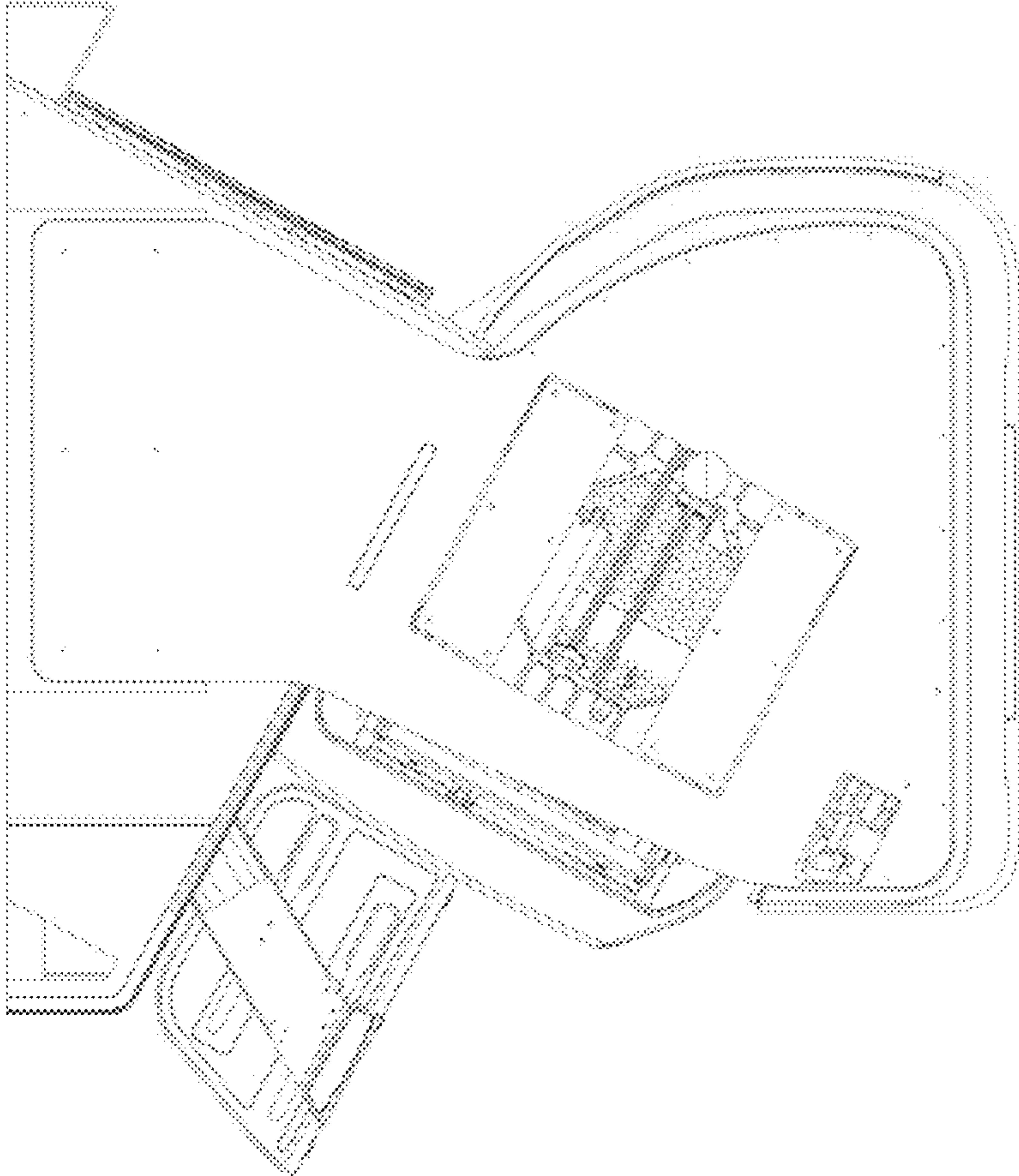


FIG. 8