



US00D937751S

(12) **United States Design Patent** (10) **Patent No.:** **US D937,751 S**
Song (45) **Date of Patent:** **** Dec. 7, 2021**

- (54) **CAR SUNSHADE**
- (71) Applicant: **Tingnan Song**, Qinzhou (CN)
- (72) Inventor: **Tingnan Song**, Qinzhou (CN)
- (**) Term: **15 Years**
- (21) Appl. No.: **29/744,389**
- (22) Filed: **Jul. 29, 2020**
- (51) **LOC (13) Cl.** **12-16**
- (52) **U.S. Cl.**
USPC **D12/403**
- (58) **Field of Classification Search**
USPC D12/401-405; D6/610, 611, 601-603,
D6/615, 617, 621; D7/332, 334-337
CPC B65D 85/68; B65D 31/16; B65D 33/02;
B60R 5/04; B60R 5/045; B60P 7/04
See application file for complete search history.

- D468,257 S * 1/2003 Roby D12/402
- D651,678 S * 1/2012 Muggleton B62J 19/00
D21/834
- D688,619 S * 8/2013 Camara D12/402
- D723,451 S * 3/2015 Depew, Jr. D12/402
- D905,615 S * 12/2020 Patrech D12/403
- D909,281 S * 2/2021 Dooling D12/401
- D911,252 S * 2/2021 Muratovic D12/401
- D926,105 S * 7/2021 Queener D12/401

* cited by examiner

Primary Examiner — Katrina A Betton

(57) **CLAIM**

The ornamental design for a car sunshade, as shown and described.

DESCRIPTION

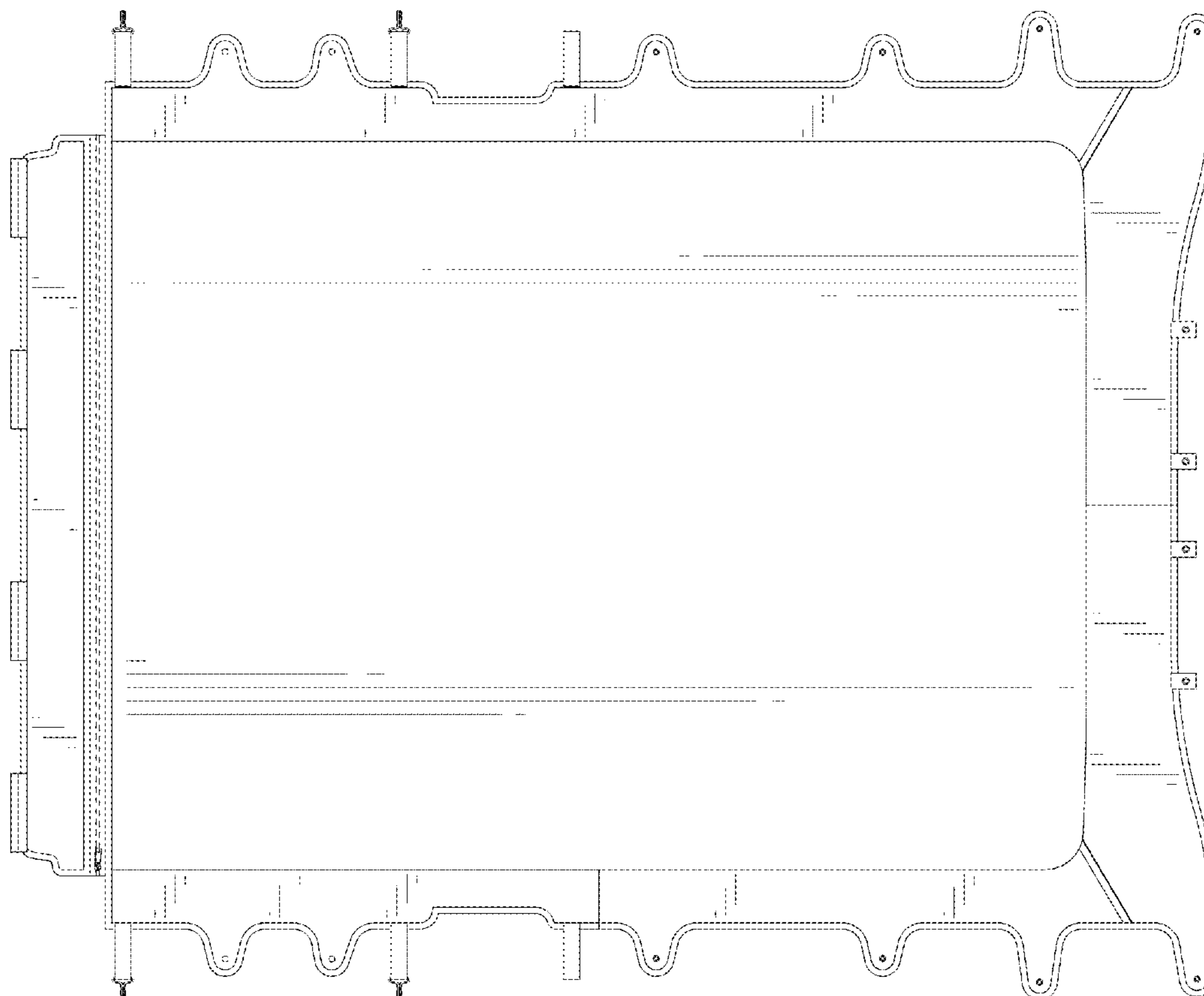
FIG. 1 is a perspective view of a car sunshade showing my new design;
 FIG. 2 is another perspective view thereof;
 FIG. 3 is a front elevational view thereof;
 FIG. 4 is a rear elevational view thereof;
 FIG. 5 is a left side elevational view thereof;
 FIG. 6 is a right side elevational view thereof;
 FIG. 7 is a top plan view thereof;
 FIG. 8 is a bottom plan view thereof; and,
 FIG. 9 is an enlarged view of portion 9 shown in FIG. 2.
 The broken lines in the drawings depict portions of the car sunshade that form no part of the claimed design.

1 Claim, 9 Drawing Sheets

(56) **References Cited**

U.S. PATENT DOCUMENTS

- D292,566 S * 11/1987 Racicot D12/403
- D337,979 S * 8/1993 Napieraj D12/403
- D345,122 S * 3/1994 Lloyd B65D 85/68
D12/221
- D373,753 S * 9/1996 Ferguson D12/402
- D393,445 S * 4/1998 Nicholson D12/402



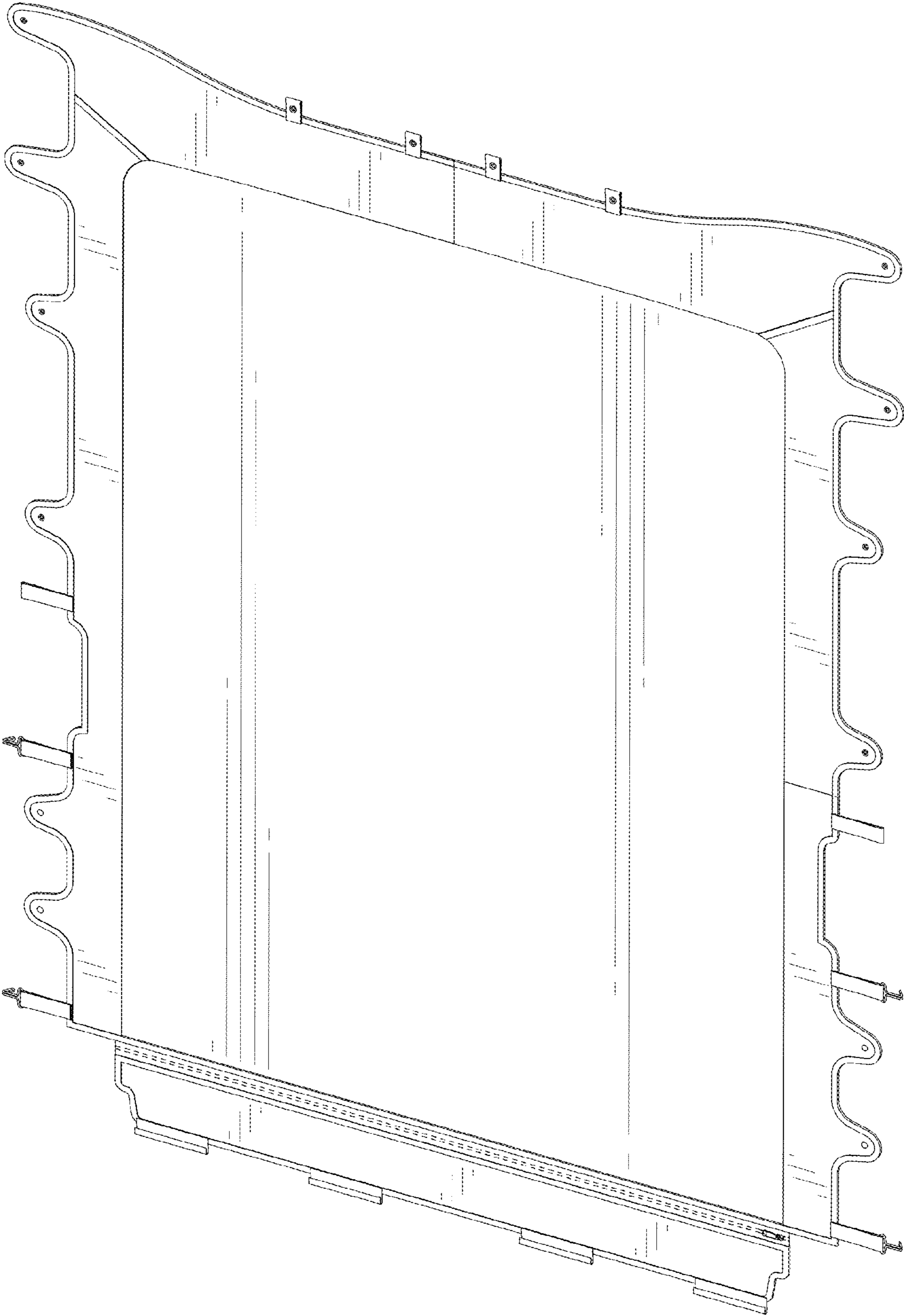


FIG. 1

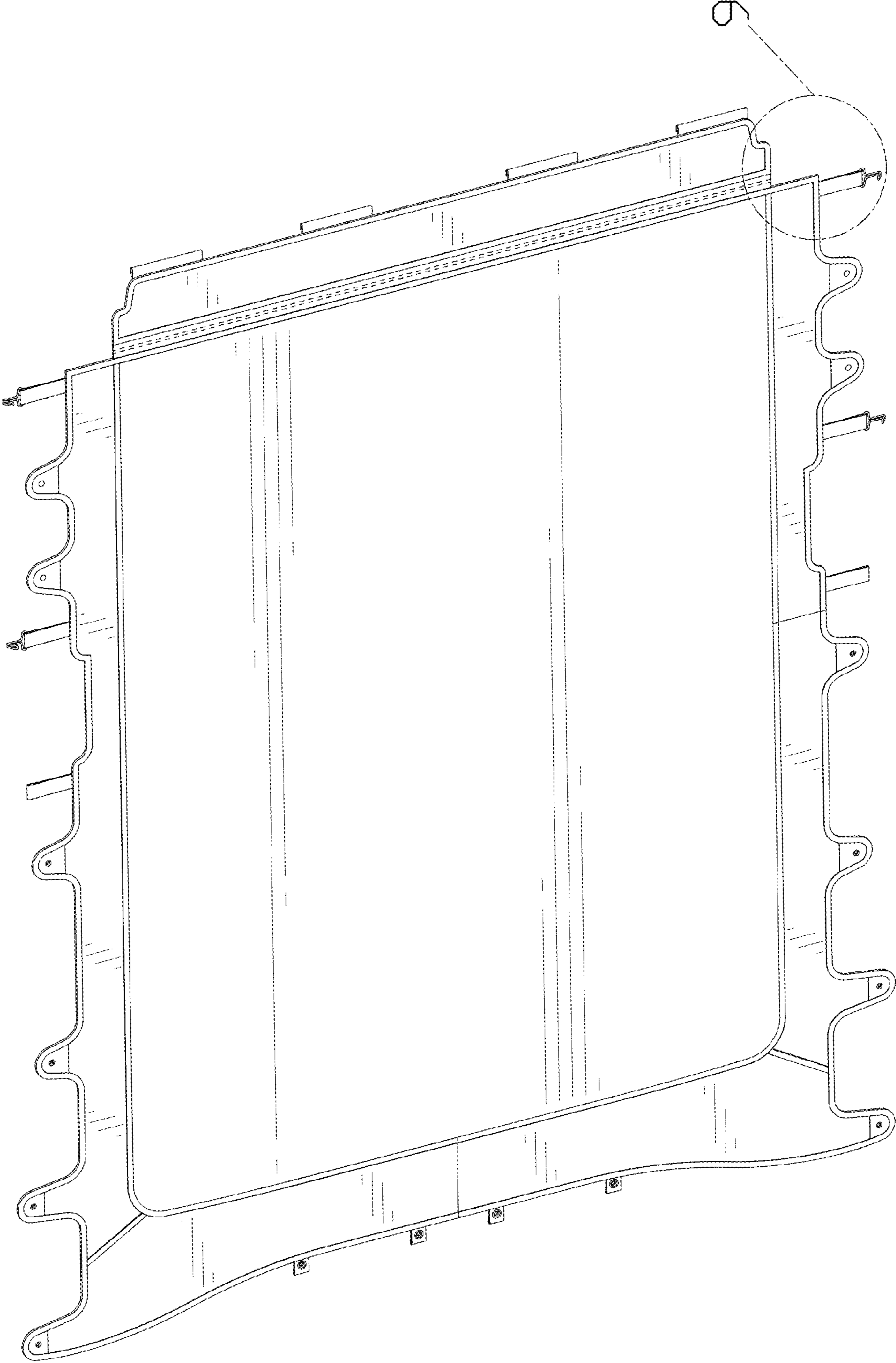


FIG. 2

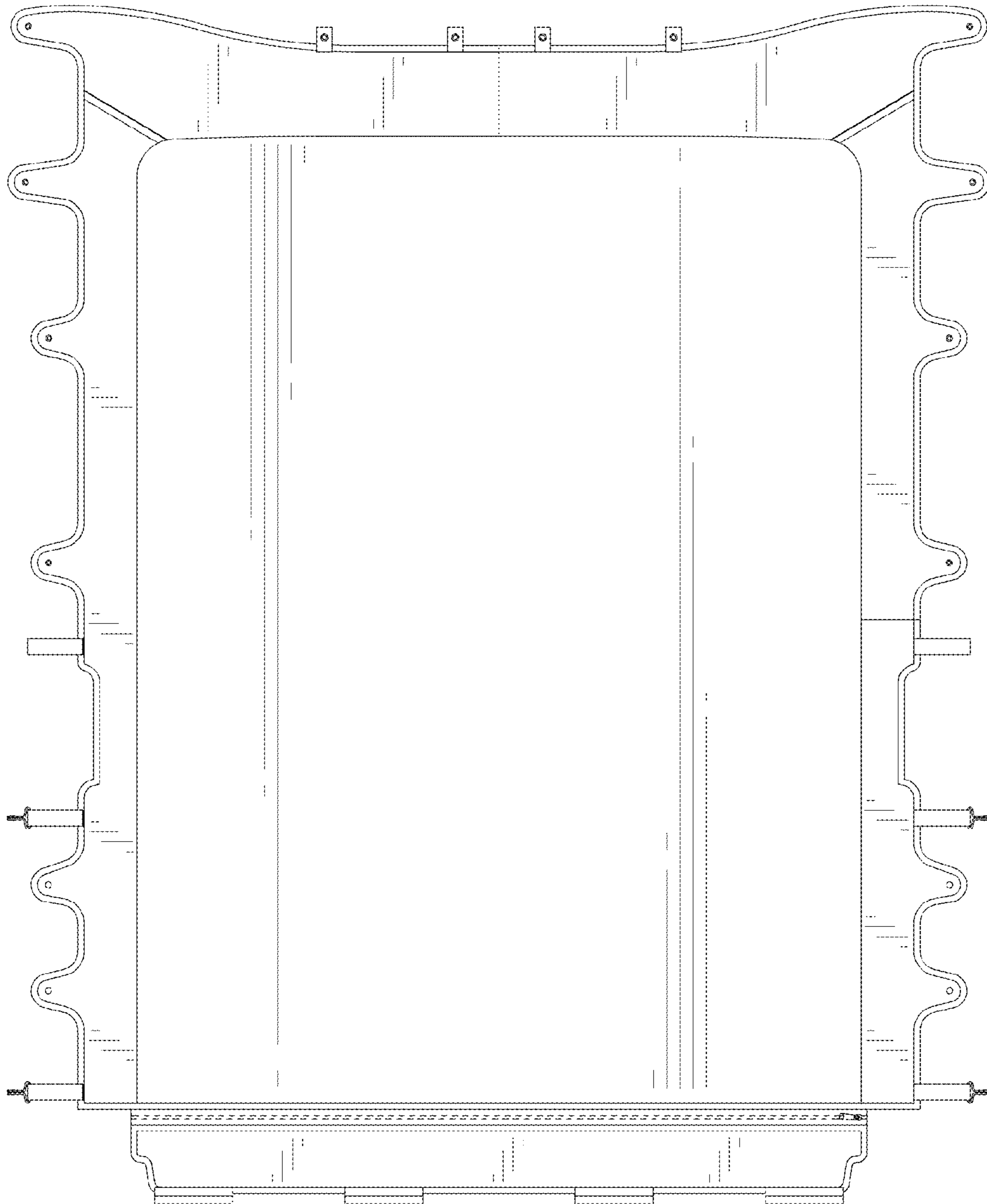


FIG. 3

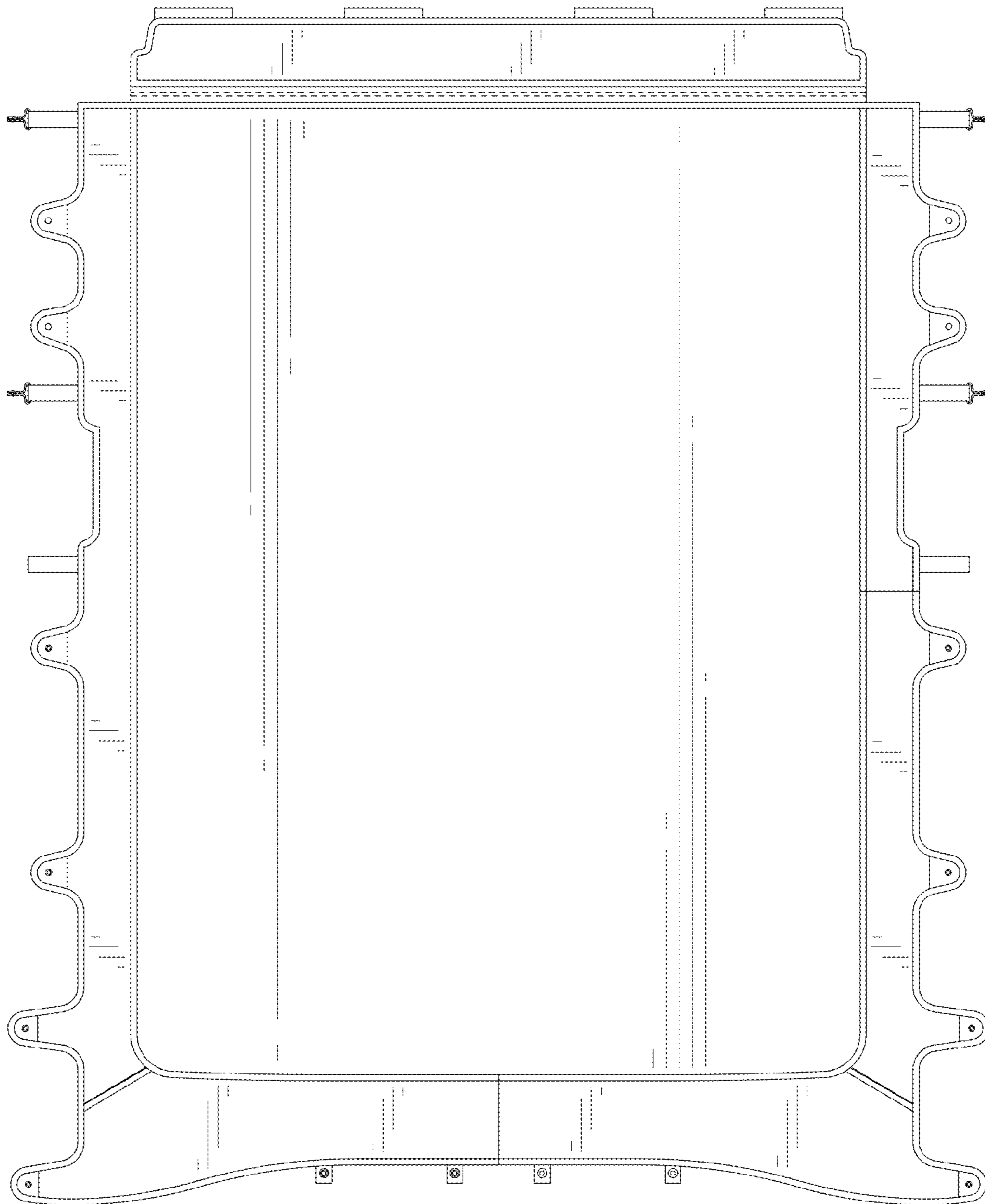


FIG. 4

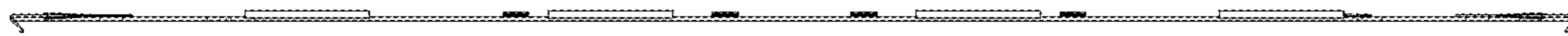


FIG. 5

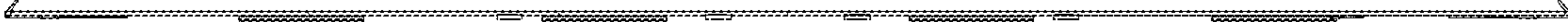


FIG. 6



FIG. 7



FIG. 8

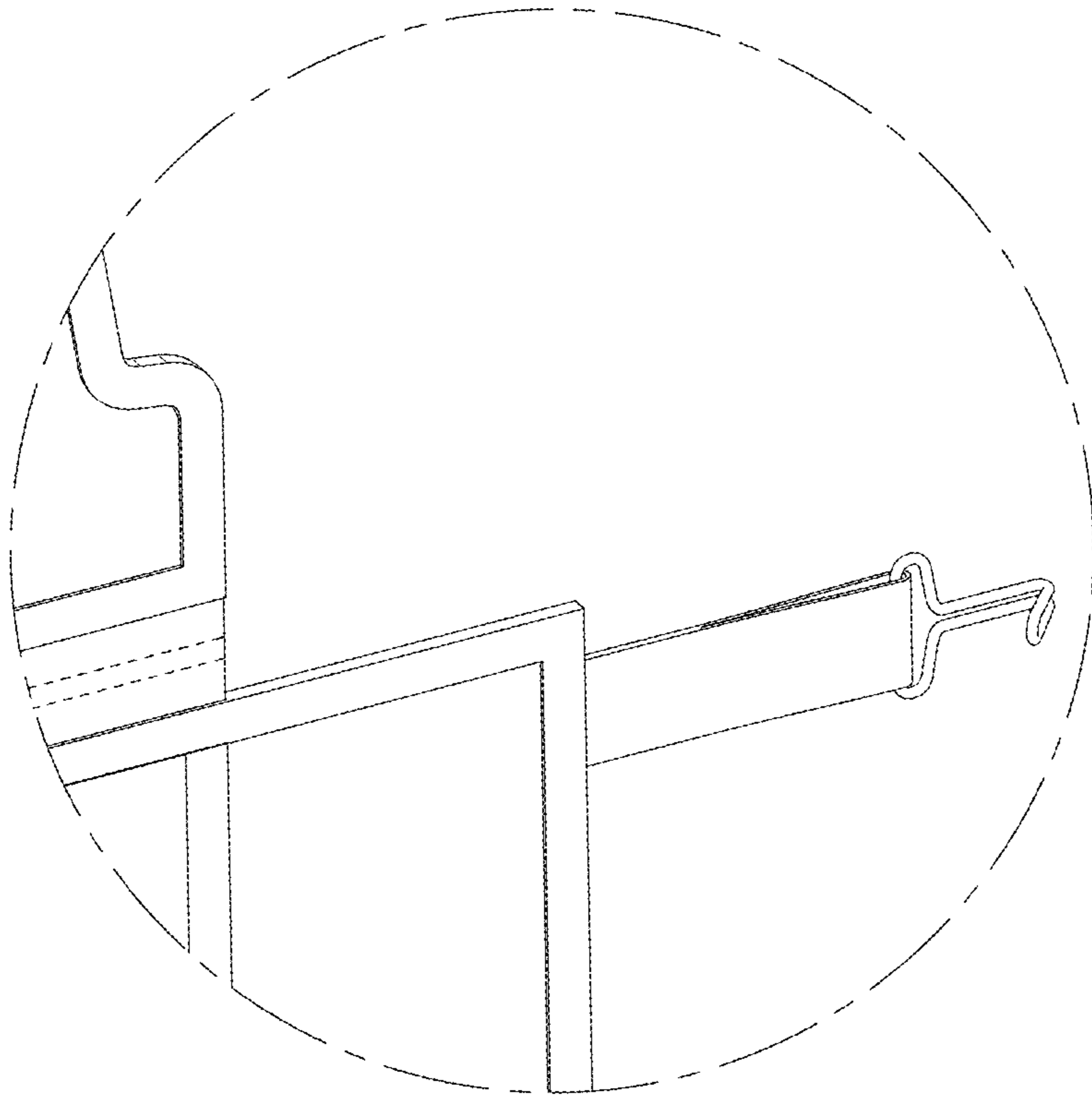


FIG. 9