



US00D937744S

(12) **United States Design Patent**
Lickliter

(10) **Patent No.:** **US D937,744 S**

(45) **Date of Patent:** **** Dec. 7, 2021**

(54) **WHEEL CAP**

(71) Applicant: **Wheel Pros, LLC**, Greenwood Village,
CO (US)

(72) Inventor: **Hans Lickliter**, Canyon Country, CA
(US)

(**) Term: **15 Years**

(21) Appl. No.: **29/728,448**

(22) Filed: **Mar. 18, 2020**

(51) **LOC (13) Cl.** **12-16**

(52) **U.S. Cl.**
USPC **D12/213**

(58) **Field of Classification Search**
USPC D12/204-213; D21/563
CPC B60B 7/00; B60B 7/02; B60B 7/04; B60B
7/01; B60B 7/06; B60B 3/02; B60B 3/04;
B60B 3/06; B60B 3/10; B60B 1/00;
B60B 1/08; B60B 1/10; B60B 1/12
See application file for complete search history.

(56) **References Cited**

U.S. PATENT DOCUMENTS

D321,164 S	*	10/1991	Gibson	D12/213
D629,731 S	*	12/2010	Wang	D12/207
D662,869 S	*	7/2012	Ballard	D12/213
D702,174 S	*	4/2014	Gordon	D12/213
D741,246 S	*	10/2015	Chung	D12/213
D751,489 S	*	3/2016	Chung	D12/213
D761,183 S	*	7/2016	Bennett	B60B 7/04 D12/213

D798,218 S	*	9/2017	Platto	D12/213
D803,137 S	*	11/2017	Platto	D12/213
D831,554 S	*	10/2018	Caldwell	D12/207
D838,228 S	*	1/2019	Chung	D12/213
D852,715 S	*	7/2019	Ash	D12/213
D858,417 S	*	9/2019	Woodhouse	D12/213
D860,105 S	*	9/2019	Moore	D12/213
D885,296 S	*	5/2020	Hale, Jr.	D12/213
D904,965 S	*	12/2020	Horlick	D12/213
D911,246 S	*	2/2021	Lickliter	D12/213
2010/0194181 A1	*	8/2010	Noriega	B60B 1/06 301/37.26

* cited by examiner

Primary Examiner — Stacia A Cadmus

(74) *Attorney, Agent, or Firm* — Eric Hanscom

(57) **CLAIM**

The ornamental design for a wheel cap, as shown and described.

DESCRIPTION

FIG. 1 is a perspective view of a wheel cap showing my new design;

FIG. 2 is a front view thereof;

FIG. 3 is a left-side view thereof;

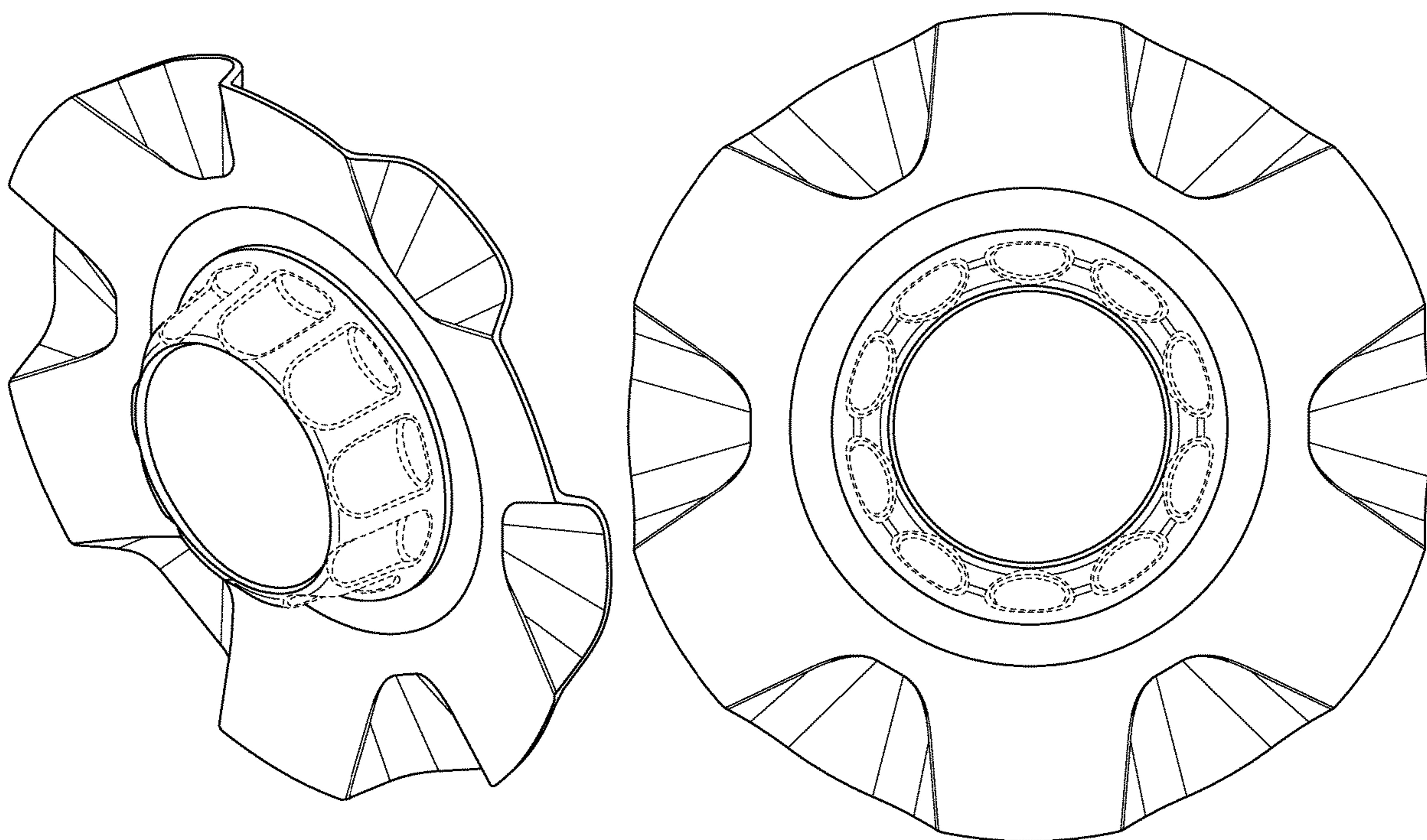
FIG. 4 is a right-side view thereof;

FIG. 5 is a top view thereof; and,

FIG. 6 is a bottom view thereof.

In the drawings the broken lines depict portions of the wheel that form no part of the claimed design.

1 Claim, 6 Drawing Sheets



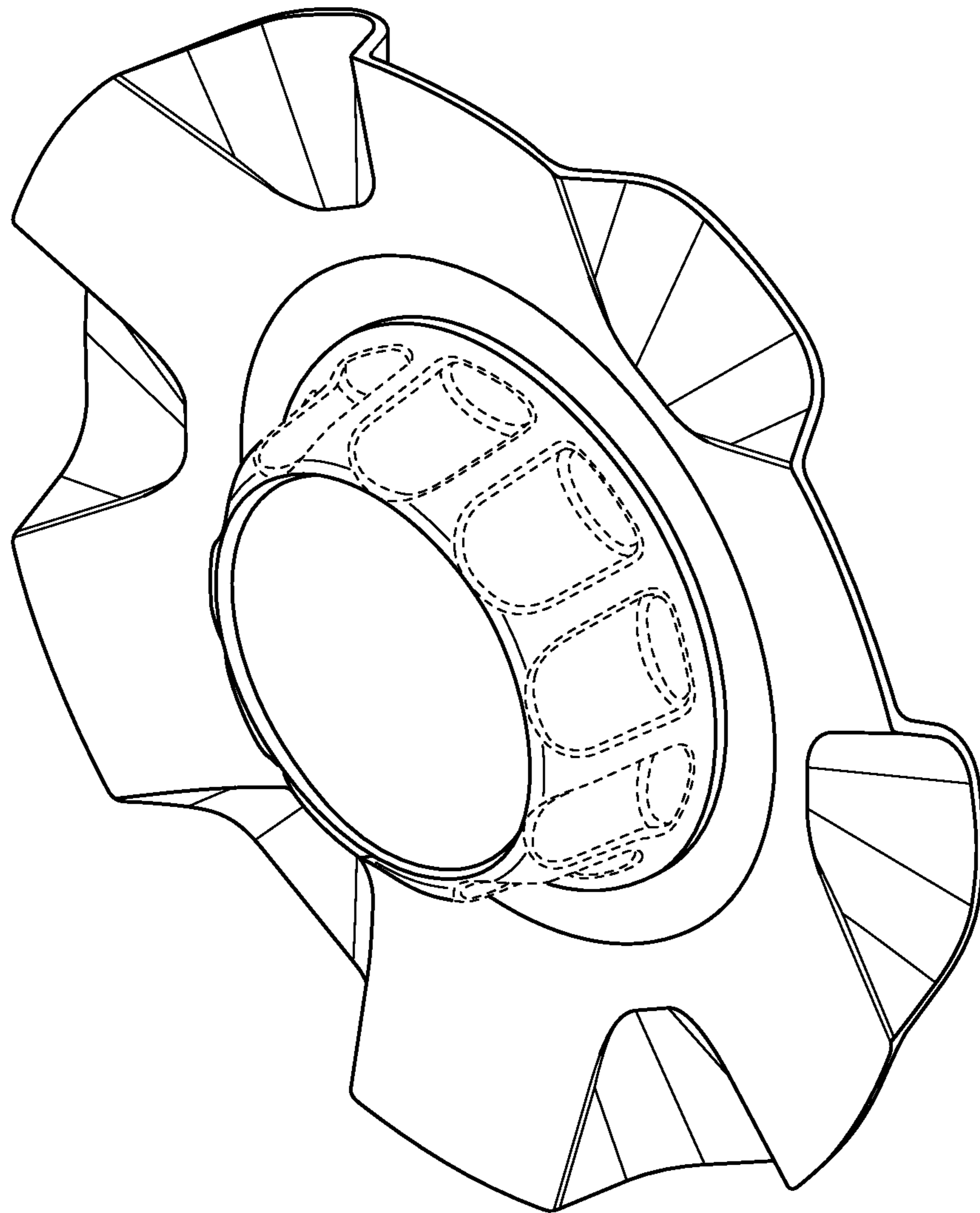


FIG. 1

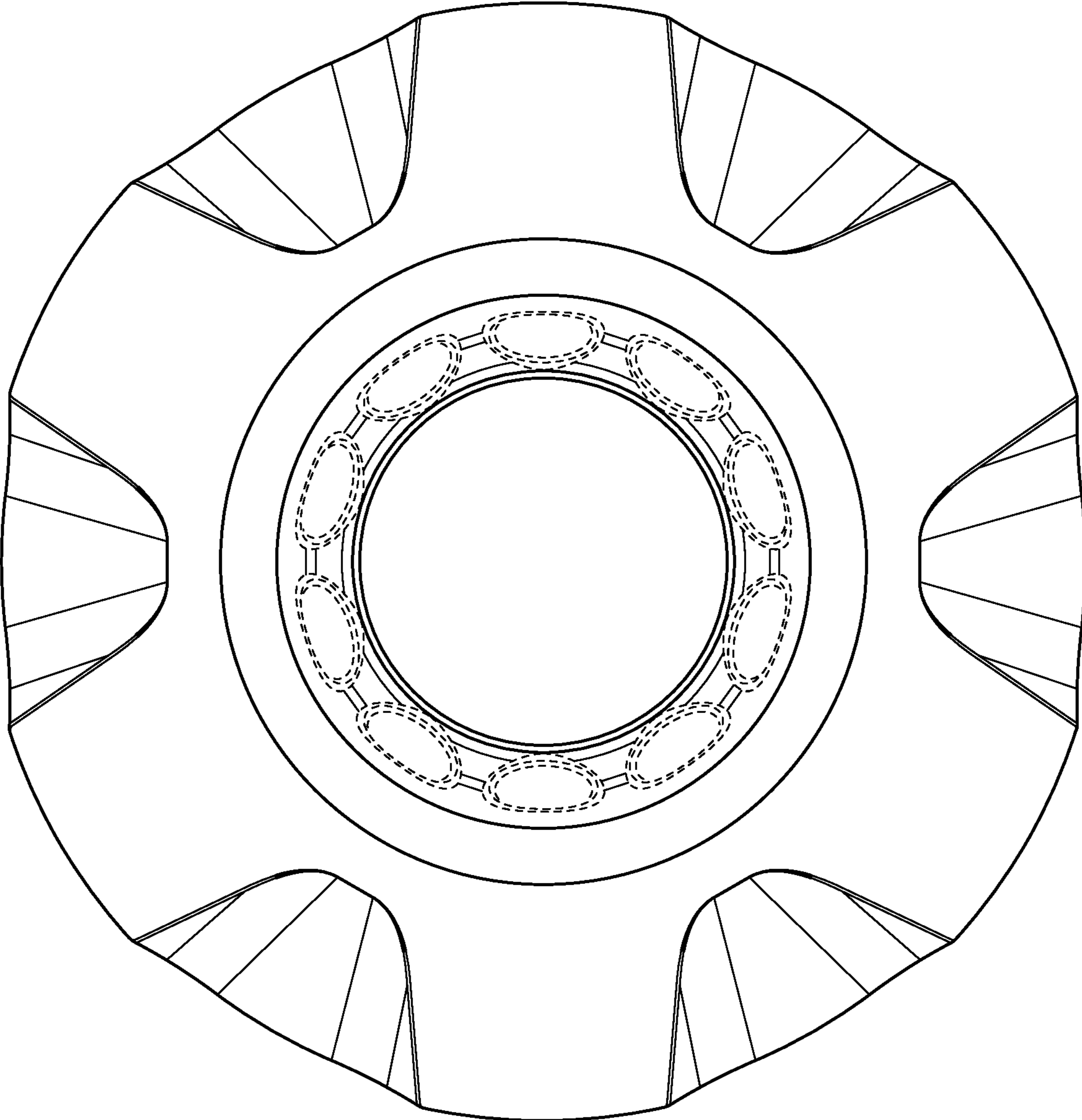


FIG. 2

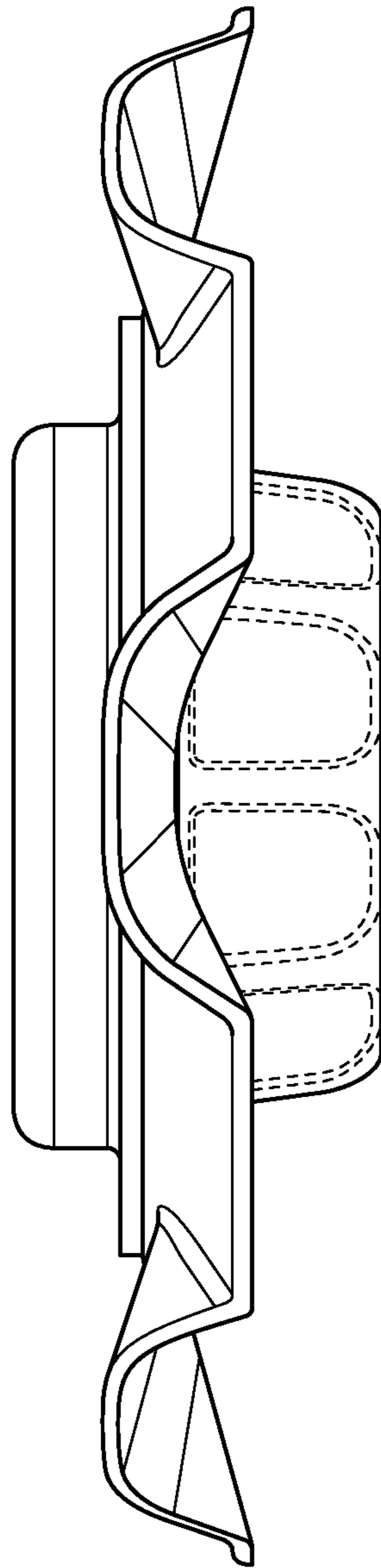


FIG. 3

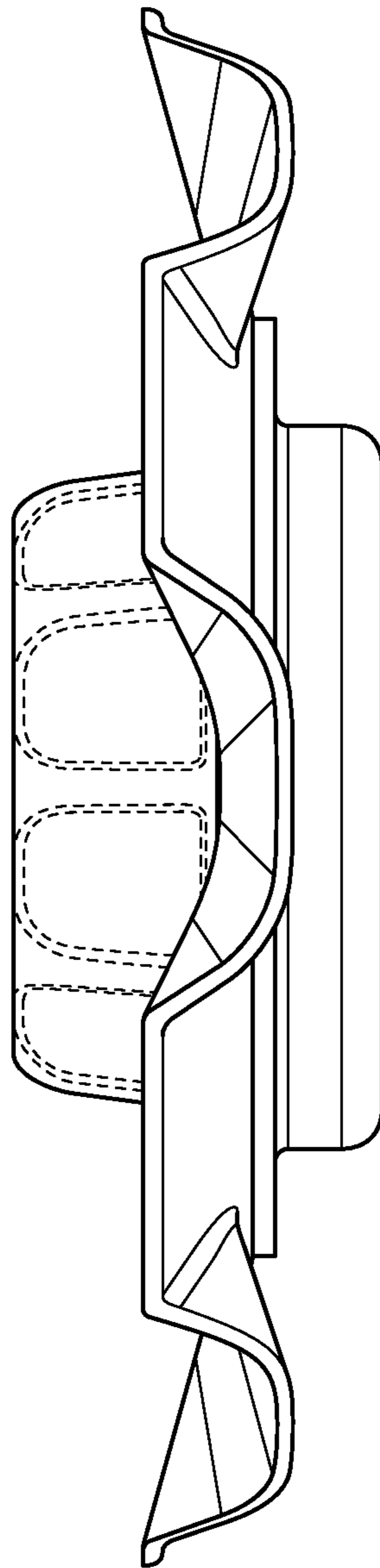


FIG. 4

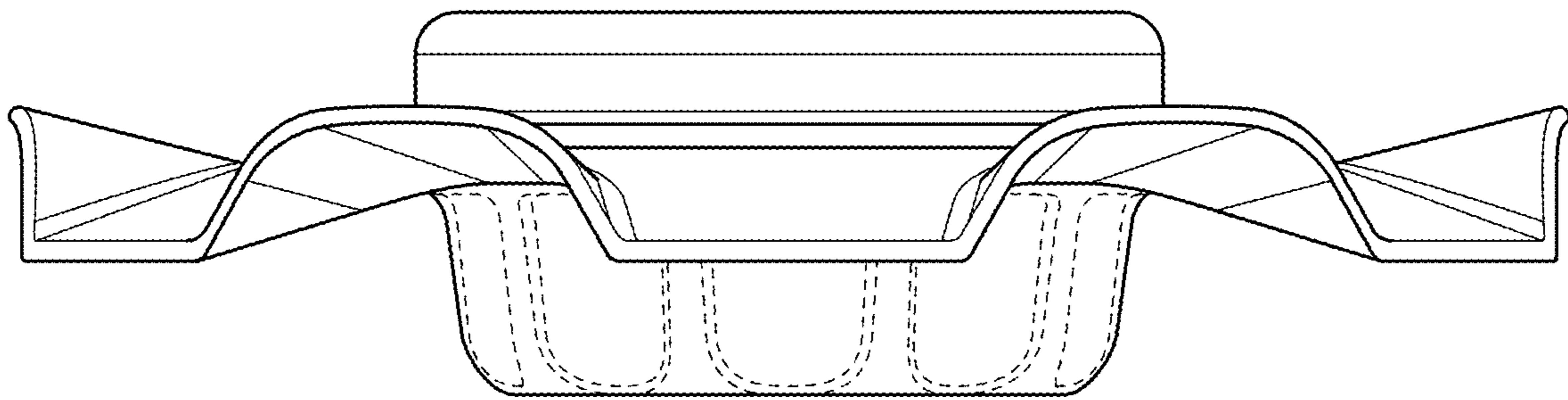


FIG. 5

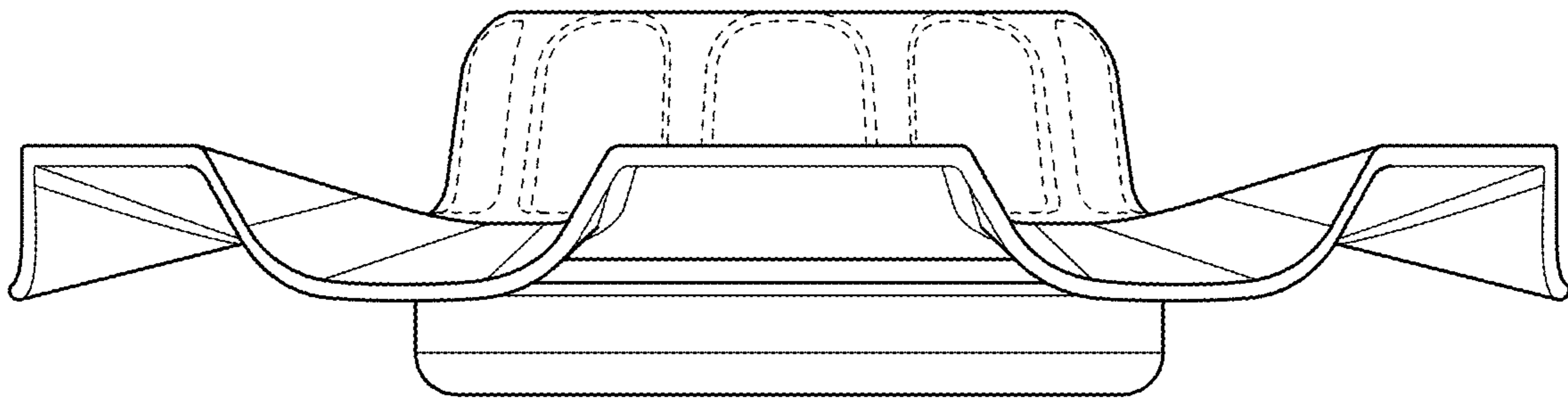


FIG. 6