



US00D937741S

(12) **United States Design Patent**
Tran

(10) **Patent No.:** **US D937,741 S**

(45) **Date of Patent:** **** Dec. 7, 2021**

(54) **WHEEL**

(71) Applicant: **Wheel Pros, LLC**, Greenwood Village,
CO (US)

(72) Inventor: **Peter Tran**, Lake Hughes, CA (US)

(**) Term: **15 Years**

(21) Appl. No.: **29/762,024**

(22) Filed: **Dec. 14, 2020**

(51) **LOC (13) Cl.** **12-16**

(52) **U.S. Cl.**
USPC **D12/209**

(58) **Field of Classification Search**
USPC D12/204–213; D21/563
CPC B60B 7/00; B60B 7/02; B60B 7/04; B60B
7/01; B60B 7/06; B60B 3/02; B60B 3/04;
B60B 3/06; B60B 3/10; B60B 1/00;
B60B 1/08; B60B 1/10; B60B 1/12
See application file for complete search history.

(56) **References Cited**

U.S. PATENT DOCUMENTS

D436,911 S * 1/2001 Chung D12/211
D464,009 S * 10/2002 Laengerer D12/211

D506,965 S * 7/2005 Kataoka D12/209
D593,476 S * 6/2009 Juergens D12/211
D596,551 S * 7/2009 Futschik D12/211
D619,071 S * 7/2010 Christensen D12/211
D620,425 S * 7/2010 Zhao D12/211
D660,764 S * 5/2012 Chan D12/209
D789,864 S * 6/2017 Song D12/211
D794,527 S * 8/2017 Johnson D12/209
D862,350 S * 10/2019 Woodhouse D12/209
D914,573 S * 3/2021 Kirst D12/211
D915,992 S * 4/2021 VanRyn D12/211
D920,206 S * 5/2021 Johnson D12/209
D922,926 S * 6/2021 Lim D12/209
D924,112 S * 7/2021 Woodhouse D12/209

* cited by examiner

Primary Examiner — Stacia A Cadmus

(74) *Attorney, Agent, or Firm* — Eric Hanscom

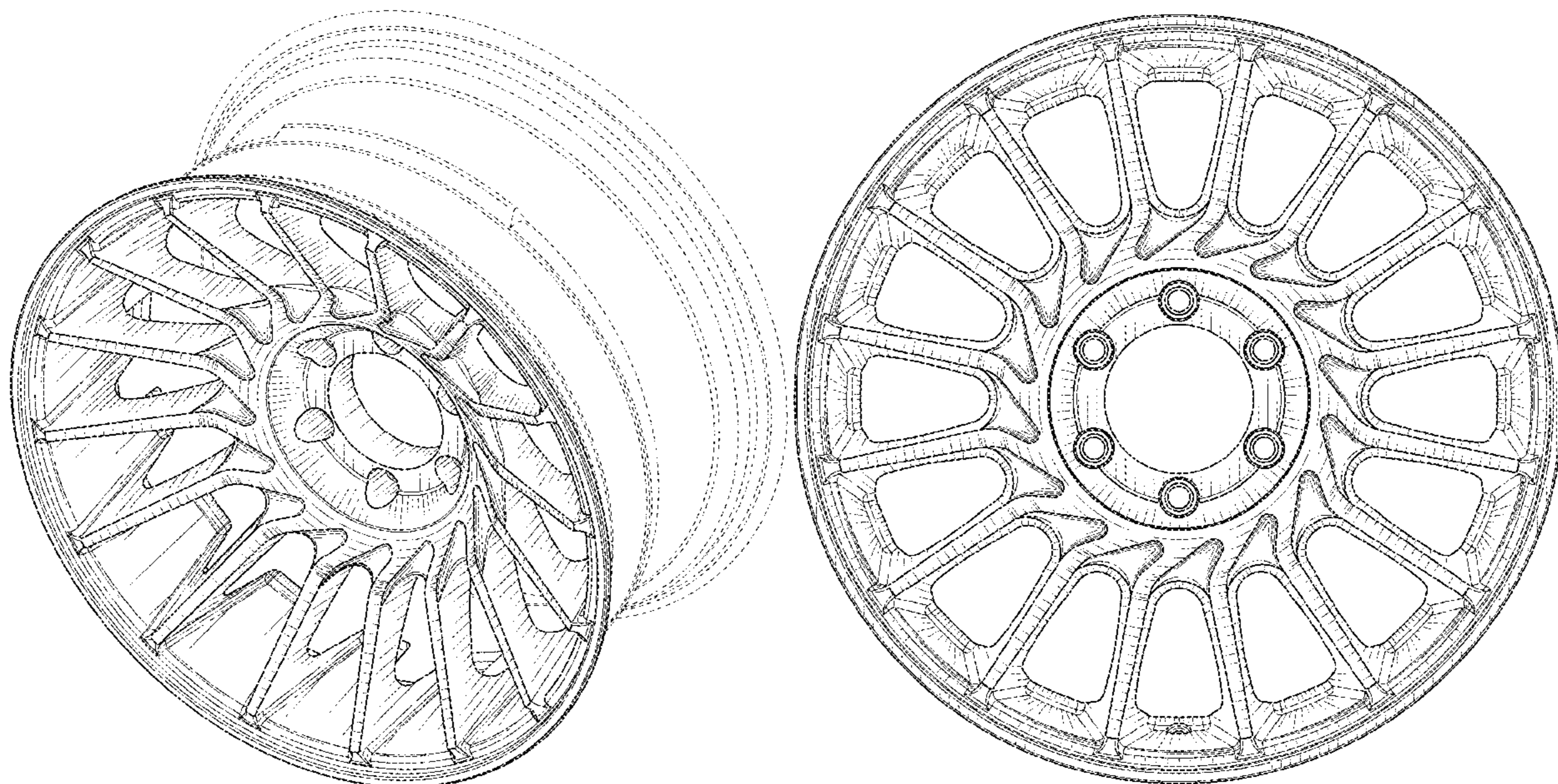
(57) **CLAIM**

The ornamental design for a wheel, as shown and described.

DESCRIPTION

FIG. 1 is a perspective view of a wheel showing my new design; and,
FIG. 2 is a front view thereof.
In the drawings the broken lines depict portions of the wheel that form no part of the claimed design.

1 Claim, 2 Drawing Sheets



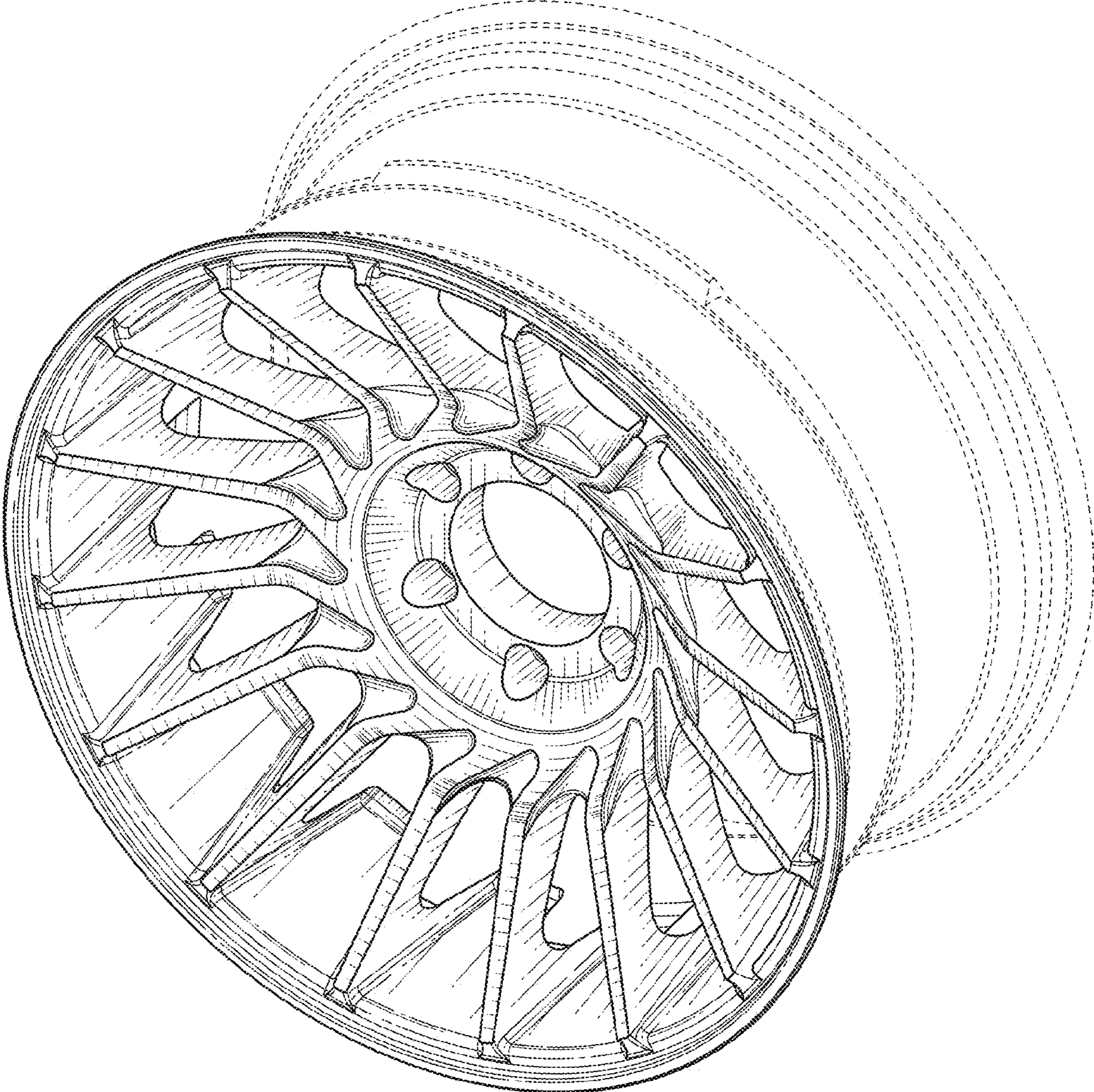


FIG. 1

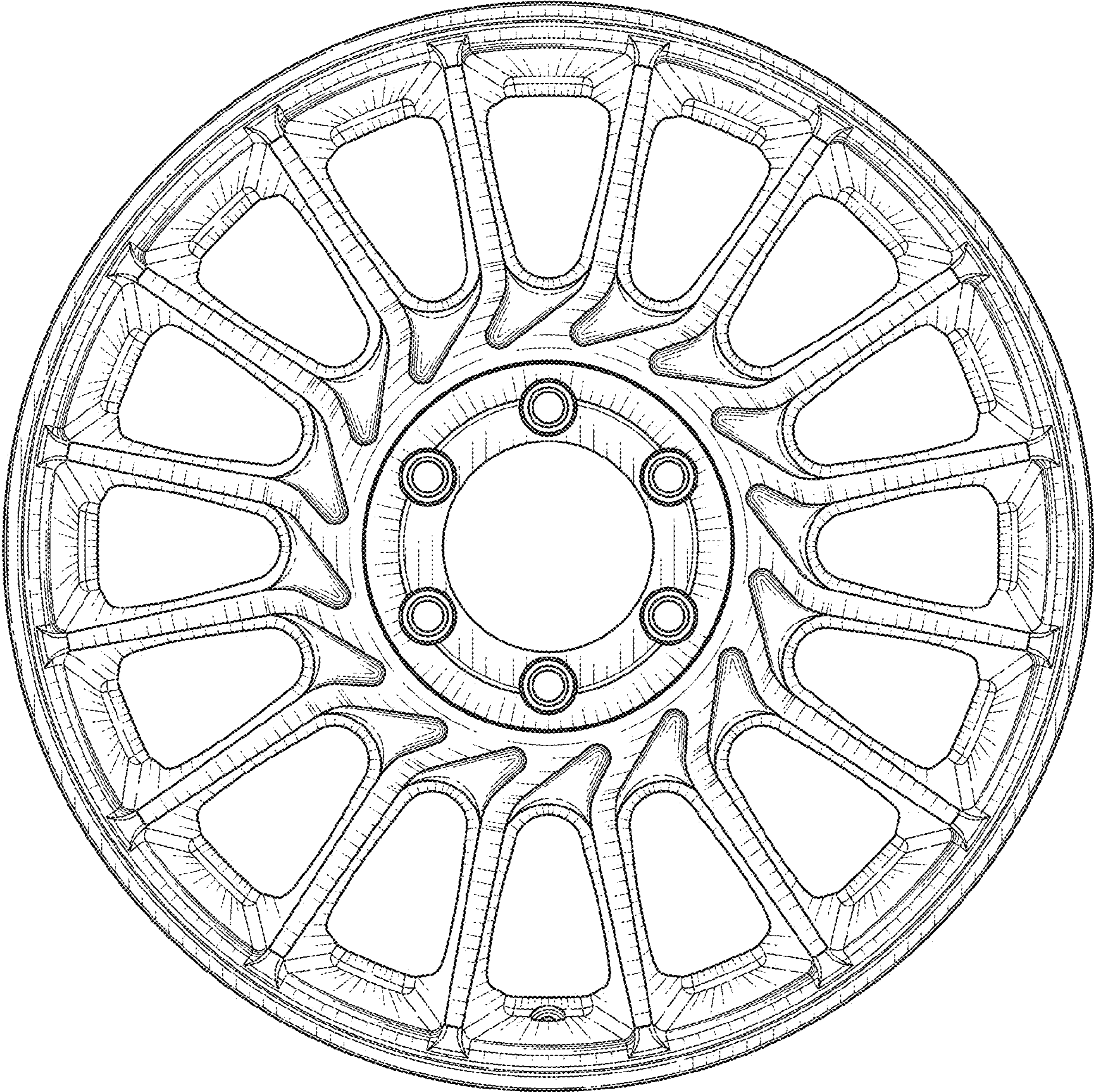


FIG. 2