



US00D937740S

(12) **United States Design Patent**  
**Tran**

(10) **Patent No.:** **US D937,740 S**

(45) **Date of Patent:** **\*\* Dec. 7, 2021**

(54) **WHEEL**

(71) Applicant: **Wheel Pros, LLC**, Greenwood Village,  
CO (US)

(72) Inventor: **Peter Tran**, Lake Hughes, CA (US)

(\*\*) Term: **15 Years**

(21) Appl. No.: **29/762,023**

(22) Filed: **Dec. 14, 2020**

(51) **LOC (13) Cl.** ..... **12-16**

(52) **U.S. Cl.**  
USPC ..... **D12/209**

(58) **Field of Classification Search**  
USPC ..... D12/204-213; D21/563  
CPC .... B60B 7/00; B60B 7/02; B60B 7/04; B60B  
7/01; B60B 7/06; B60B 3/02; B60B 3/04;  
B60B 3/06; B60B 3/10; B60B 1/00;  
B60B 1/08; B60B 1/10; B60B 1/12  
See application file for complete search history.

(56) **References Cited**

**U.S. PATENT DOCUMENTS**

D516,488 S \* 3/2006 Truebsbach ..... D12/209  
D584,673 S \* 1/2009 Chung ..... D12/209

D695,666 S \* 12/2013 Chung ..... D12/209  
D714,202 S \* 9/2014 Kim ..... D12/209  
D798,211 S \* 9/2017 Chung ..... D12/209  
D858,406 S \* 9/2019 Johnson ..... D12/209  
D871,295 S \* 12/2019 Han ..... D12/209  
D883,891 S \* 5/2020 Johnson ..... D12/209  
D891,344 S \* 7/2020 Platto ..... D12/209  
D906,920 S \* 1/2021 Sempek ..... D12/209  
D911,910 S \* 3/2021 Hale, Jr. .... D12/209  
D914,574 S \* 3/2021 VanRyn ..... D12/209  
D922,927 S \* 6/2021 Kaoud ..... D12/209

\* cited by examiner

*Primary Examiner* — Stacia A Cadmus

(74) *Attorney, Agent, or Firm* — Eric Hanscom

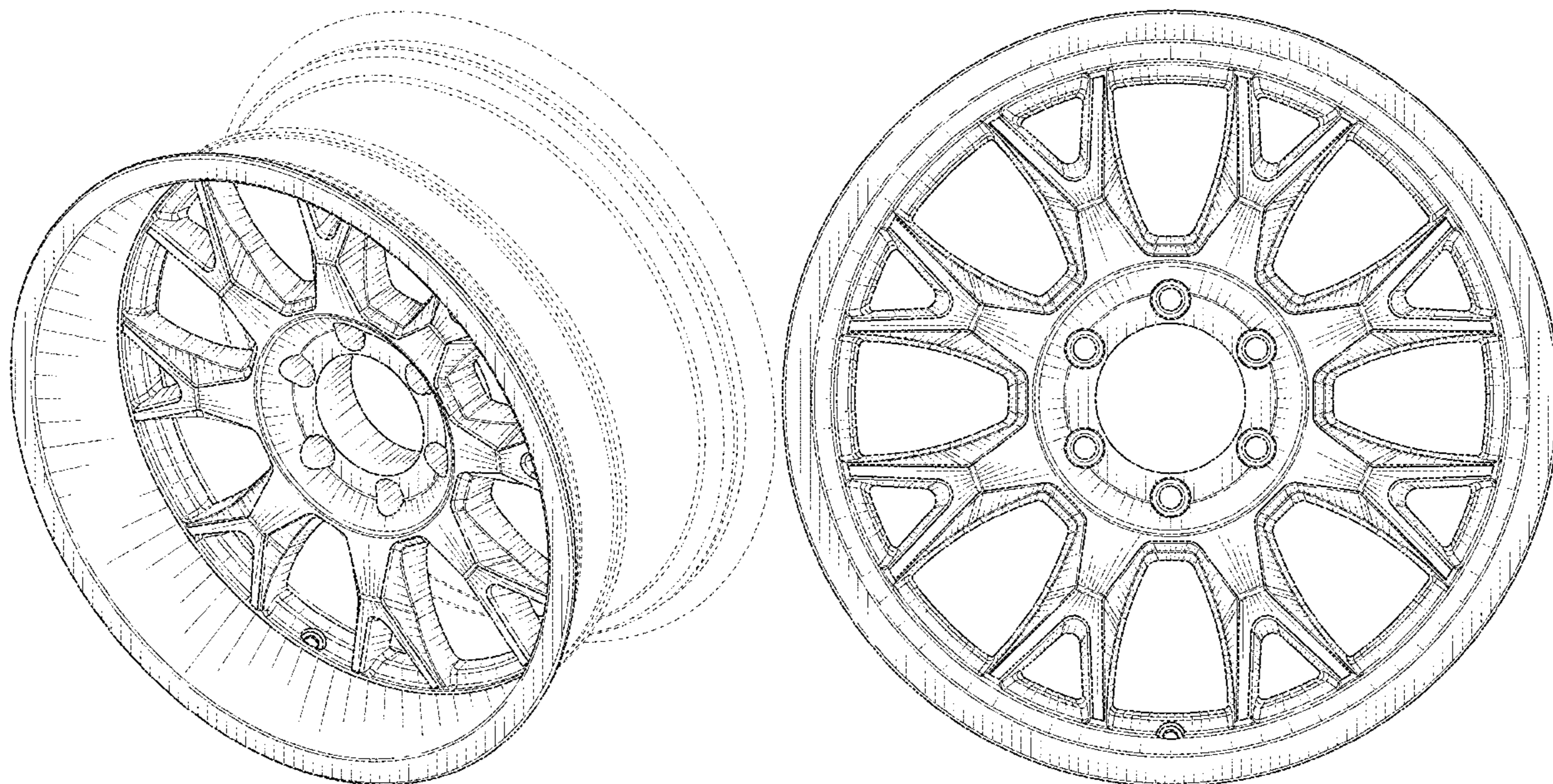
(57) **CLAIM**

The ornamental design for a wheel, as shown and described.

**DESCRIPTION**

FIG. 1 is a perspective view of a wheel showing my new design; and,  
FIG. 2 is a front view thereof.  
In the drawings, the broken lines depict portions of the wheel that form no part of the claimed design.

**1 Claim, 2 Drawing Sheets**



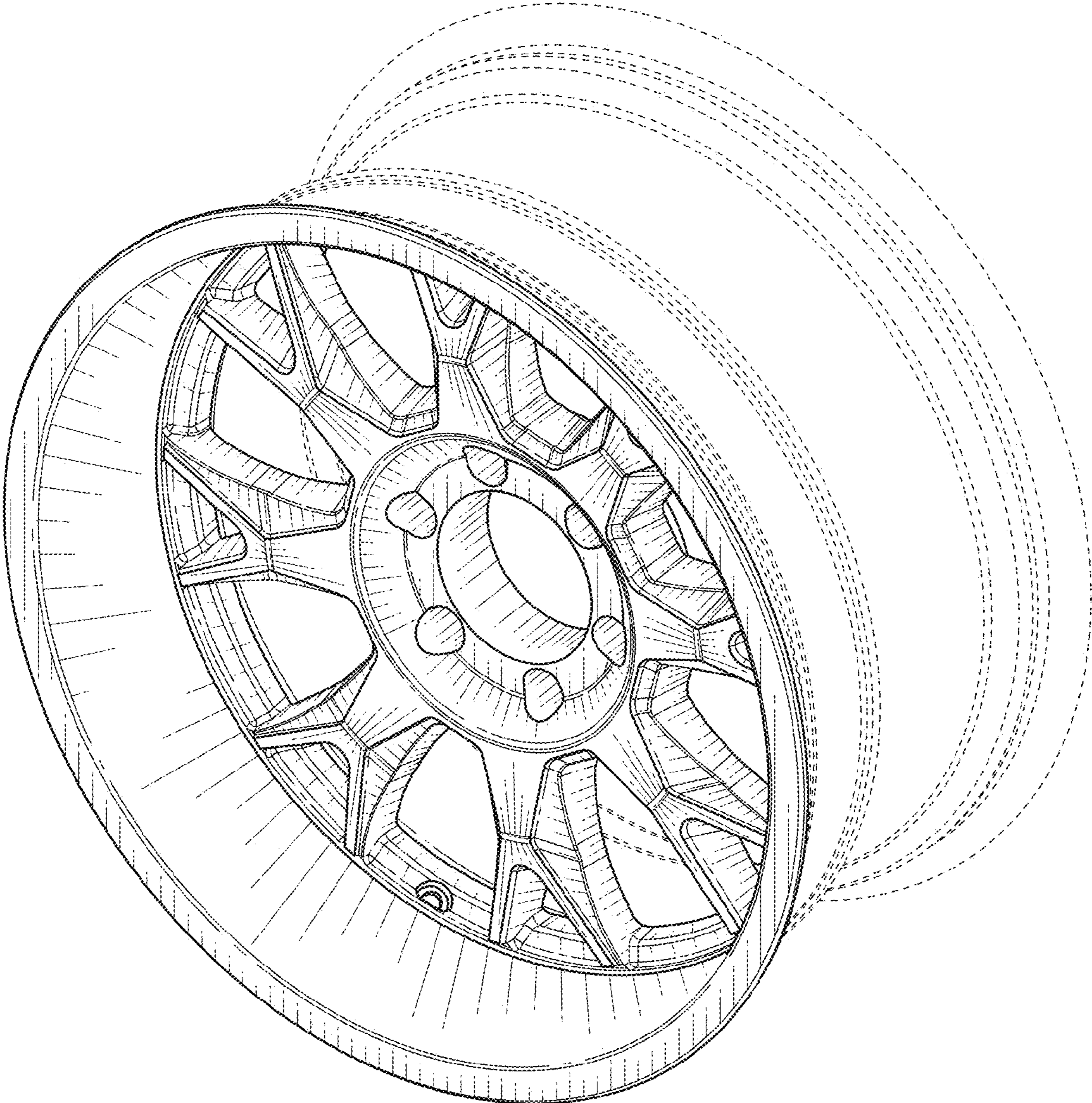


FIG. 1

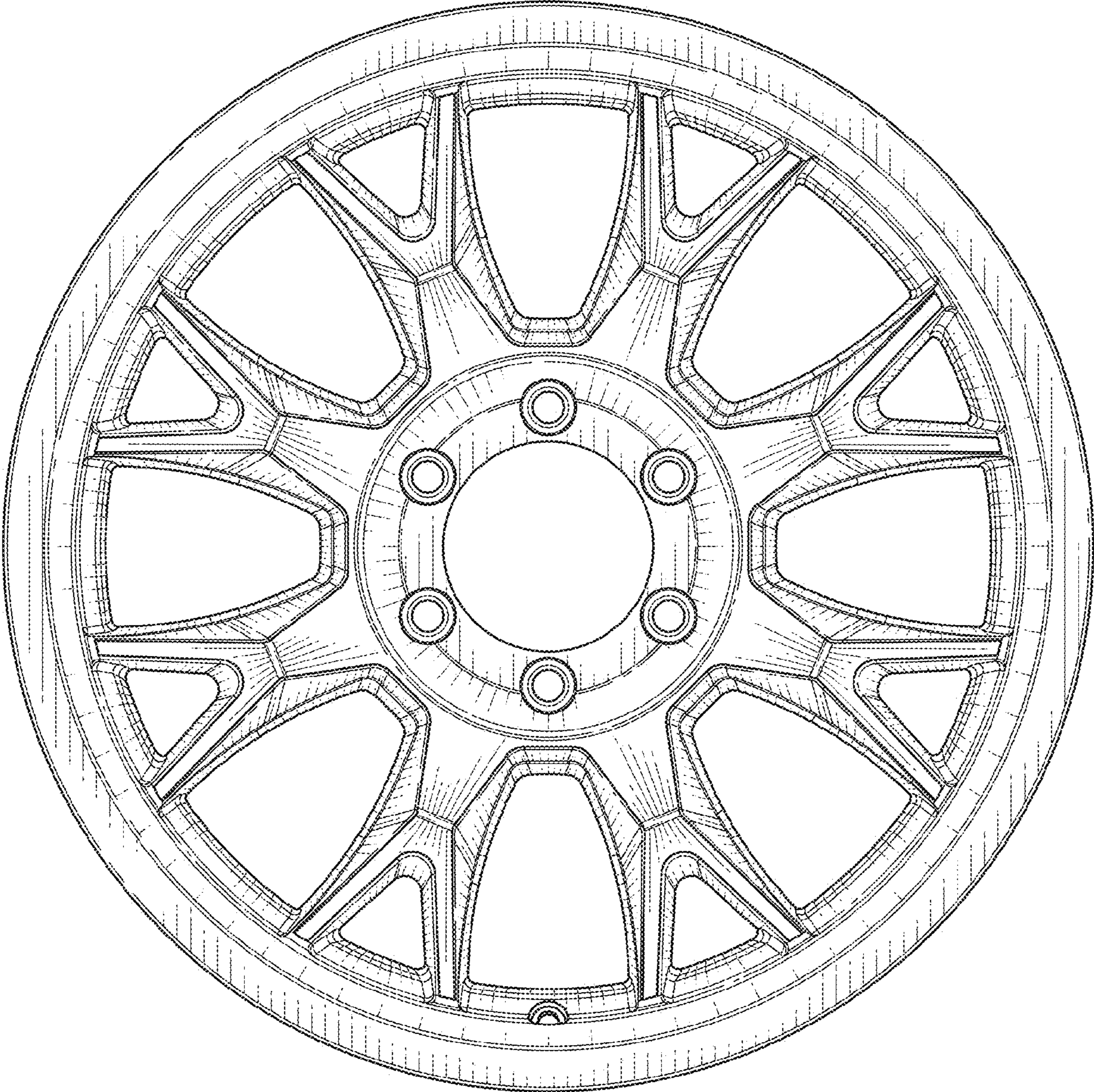


FIG. 2