



US00D937736S

(12) **United States Design Patent**
Podlovits

(10) **Patent No.:** **US D937,736 S**

(45) **Date of Patent:** **** Dec. 7, 2021**

(54) **WHEEL FRONT FACE**

(71) Applicant: **Joseph F. Podlovits**, Brea, CA (US)

(72) Inventor: **Joseph F. Podlovits**, Brea, CA (US)

(73) Assignee: **WHEEL GROUP HOLDINGS, LLC**,
Ontario, CA (US)

(**) Term: **15 Years**

(21) Appl. No.: **29/753,745**

(22) Filed: **Oct. 1, 2020**

(51) **LOC (13) Cl.** **12-16**

(52) **U.S. Cl.**
USPC **D12/209**

(58) **Field of Classification Search**
USPC D12/204-213; D21/563
CPC B60B 7/00; B60B 7/02; B60B 7/04; B60B
7/01; B60B 7/06; B60B 3/02; B60B 3/04;
B60B 3/06; B60B 3/10; B60B 1/00;
B60B 1/08; B60B 1/10; B60B 1/12
See application file for complete search history.

(56) **References Cited**

U.S. PATENT DOCUMENTS

D623,573 S * 9/2010 Thurner D12/209
D722,001 S * 2/2015 Kern D12/209

D887,943 S * 6/2020 Han D12/209
D887,944 S * 6/2020 Han D12/209
D901,359 S * 11/2020 Liu D12/209
D927,390 S * 8/2021 Chang D12/209
D927,392 S * 8/2021 Xia D12/209

* cited by examiner

Primary Examiner — Stacia A Cadmus

(74) *Attorney, Agent, or Firm* — Law Offices of S.J.
Christine Yang

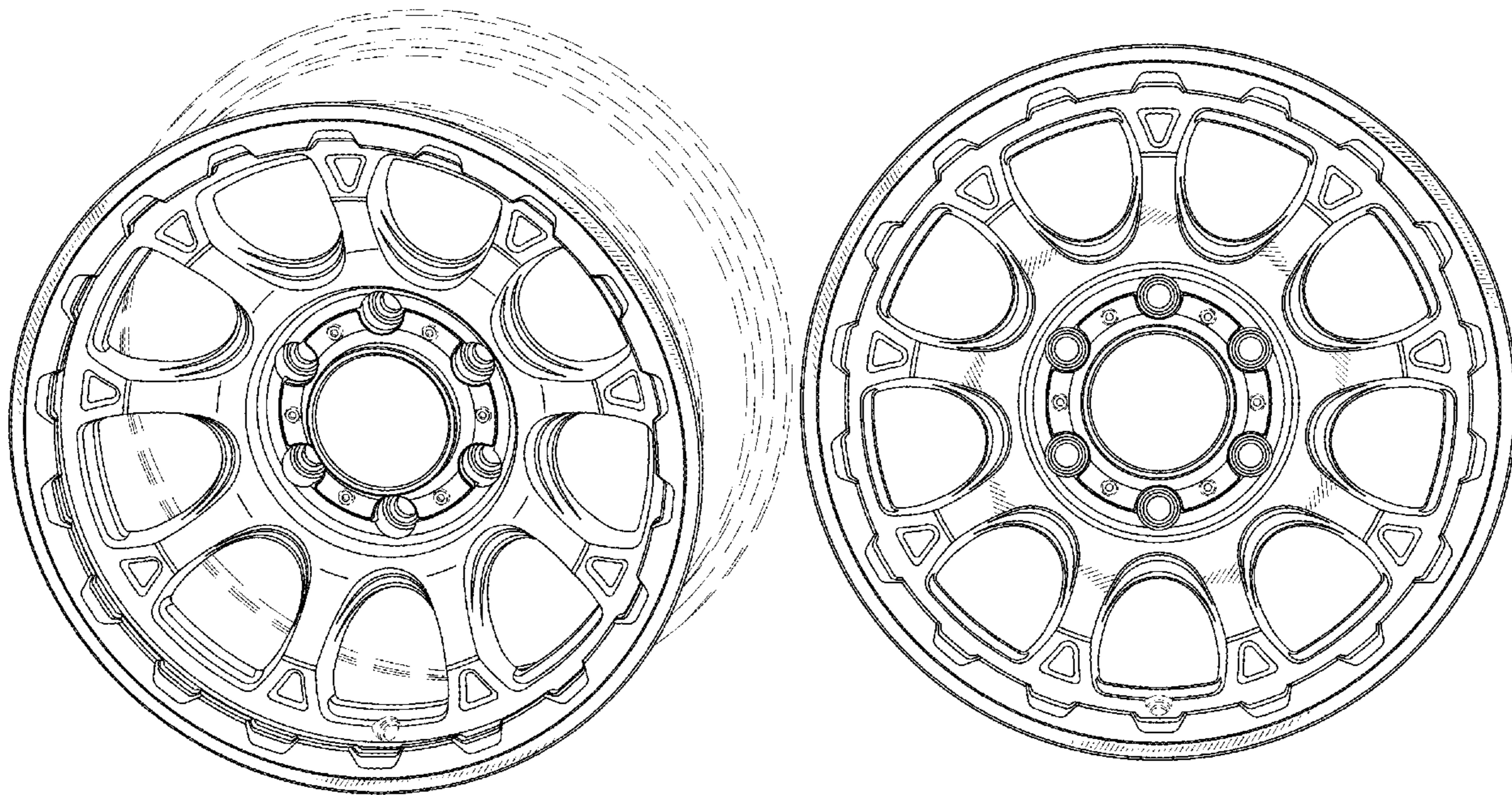
(57) **CLAIM**

The ornamental design for a wheel front face, as shown and described.

DESCRIPTION

FIG. 1 is a perspective view of a wheel front face showing a new design. FIG. 2 is a front view of the wheel front face of FIG. 1; and, FIG. 3 is a side view of the wheel front face of FIG. 1. In the drawings, the surface shadings are for illustrative purposes only, and form no part of the claim. In the drawings the broken lines depict portions of the wheel that form no part of the claimed design.

1 Claim, 3 Drawing Sheets



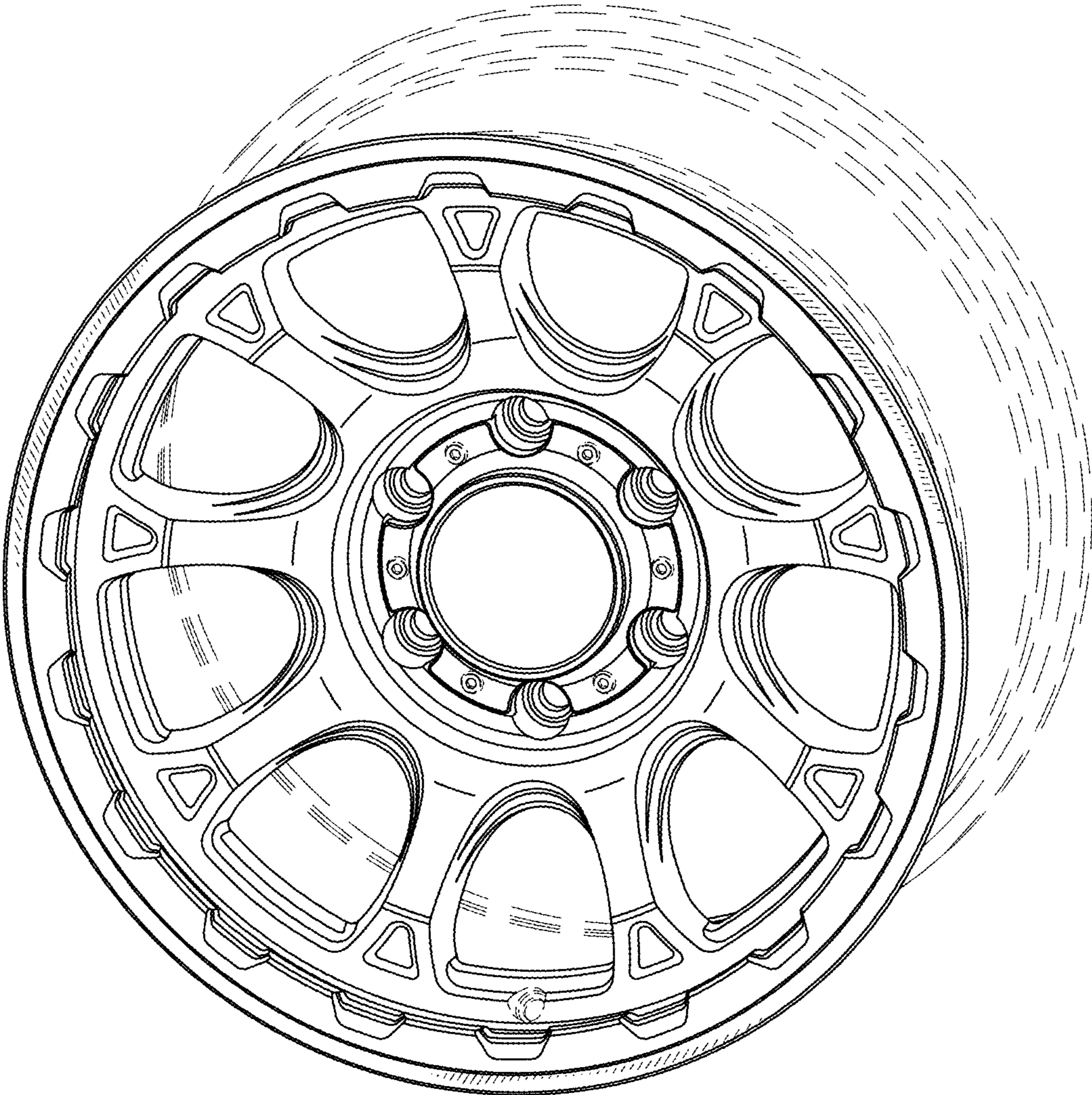


FIG. 1

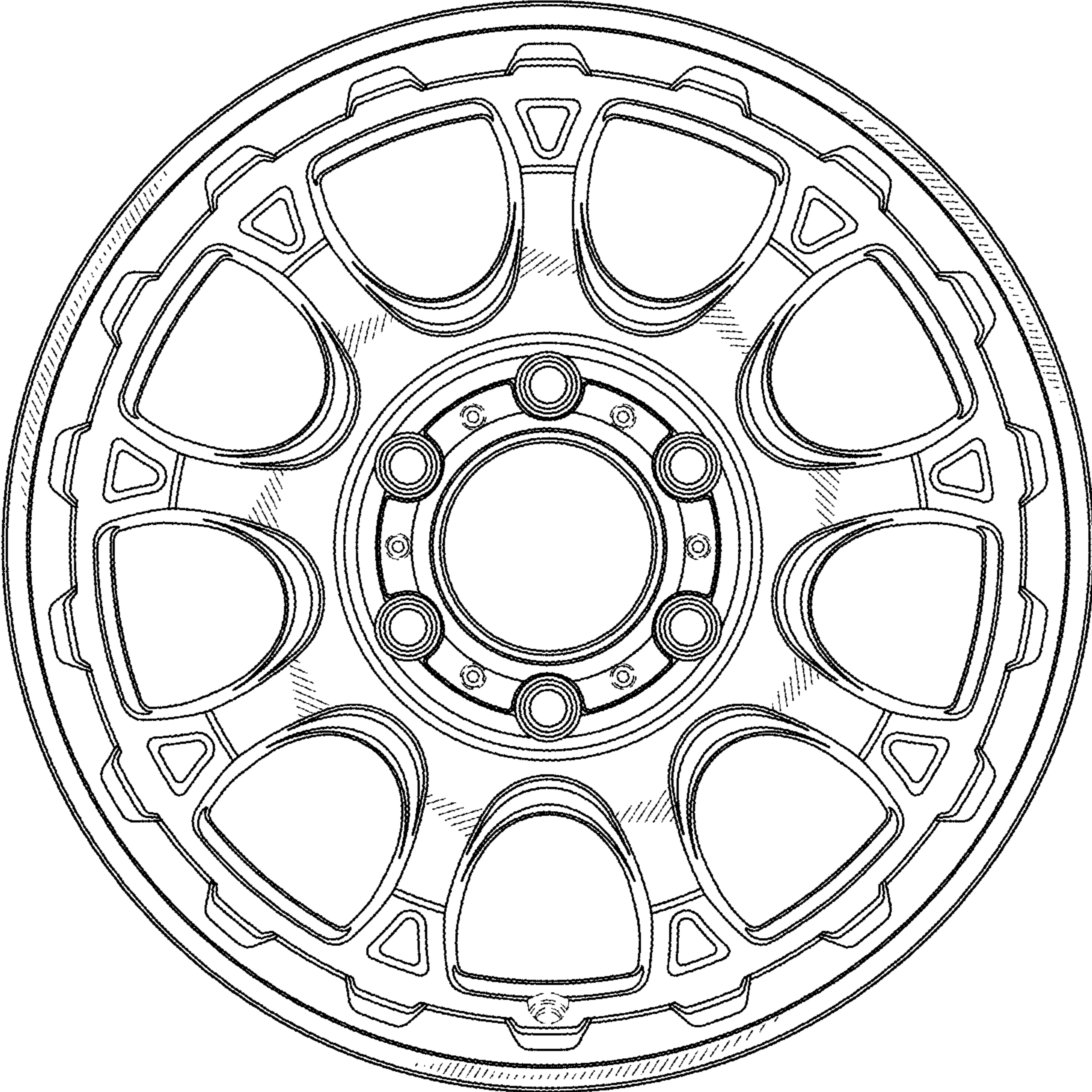


FIG. 2

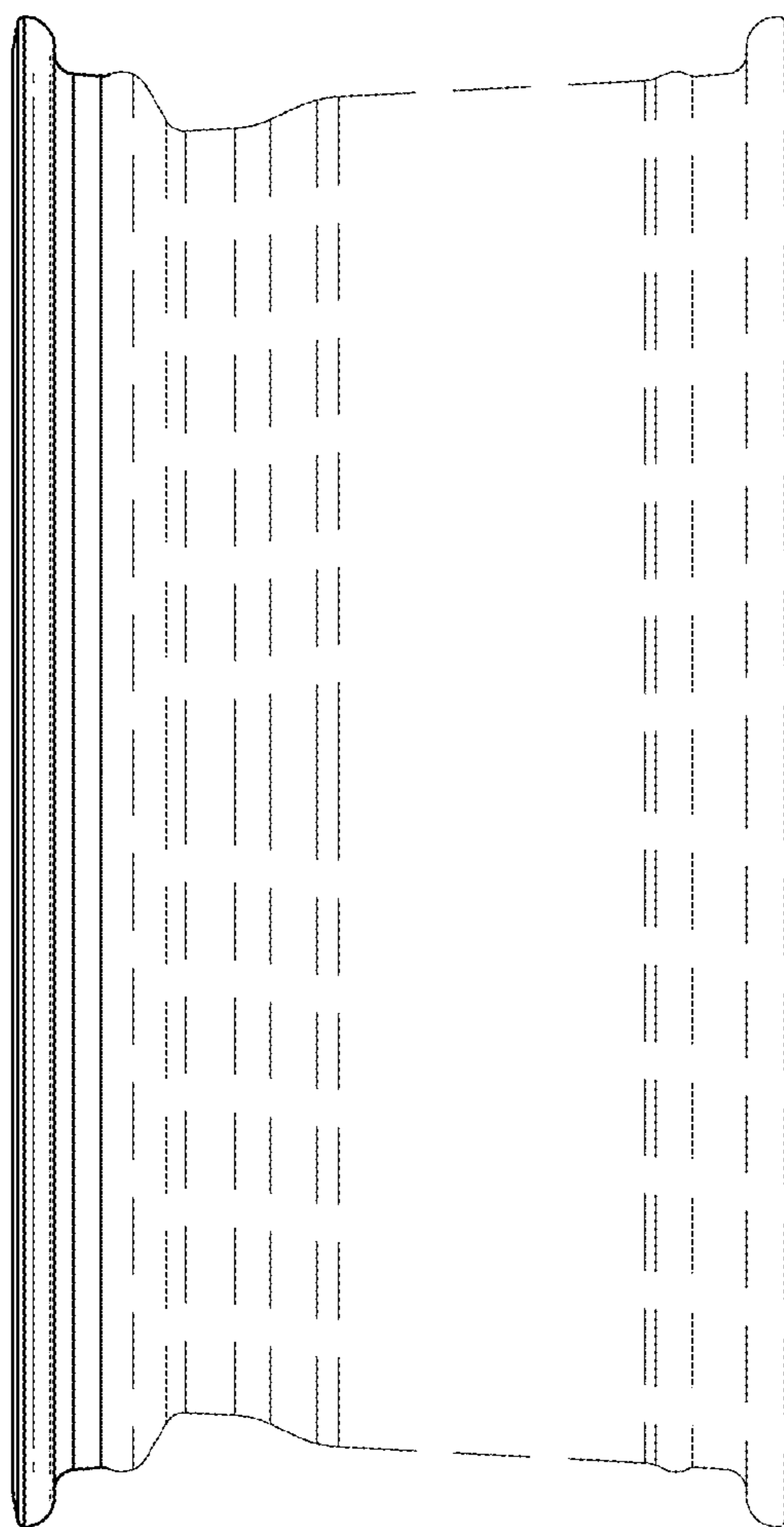


FIG. 3