



US00D937735S

(12) **United States Design Patent**  
**Podlovits**

(10) **Patent No.:** **US D937,735 S**

(45) **Date of Patent:** **\*\* Dec. 7, 2021**

(54) **WHEEL FRONT FACE**

(71) Applicant: **Joseph F. Podlovits**, Brea, CA (US)

(72) Inventor: **Joseph F. Podlovits**, Brea, CA (US)

(73) Assignee: **WHEEL GROUP HOLDINGS, LLC**,  
Ontario, CA (US)

(\*\*) Term: **15 Years**

(21) Appl. No.: **29/753,734**

(22) Filed: **Oct. 1, 2020**

(51) **LOC (13) Cl.** ..... **12-16**

(52) **U.S. Cl.**  
USPC ..... **D12/209**

(58) **Field of Classification Search**  
USPC ..... D12/204–213; D21/563  
CPC .... B60B 7/00; B60B 7/02; B60B 7/04; B60B  
7/01; B60B 7/06; B60B 3/02; B60B 3/04;  
B60B 3/06; B60B 3/10; B60B 1/00;  
B60B 1/08; B60B 1/10; B60B 1/12  
See application file for complete search history.

(56) **References Cited**

**U.S. PATENT DOCUMENTS**

D288,086 S \* 2/1987 Envall ..... D12/209  
D363,457 S \* 10/1995 Coddington ..... D12/209

D384,629 S \* 10/1997 Nagashima ..... D12/209  
D387,724 S \* 12/1997 Chung ..... D12/209  
D520,434 S \* 5/2006 Fahr-Becker ..... D12/211  
D659,063 S \* 5/2012 Johnson ..... D12/209  
D783,495 S \* 4/2017 Hale, Jr. .... D12/209  
D883,168 S \* 5/2020 Sempek ..... D12/209  
D904,962 S \* 12/2020 Lee ..... D12/209  
D906,924 S \* 1/2021 Liu ..... D12/209  
D910,524 S \* 2/2021 Han ..... D12/209  
D913,897 S \* 3/2021 VanRyn ..... D12/209  
D928,059 S \* 8/2021 Han ..... D12/209  
D929,289 S \* 8/2021 Chartier ..... D12/209

\* cited by examiner

*Primary Examiner* — Stacia A Cadmus

(74) *Attorney, Agent, or Firm* — Law Offices of S.J.  
Christine Yang

(57) **CLAIM**

The ornamental design for a wheel front face, as shown and described.

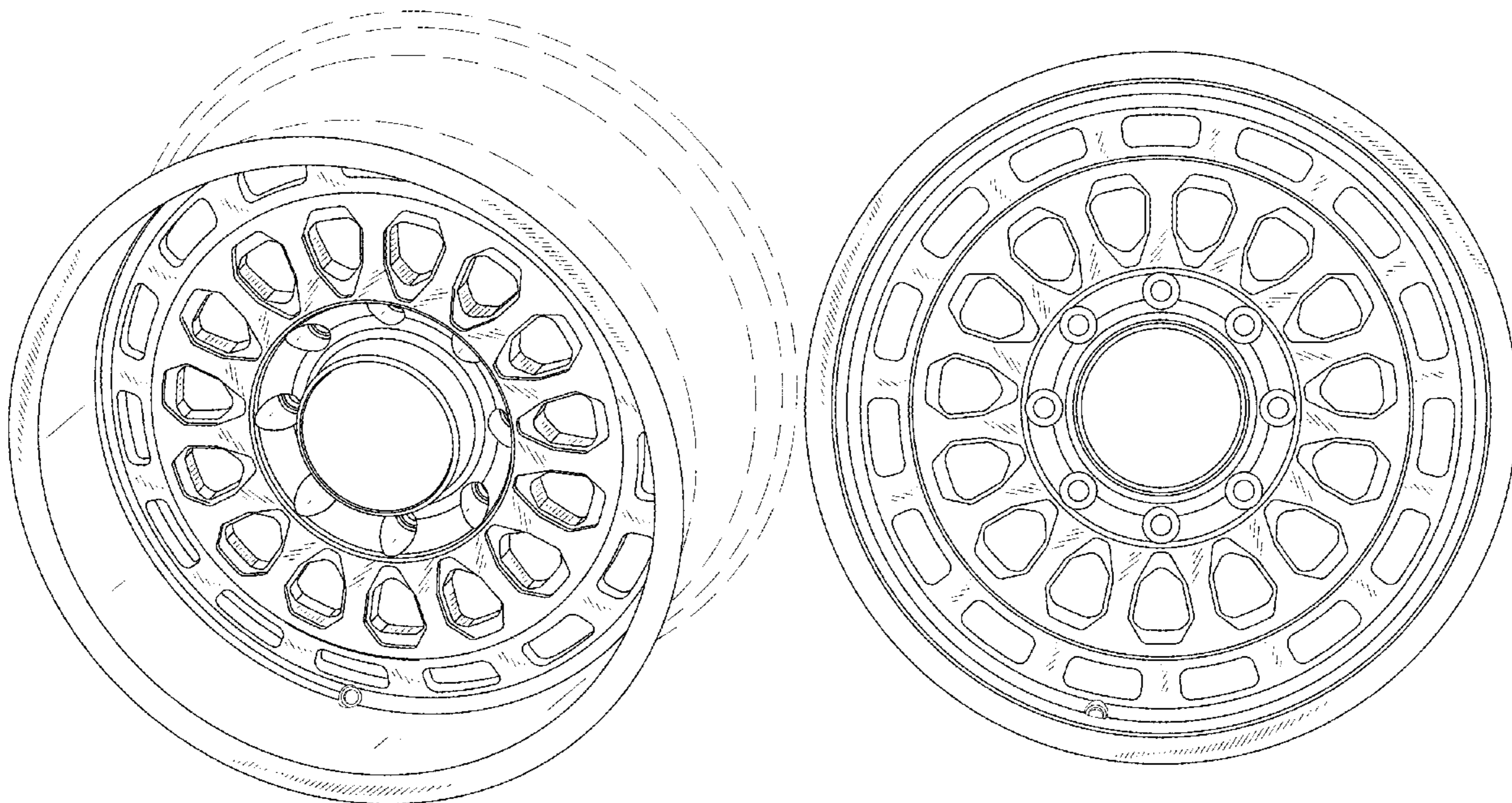
**DESCRIPTION**

FIG. 1 is a perspective view of a wheel front face showing a new design.

FIG. 2 is a front view of the wheel front face of FIG. 1; and, FIG. 3 is a side view of the wheel front face of FIG. 1.

In the drawings the broken lines depict portions of the wheel that form no part of the claimed design.

**1 Claim, 3 Drawing Sheets**



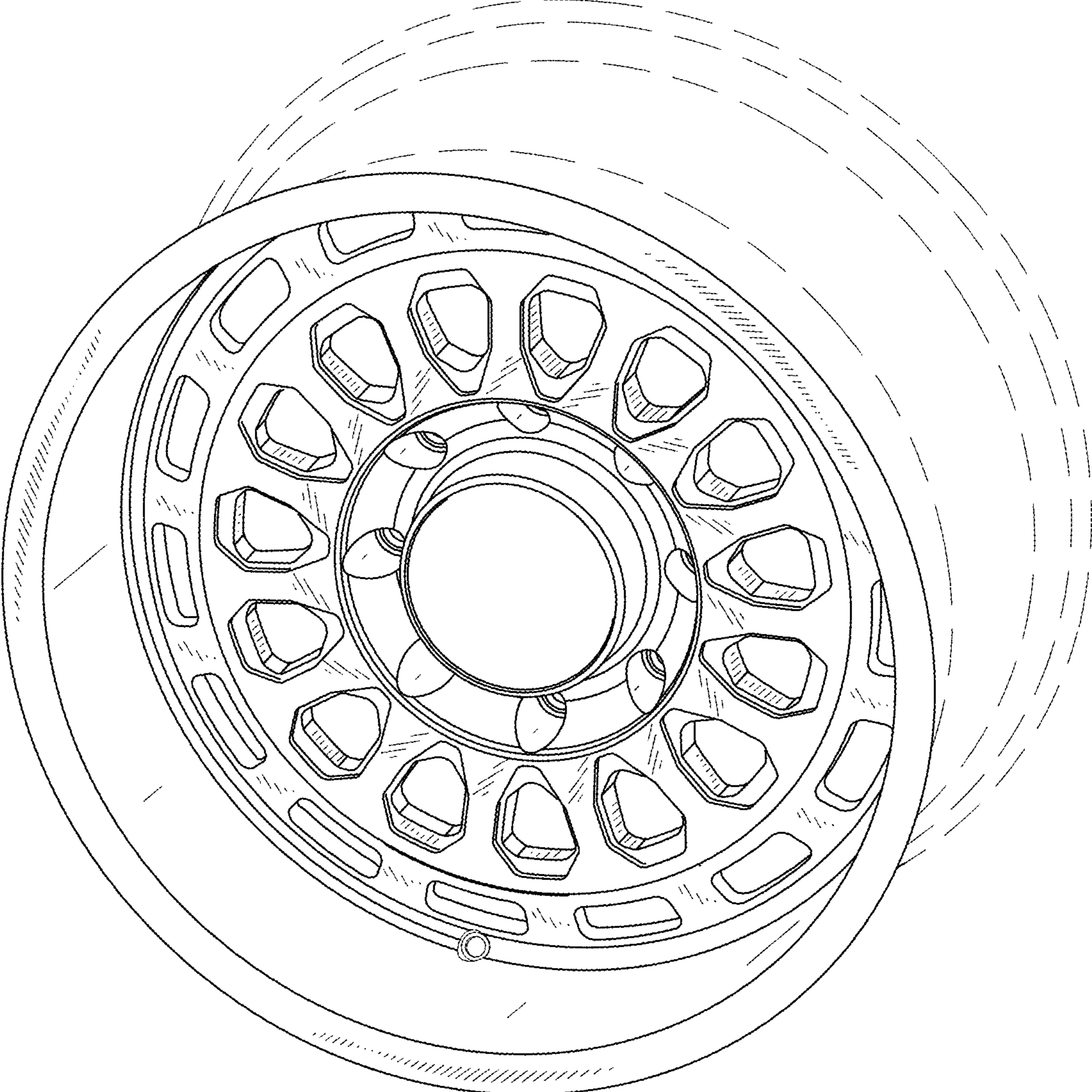


FIG. 1

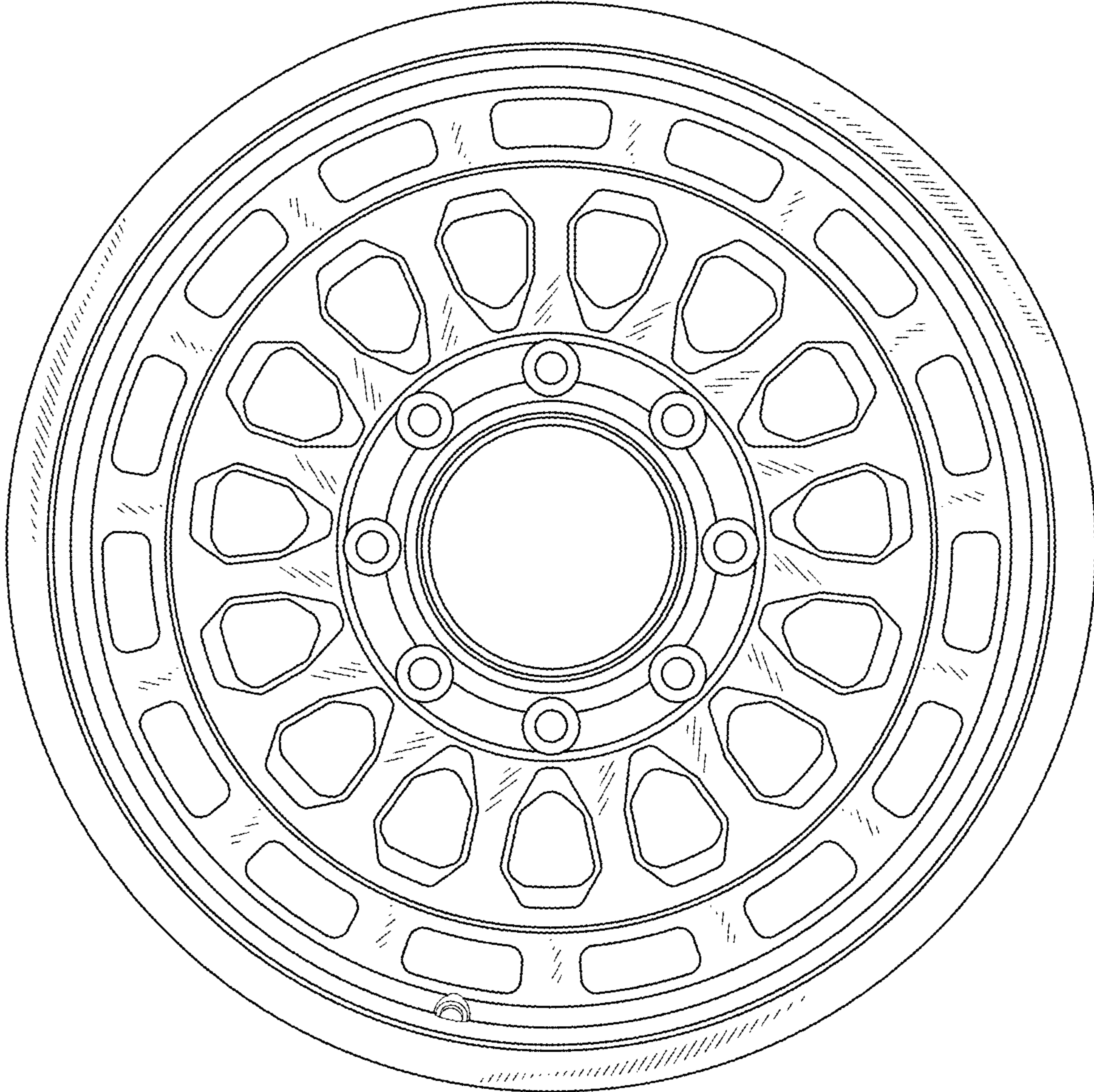


FIG. 2

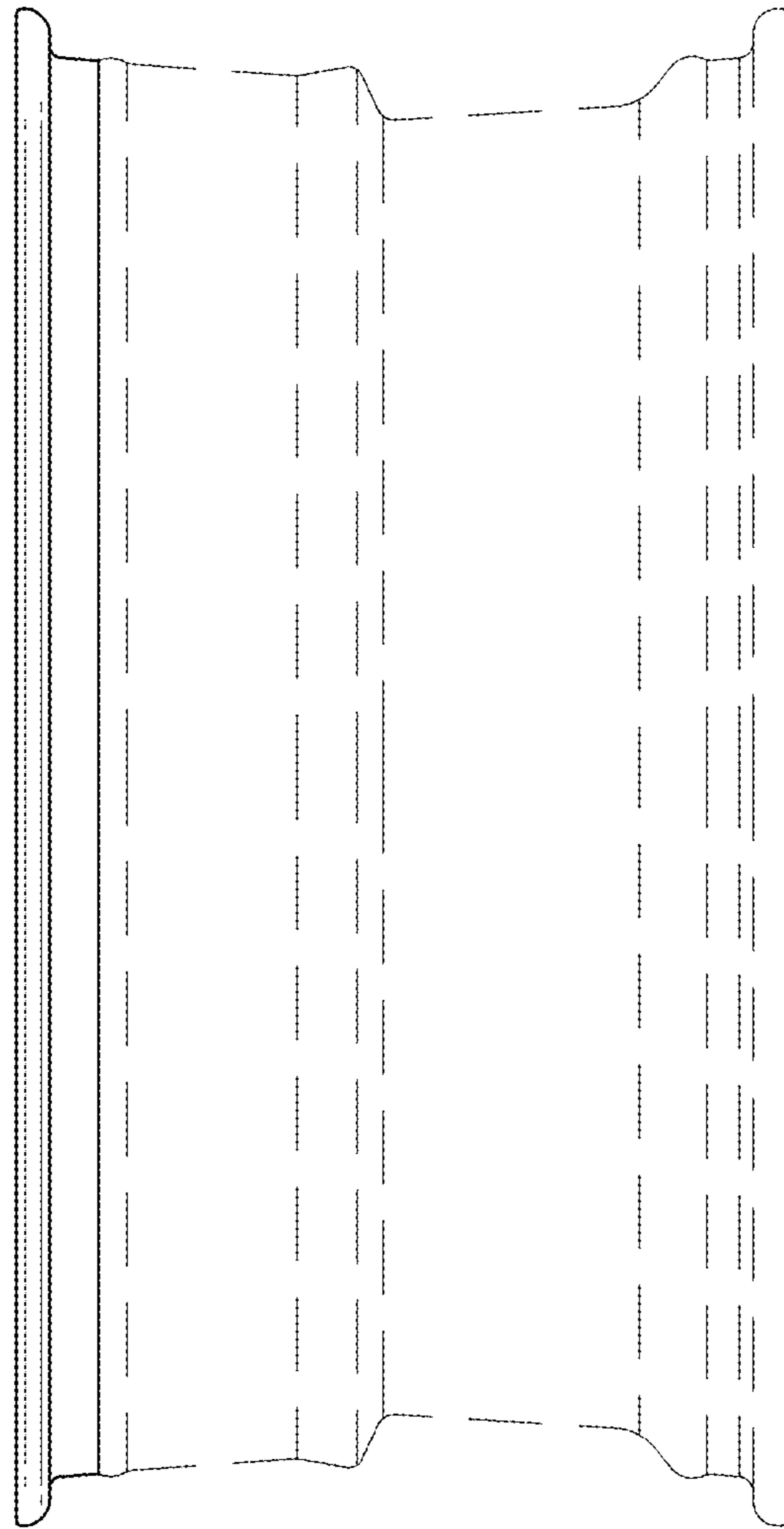


FIG. 3