



US00D937734S

(12) **United States Design Patent**
Podlovits

(10) **Patent No.:** **US D937,734 S**

(45) **Date of Patent:** **** Dec. 7, 2021**

(54) **WHEEL FRONT FACE**

(71) Applicant: **Joseph F. Podlovits**, Brea, CA (US)

(72) Inventor: **Joseph F. Podlovits**, Brea, CA (US)

(73) Assignee: **WHEEL GROUP HOLDINGS, LLC**,
Ontario, CA (US)

(**) Term: **15 Years**

(21) Appl. No.: **29/753,701**

(22) Filed: **Oct. 1, 2020**

(51) **LOC (13) Cl.** **12-16**

(52) **U.S. Cl.**
USPC **D12/209**

(58) **Field of Classification Search**
USPC D12/204–213; D21/563
CPC B60B 7/00; B60B 7/02; B60B 7/04; B60B
7/01; B60B 7/06; B60B 3/02; B60B 3/04;
B60B 3/06; B60B 3/10; B60B 1/00;
B60B 1/08; B60B 1/10; B60B 1/12
See application file for complete search history.

(56) **References Cited**

U.S. PATENT DOCUMENTS

D384,629 S * 10/1997 Nagashima D12/209
D429,206 S * 8/2000 Ito D12/211

D454,827 S * 3/2002 Pfeiffer D12/211
D824,835 S * 8/2018 Ferrett D12/211
D885,285 S * 5/2020 Bernoni D12/209
D892,705 S * 8/2020 Wittinger D12/211
D897,921 S * 10/2020 Kafantaris D12/209
D910,524 S * 2/2021 Han D12/209
D915,989 S * 4/2021 Hans D12/209
D923,547 S * 6/2021 Hans D12/211
D926,099 S * 7/2021 Yeh D12/209

* cited by examiner

Primary Examiner — Stacia A Cadmus

(74) *Attorney, Agent, or Firm* — Law Offices of S.J.
Christine Yang

(57) **CLAIM**

The ornamental design for a wheel front face, as shown and described.

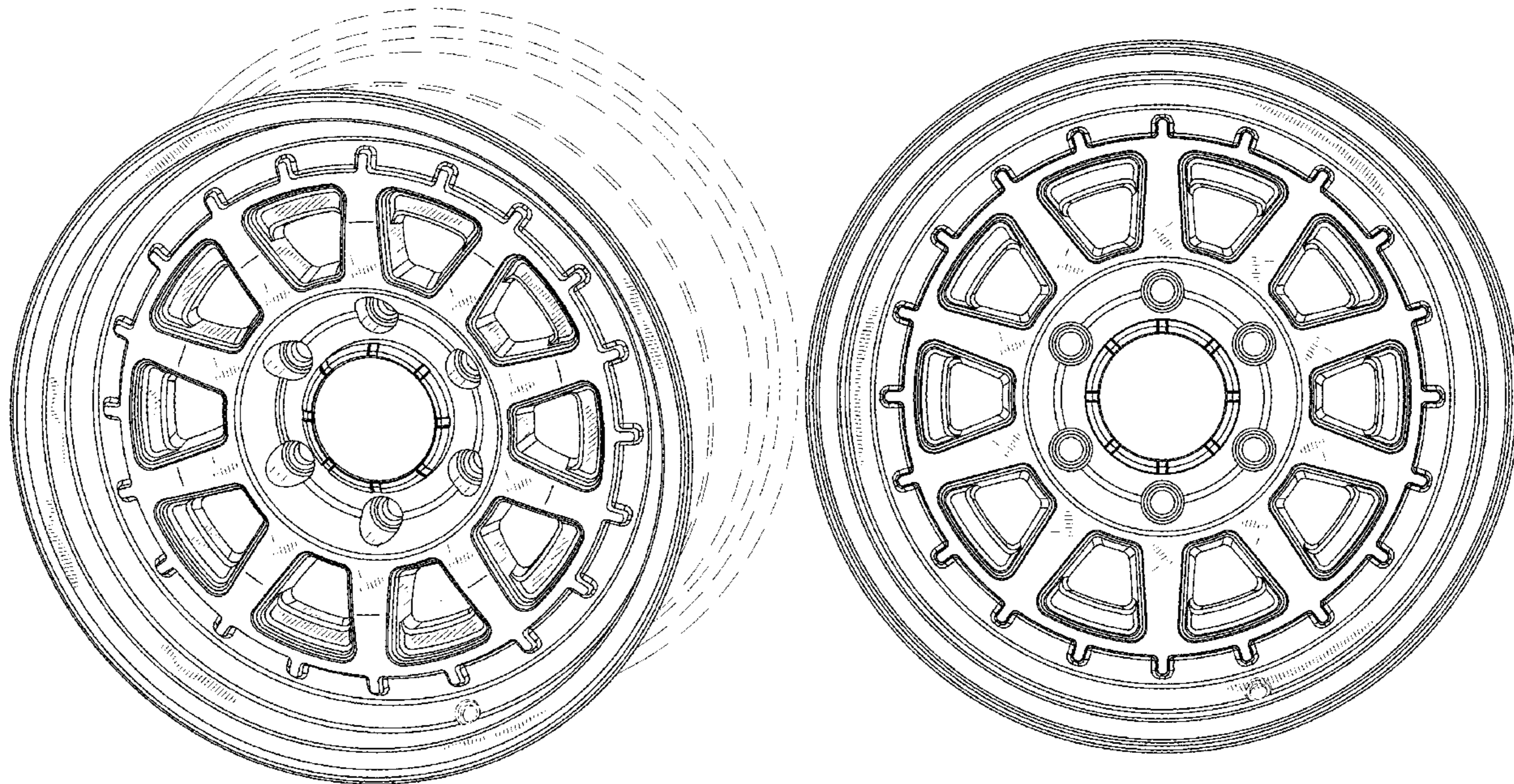
DESCRIPTION

FIG. 1 is a perspective view of a wheel front face showing a new design.

FIG. 2 is a front view of the wheel front face of FIG. 1; and, FIG. 3 is a side view of the wheel front face of FIG. 1.

In the drawings the broken lines depict portions of the wheel that form no part of the claimed design.

1 Claim, 3 Drawing Sheets



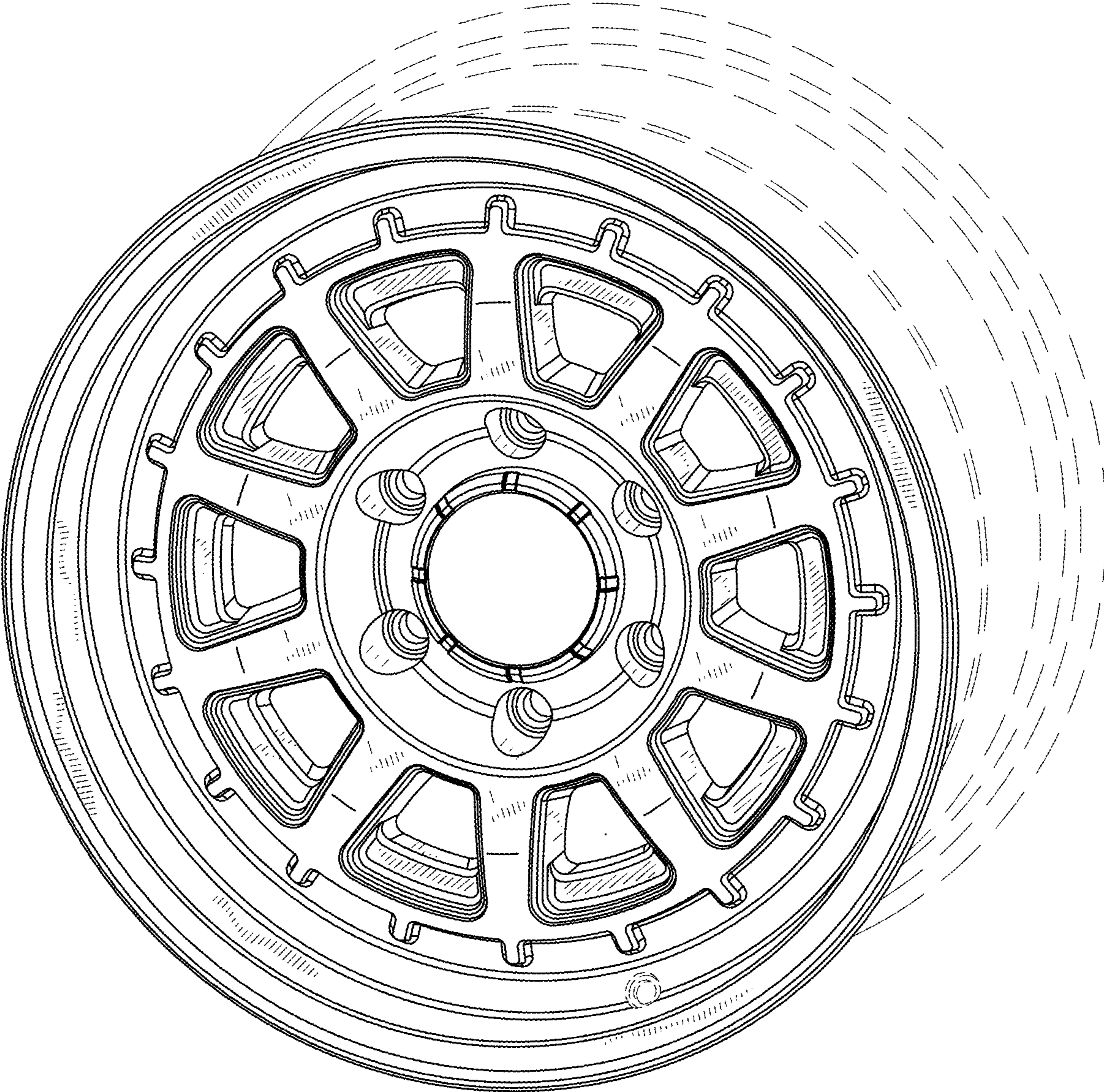


FIG. 1

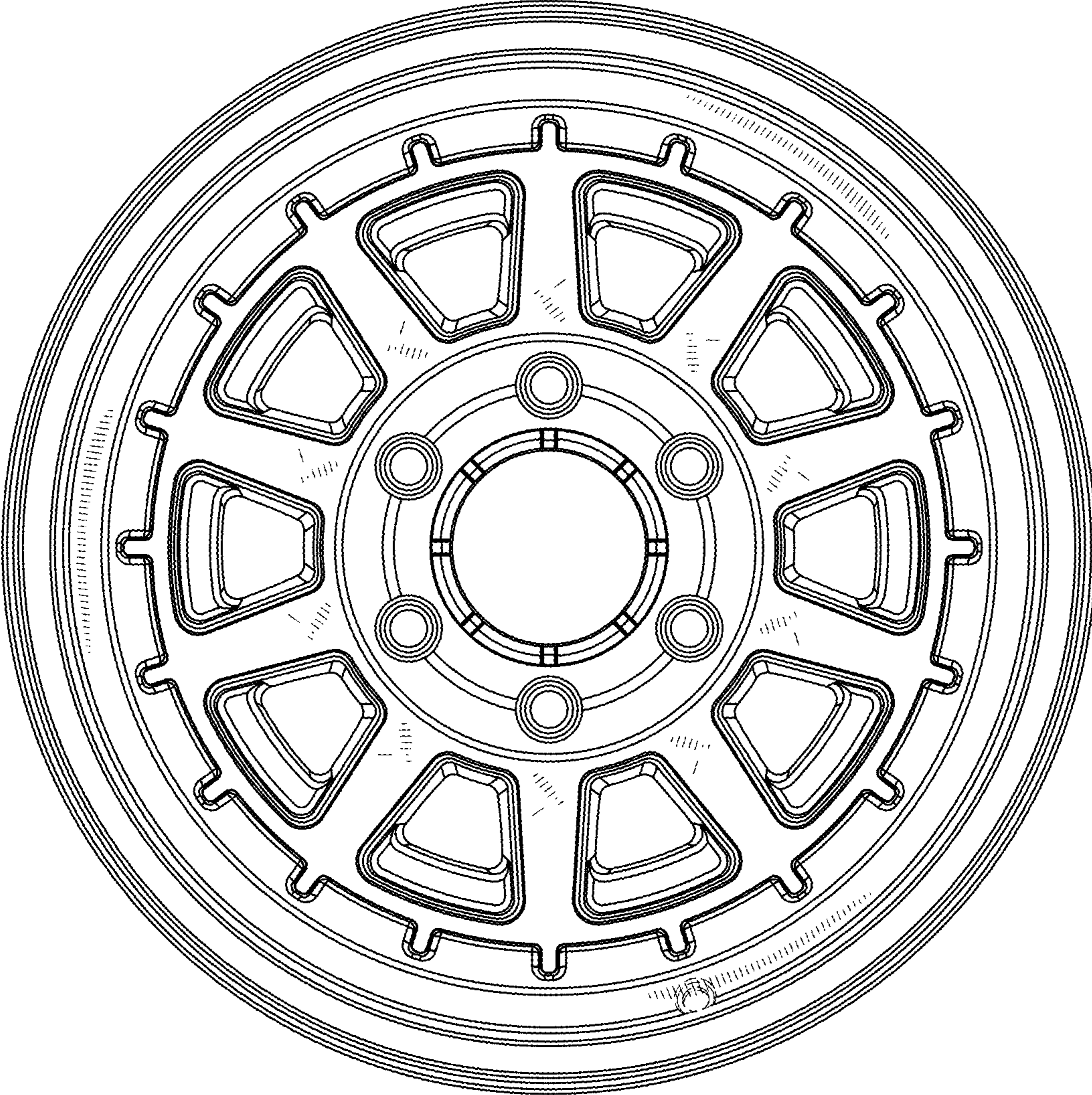


FIG. 2

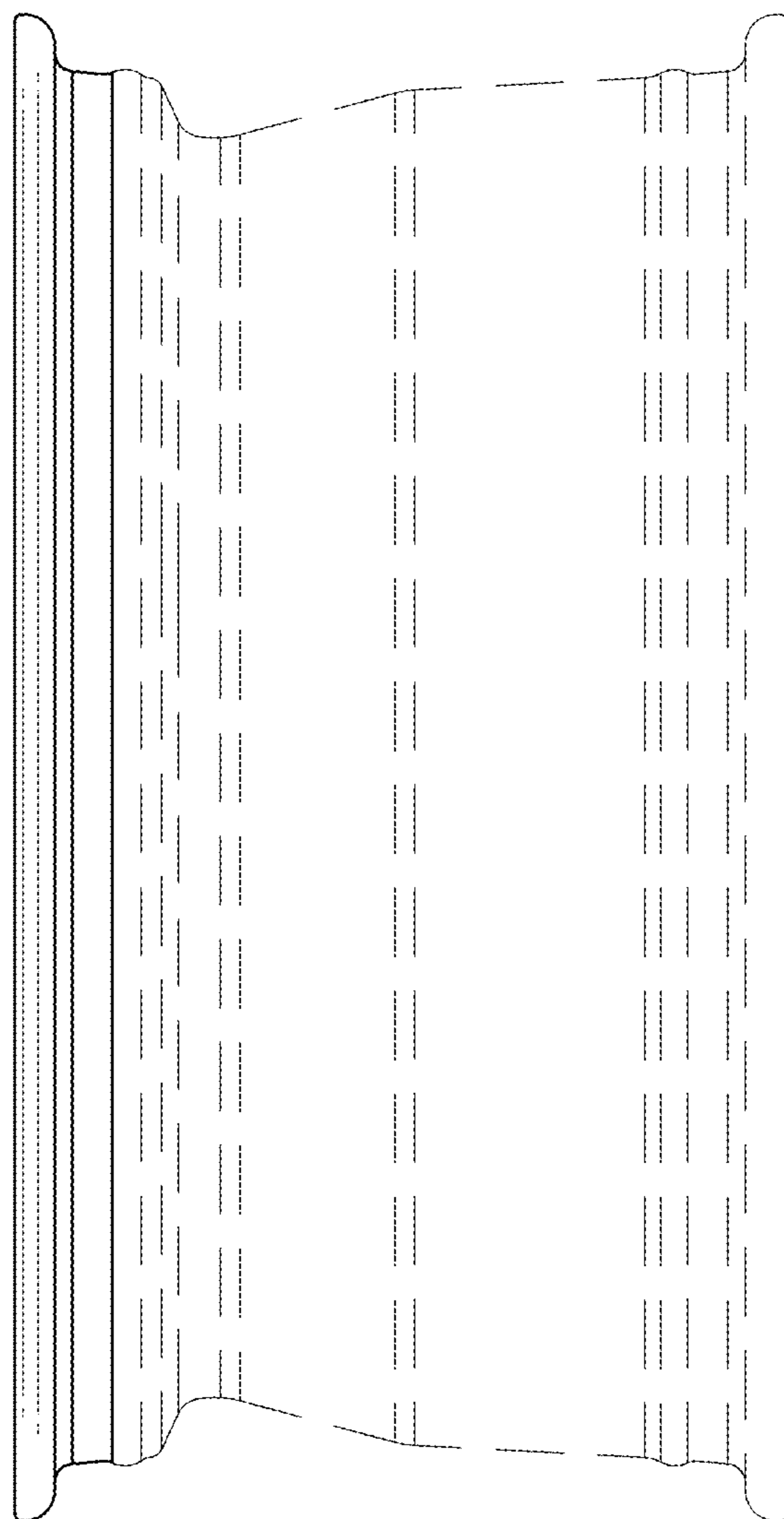


FIG. 3