



US00D937731S

(12) **United States Design Patent** (10) **Patent No.:** **US D937,731 S**
Bjerke (45) **Date of Patent:** **** Dec. 7, 2021**

(54) **VEHICLE RIM**
(71) Applicant: **VOLVO CAR CORPORATION,**
Gothenburg (SE)
(72) Inventor: **Ole-Kristian Bjerke,** Gothenburg (SE)
(73) Assignee: **VOLVO CAR CORPORATION,**
Gothenburg (SE)
(**) Term: **15 Years**
(21) Appl. No.: **29/741,913**
(22) Filed: **Jul. 16, 2020**

D768,553 S * 10/2016 Ishii D12/209
D783,491 S * 4/2017 Pollex D12/209
D783,492 S * 4/2017 Pollex D12/209
D792,306 S * 7/2017 Ishigaki D12/209
D818,926 S * 5/2018 Miyazawa D12/209
D827,545 S * 9/2018 Kawaguchi D12/209
D835,561 S * 12/2018 Hayashi D12/209
D837,714 S * 1/2019 Beaven D12/209
D838,651 S * 1/2019 Kato D12/209
D838,652 S * 1/2019 Kato D12/209
D848,336 S * 5/2019 Holly D12/209
D848,338 S * 5/2019 Tovey D12/209
D860,909 S * 9/2019 Pollex D12/209
D860,910 S * 9/2019 Daniel D12/209
D862,352 S * 10/2019 Bjerke D12/209
D864,832 S * 10/2019 Schell D12/209
D870,634 S * 12/2019 Tovey D12/209
D871,998 S * 1/2020 Liu D12/209

(30) **Foreign Application Priority Data**
Jan. 31, 2020 (EM) 007574512-0004
(51) **LOC (13) Cl.** **12-16**
(52) **U.S. Cl.**
USPC **D12/209**
(58) **Field of Classification Search**
USPC D12/204-213; D21/563
CPC B60B 7/00; B60B 7/02; B60B 7/04; B60B
7/06; B60B 3/02; B60B 3/04; B60B 3/06;
B60B 3/10; B60B 1/00; B60B 1/08;
B60B 1/10; B60B 1/12
See application file for complete search history.

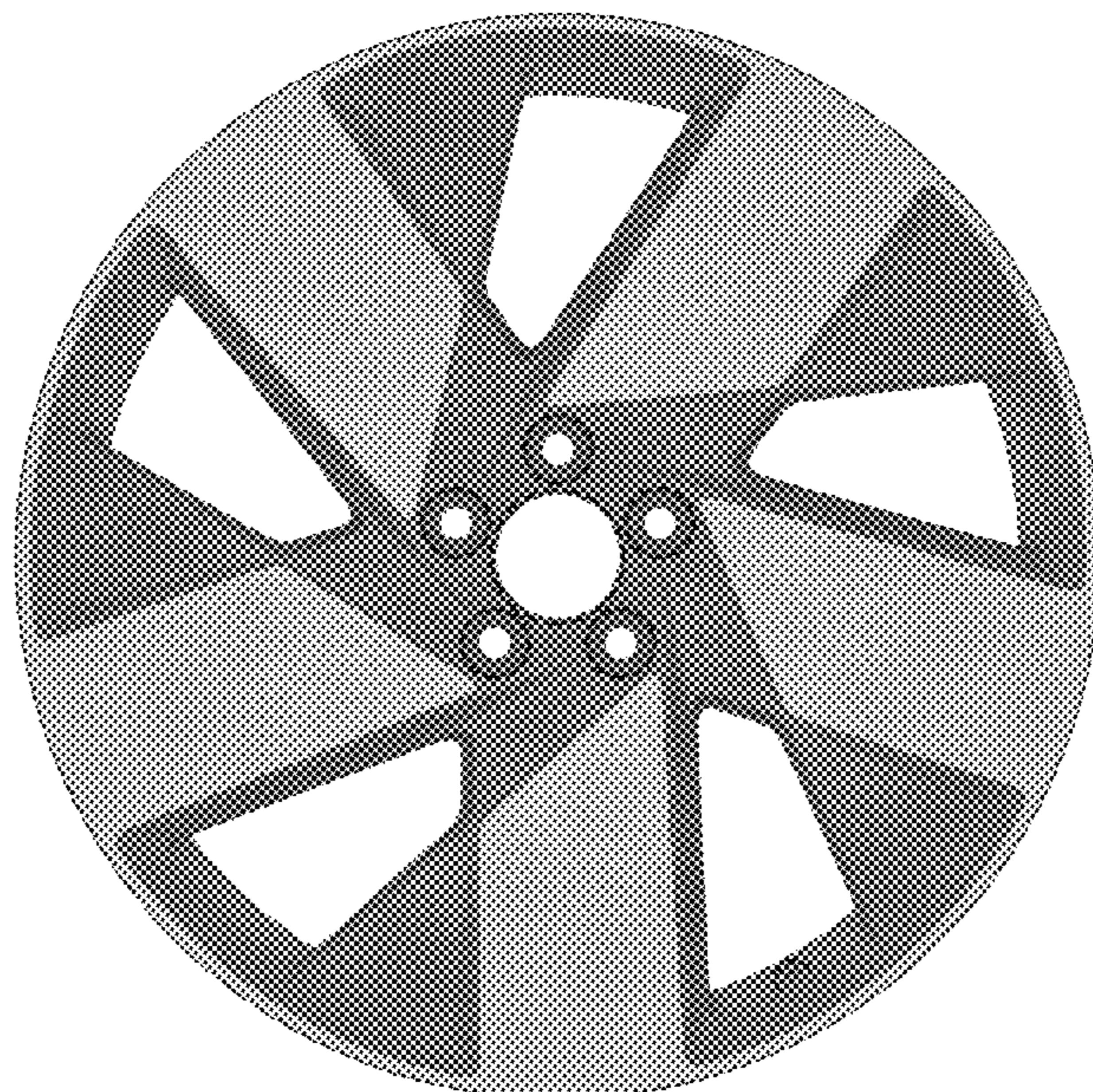
* cited by examiner
Primary Examiner — Michelle E. Wilson
Assistant Examiner — Clese Moore, Jr.
(74) *Attorney, Agent, or Firm* — Berenato & White, LLC

(56) **References Cited**
U.S. PATENT DOCUMENTS
D455,991 S * 4/2002 Kaucher D12/209
D581,337 S * 11/2008 Juergens D12/209
D631,812 S * 2/2011 Juergens D12/209
D652,361 S * 1/2012 Forschner D12/209
D695,191 S * 12/2013 Kogawa D12/209
D723,989 S * 3/2015 Morikawa D12/209
D744,401 S * 12/2015 Back D12/209
D744,927 S * 12/2015 Morgenstern D12/209

(57) **CLAIM**
The ornamental design for a vehicle rim, as shown.

DESCRIPTION
FIG. 1 is a front view of a vehicle rim showing my new design;
FIG. 2 is a right perspective view thereof;
FIG. 3 is a left perspective view thereof;
FIG. 4 is a right side view thereof;
FIG. 5 is a left side view thereof;
FIG. 6 is a rear view thereof;
FIG. 7 is a top view thereof; and,
FIG. 8 is a bottom view thereof.
The broken lines illustrate portions of the vehicle rim that form no part of the claimed design.

1 Claim, 8 Drawing Sheets



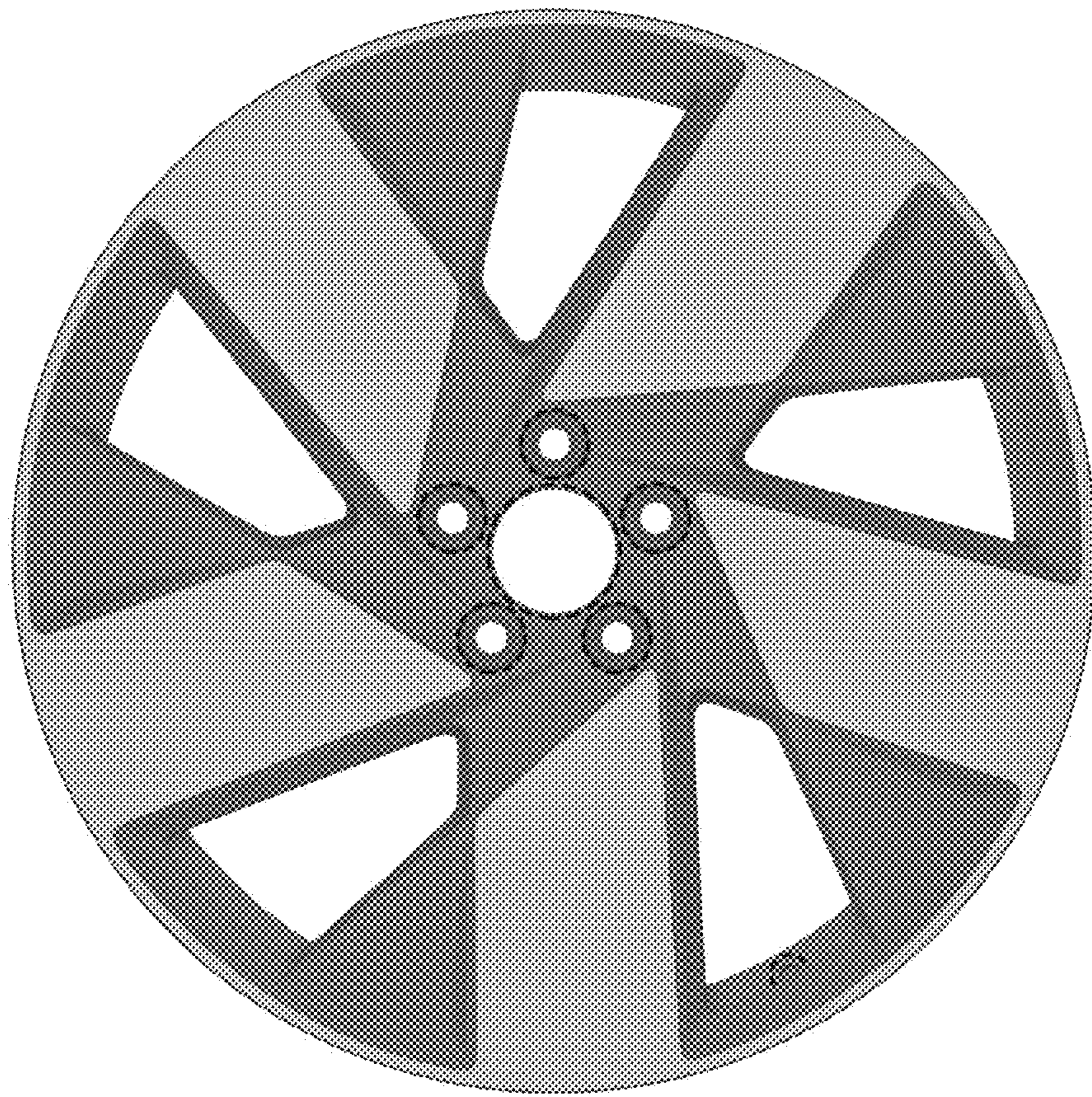


FIG. 1



FIG. 2



FIG. 3

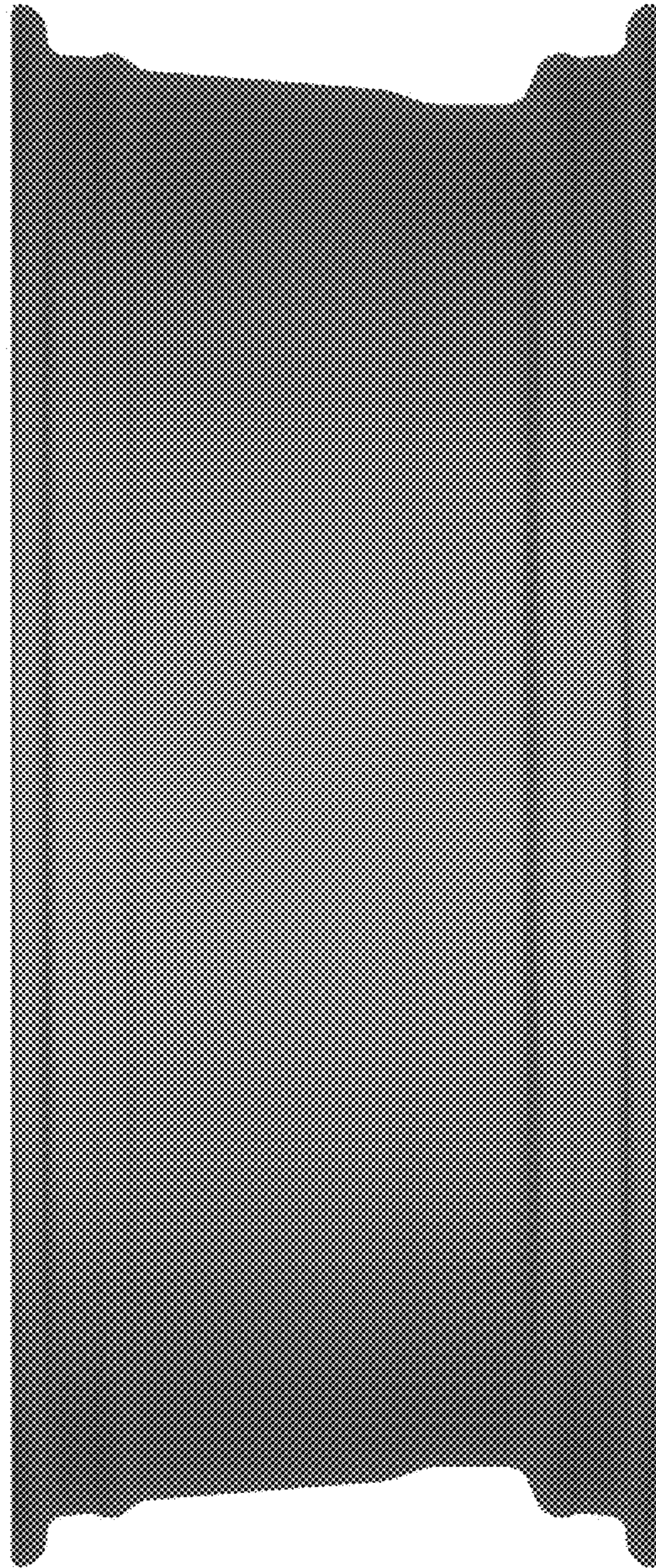


FIG. 4

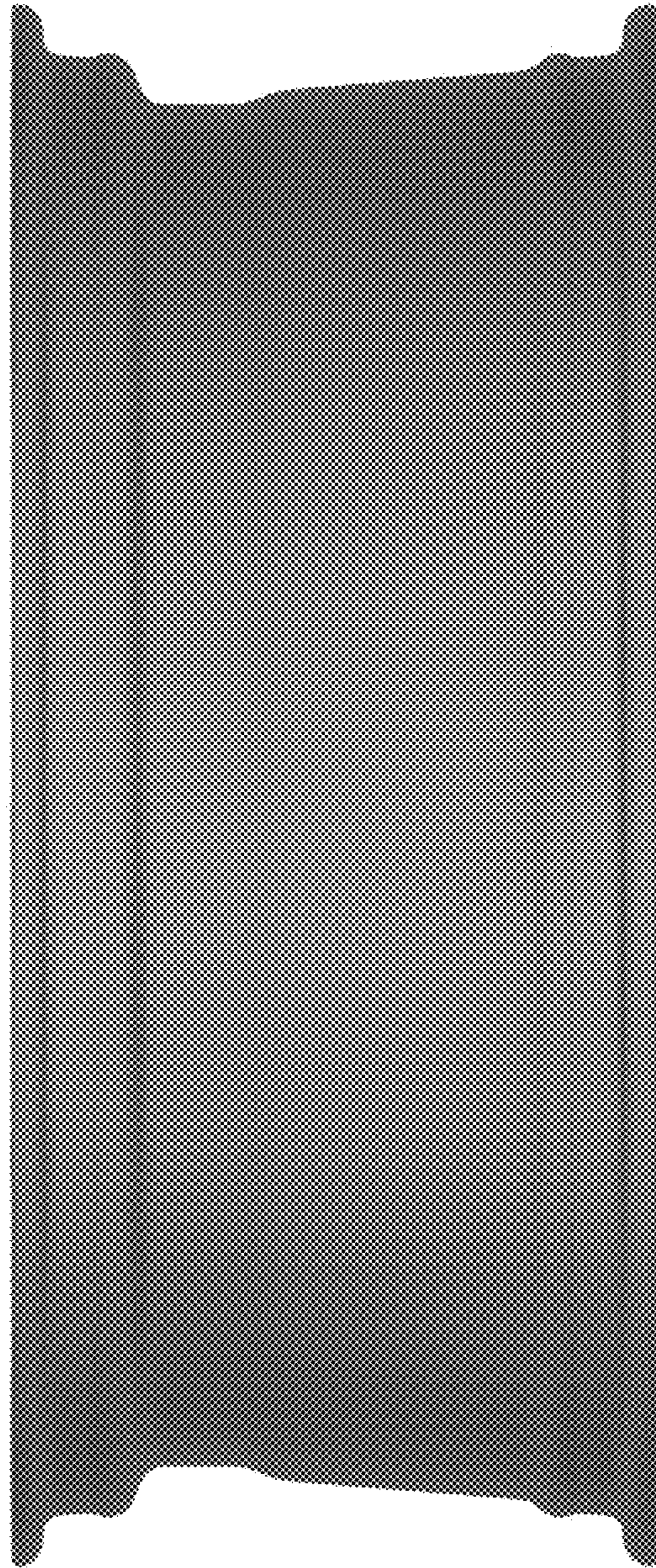


FIG. 5



FIG. 6

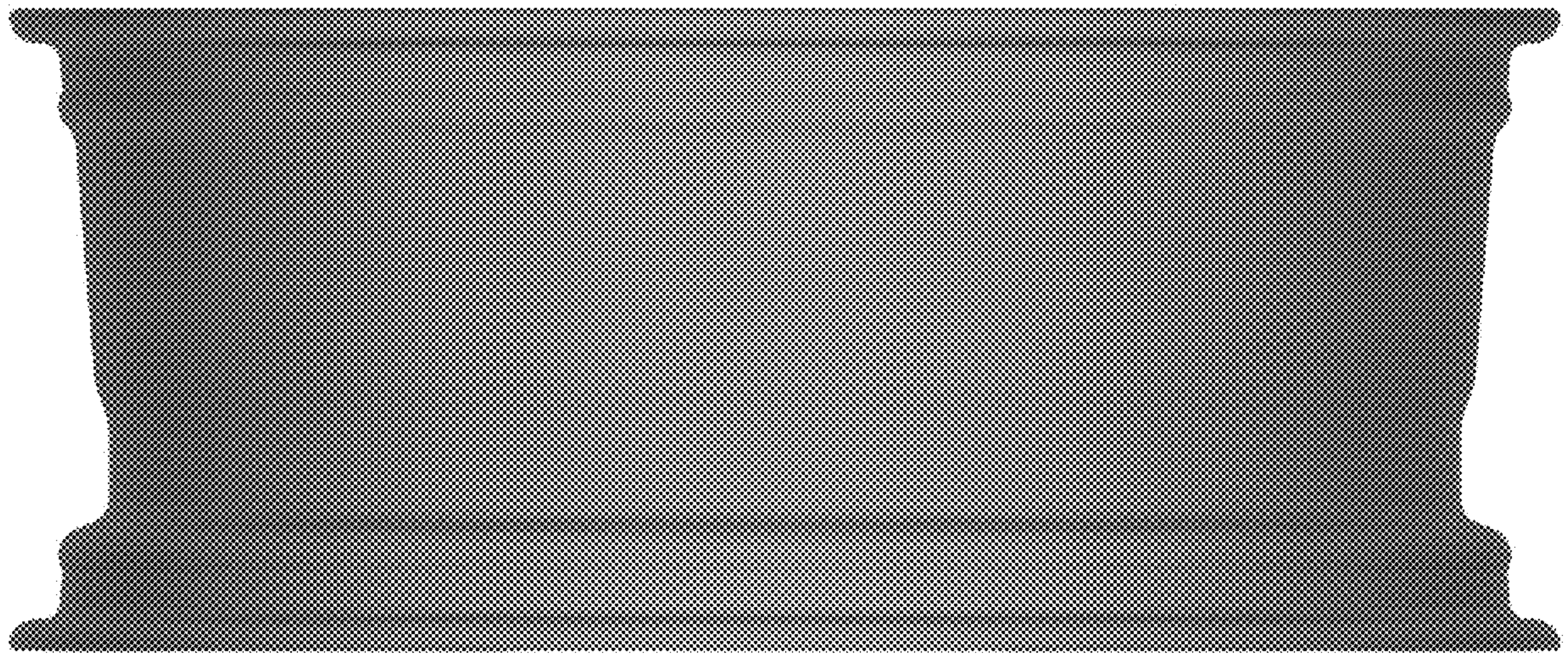


FIG. 7

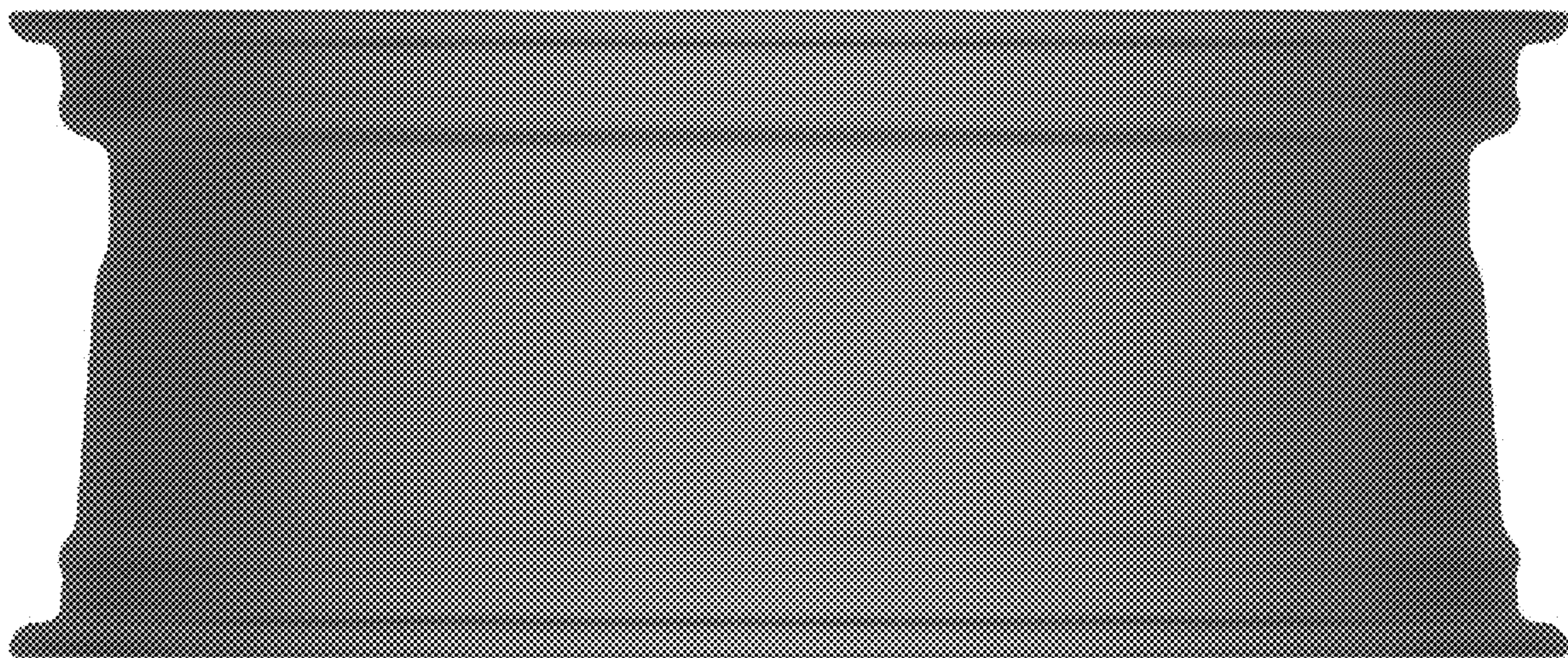


FIG. 8