



US00D937727S

(12) **United States Design Patent**
Ding

(10) **Patent No.:** **US D937,727 S**

(45) **Date of Patent:** **** Dec. 7, 2021**

(54) **CAR DOOR**

(71) Applicant: **Human Horizons Holdings Co., Ltd.**,
Shanghai (CN)

(72) Inventor: **Lei Ding**, Shanghai (CN)

(73) Assignee: **Human Horizons (Jiangsu)**
Technology Co., Ltd., Jiangsu (CN)

(**) Term: **15 Years**

(21) Appl. No.: **29/683,464**

(22) Filed: **Mar. 13, 2019**

(30) **Foreign Application Priority Data**

Sep. 13, 2018 (CN) 201830516118.9

(51) **LOC (13) Cl.** **12-16**

(52) **U.S. Cl.**
USPC **D12/196**

(58) **Field of Classification Search**
USPC D12/90, 91, 92, 190, 195, 196
(Continued)

(56) **References Cited**

U.S. PATENT DOCUMENTS

D537,397 S * 2/2007 Woodhouse D12/196
D654,418 S * 2/2012 Hakamata D12/196
(Continued)

Primary Examiner — Joseph Kukella

(74) *Attorney, Agent, or Firm* — Akerman LLP

(57) **CLAIM**

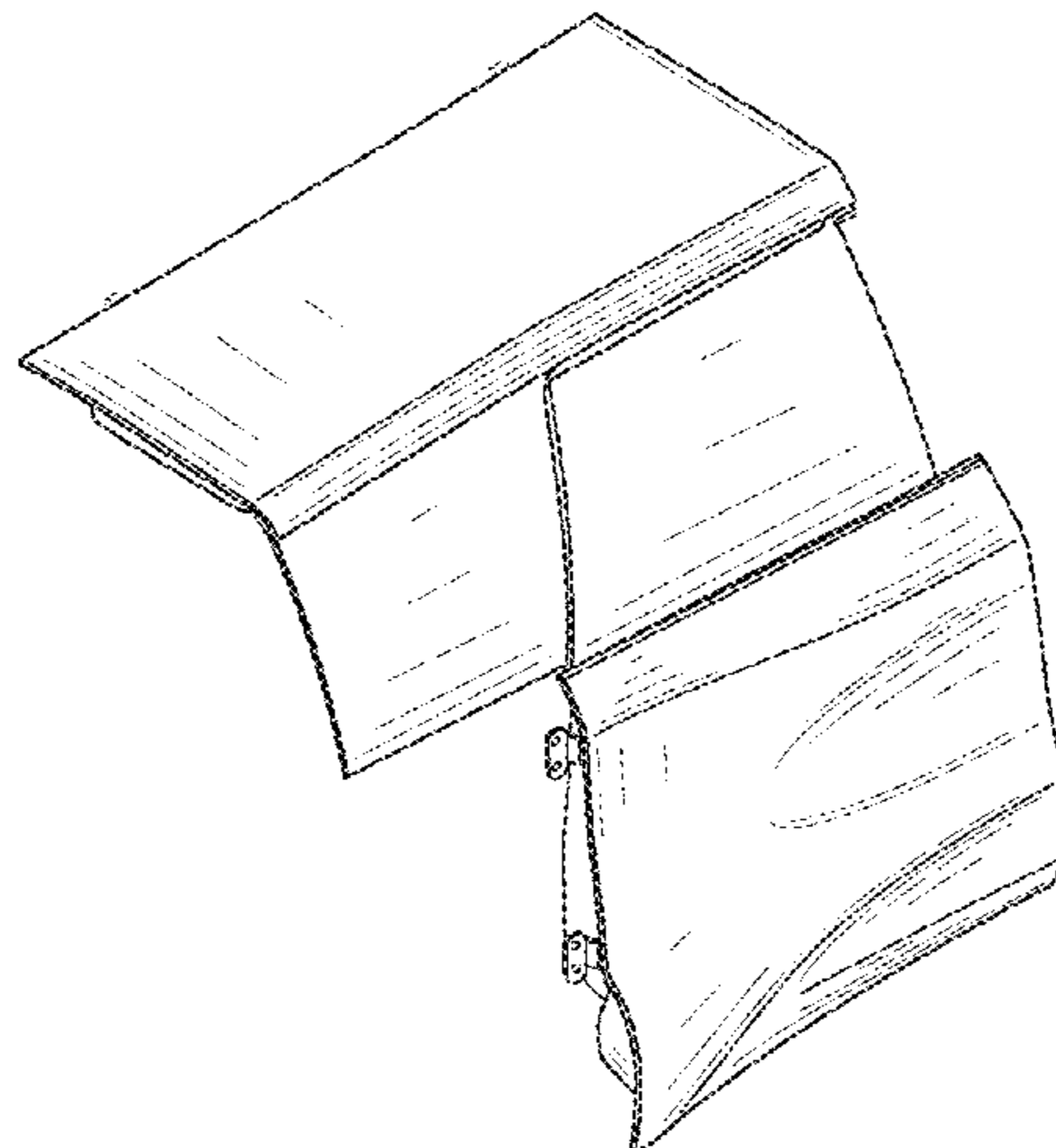
The ornamental design for a car door, as shown and described.

DESCRIPTION

FIG. 1 is a front view of the car door according to our design;
FIG. 2 is a rear view of the car door of FIG. 1;

FIG. 3 is a left view of the car door of FIG. 1;
FIG. 4 is a right view of the car door of FIG. 1;
FIG. 5 is a top view of the car door of FIG. 1;
FIG. 6 is a bottom view of the car door of FIG. 1;
FIG. 7 is a perspective view of the car door of FIG. 1;
FIG. 8 is a perspective view of the car door of FIG. 1;
FIG. 9 is an environmental view of the car door of FIG. 1 and showing a front view of an open state;
FIG. 10 is an environmental view of the car door of FIG. 1 and showing a rear view of the open state;
FIG. 11 is an environmental view of the car door of FIG. 1 and showing a left view of the open state;
FIG. 12 is an environmental view of the car door of FIG. 1 and showing a right view of the open state;
FIG. 13 is an environmental view of the car door of FIG. 1 and showing a top view of the open state;
FIG. 14 is an environmental view of the car door of FIG. 1 and showing a bottom view of the open state;
FIG. 15 is an environmental view of the car door of FIG. 1 and showing a perspective view of the open state;
FIG. 16 is an environmental view of the car door of FIG. 1 and showing a perspective view of the open state;
FIG. 17 is a front view of a second embodiment of FIG. 1;
FIG. 18 is a rear view of the car door of FIG. 17;
FIG. 19 is a left view of the car door of FIG. 17;
FIG. 20 is a right view of the car door of FIG. 17;
FIG. 21 is a top view of the car door of FIG. 17;
FIG. 22 is a bottom view of the car door of FIG. 17;
FIG. 23 is a perspective view of the car door of FIG. 17;
FIG. 24 is a perspective view of the car door of FIG. 17;
FIG. 25 is an environmental view of the car door of FIG. 17 and showing a front view of an open state;
FIG. 26 is an environmental view of the car door of FIG. 17 and showing a rear view of the open state;
FIG. 27 is an environmental view of the car door of FIG. 17 and showing a left view of the open state;
FIG. 28 is an environmental view of the car door of FIG. 17 and showing a right view of the open state;
FIG. 29 is an environmental view of the car door of FIG. 17 and showing a top view of the open state;
FIG. 30 is an environmental view of the car door of FIG. 17 and showing a bottom view of the open state;
FIG. 31 is an environmental view of the car door of FIG. 17 and showing a perspective view of the open state; and,
FIG. 32 is an environmental view of the car door of FIG. 17 and showing a perspective view of the open state.

1 Claim, 32 Drawing Sheets



(58) **Field of Classification Search**

CPC .. B62D 25/02; B62D 25/04; B60J 5/00; B60J
5/02; B60J 5/04; B60J 5/10

See application file for complete search history.

(56) **References Cited**

U.S. PATENT DOCUMENTS

D672,699 S *	12/2012	Saracoglu	D12/196
D726,616 S *	4/2015	Greene	D12/196
D836,516 S *	12/2018	Tomasson	D12/196
D875,011 S *	2/2020	Choi	D12/196
D892,695 S *	8/2020	Oh	D12/196
D901,351 S *	11/2020	Kim	D12/196
D915,972 S *	4/2021	Kim	B60J 5/0472
			D12/196
D919,530 S *	5/2021	Mistiuk	D12/196
2007/0158974 A1 *	7/2007	Woodhouse	B60J 5/0472
			296/146.11

* cited by examiner

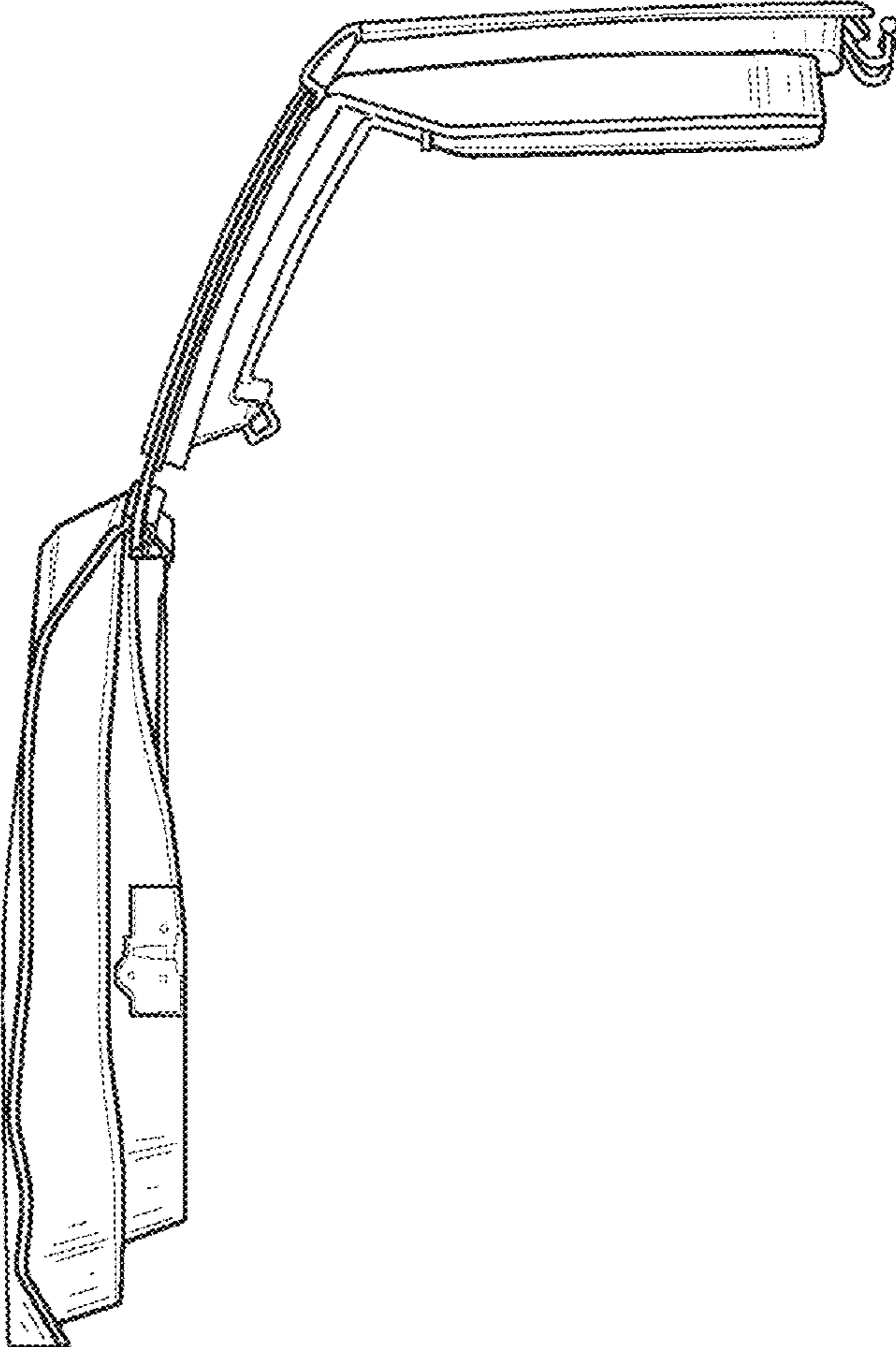


FIGURE 1

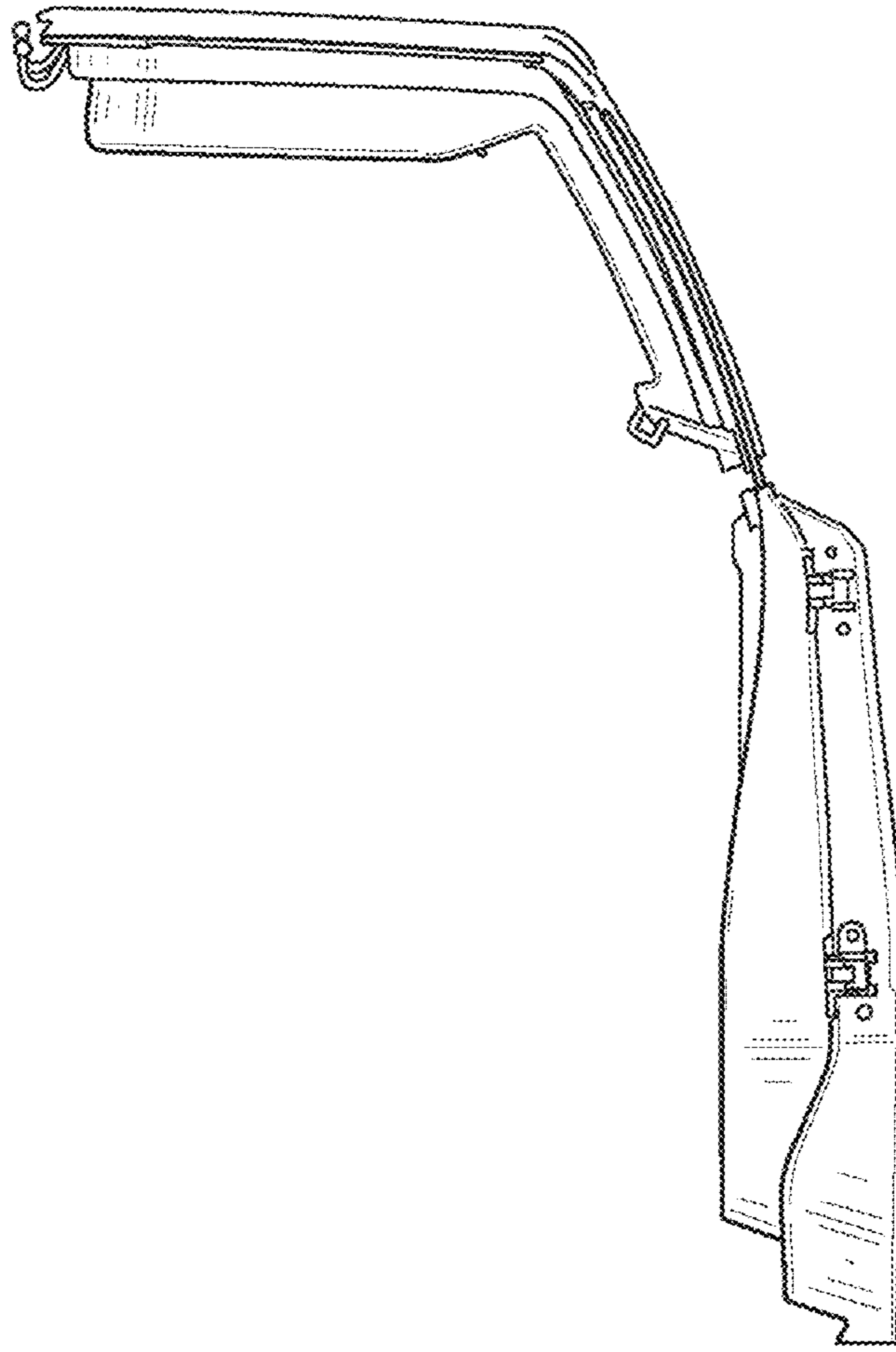


FIGURE 2

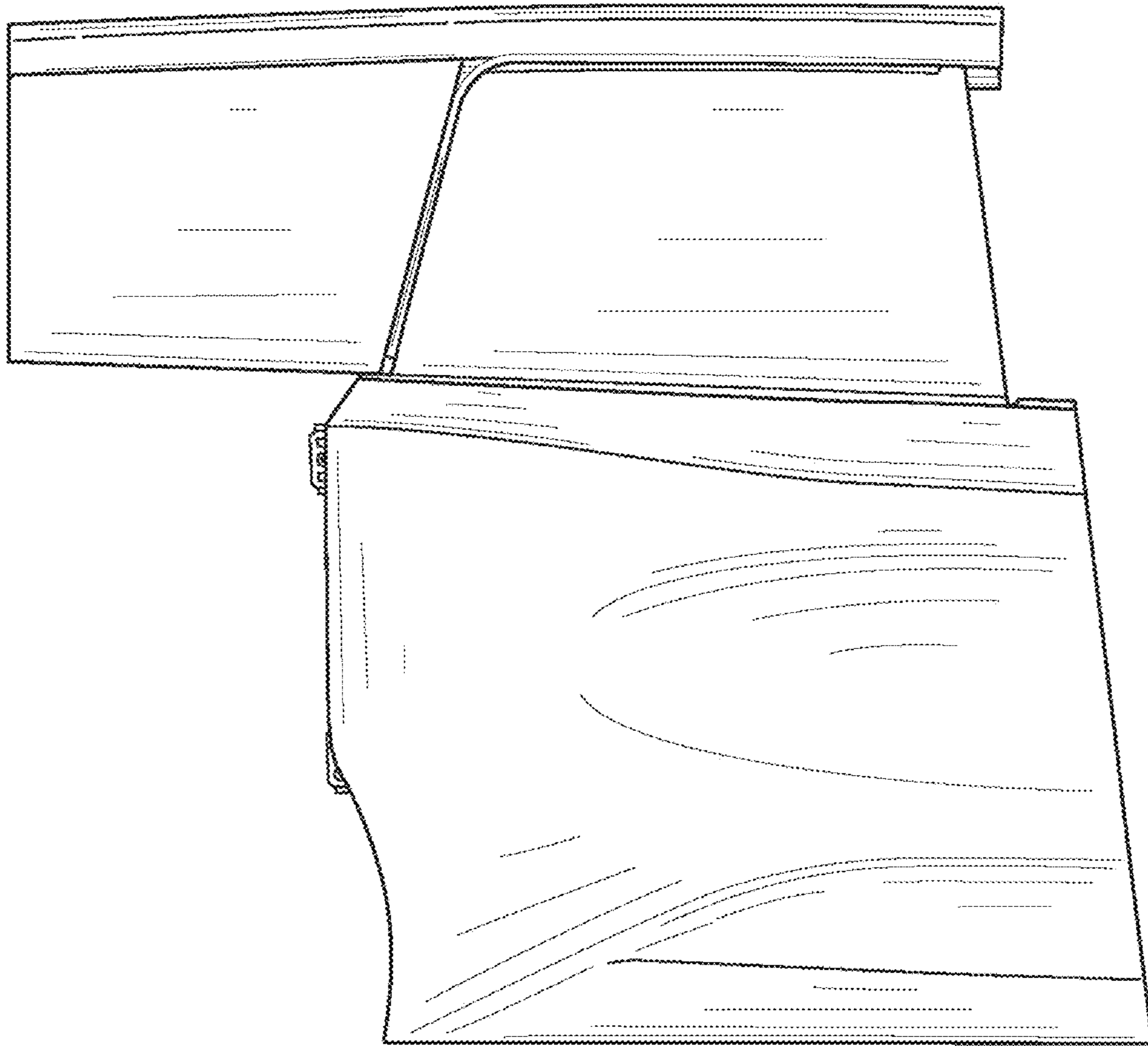


FIGURE 3

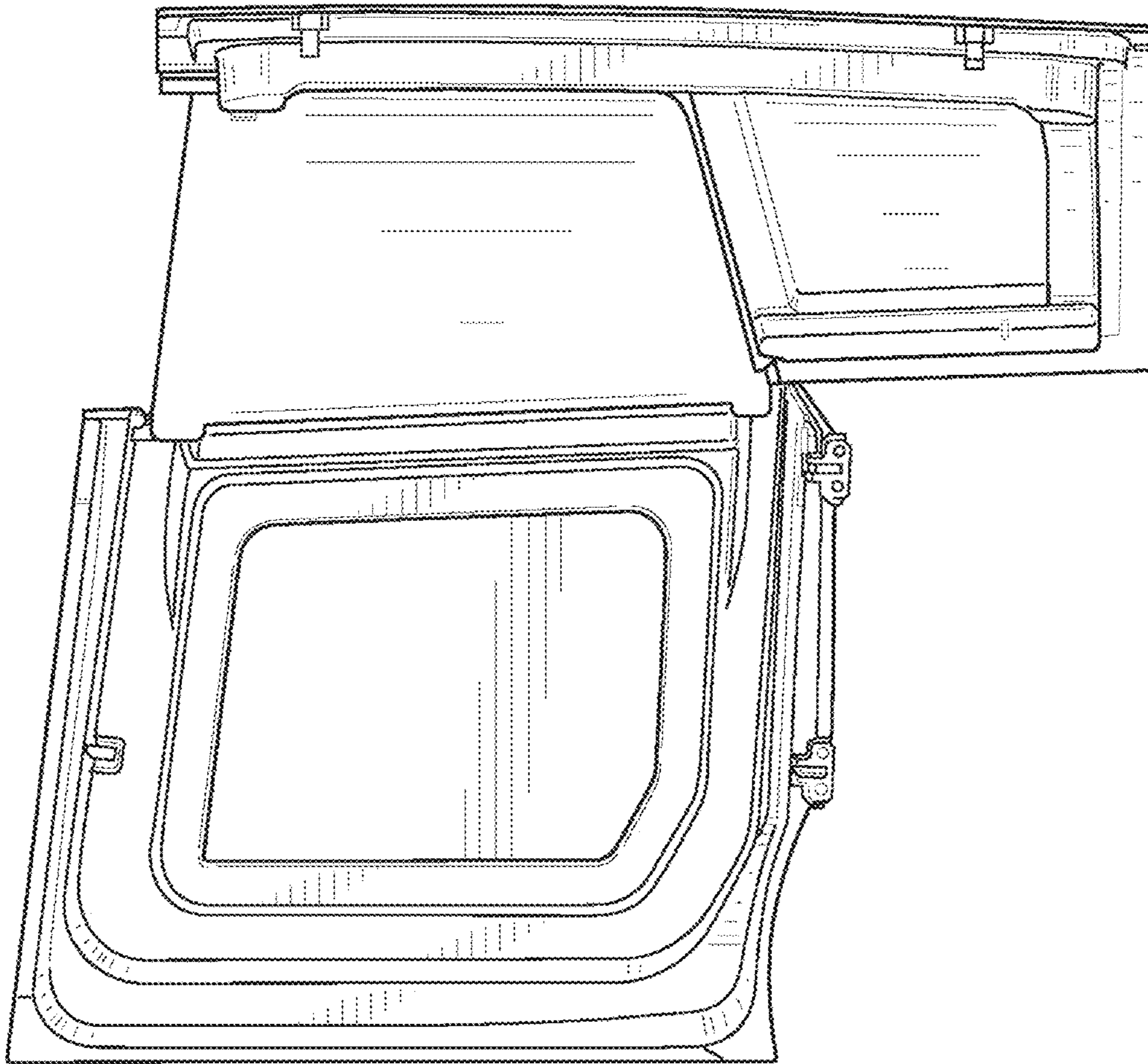


FIGURE 4

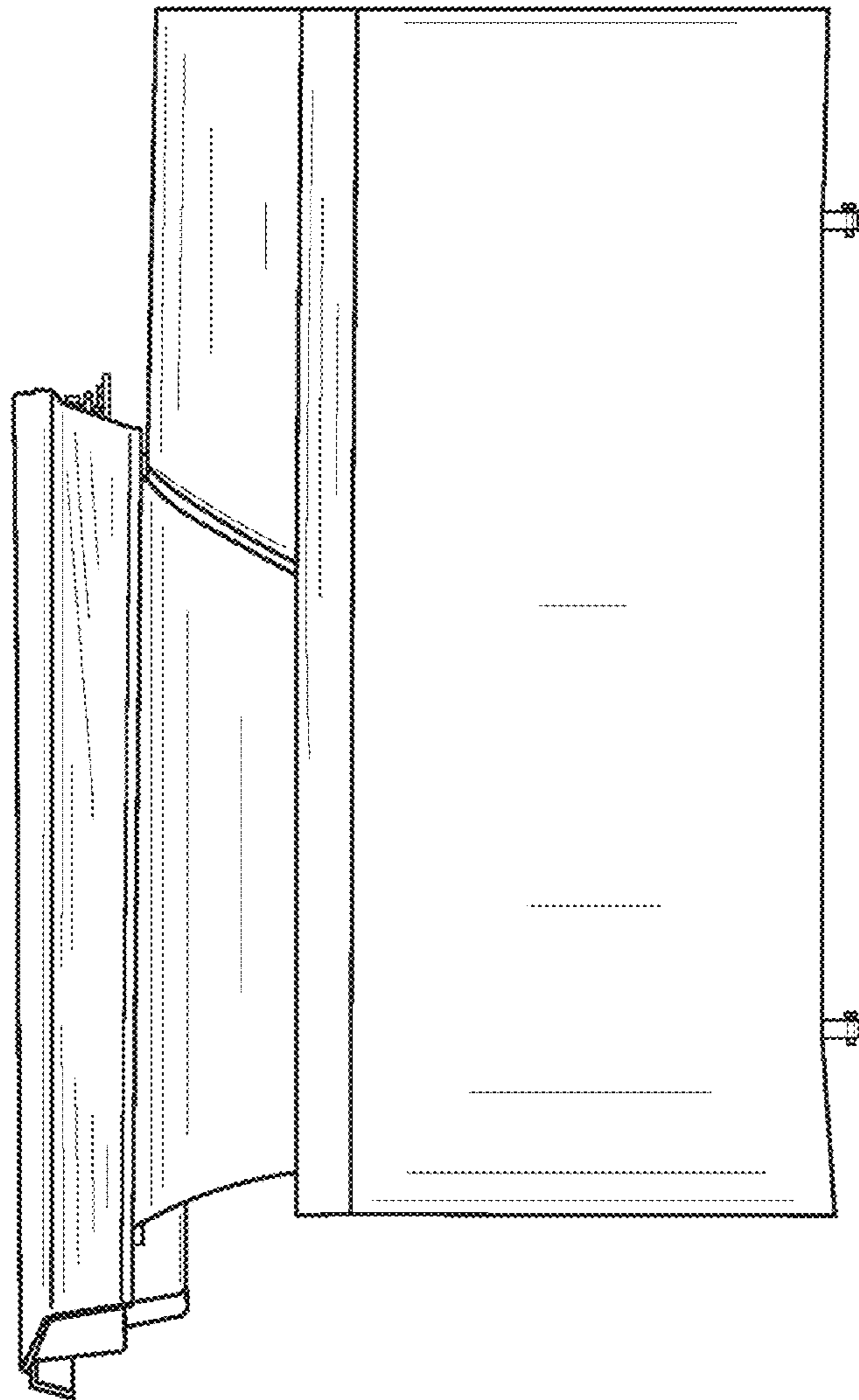


FIGURE 5

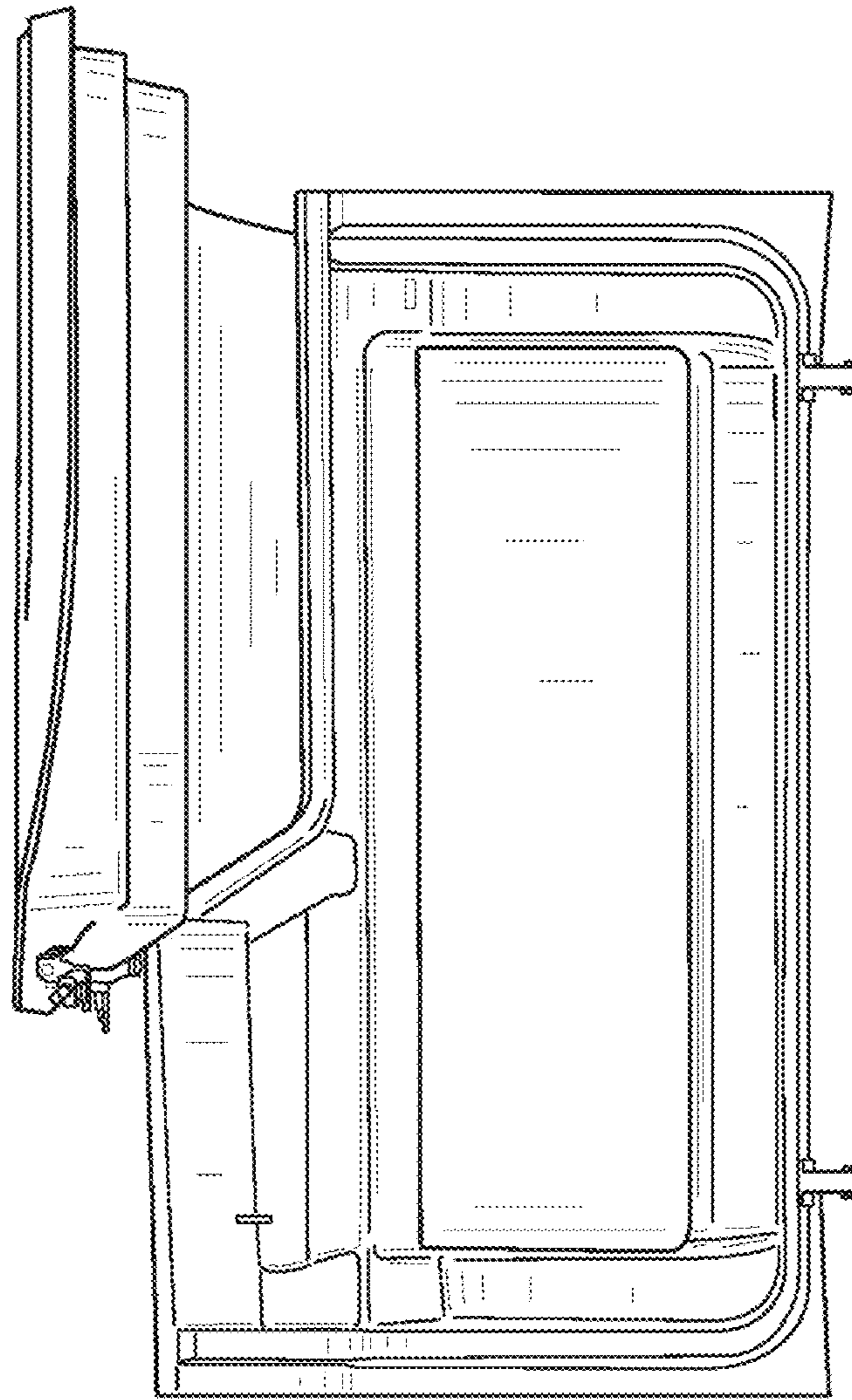


FIGURE 6

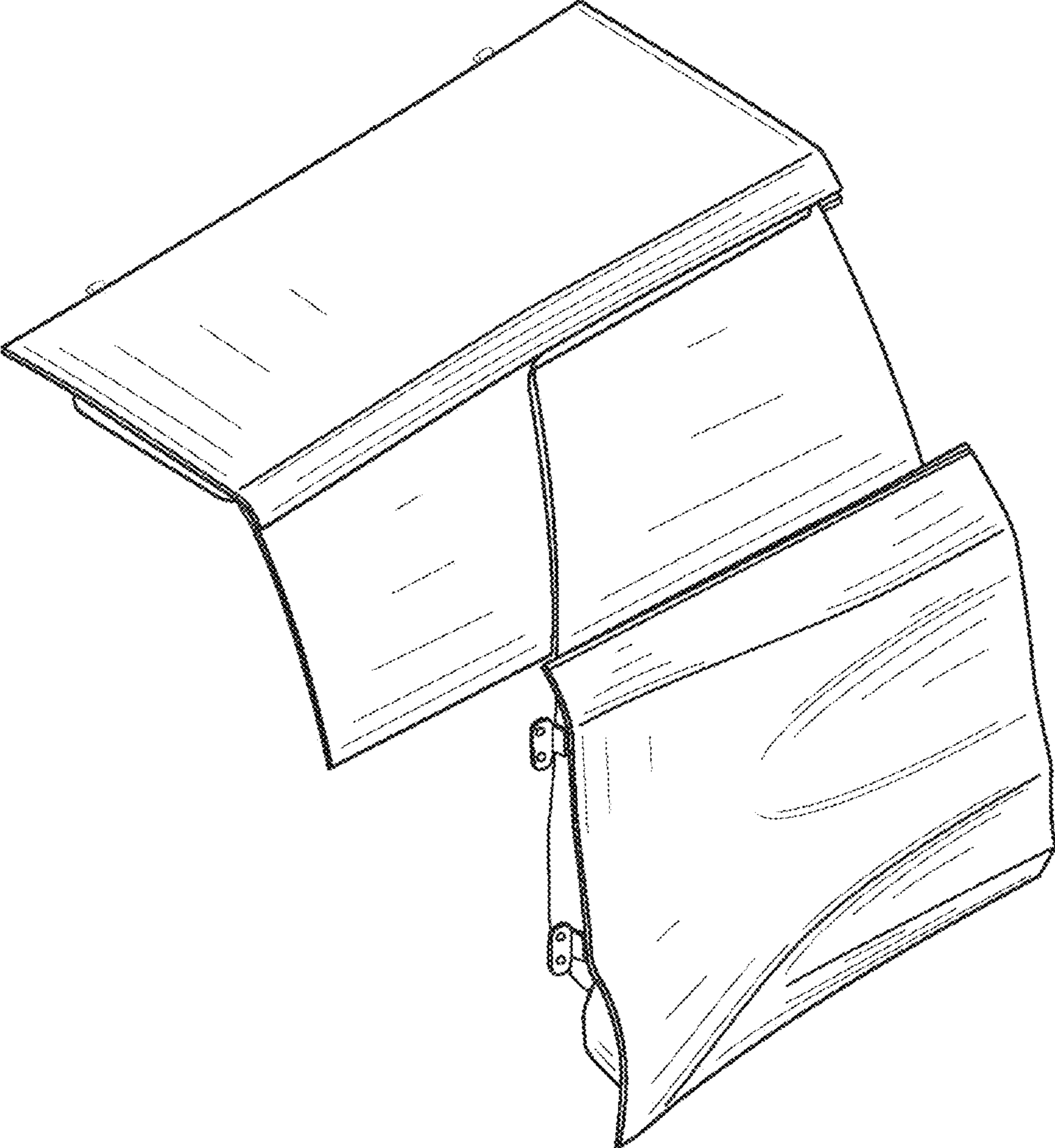


FIGURE 7

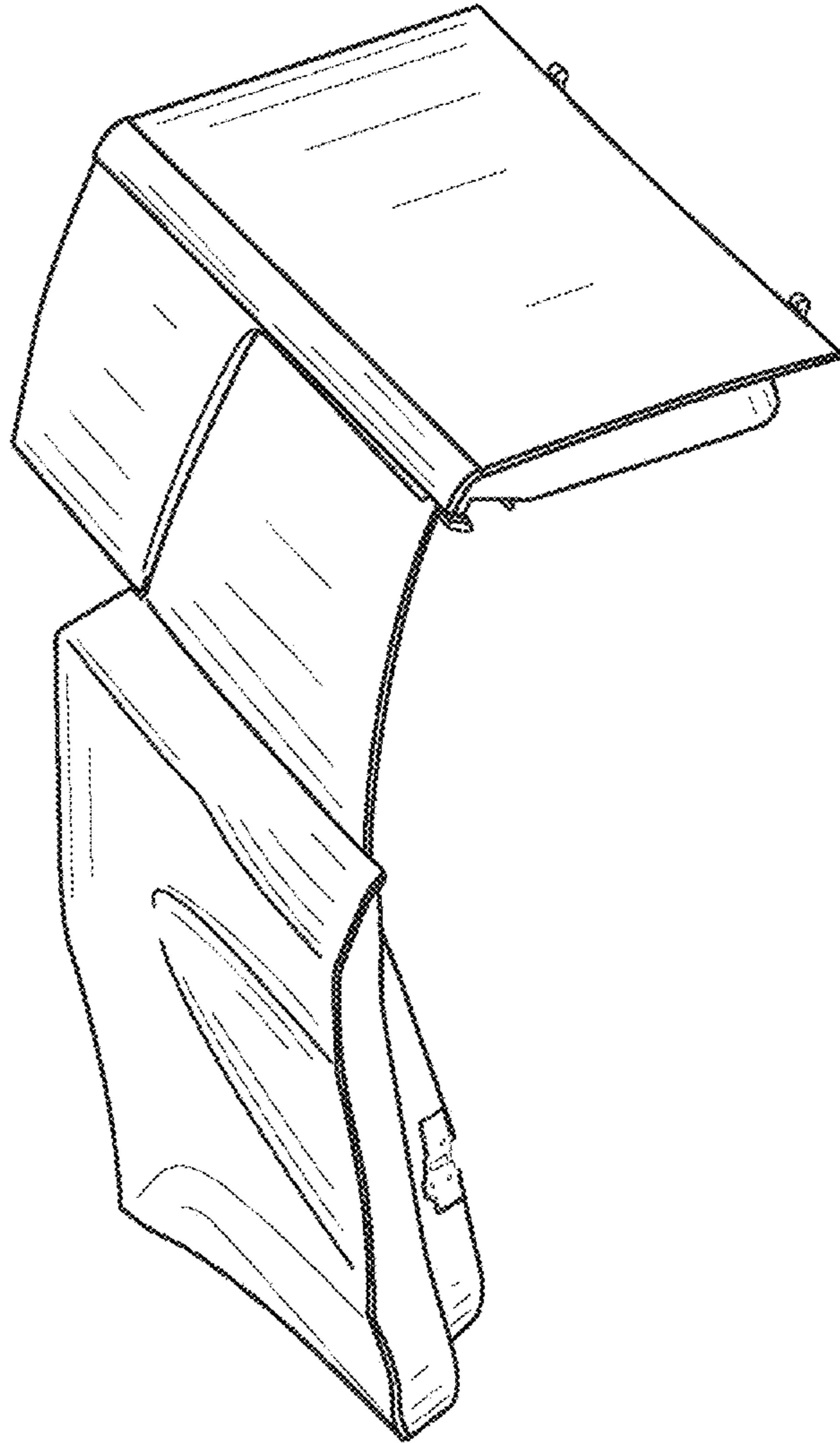


FIGURE 8

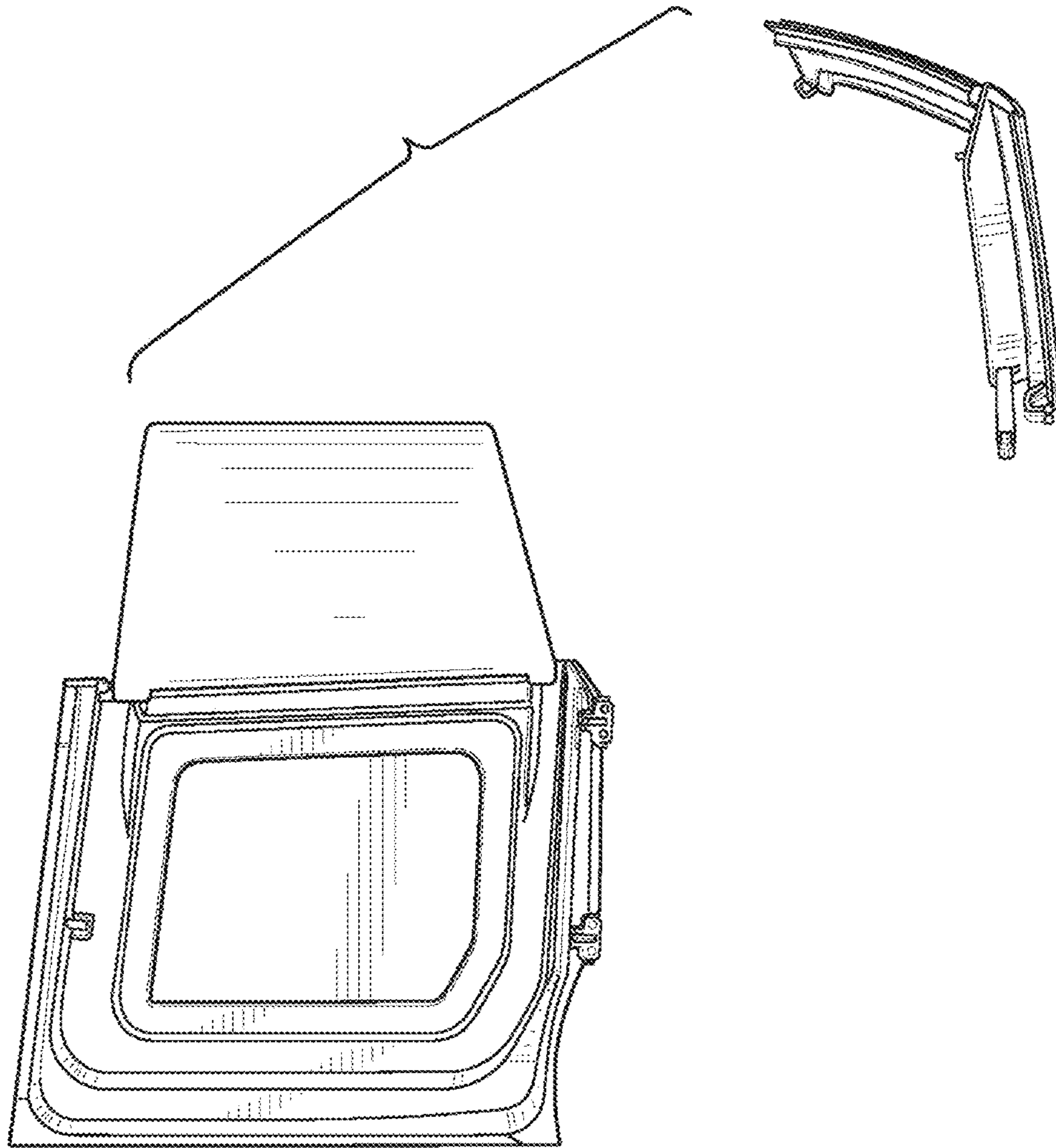


FIGURE 9

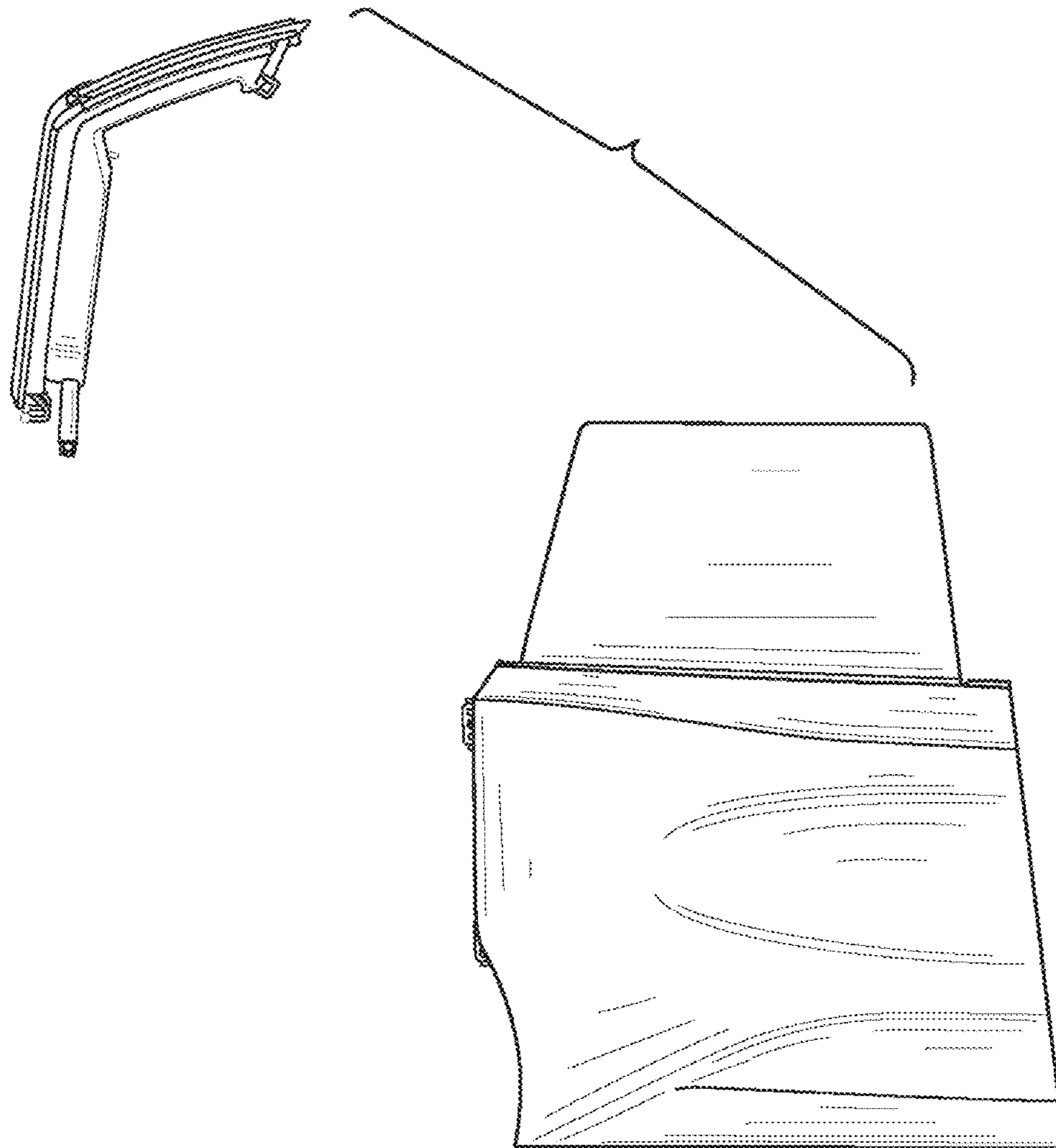


FIGURE 10

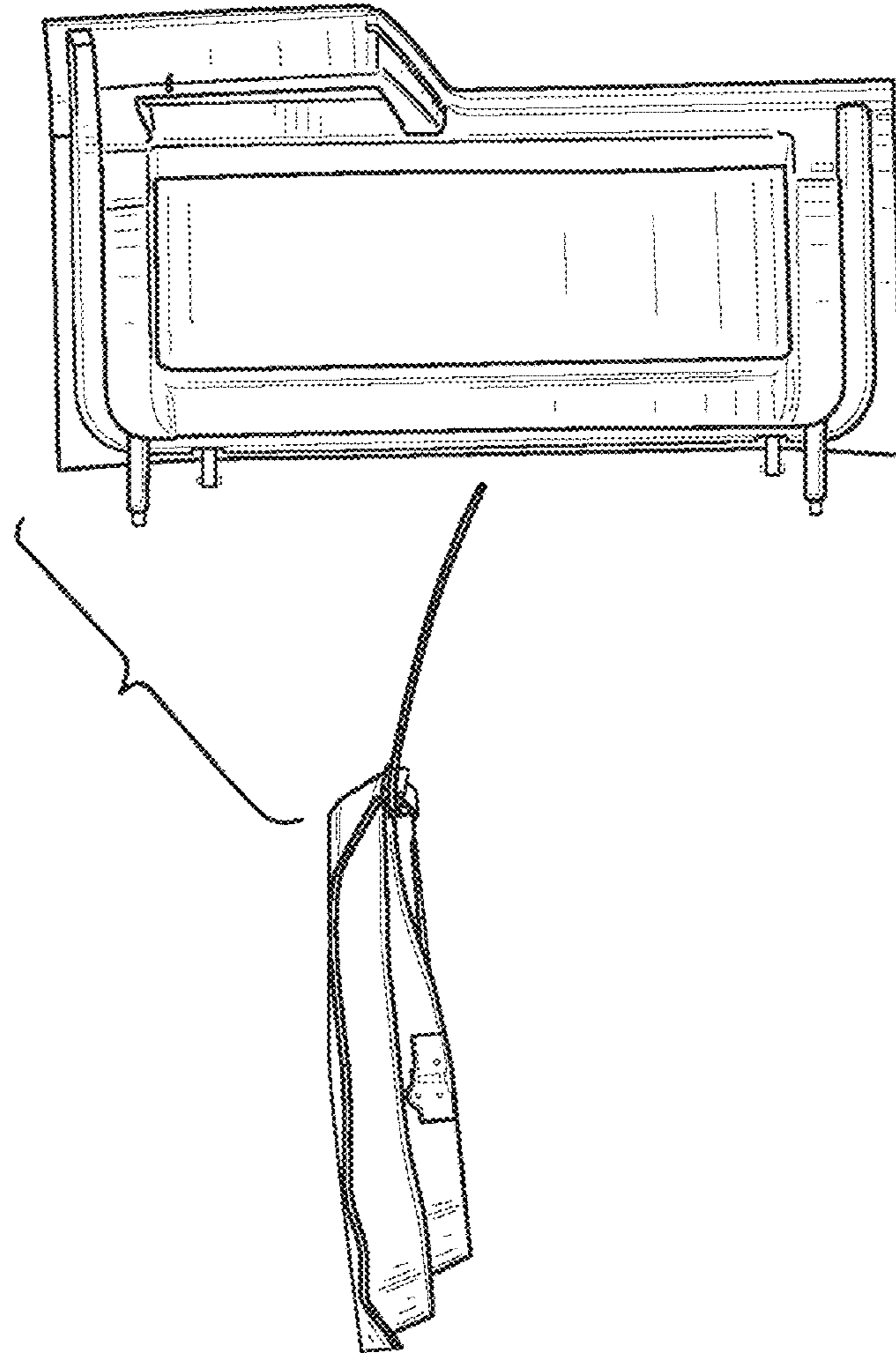


FIGURE 11

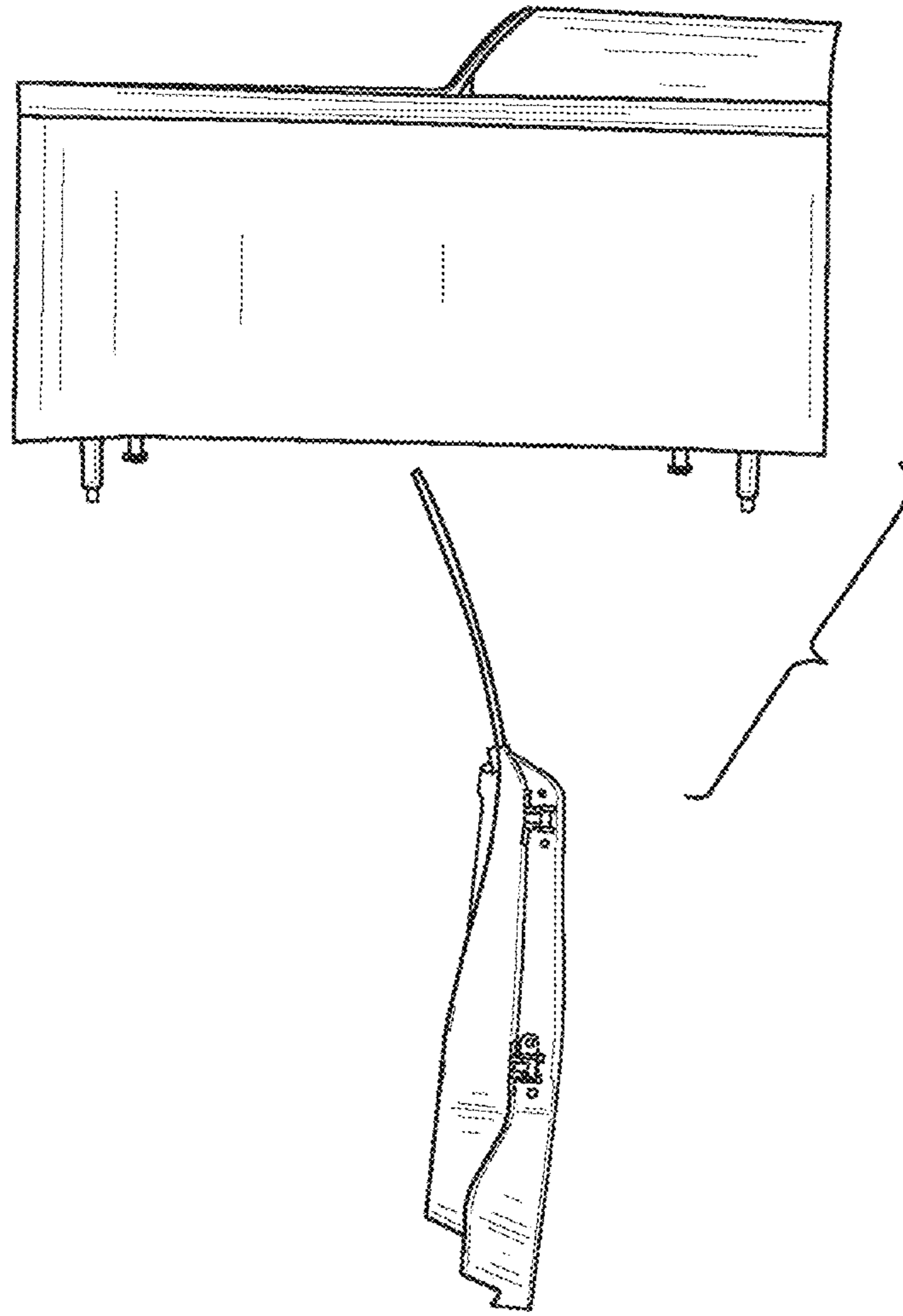


FIGURE 12

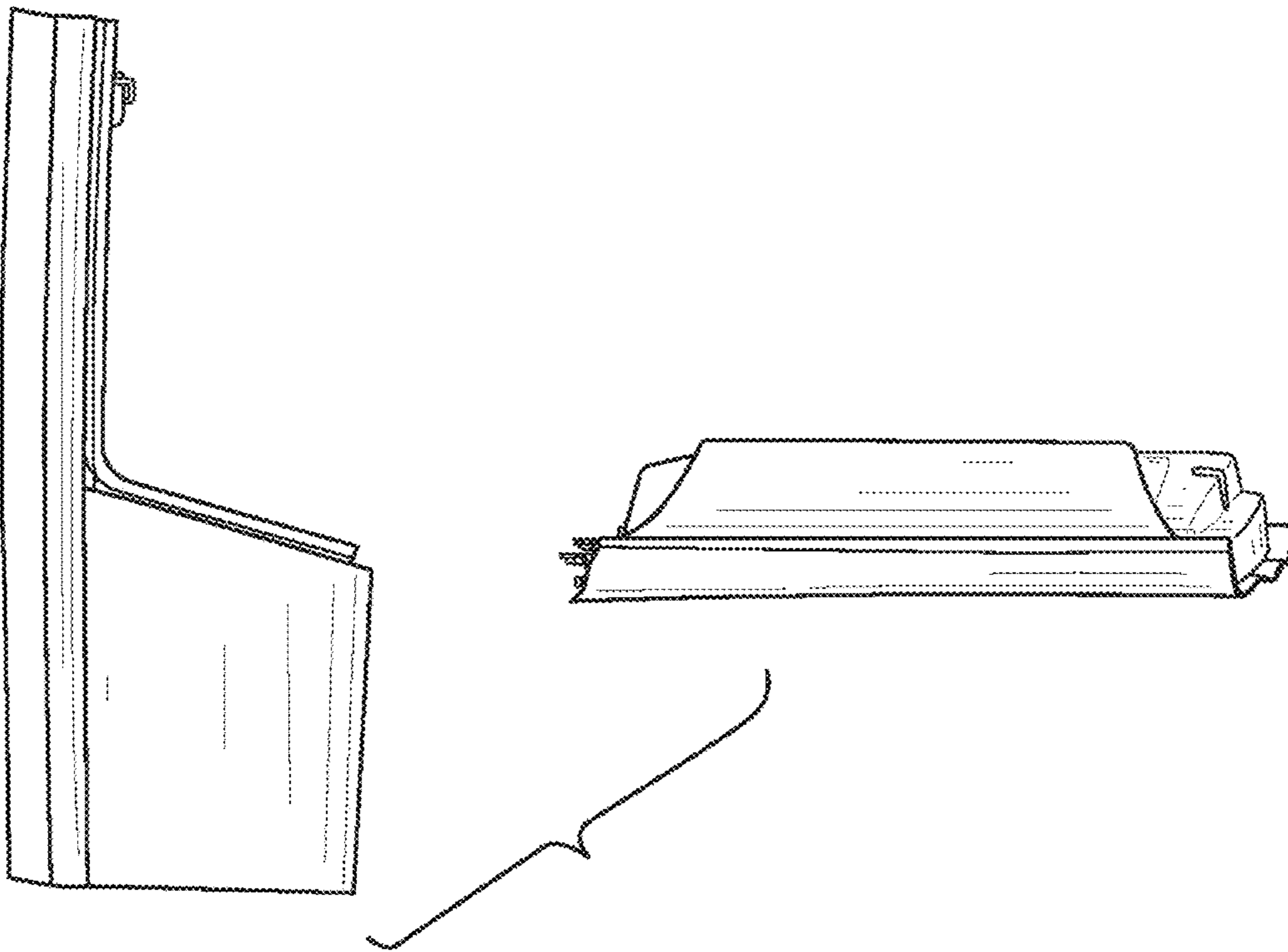


FIGURE 13

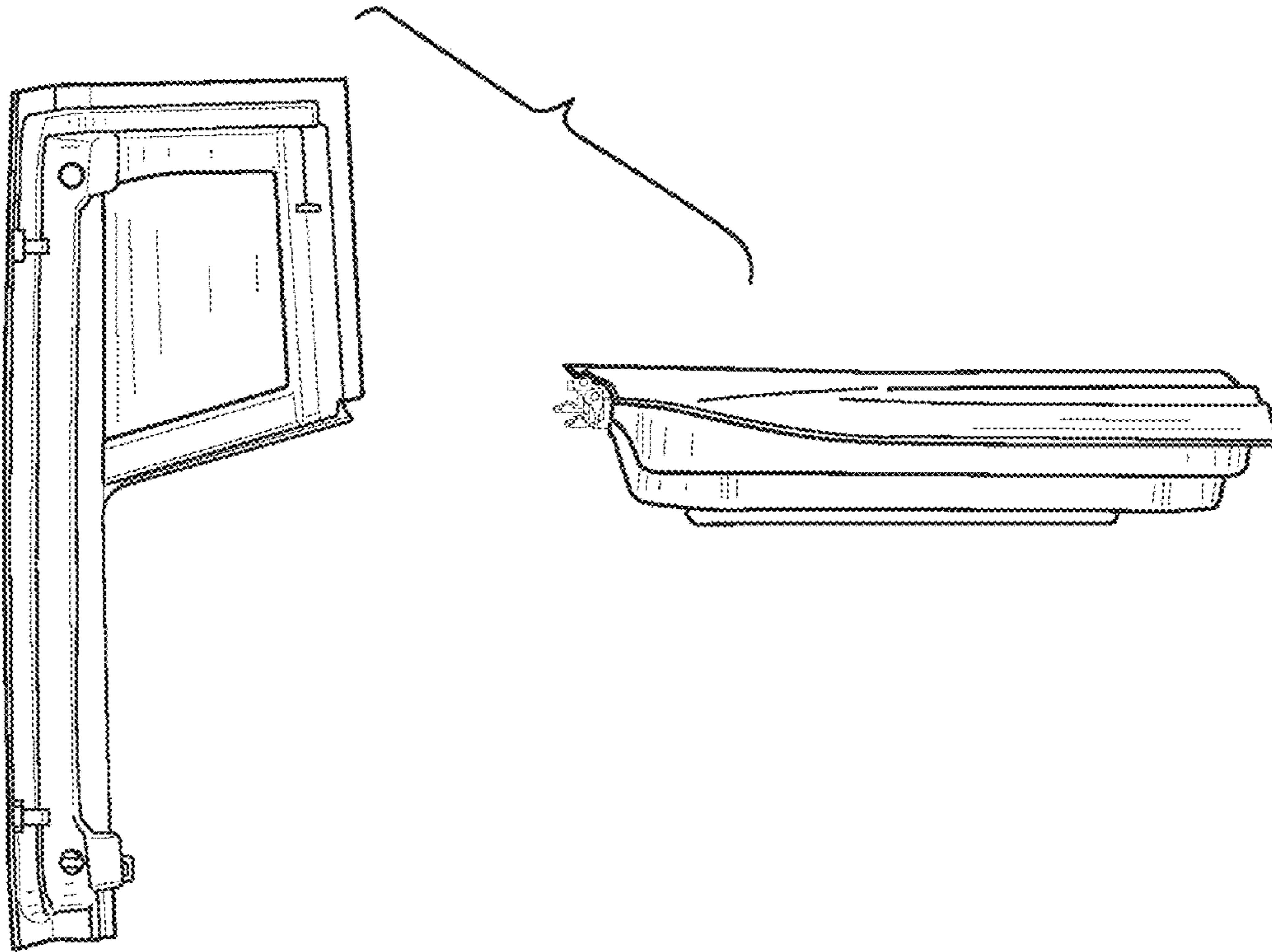


FIGURE 14

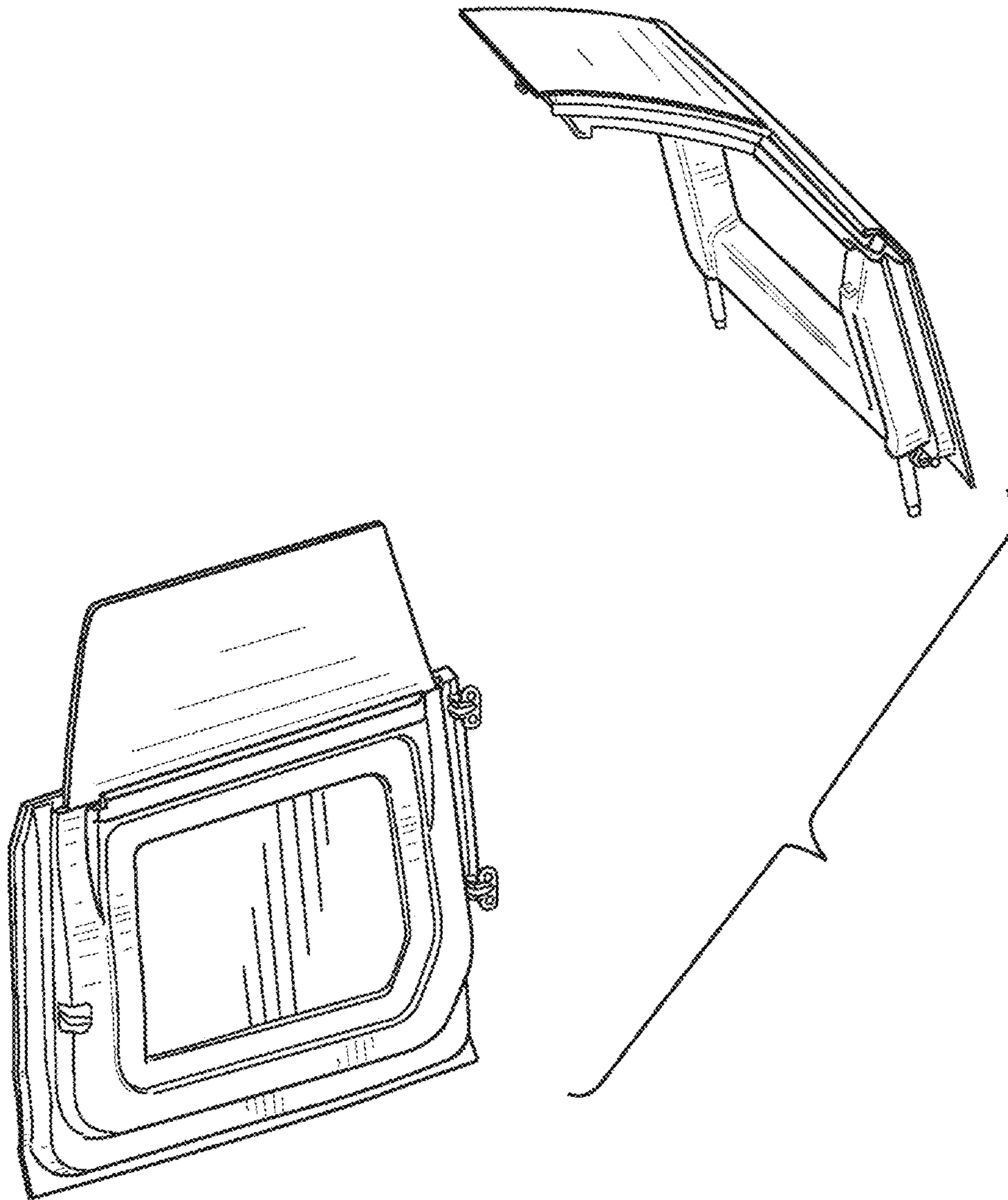


FIGURE 15

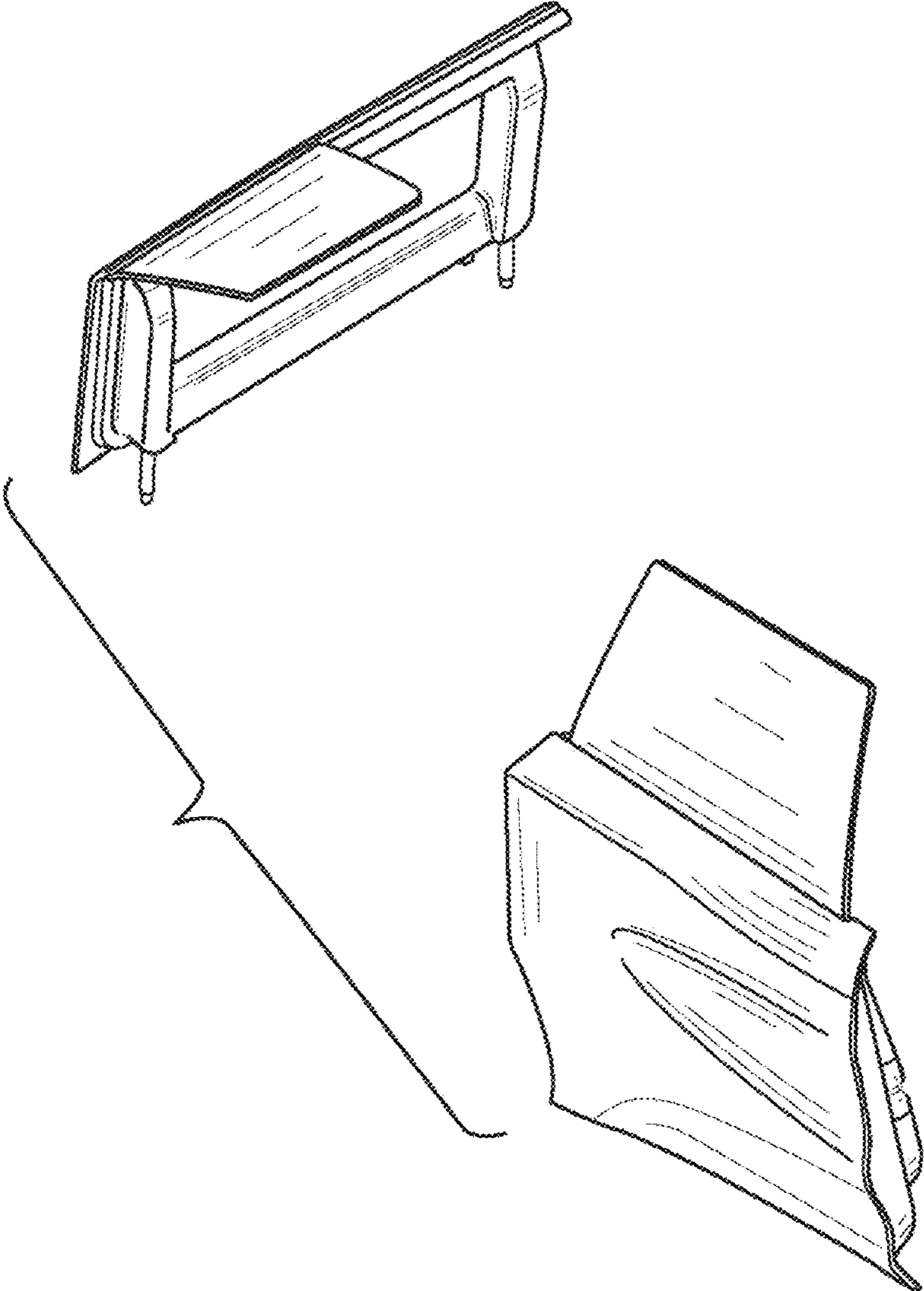


FIGURE 16

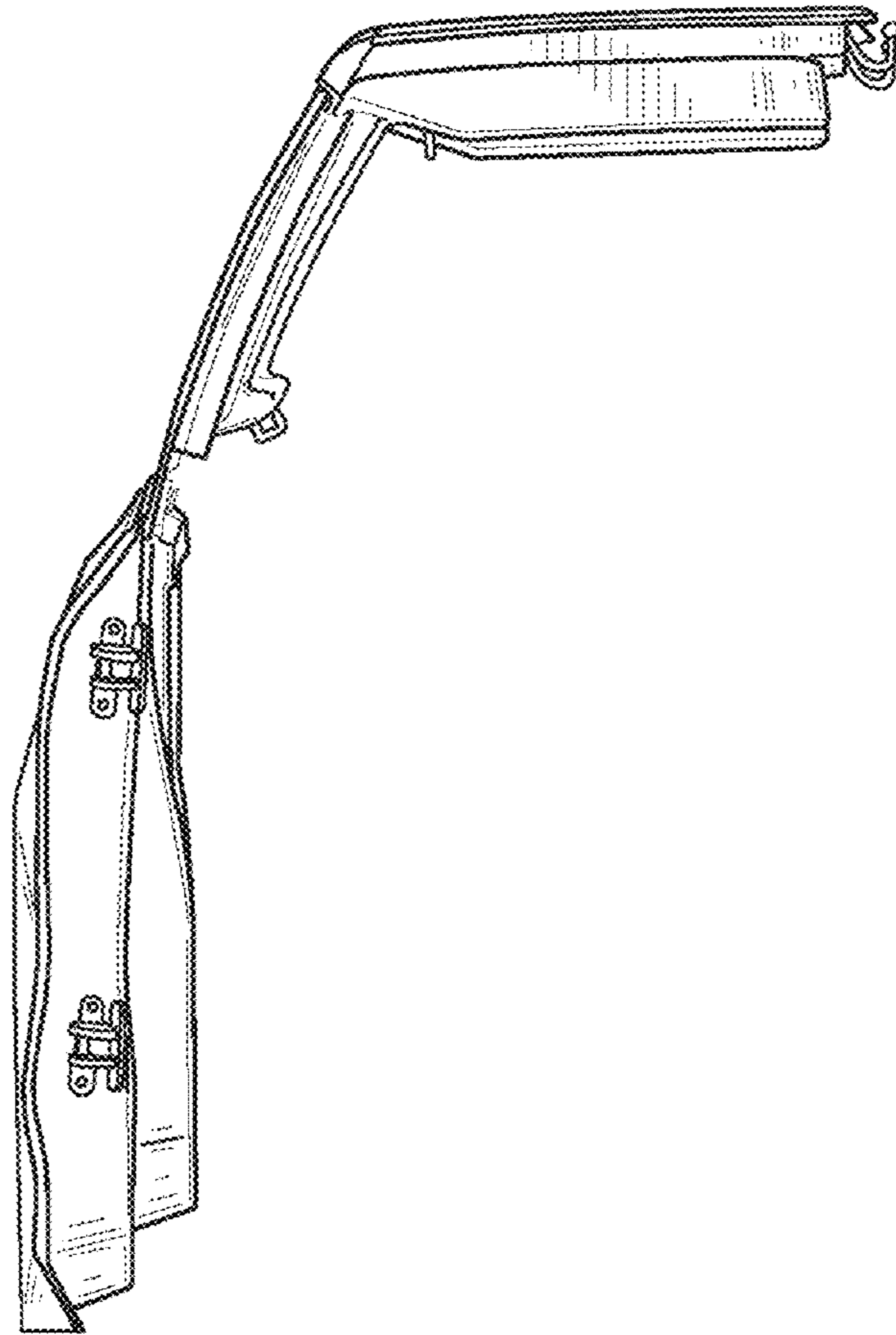


FIGURE 17

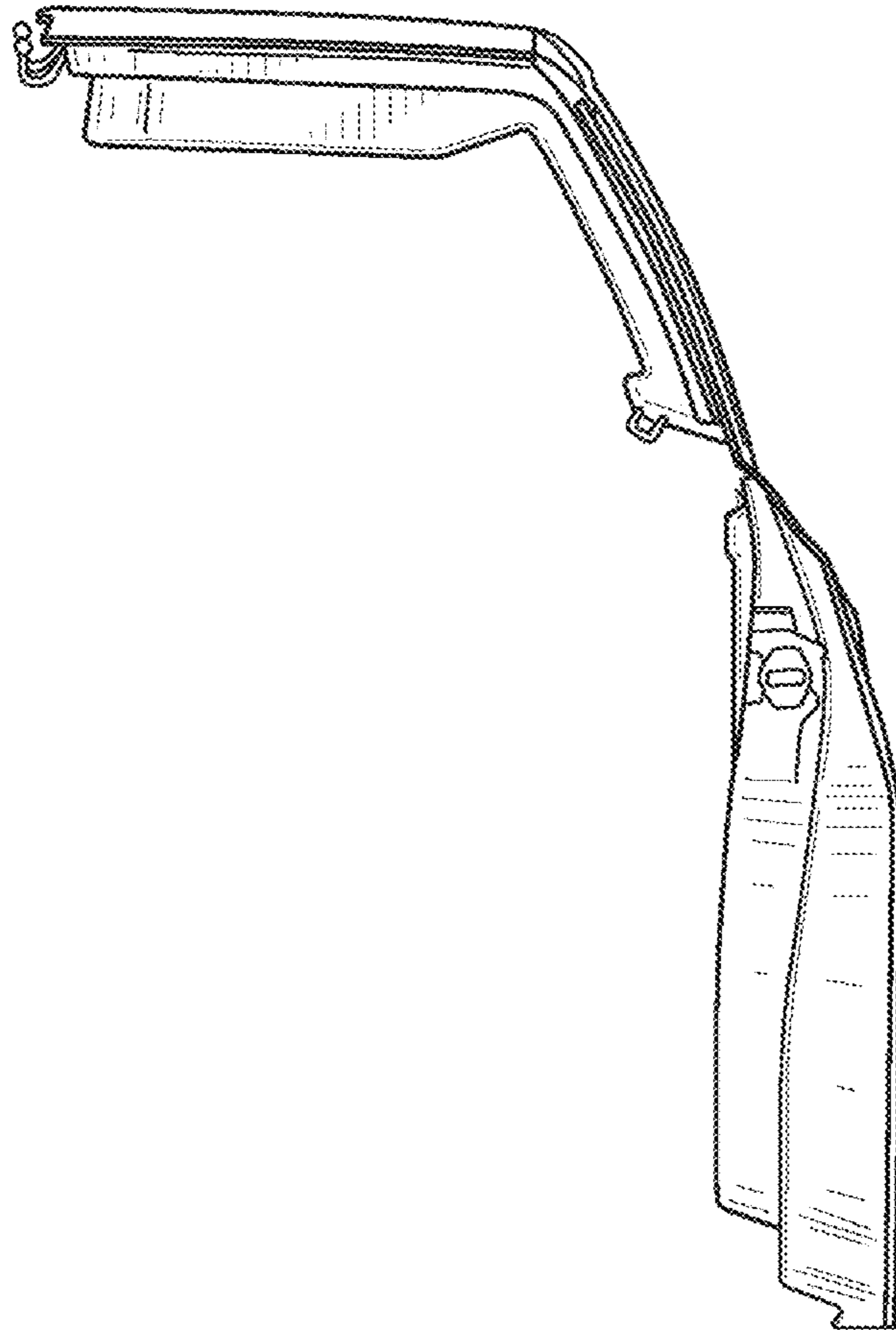


FIGURE 18

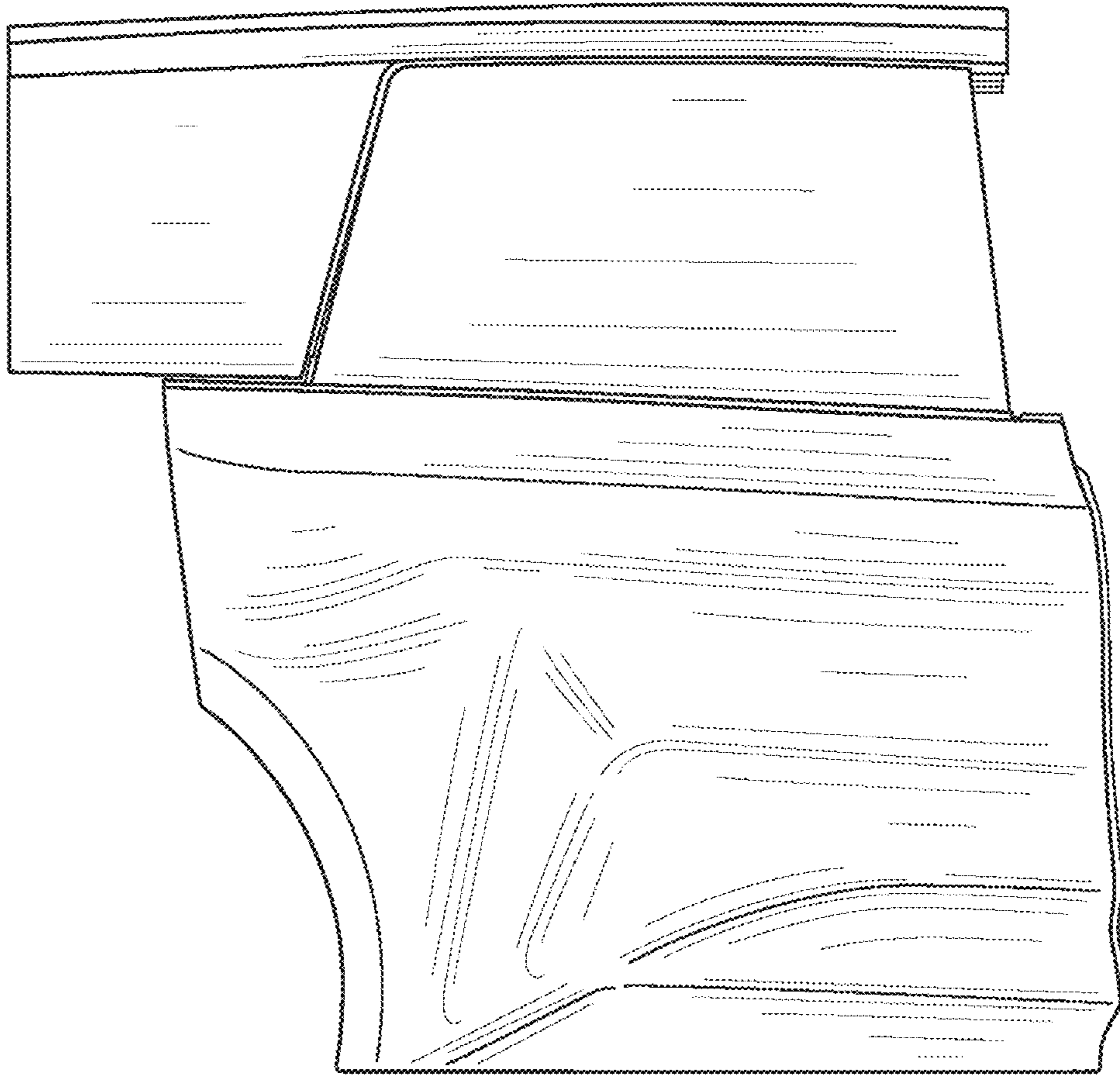


FIGURE 19

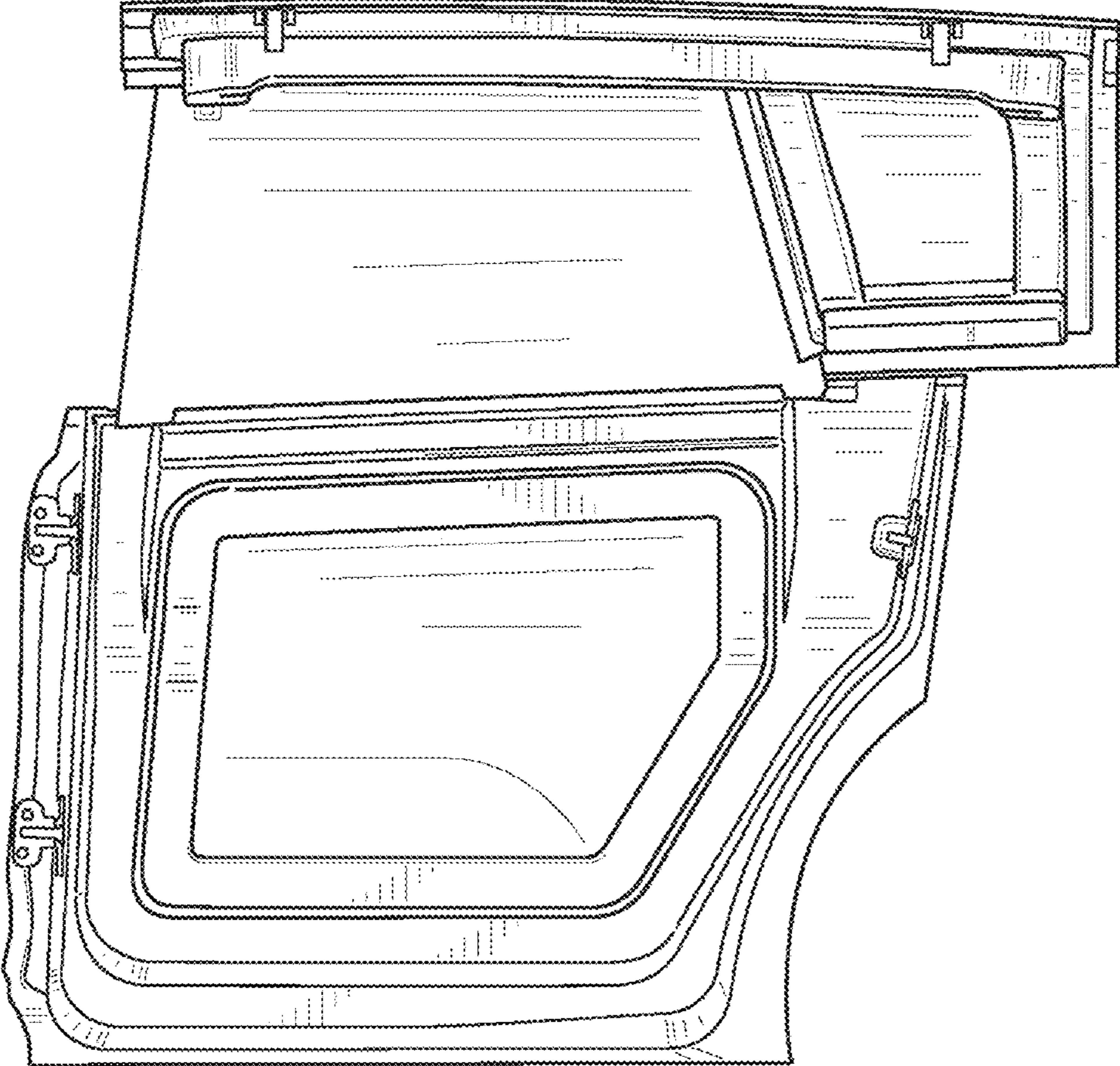


FIGURE 20

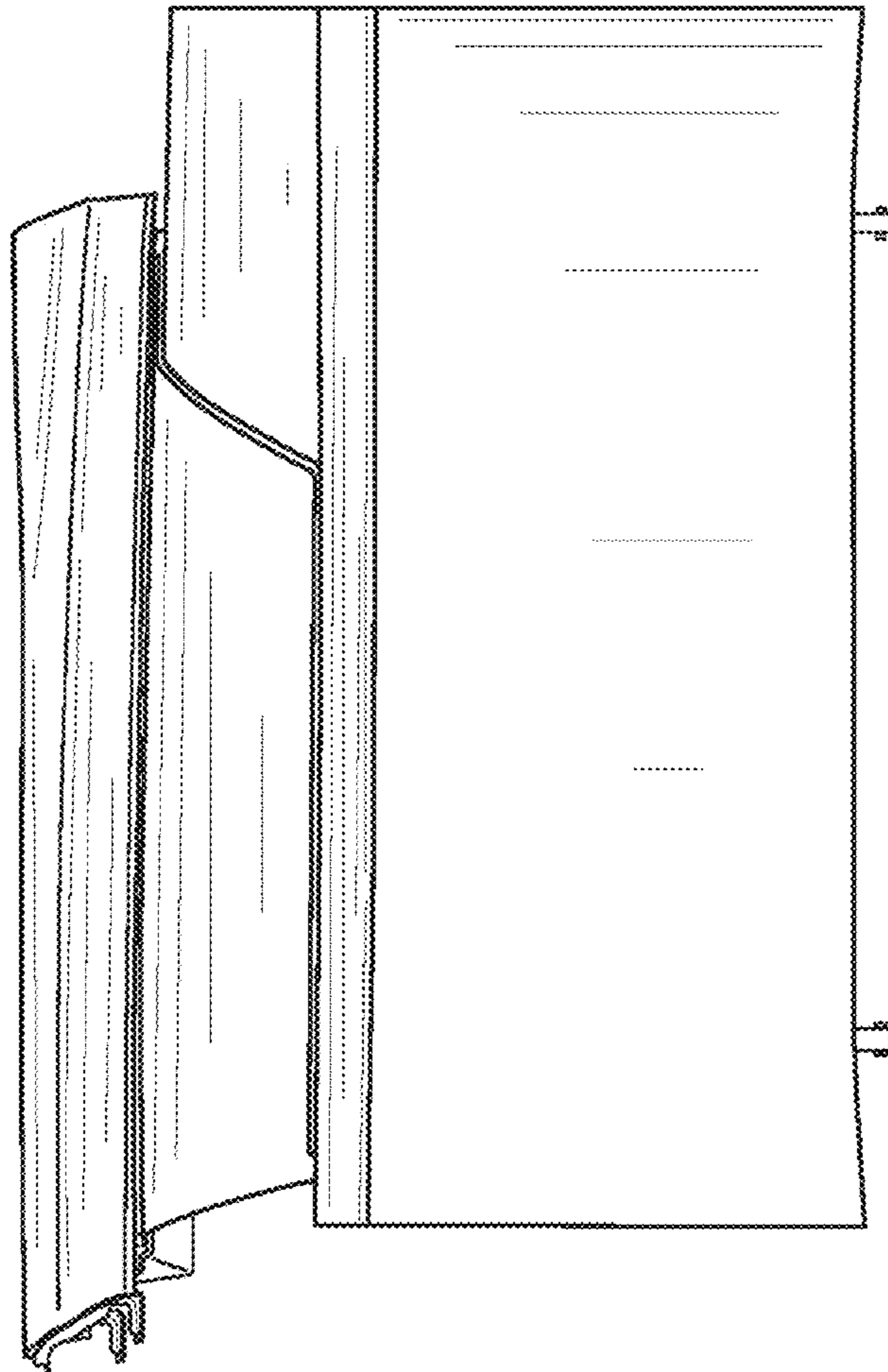


FIGURE 21

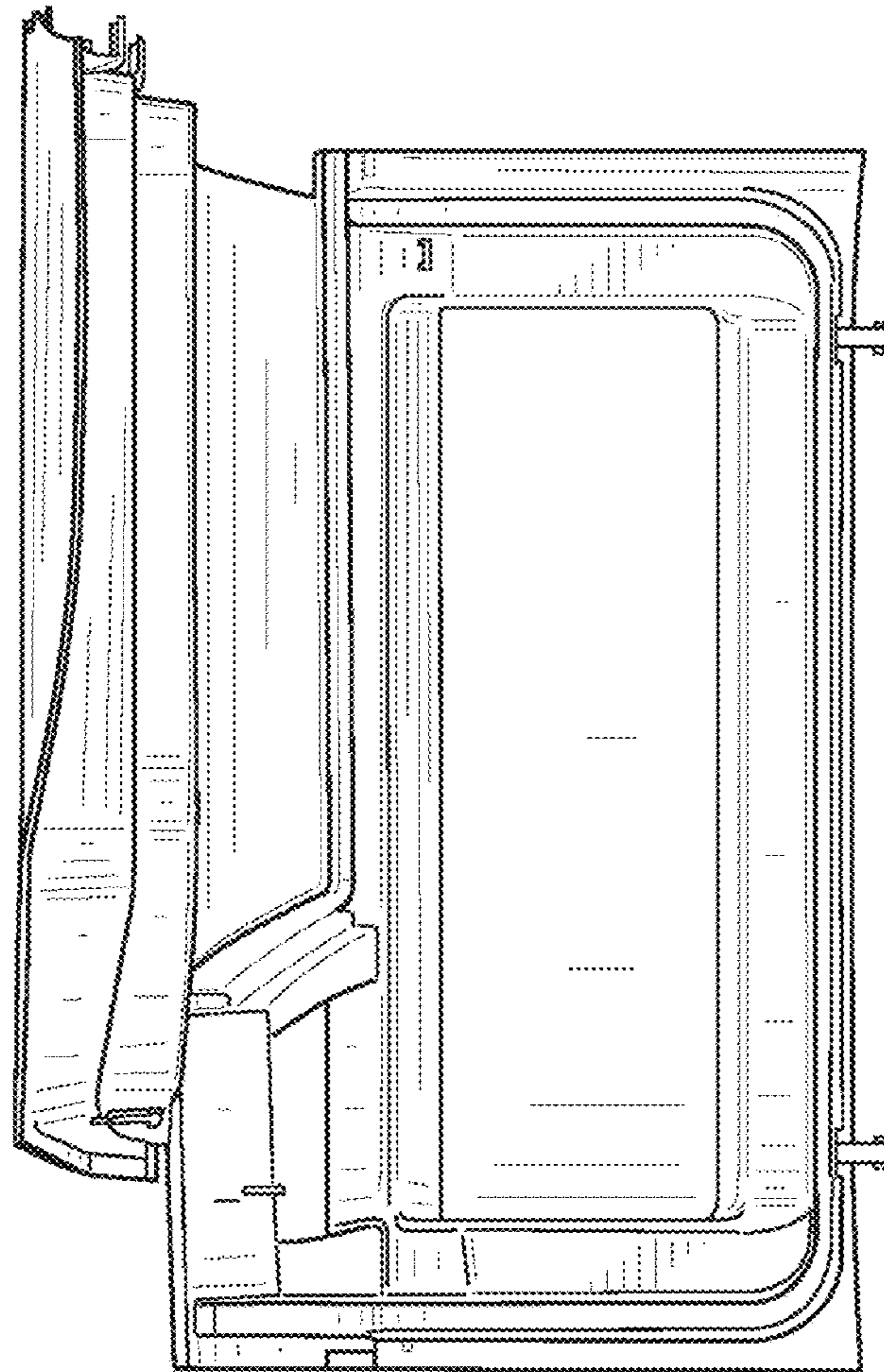


FIGURE 22

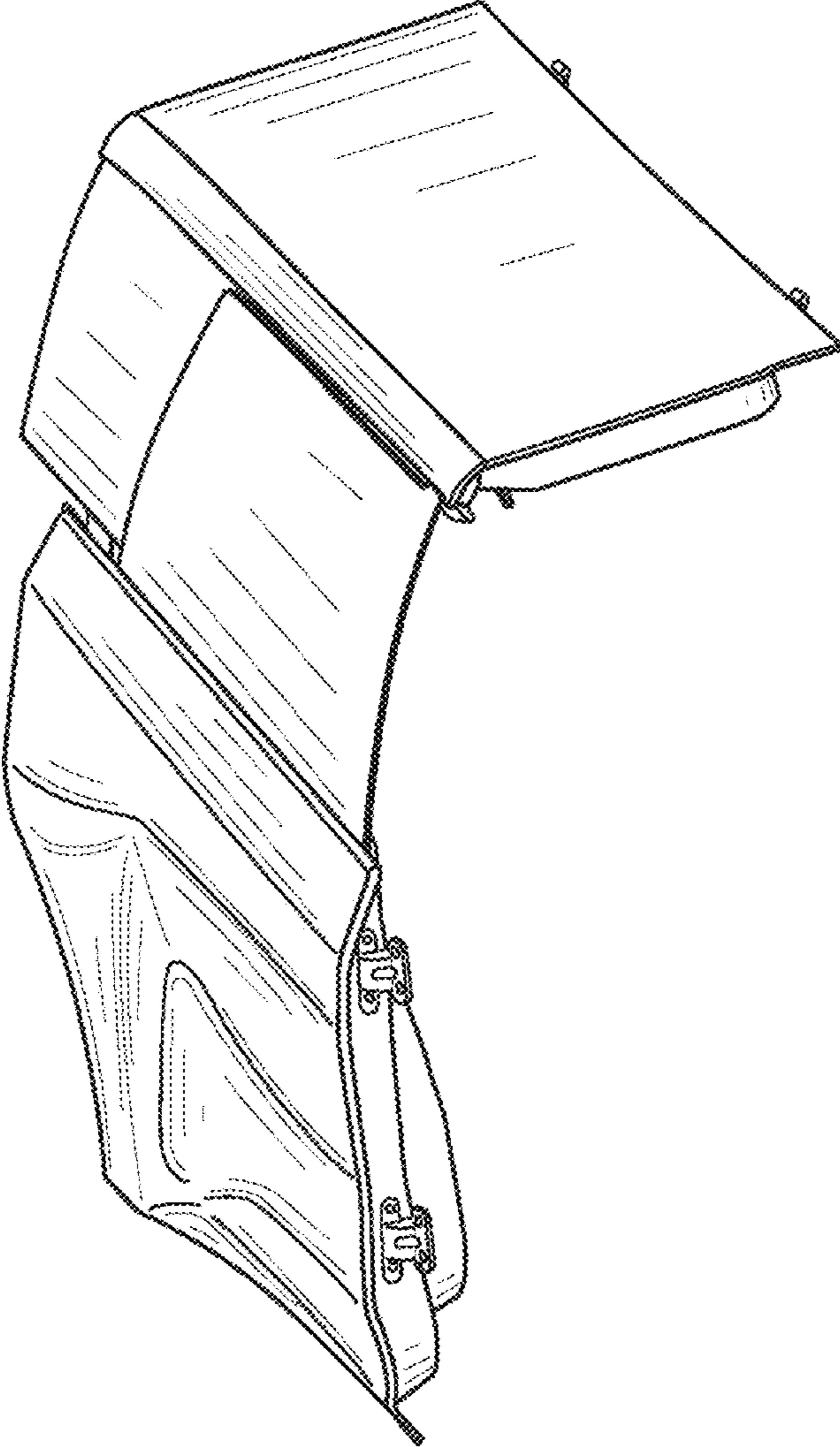


FIGURE 23

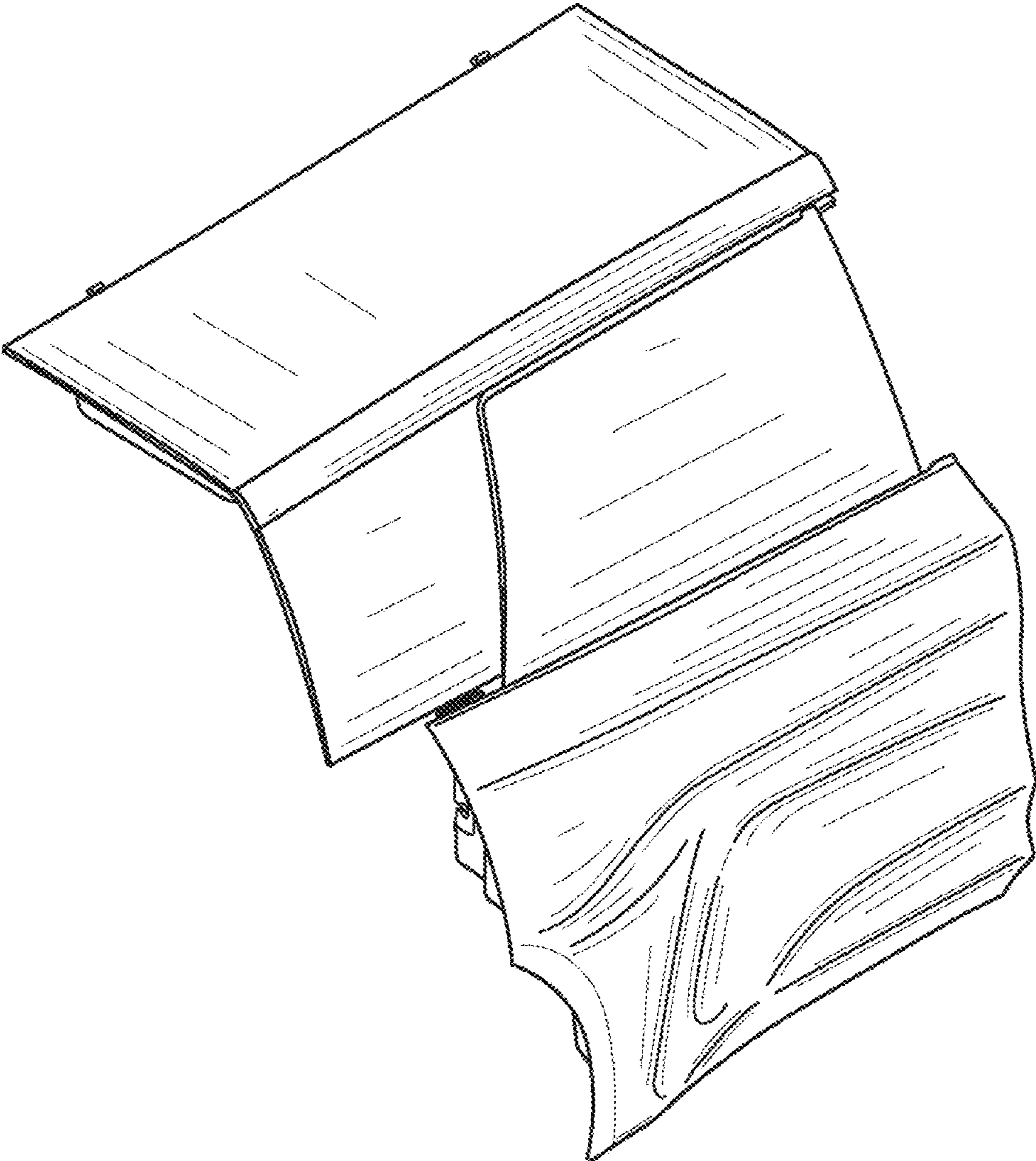


FIGURE 24

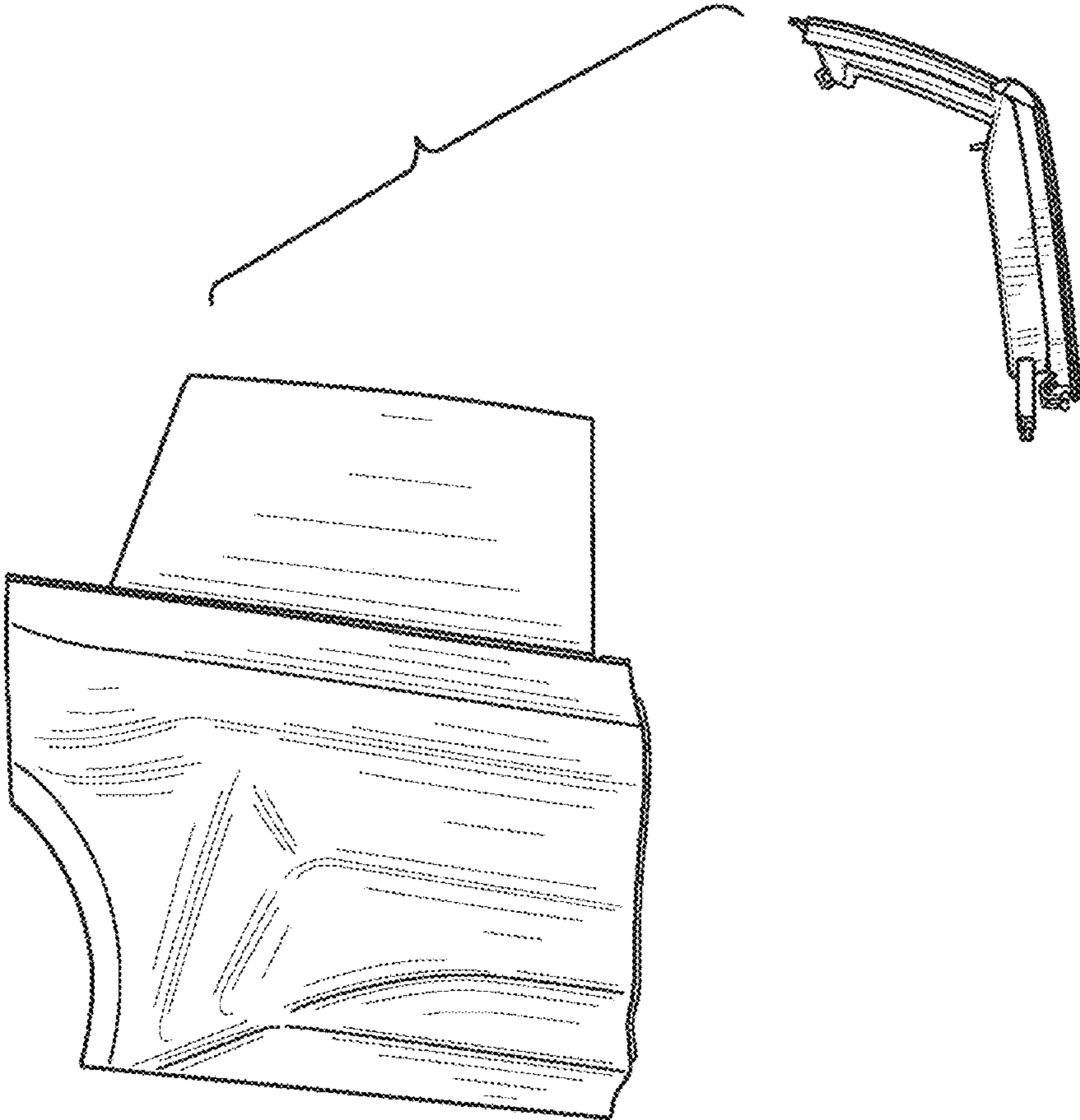


FIGURE 25

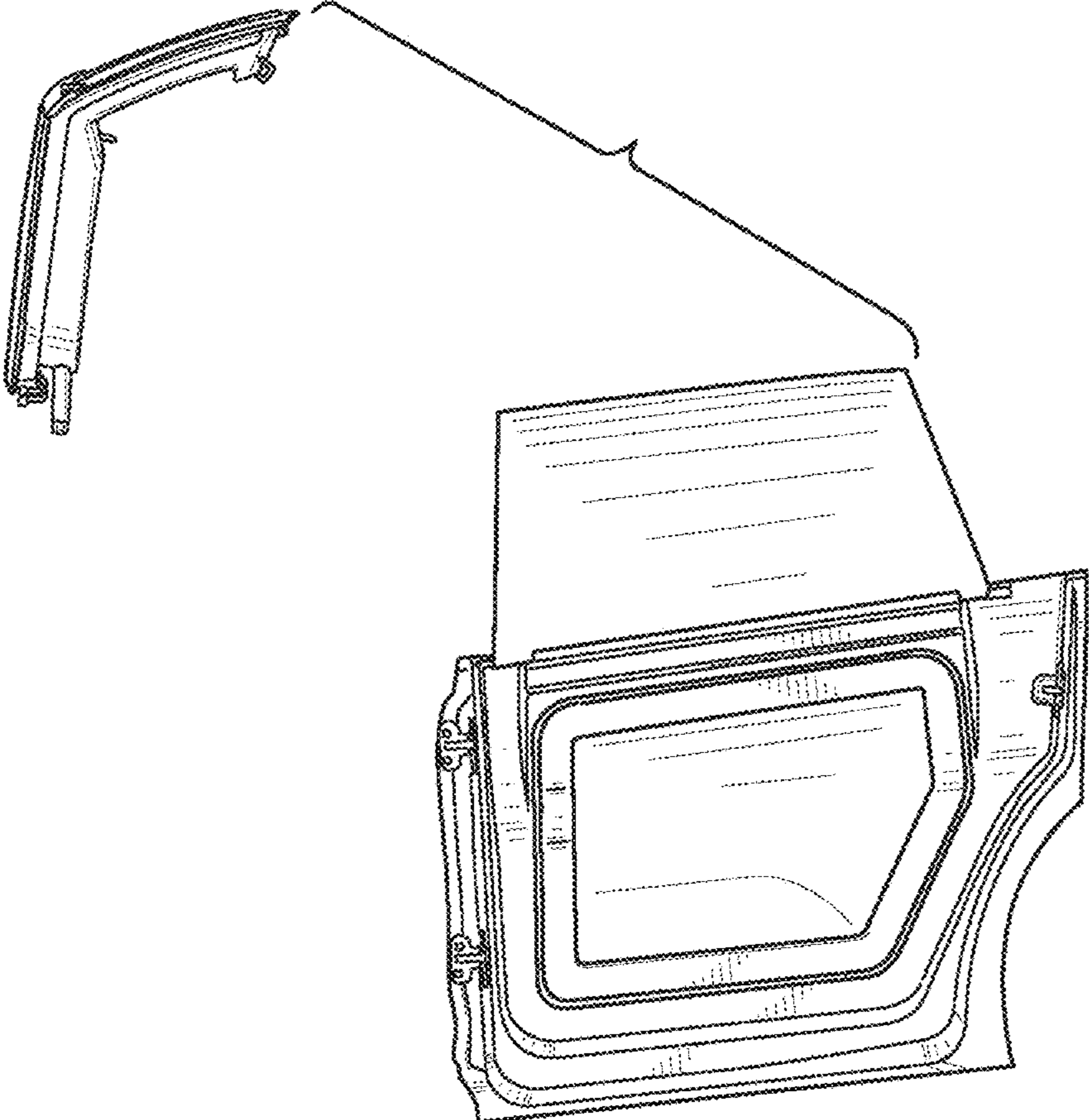


FIGURE 26

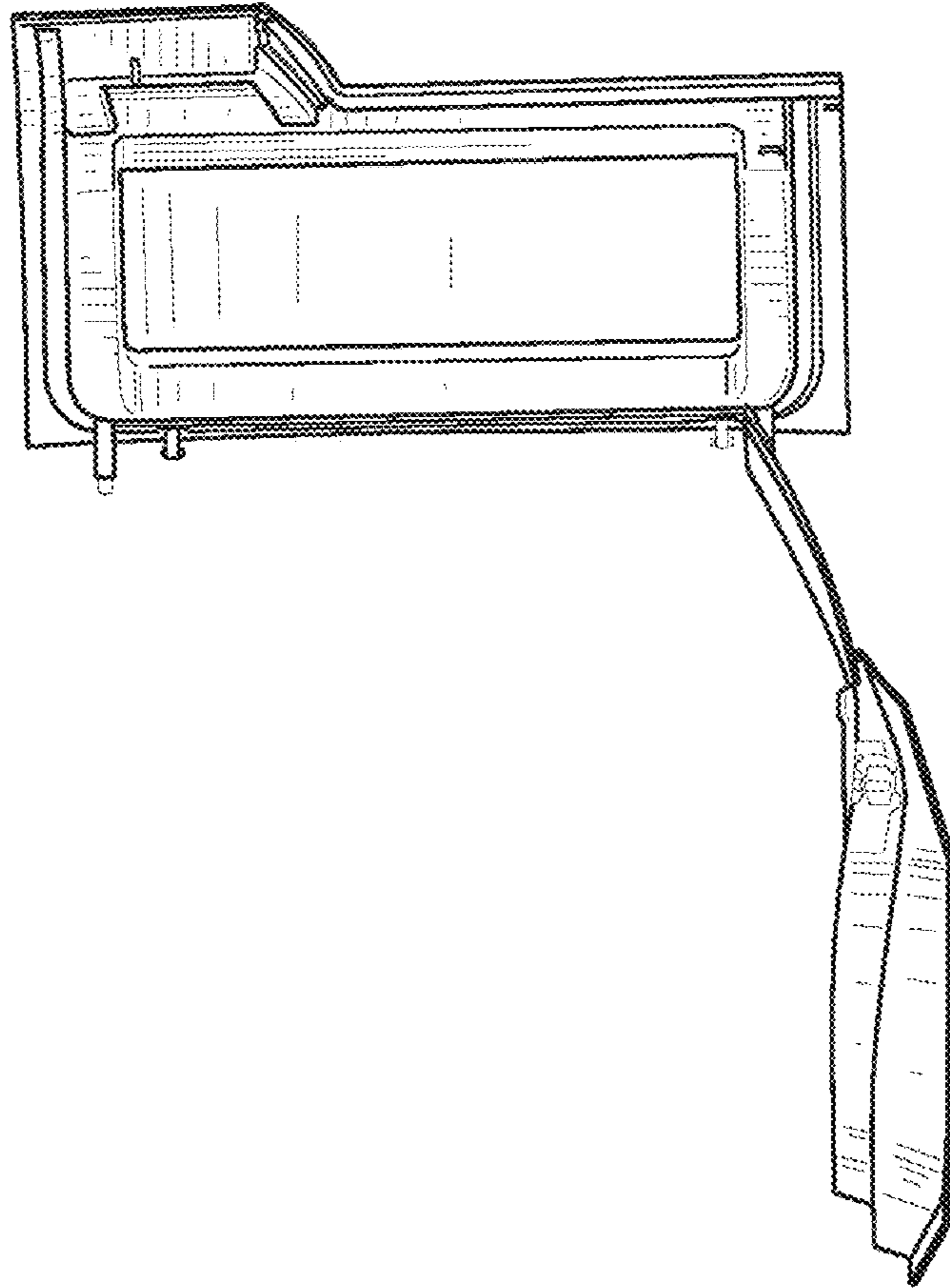


FIGURE 27

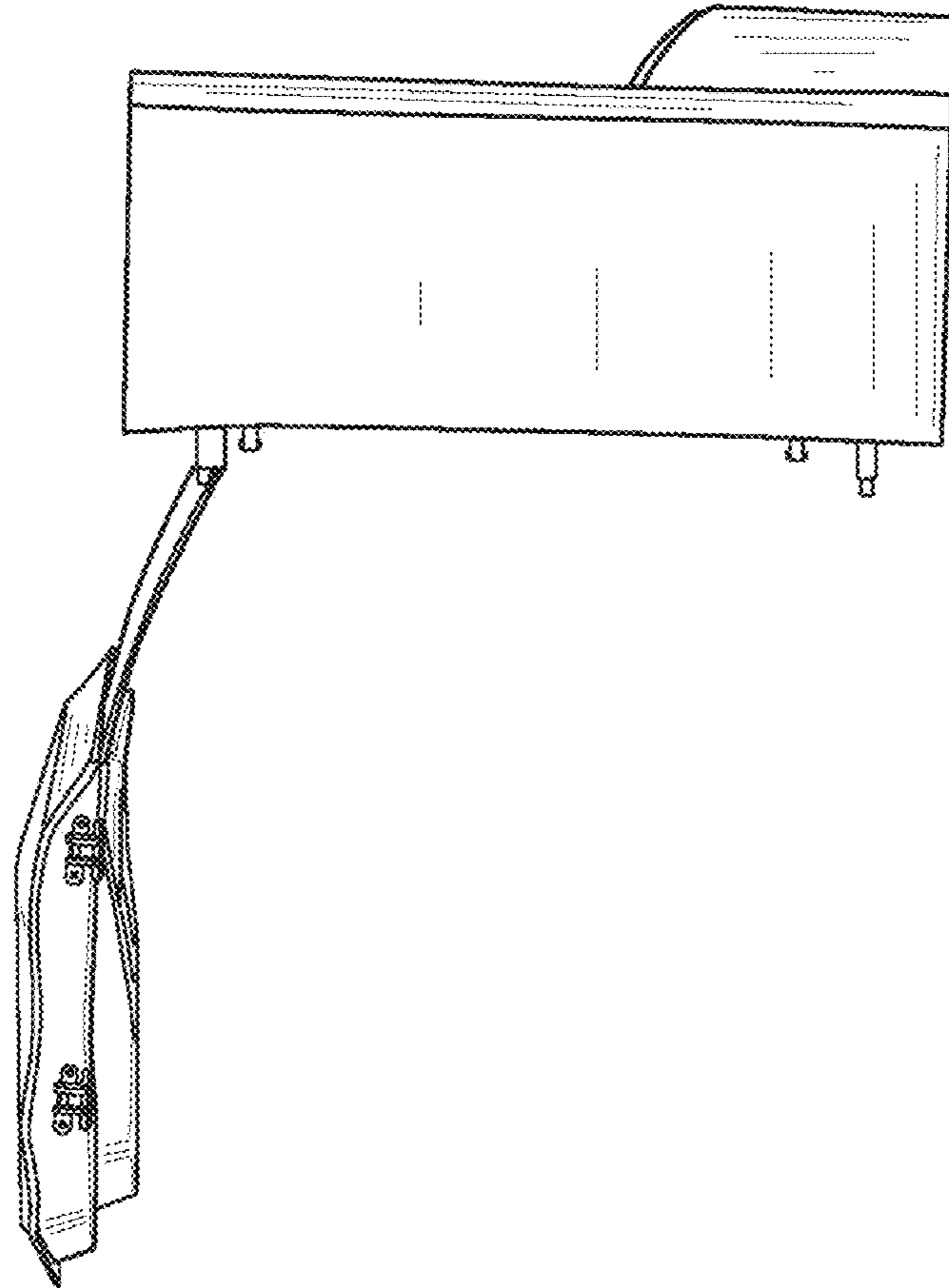


FIGURE 28

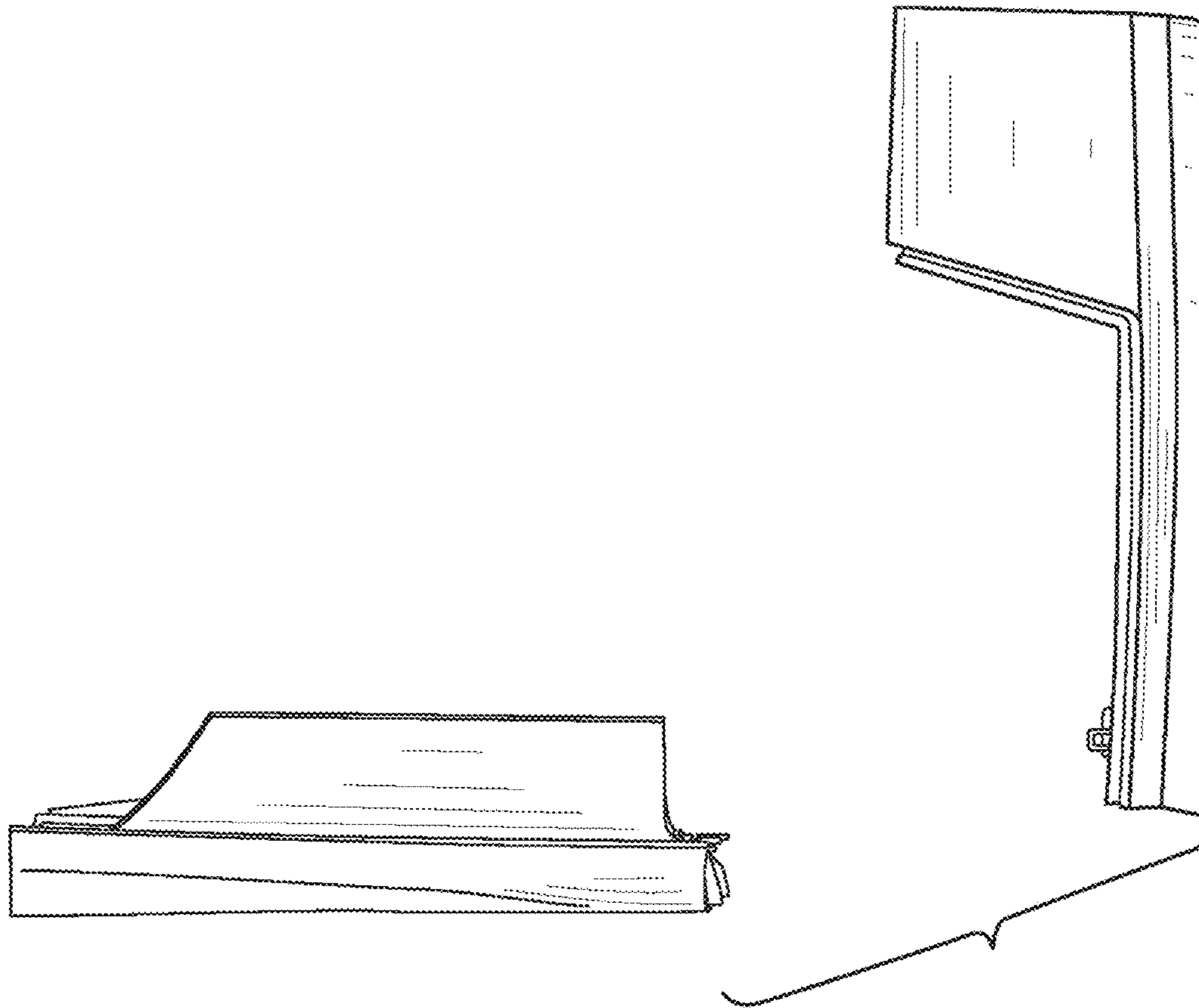


FIGURE 29

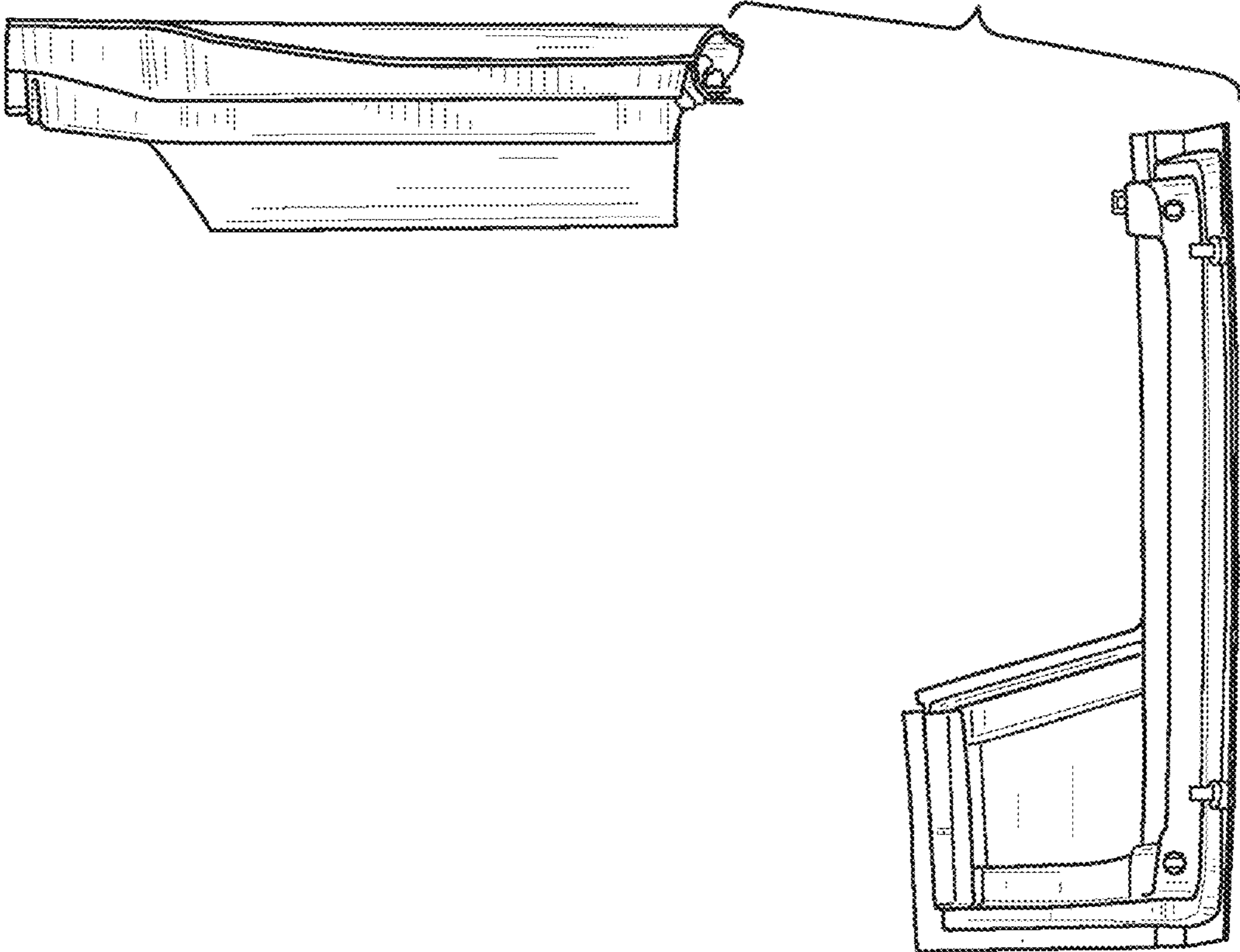


FIGURE 30

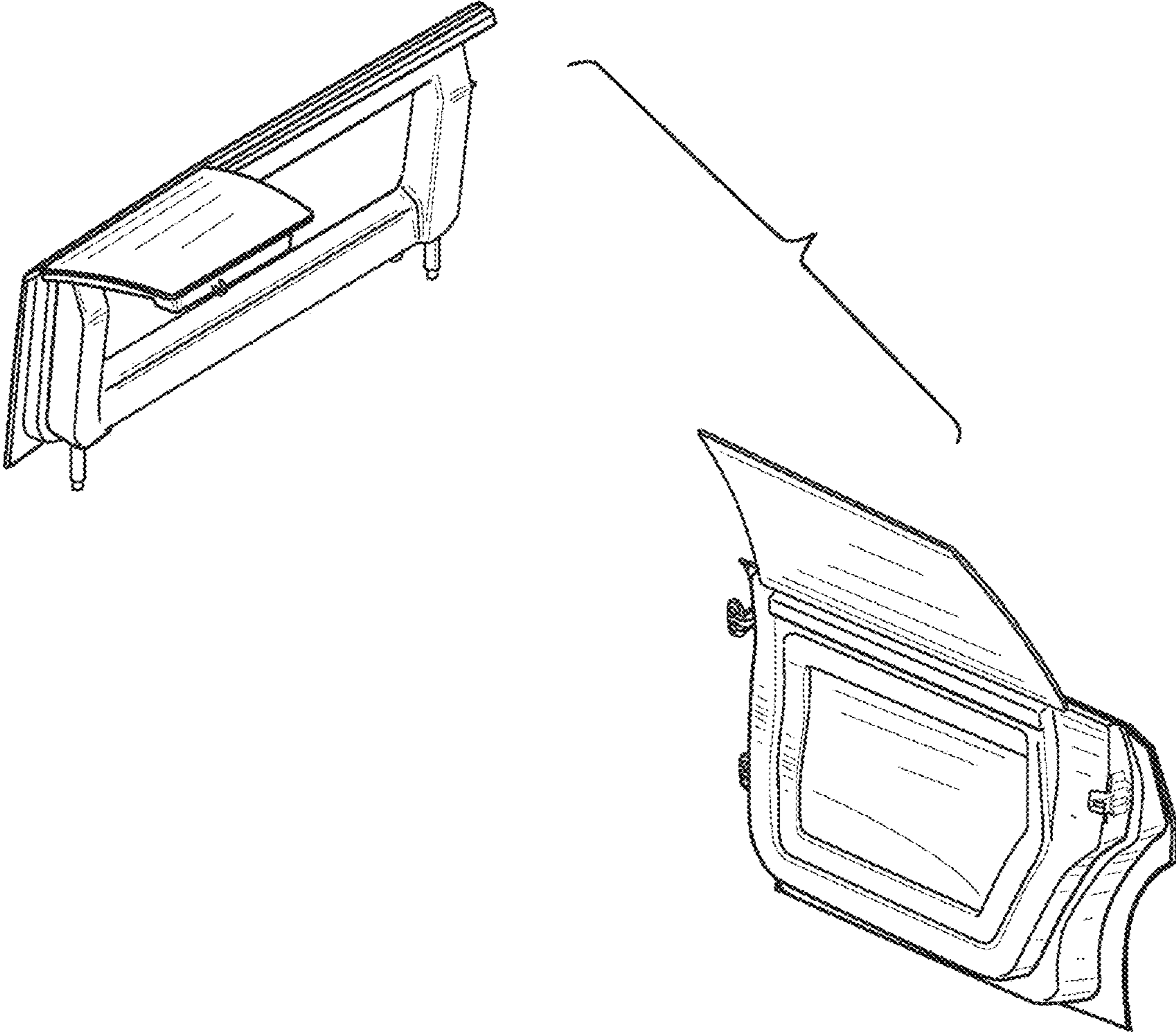


FIGURE 31

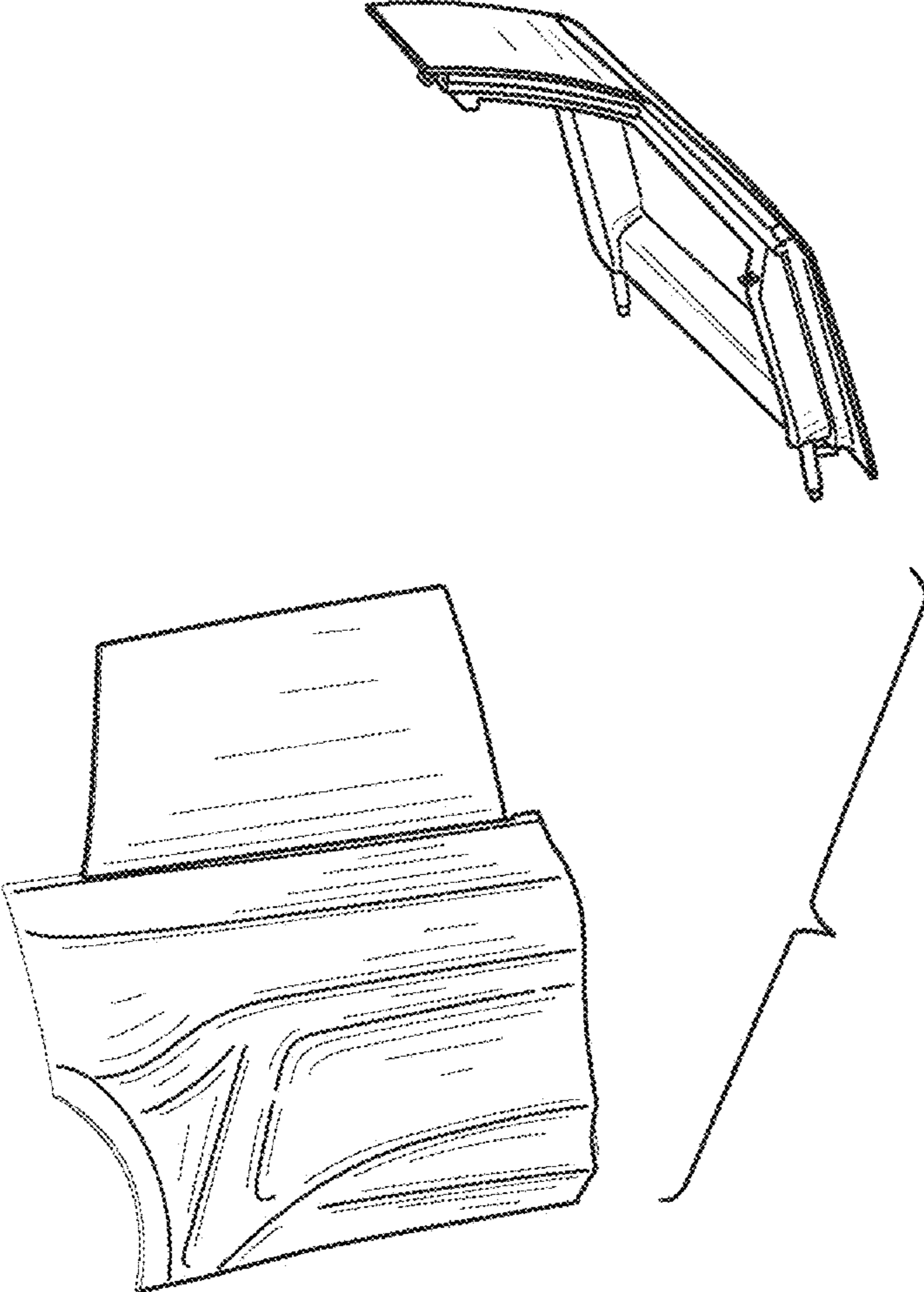


FIGURE 32