



US00D937725S

(12) **United States Design Patent**  
**Rolfs et al.**

(10) **Patent No.:** **US D937,725 S**

(45) **Date of Patent:** **\*\* Dec. 7, 2021**

(54) **AUTOMOBILE**

(71) Applicants: **Jeremy Rolfs**, Sylvan Lake, MI (US);  
**Nicholas Vardis**, Sylvan Lake, MI (US)

(72) Inventors: **Jeremy Rolfs**, Sylvan Lake, MI (US);  
**Nicholas Vardis**, Sylvan Lake, MI (US)

(73) Assignee: **FCA US LLC**, Auburn Hills, MI (US)

(\*\*) Term: **15 Years**

(21) Appl. No.: **29/605,325**

(22) Filed: **May 25, 2017**

(51) **LOC (13) Cl.** ..... **12-16**

(52) **U.S. Cl.**  
USPC ..... **D12/196**

(58) **Field of Classification Search**  
USPC ..... D12/86, 88, 90, 91, 92, 93, 96, 97, 173,  
D12/193, 196, 400  
CPC ..... E05B 79/00; E05B 79/06; E05B 79/20;  
E05B 81/56; E05B 81/80; E05B 65/00;  
E05B 65/06; E05B 65/10; E05B 65/12;  
B60J 5/04  
See application file for complete search history.

(56) **References Cited**

**U.S. PATENT DOCUMENTS**

7,380,864 B2 \* 6/2008 Guanzon ..... E05B 79/06  
16/412  
9,290,971 B2 \* 3/2016 Amagai ..... E05B 79/20

D766,791 S \* 9/2016 Buffery ..... D12/195  
D811,270 S \* 2/2018 Zhang ..... D12/91  
D820,754 S \* 6/2018 Buffery ..... D12/195  
D827,495 S \* 9/2018 Piscitelli ..... D12/91  
D840,886 S \* 2/2019 Schittko ..... D12/188  
D842,183 S \* 3/2019 Jackson ..... D12/195  
D842,386 S \* 3/2019 Barajas ..... D21/548  
D851,004 S \* 6/2019 Jackson ..... D12/196  
D853,921 S \* 7/2019 Buffery ..... D12/195

\* cited by examiner

*Primary Examiner* — Manpreet S Matharu

*Assistant Examiner* — Yolanda Robinson

(74) *Attorney, Agent, or Firm* — Ralph E. Smith

(57) **CLAIM**

The ornamental design for an automobile, as shown and described.

**DESCRIPTION**

FIG. 1 is right side view of an automobile showing our new design;

FIG. 2 is another right side view thereof;

FIG. 3 is a left side view thereof;

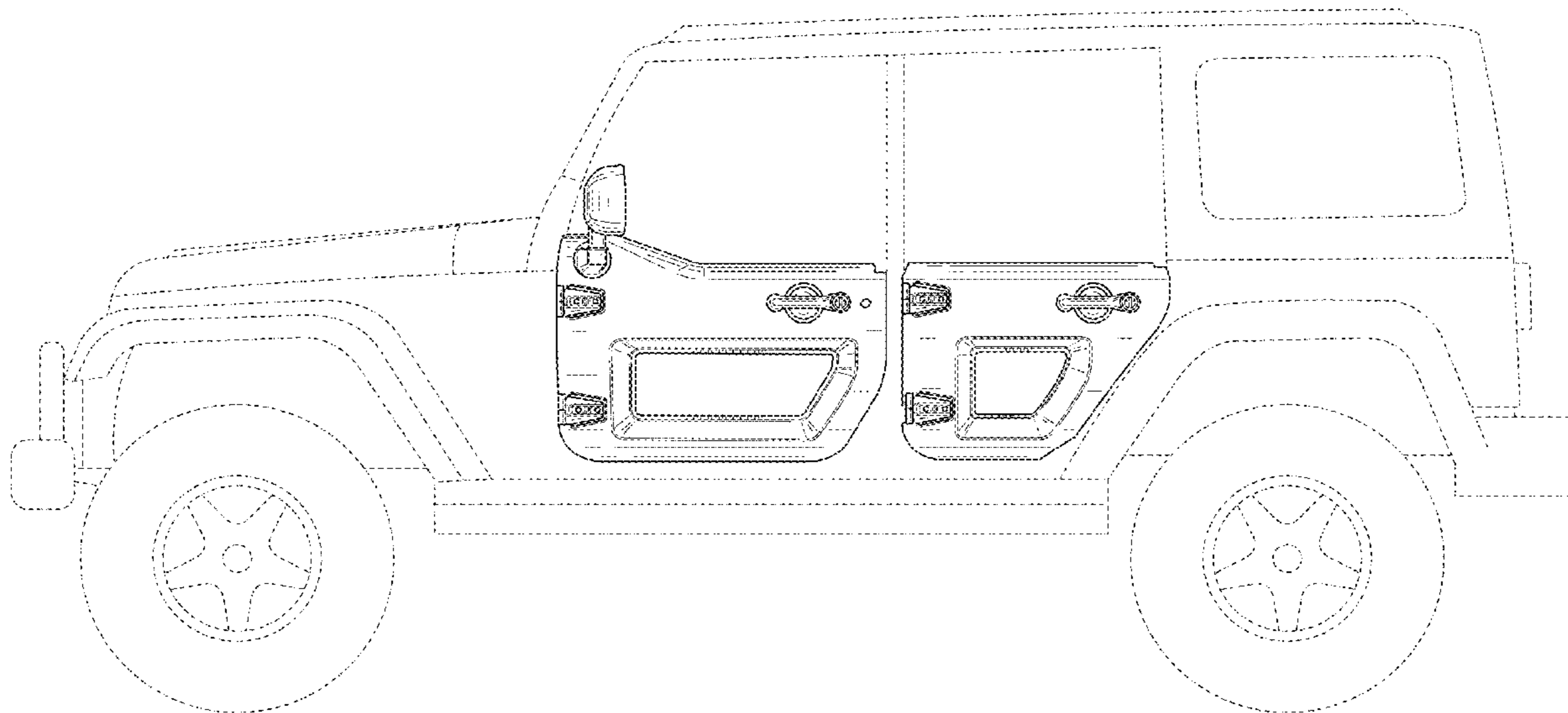
FIG. 4 is a top view thereof;

FIG. 5 is a rear view thereof; and,

FIG. 6 is a front view thereof.

It will be understood that the broken lines shown in the drawings illustrate portions of the automobile that form no part of the claimed design.

**1 Claim, 5 Drawing Sheets**



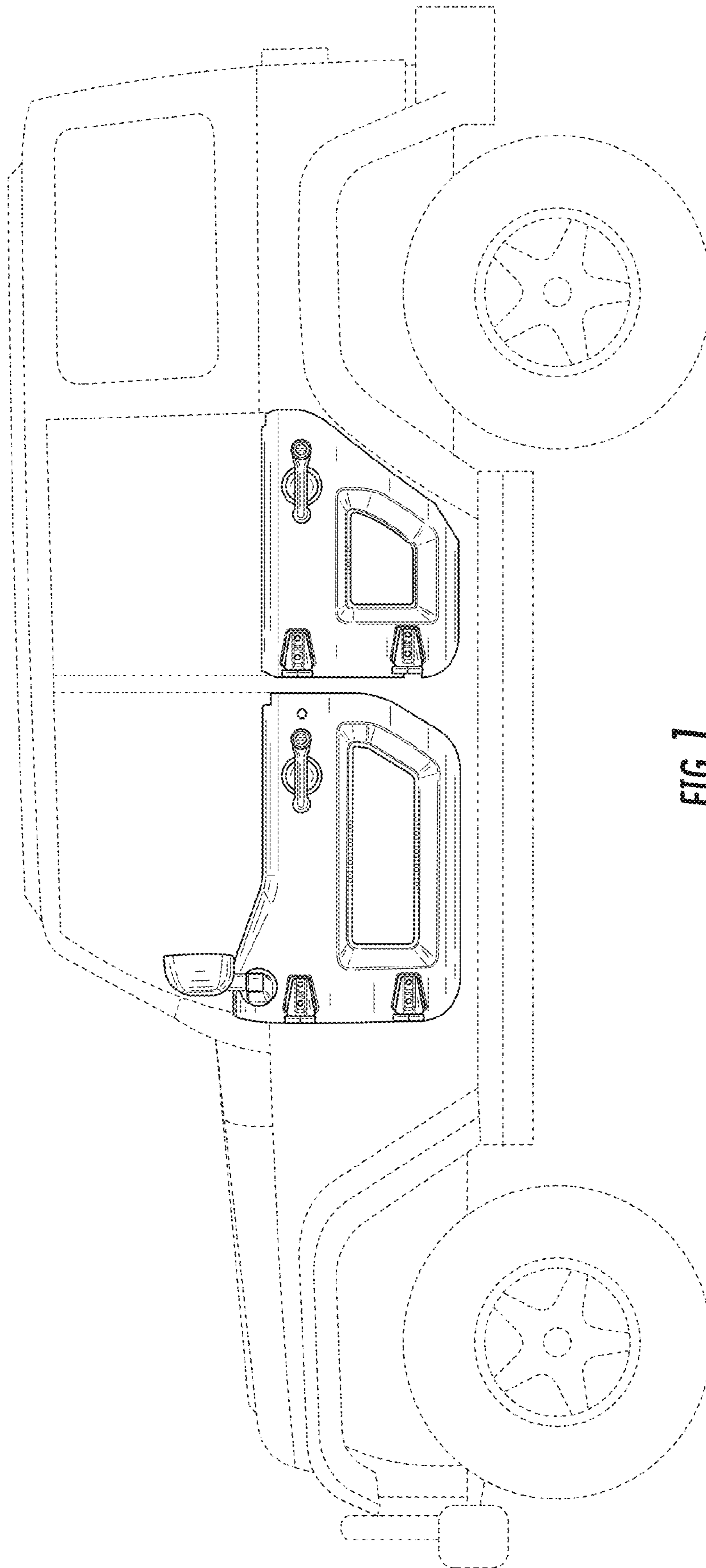


FIG. 1

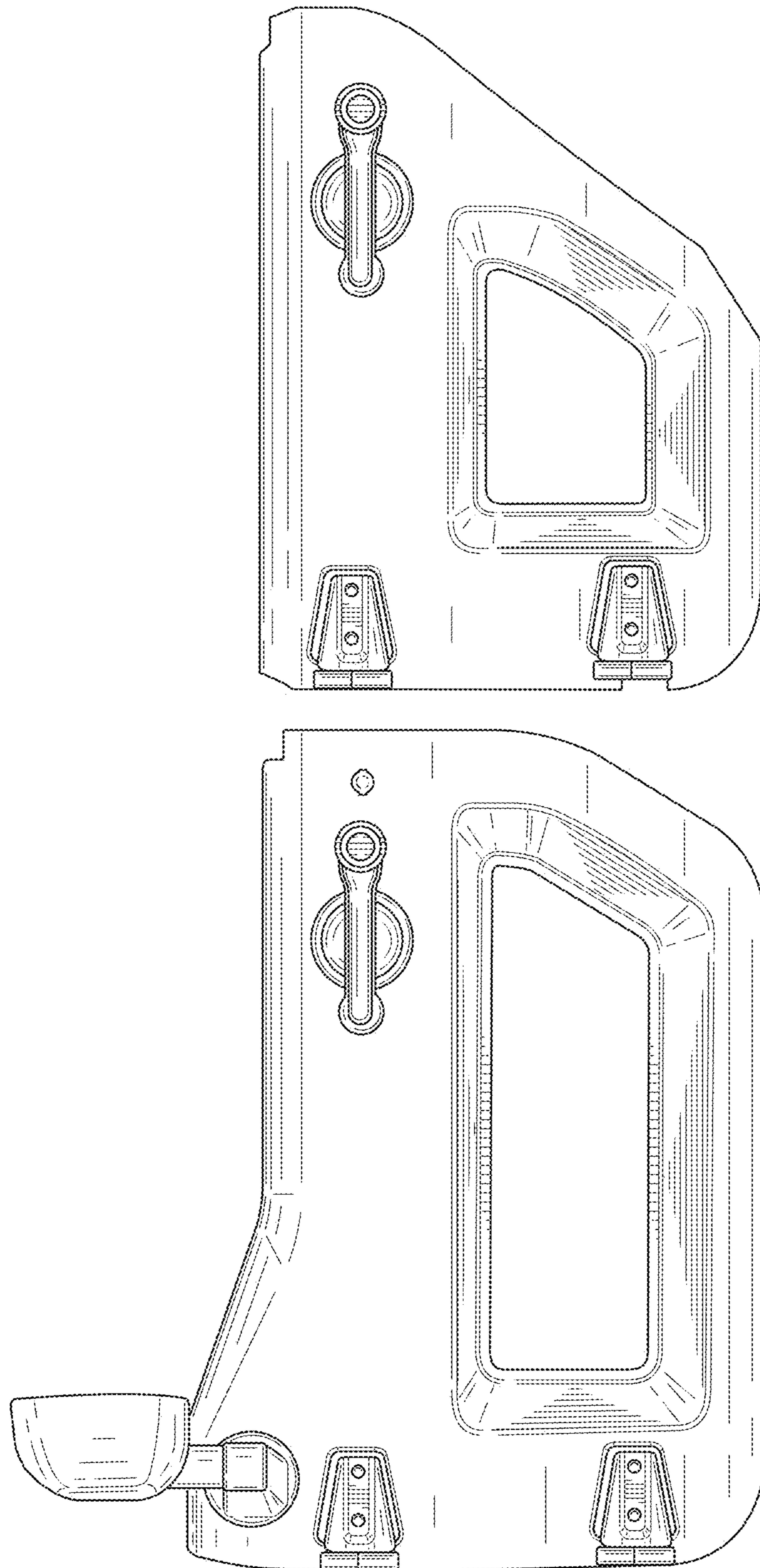


FIG. 2

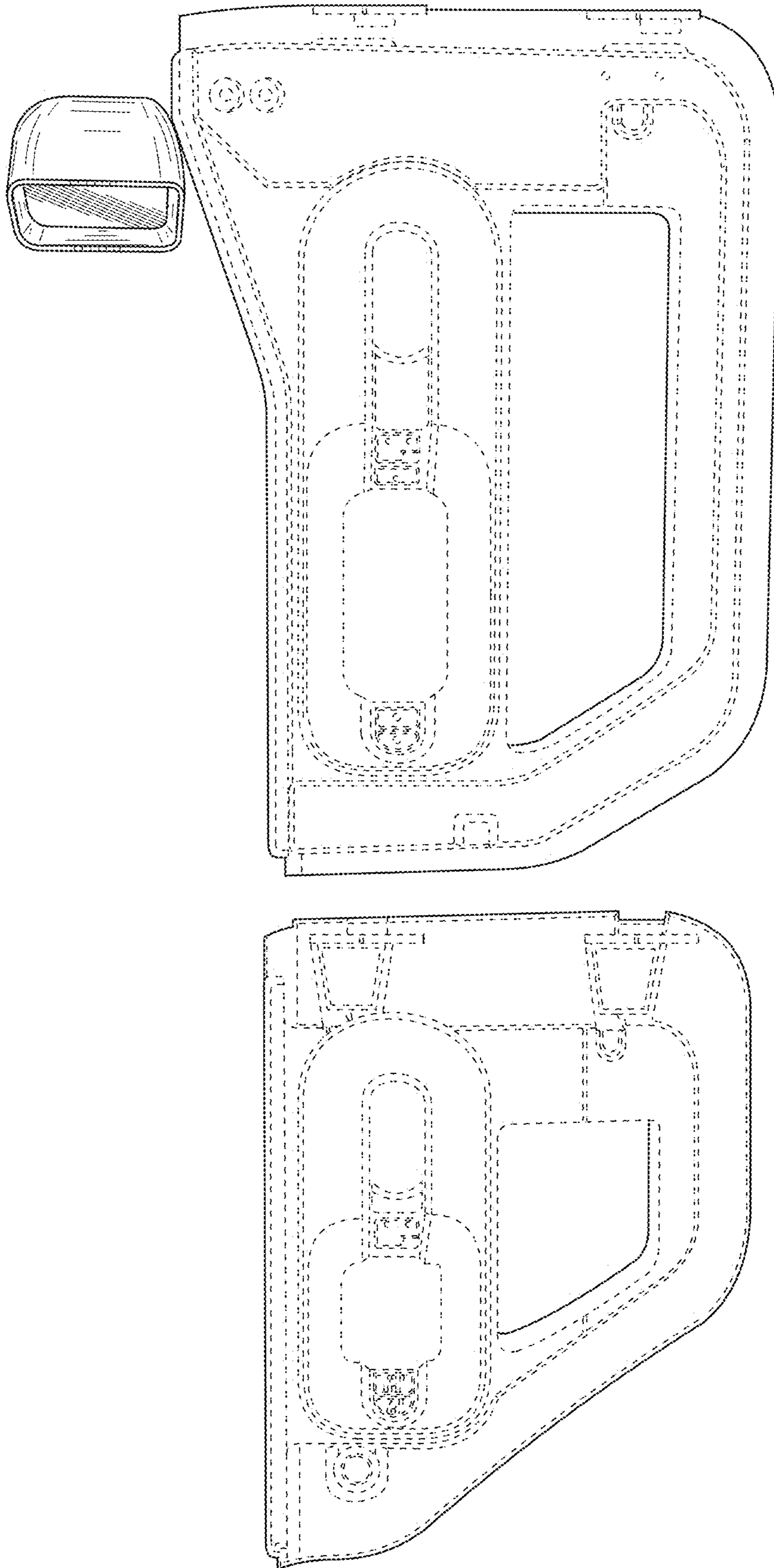


FIG. 3

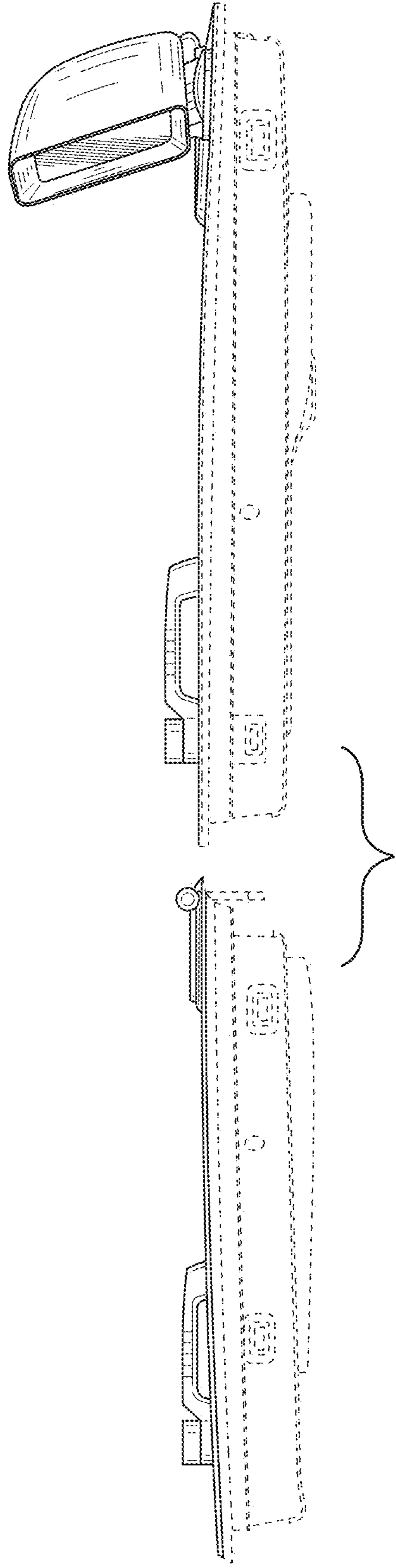


FIG. 4

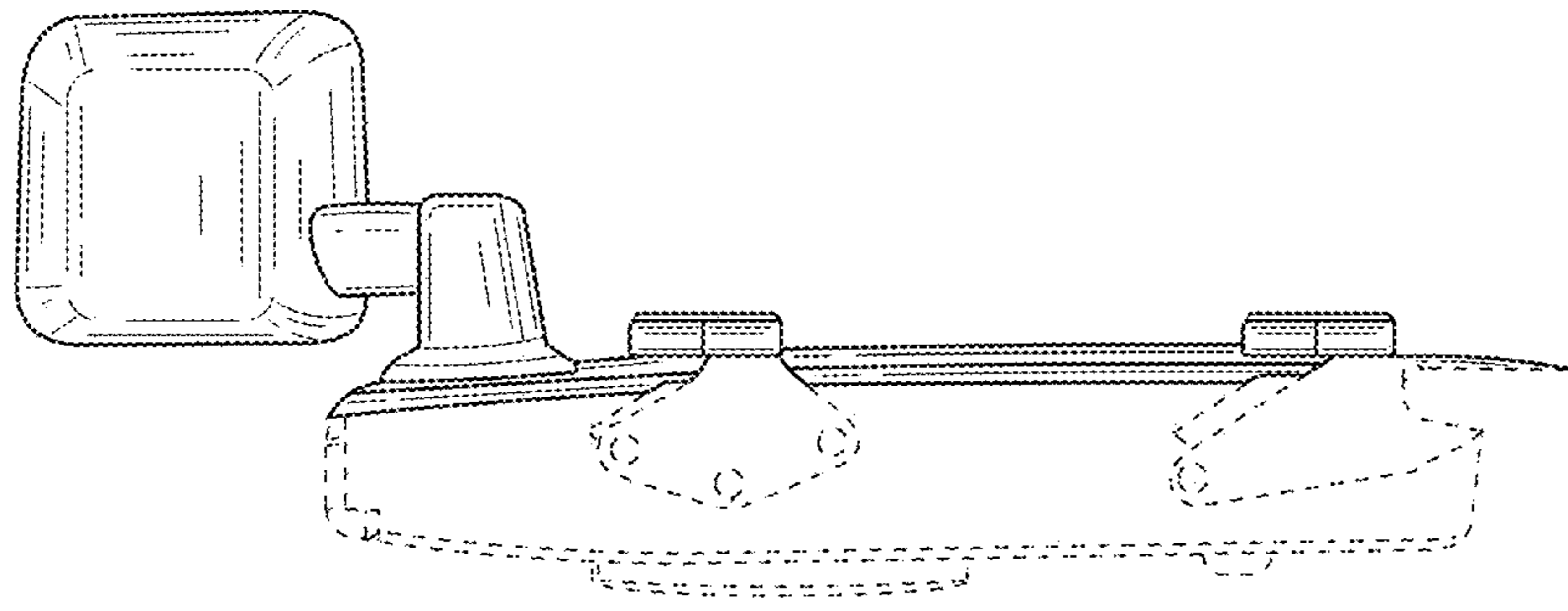


FIG. 6

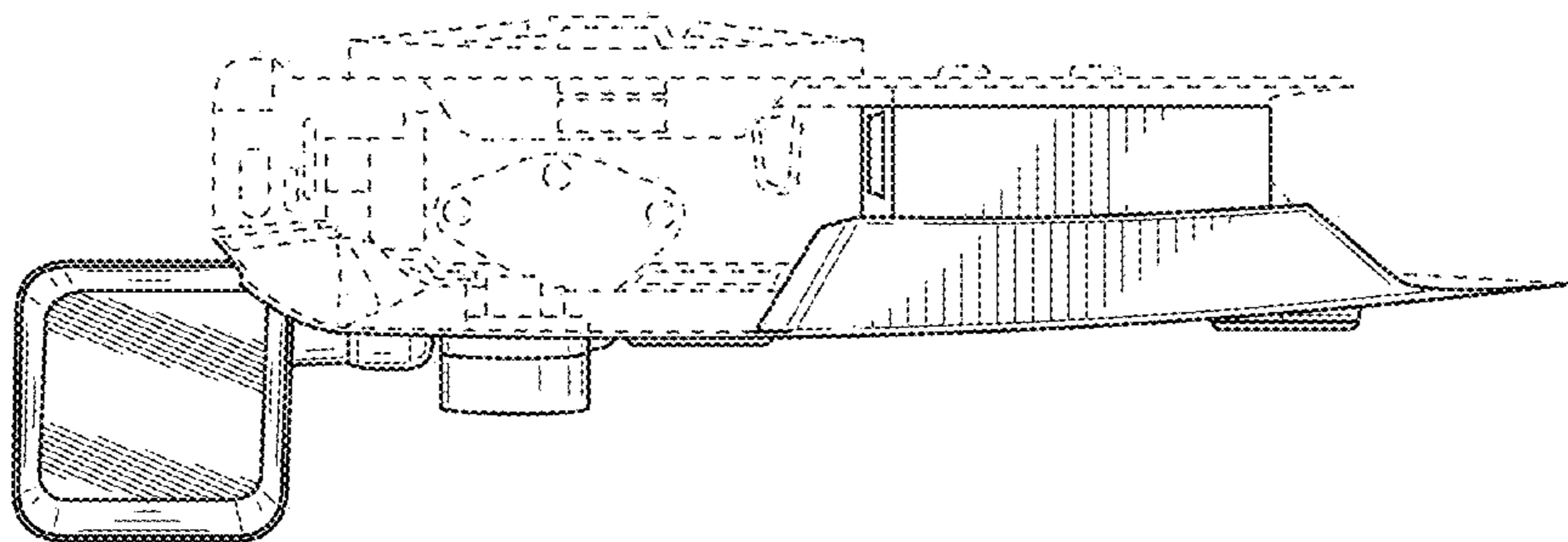


FIG. 5