

US00D937724S

(12) **United States Design Patent** (10) **Patent No.:** **US D937,724 S**
Akrapovic et al. (45) **Date of Patent:** **** Dec. 7, 2021**

(54) **MUFFLER FOR MOTORCYCLES**
(71) Applicant: **Igor Akrapovic**, Ljubljana (SI)
(72) Inventors: **Igor Akrapovic**, Ljubljana (SI); **Ermin Kosovel**, Zgornje Gorje (SI); **Boštjan Veber**, Polzela (SI); **Urban Potocnik**, Lesce (SI); **Dorian Tomažin**, Krško (SI); **Jaka Caric**, Škofljica (SI); **Boris Stanic**, Koper (SI)

4,866,933 A * 9/1989 Kao F01N 1/166
60/312
5,036,585 A * 8/1991 Schweinfurth F01N 13/185
29/890.08
6,158,214 A * 12/2000 Kempka F01N 13/1888
60/302
D496,313 S * 9/2004 Suzuki D12/194
6,868,939 B2 * 3/2005 Ziehl F01N 1/082
181/227

(Continued)

(**) Term: **15 Years**
(21) Appl. No.: **35/509,301**
(22) Filed: **Mar. 27, 2020**
(80) **Hague Agreement Data**
Int. Filing Date: **Mar. 27, 2020**
Int. Reg. No.: **DM/207677**
Int. Reg. Date: **Mar. 27, 2020**
Int. Reg. Pub. Date: **May 8, 2020**

(30) **Foreign Application Priority Data**
Oct. 30, 2019 (EM) 007143201
(51) **LOC (13) Cl.** **12-16**
(52) **U.S. Cl.**
USPC **D12/194**
(58) **Field of Classification Search**
USPC D12/194; D15/5
CPC ... F01N 1/04; F01N 1/24; F01N 13/08; F01N
13/082; F01N 13/085; F01N 13/087
See application file for complete search history.

(56) **References Cited**
U.S. PATENT DOCUMENTS
3,515,242 A * 6/1970 Lytle F01N 1/089
181/268
3,863,733 A * 2/1975 Raudman, Jr. F01N 1/00
181/252
4,683,978 A * 8/1987 Venter F01N 1/12
181/258

OTHER PUBLICATIONS

Car Bibles Staff. "The Best Motorcycle Exhaust Systems (Review) in 2021." Car Bibles., Oct. 21, 2019 [online], [retrieved on Jul. 26, 2021]. Retrieved from the Internet <URL: <https://www.carbibles.com/best-motorcycle-exhaust/>>.*

(Continued)

Primary Examiner — Darlington Ly
(74) *Attorney, Agent, or Firm* — Olson & Cepuritis, Ltd.; Shawn E. Duckworth, Esq.

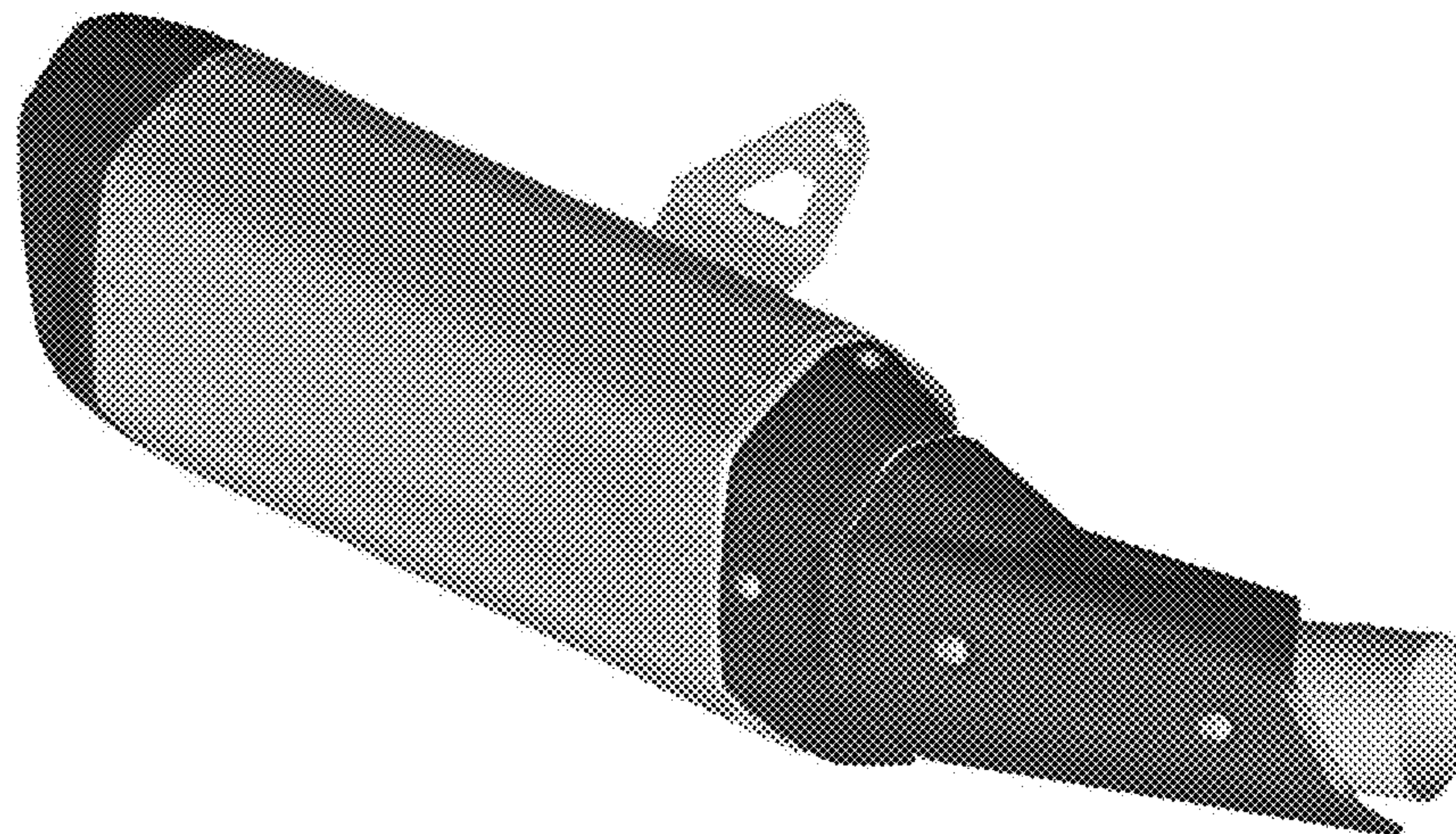
(57) **CLAIM**

The ornamental design for a muffler for motorcycles, as shown and described.

DESCRIPTION

1. Muffler for motorcycles
FIG. 1.1 is a top, front, and right side perspective view of a muffler for motorcycles embodying our new design;
FIG. 1.2 is a right side elevation view thereof;
FIG. 1.3 is a bottom, rear and right side perspective view thereof;
FIG. 1.4 is a rear elevation view thereof;
FIG. 1.5 is a top plan view thereof;
FIG. 1.6 is a left side elevation view thereof;
FIG. 1.7 is a bottom plan view thereof;
FIG. 1.8 is a front elevation view thereof; and
FIG. 1.9 is a top, front, and left side perspective view thereof.

1 Claim, 9 Drawing Sheets



(56)

References Cited

U.S. PATENT DOCUMENTS

D550,134 S * 9/2007 Akrapovic D12/194
 D573,520 S * 7/2008 Kouchi D12/194
 7,464,789 B2 * 12/2008 Yamamoto F01N 1/089
 181/212
 D589,422 S * 3/2009 Davis, Jr. D12/194
 D685,308 S * 7/2013 Verlengiere D12/194
 D803,744 S * 11/2017 Akrapovic D12/194
 D804,381 S * 12/2017 Akrapovic D12/194
 D804,382 S * 12/2017 Akrapovic D12/194
 D804,383 S * 12/2017 Akrapovic D12/194
 D833,936 S * 11/2018 Akrapovic D12/194
 D836,514 S * 12/2018 Akrapovic D12/194
 D837,119 S * 1/2019 Akrapovic D12/194
 D840,887 S * 2/2019 Akrapovic D12/194
 D854,476 S * 7/2019 Akrapovic D12/194
 D875,010 S * 2/2020 Akrapovic D12/194
 D906,917 S * 1/2021 Akrapovic D12/194
 2004/0089500 A1 * 5/2004 Lewis F01N 13/18
 181/249
 2008/0121456 A1 * 5/2008 Davis F01N 13/20
 180/309

OTHER PUBLICATIONS

Car Bibles Staff. "10 Best Motorcycle Exhaust Systems (Review) in 2021." Car Bibles., Aug. 6, 2020 [online], [retrieved on Jul. 26, 2021]. Retrieved from the Internet <URL: <https://gearsustain.com/best-motorcycle-exhaust>>.*

"Best Sportbike Exhausts." Motorcycle., Aug. 8, 2019 [online], [retrieved on Jul. 26, 2021]. Retrieved from the Internet <URL: <https://www.motorcycle.com/products/motested-ktm-powerparts-wave-brake-discs>>.*

* cited by examiner

FIG. 1.1

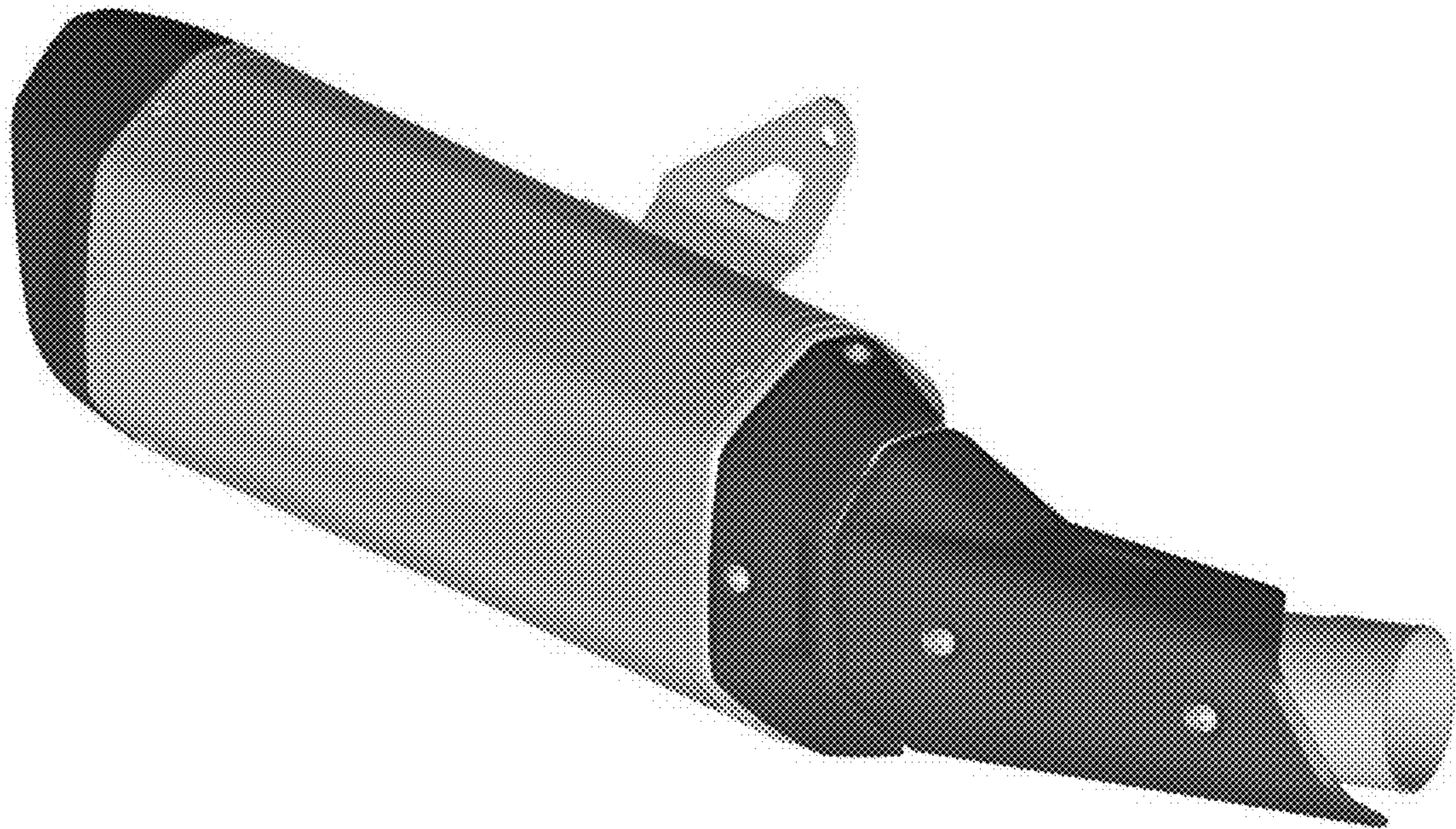


FIG. 1.2

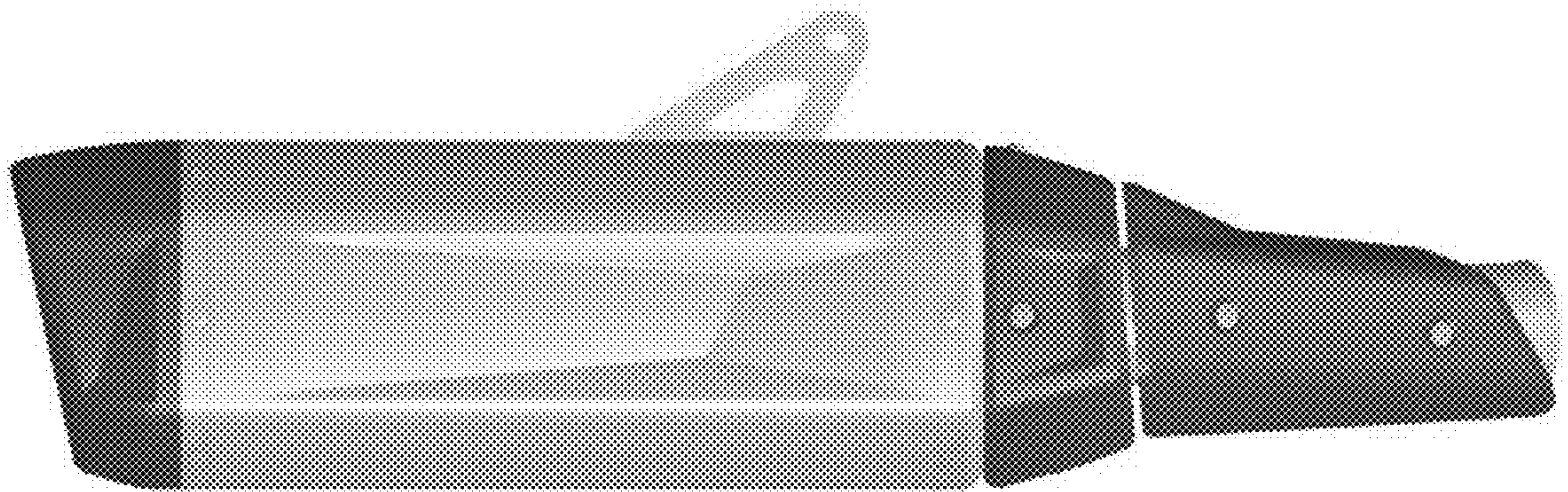


FIG. 1.3



FIG. 1.4



FIG. 1.5

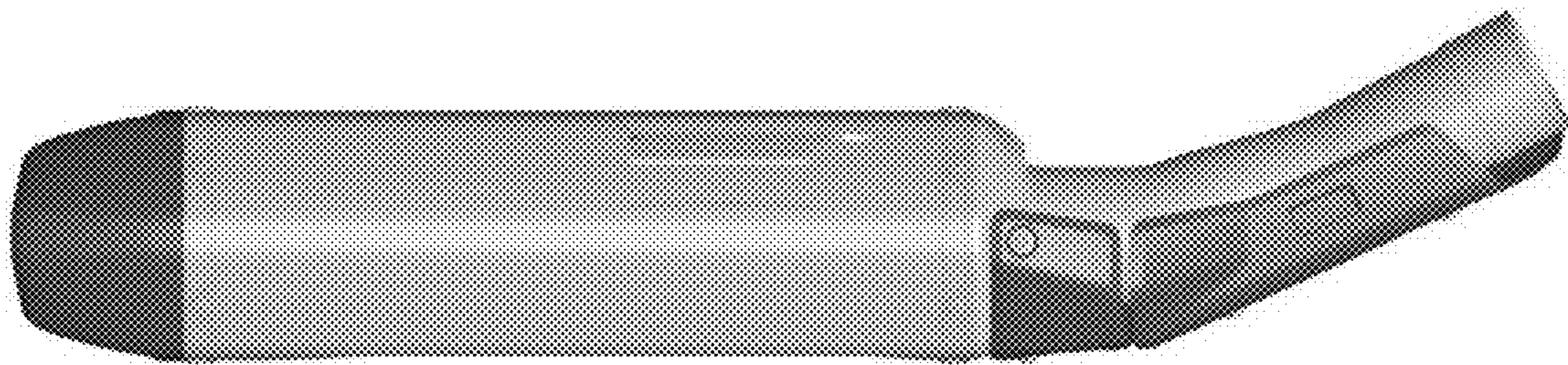


FIG. 1.6

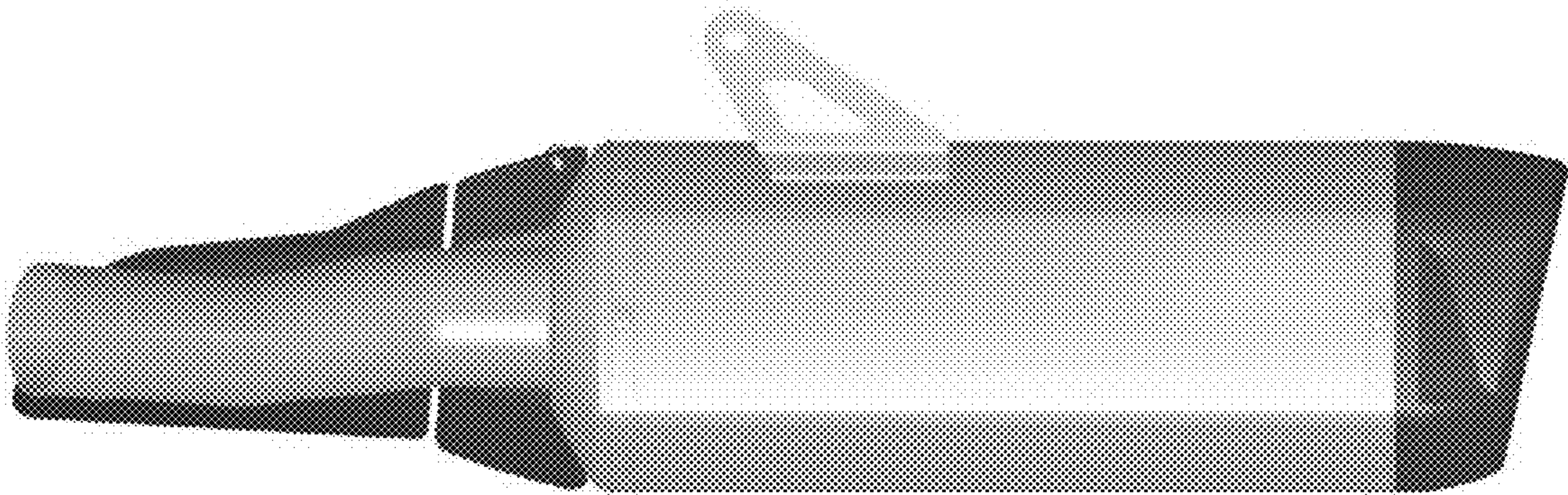


FIG. 1.7

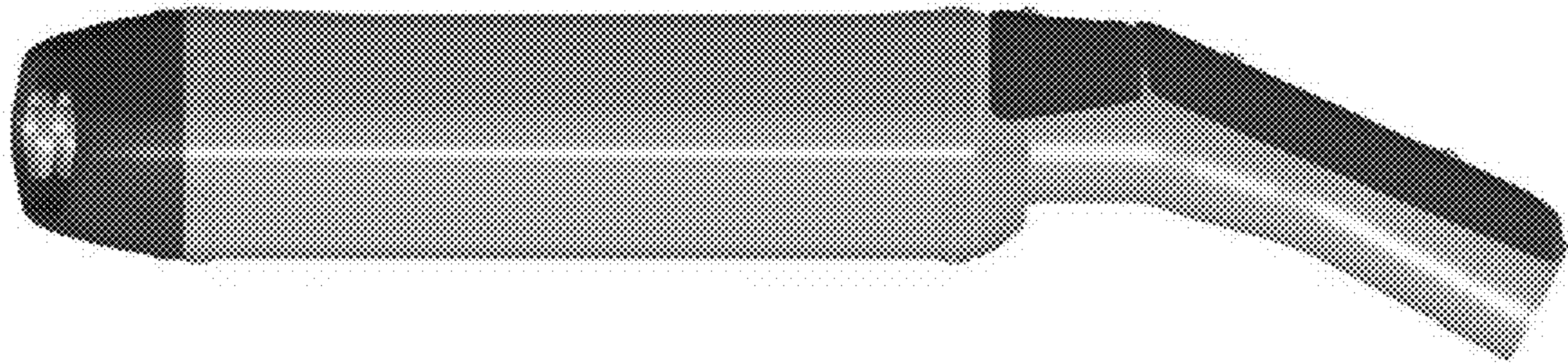


FIG. 1.8

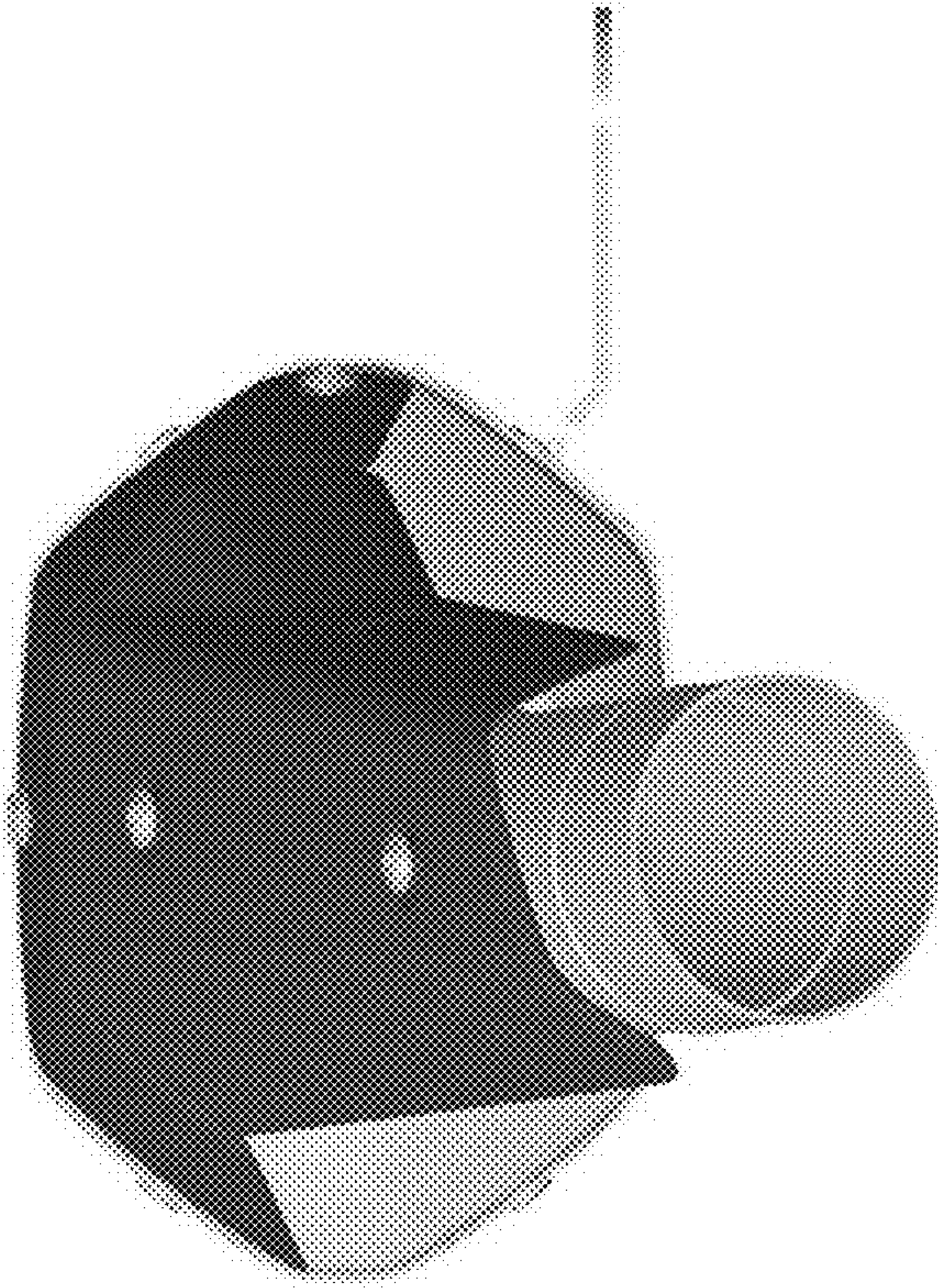


FIG. 1.9

