



US00D937723S

(12) **United States Design Patent** (10) **Patent No.:** **US D937,723 S**
Akrapovic et al. (45) **Date of Patent:** **** Dec. 7, 2021**

(54) **MUFFLER FOR MOTORCYCLES**
(71) Applicant: **Igor Akrapovic**, Ljubljana (SI)
(72) Inventors: **Igor Akrapovic**, Ljubljana (SI); **Ermin Kosovel**, Zgornje Gorje (SI); **Boštjan Veber**, Polzela (SI); **Urban Potocnik**, Lesce (SI); **Dorian Tomažin**, Krško (SI); **Jaka Caric**, Škofljica (SI); **Boris Stanic**, Koper (SI)

4,866,933 A * 9/1989 Kao F01N 1/166
60/312
5,036,585 A * 8/1991 Schweinfurth F01N 13/185
29/890.08
6,158,214 A * 12/2000 Kempka F01N 13/1888
60/302
D496,313 S * 9/2004 Suzuki D12/194
6,868,939 B2 * 3/2005 Ziehl F01N 1/082
181/227

(Continued)

(**) Term: **15 Years**
(21) Appl. No.: **35/509,279**
(22) Filed: **Mar. 27, 2020**
(80) **Hague Agreement Data**
Int. Filing Date: **Mar. 27, 2020**
Int. Reg. No.: **DM/207673**
Int. Reg. Date: **Mar. 27, 2020**
Int. Reg. Pub. Date: **May 8, 2020**

(30) **Foreign Application Priority Data**
Oct. 30, 2019 (EM) 007145206-0001
(51) **LOC (13) Cl.** **12-16**
(52) **U.S. Cl.**
USPC **D12/194**
(58) **Field of Classification Search**
USPC D12/194; D15/5
CPC ... F01N 1/04; F01N 1/24; F01N 13/08; F01N
13/082; F01N 13/085; F01N 13/087
See application file for complete search history.

(56) **References Cited**
U.S. PATENT DOCUMENTS
3,515,242 A * 6/1970 Lytle F01N 1/089
181/268
3,863,733 A * 2/1975 Raudman, Jr. F01N 1/00
181/252
4,683,978 A * 8/1987 Venter F01N 1/12
181/258

OTHER PUBLICATIONS

Car Bibles Staff. "The Best Motorcycle Exhaust Systems (Review) in 2021." Car Bibles., Oct. 21, 2019 [online], [retrieved on Jul. 26, 2021]. Retrieved from the Internet <URL: <https://www.carbibles.com/best-motorcycle-exhaust/>>.*

(Continued)

Primary Examiner — Darlington Ly
(74) *Attorney, Agent, or Firm* — Olson & Cepuritis, Ltd.; Shawn E. Duckworth, Esq.

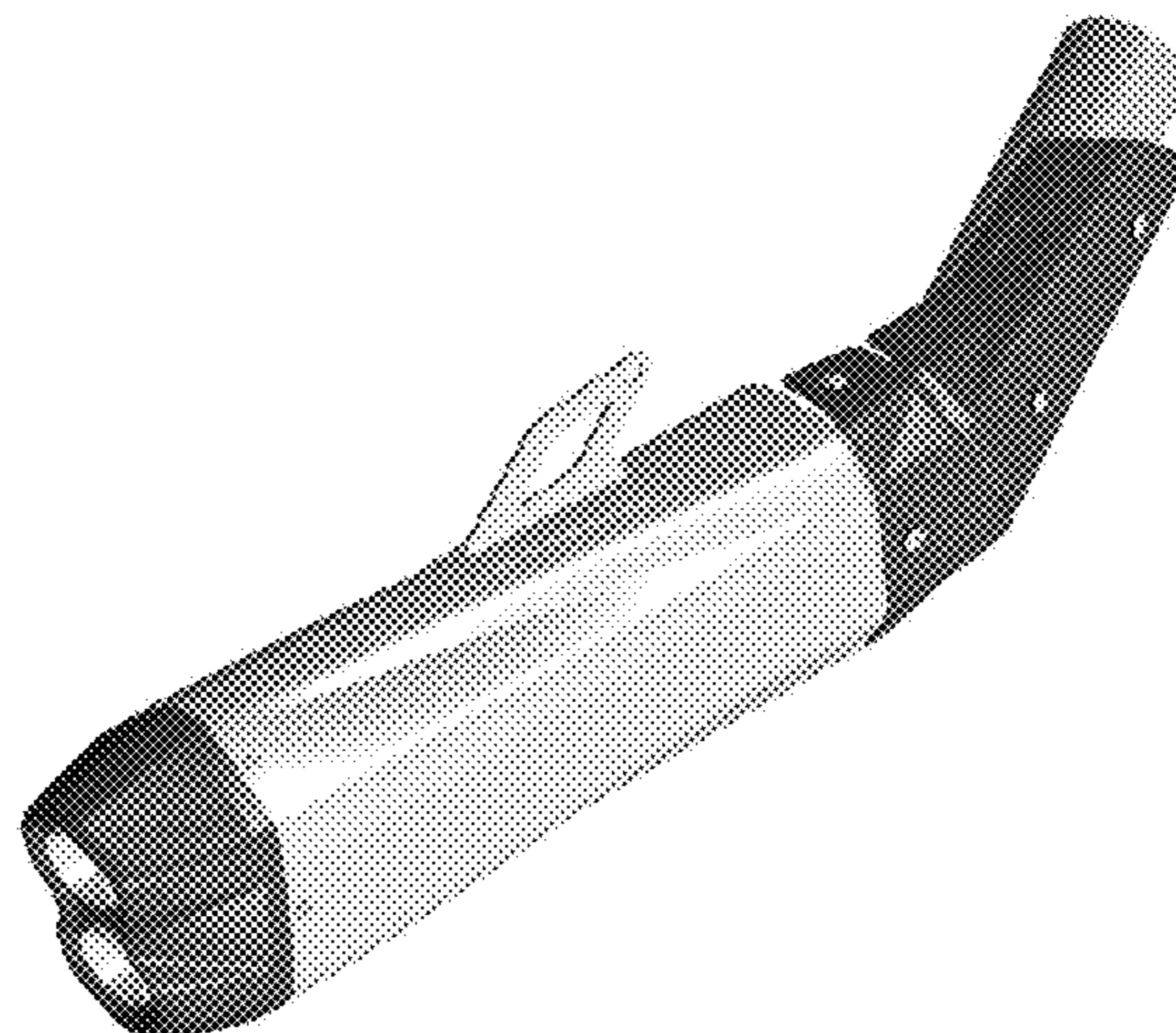
(57) **CLAIM**

The ornamental design for a muffler for motorcycles, as shown and described.

DESCRIPTION

1. Muffler for motorcycles
FIG. 1.1 is a top, rear, and right side perspective view of a muffler for motorcycles embodying our new design;
FIG. 1.2 is a bottom, front, and right side perspective view thereof;
FIG. 1.3 is a right side elevation view thereof;
FIG. 1.4 is a left side elevation view thereof;
FIG. 1.5 is a rear elevation view thereof;
FIG. 1.6 is a top plan view thereof;
FIG. 1.7 is a bottom plan view thereof;
FIG. 1.8 is a bottom, rear, and left side perspective view thereof; and
FIG. 1.9 is a front elevation view thereof.

1 Claim, 9 Drawing Sheets



(56)

References Cited

U.S. PATENT DOCUMENTS

D550,134	S *	9/2007	Akrapovic	D12/194
D573,520	S *	7/2008	Kouchi	D12/194
7,464,789	B2 *	12/2008	Yamamoto	F01N 1/089 181/212
D589,422	S *	3/2009	Davis, Jr.	D12/194
D685,308	S *	7/2013	Verlengiere	D12/194
D803,744	S *	11/2017	Akrapovic	D12/194
D804,381	S *	12/2017	Akrapovic	D12/194
D804,382	S *	12/2017	Akrapovic	D12/194
D804,383	S *	12/2017	Akrapovic	D12/194
D833,936	S *	11/2018	Akrapovic	D12/194
D836,514	S *	12/2018	Akrapovic	D12/194
D837,119	S *	1/2019	Akrapovic	D12/194
D840,887	S *	2/2019	Akrapovic	D12/194
D854,476	S *	7/2019	Akrapovic	D12/194
D875,010	S *	2/2020	Akrapovic	D12/194
D906,917	S *	1/2021	Akrapovic	D12/194
2004/0089500	A1 *	5/2004	Lewis	F01N 13/18 181/249
2008/0121456	A1 *	5/2008	Davis	F01N 13/20 180/309

OTHER PUBLICATIONS

Car Bibles Staff. "10 Best Motorcycle Exhaust Systems (Review) in 2021." Car Bibles., Aug. 6, 2020 [online], [retrieved on Jul. 26, 2021]. Retrieved from the Internet <URL: <https://gearsustain.com/best-motorcycle-exhaust>>.*

"Best Sportbike Exhausts." Motorcycle., Aug. 8, 2019 [online], [retrieved on Jul. 26, 2021]. Retrieved from the Internet <URL: <https://www.motorcycle.com/products/motested-ktm-powerparts-wave-brake-discs>>.*

* cited by examiner

FIG. 1.1



FIG. 1.2

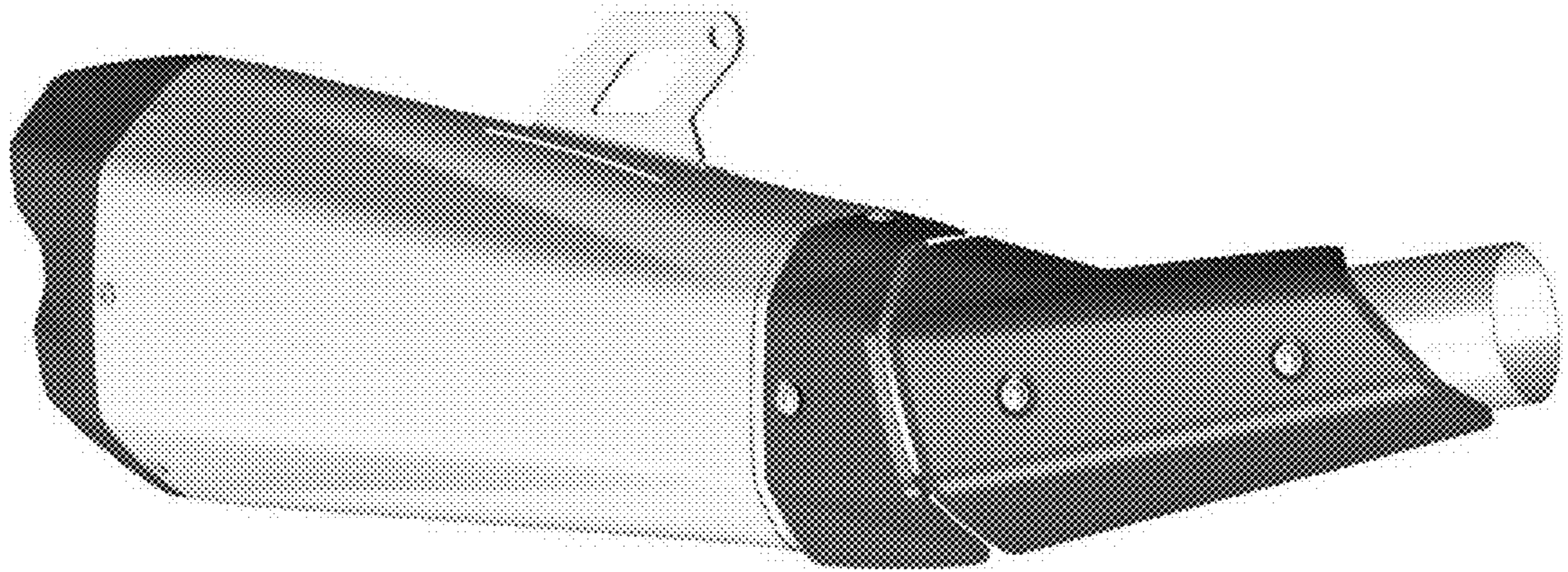


FIG. 1.3

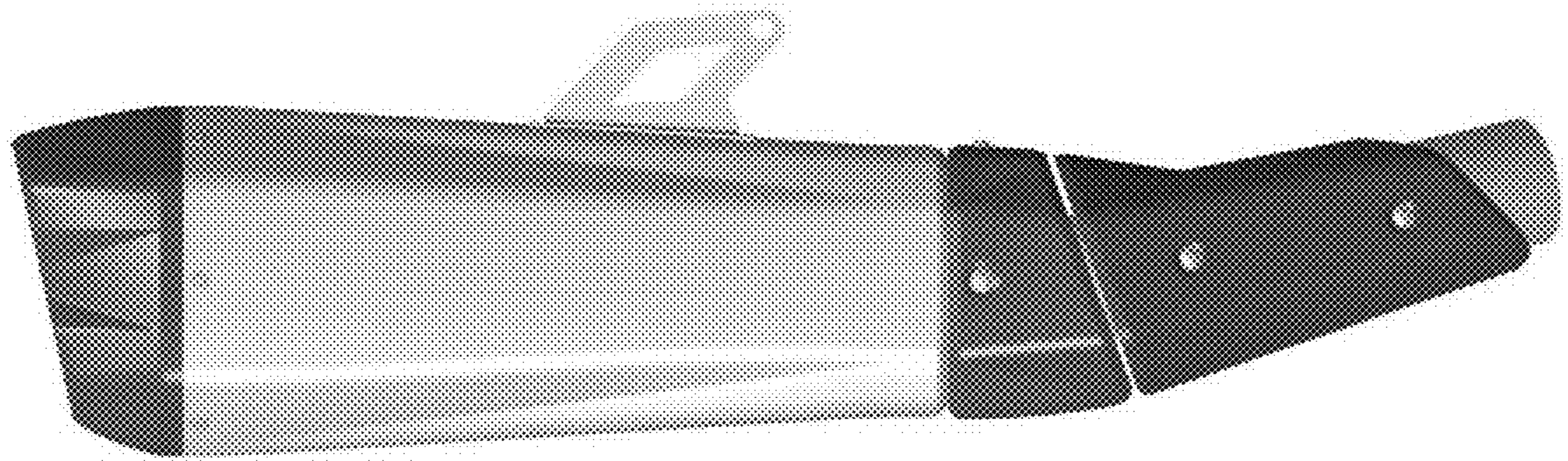


FIG. 1.4

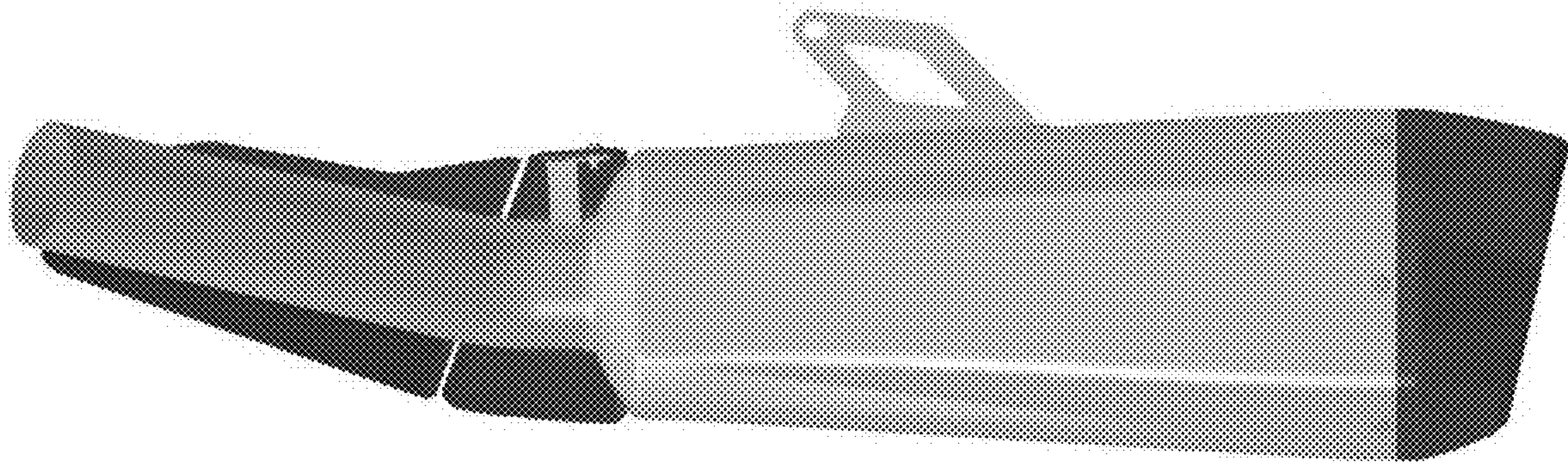


FIG. 1.5



FIG. 1.6

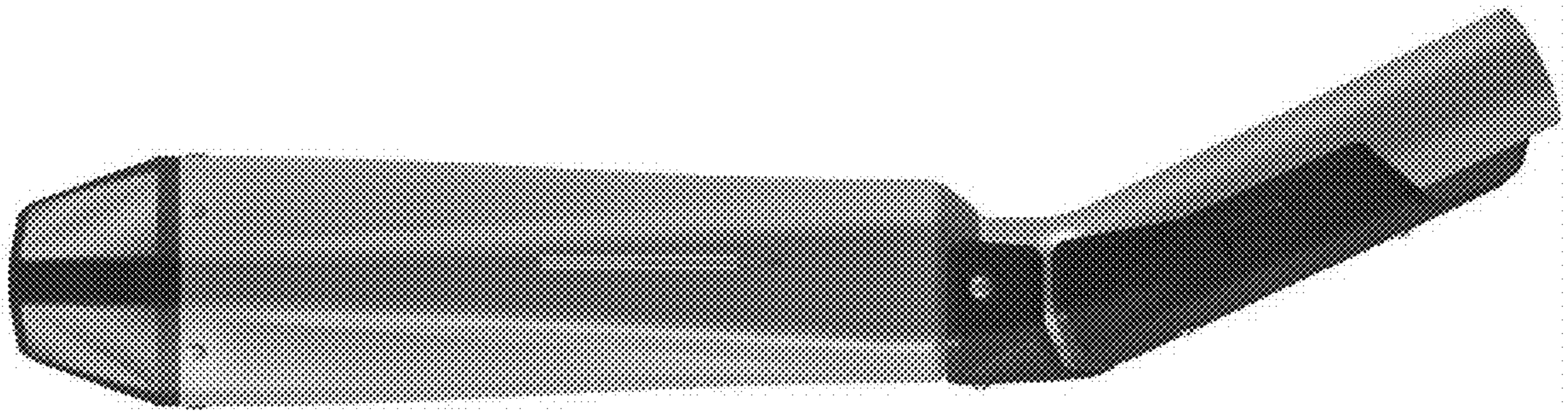


FIG. 1.7

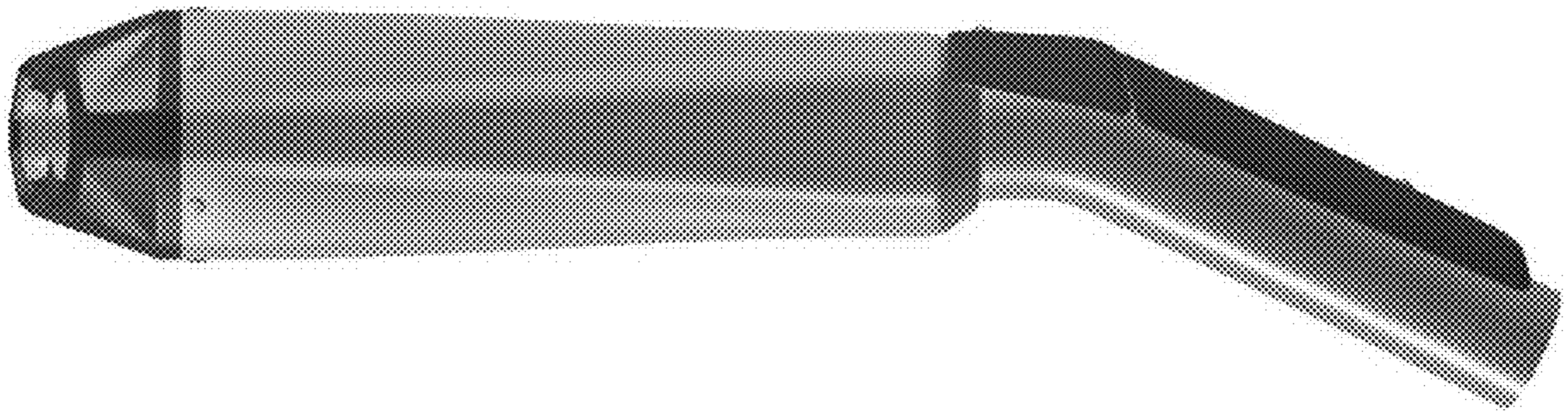


FIG. 1.8

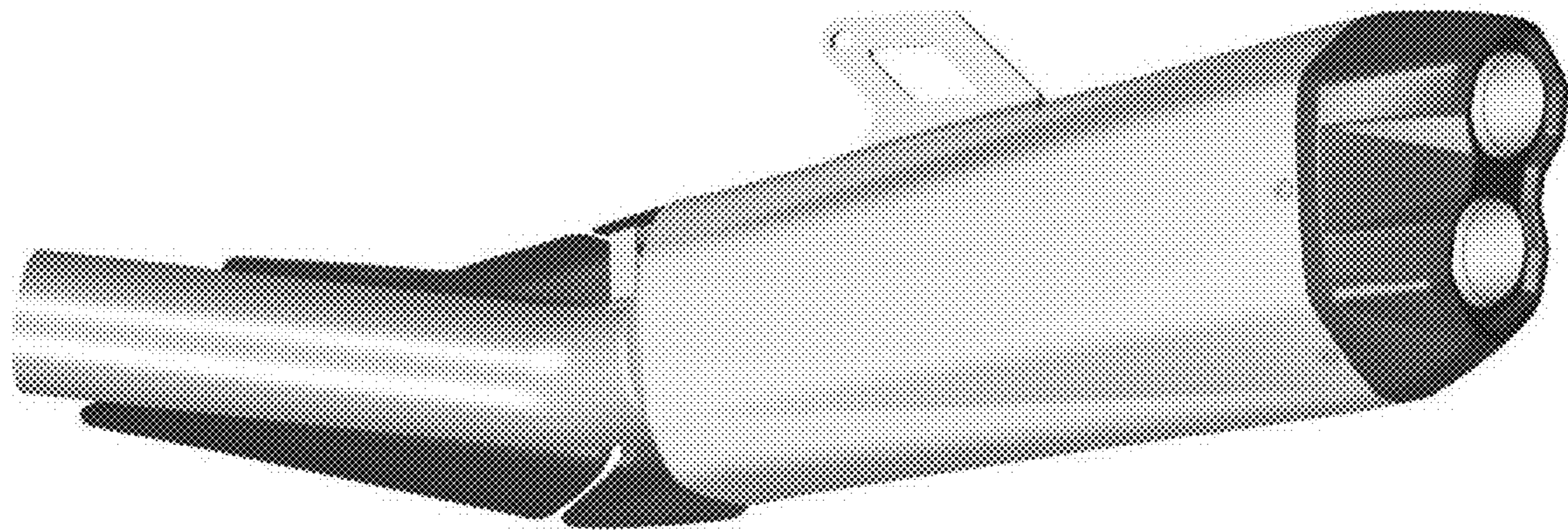


FIG. 1.9

