



US00D937716S

(12) **United States Design Patent** (10) **Patent No.:** **US D937,716 S**  
**Park et al.** (45) **Date of Patent:** **\*\* Dec. 7, 2021**

(54) **COVER FOR STEERING WHEEL SHAFT OF AUTOMOBILE**

FOREIGN PATENT DOCUMENTS

(71) Applicant: **Samsung Electronics Co., Ltd.**,  
Gyeonggi-do (KR)

DE 102018133585 A1 \* 6/2020 ..... B60K 37/04

(72) Inventors: **Jeisung Park**, Gyeonggi-do (KR);  
**Kwaneui Hong**, Gyeonggi-do (KR)

OTHER PUBLICATIONS

(73) Assignee: **SAMSUNG ELECTRONICS CO., LTD.**,  
Gyeonggi-Do (KR)

VW ID.4, Published Sep. 23, 2020 [online], [retrieved on Jul. 21, 2021]. Retrieved from the Internet: <https://www.motortrend.com/news/2021-volkswagen-id4-interior-review/> (Year: 2020).\*

(\*\*) Term: **15 Years**

*Primary Examiner* — Christian P. McLean

(21) Appl. No.: **29/736,391**

*Assistant Examiner* — Adam C Mager

(22) Filed: **May 29, 2020**

(74) *Attorney, Agent, or Firm* — Cantor Colburn LLP

(30) **Foreign Application Priority Data**

Dec. 26, 2019 (KR) ..... 30-2019-0063159

(51) **LOC (13) Cl.** ..... **12-16**

(52) **U.S. Cl.**  
USPC ..... **D12/177**

(58) **Field of Classification Search**

USPC ..... D12/114, 174, 175, 176, 177, 179, 190,  
D12/192, 195, 223, 400, 415; D34/35;  
D10/98, 102, 103, 104.1, 106.6, 106.7,  
D10/122, 123, 124, 125; D15/17, 28;  
D21/333, 561  
CPC ..... B60R 21/203; B60R 21/2037; B60R  
21/2155; B60R 21/21656; B60R  
2021/21543; B62D 1/00; B62D 1/02;  
B62D 1/04; B62D 1/10; B62D 1/11;  
B62D 1/046; B62D 1/06; B62D 1/065;  
B60Q 1/0082; B29L 2031/3047; B60K  
37/00; B60N 3/005

See application file for complete search history.

(56) **References Cited**

U.S. PATENT DOCUMENTS

3,242,900 A \* 3/1966 Howard ..... B60K 37/00  
116/28.1  
D206,377 S \* 12/1966 Ornes, Jr. .... D12/192  
D222,963 S \* 2/1972 Fuller ..... D12/192

(Continued)

(57) **CLAIM**

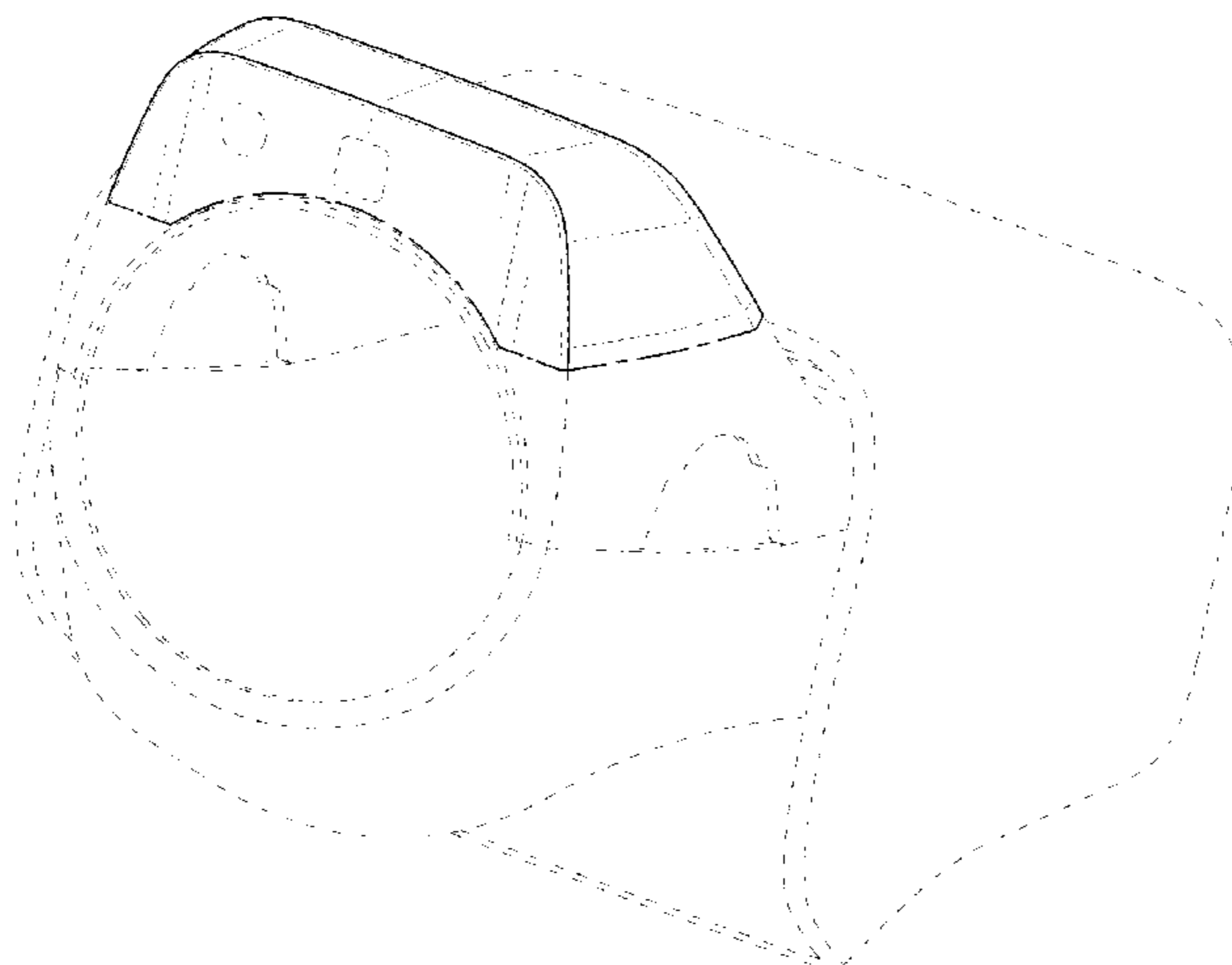
The ornamental design for a cover for steering wheel shaft of automobile, as shown and described.

**DESCRIPTION**

FIG. 1 is a perspective view of a cover for steering wheel shaft of automobile, showing our new design;  
FIG. 2 is a front view thereof;  
FIG. 3 is a rear view thereof;  
FIG. 4 is a left side view thereof;  
FIG. 5 is a right side view thereof;  
FIG. 6 is a top view thereof;  
FIG. 7 is a bottom view thereof; and,  
FIG. 8 is a perspective view as shown in a steering wheel environment.

The broken line illustrating portions of the cover for steering wheel shaft of automobile and environmental structure forms no part of the claimed design. The dot-dash broken lines in the figures depict a boundary of the claimed design and form no part of the claimed design.

**1 Claim, 8 Drawing Sheets**



(56)

References Cited

U.S. PATENT DOCUMENTS

3,804,055 A \* 4/1974 Nishikawa ..... B60K 37/00  
 116/28.1  
 D256,018 S \* 7/1980 Stone ..... D12/192  
 4,447,860 A \* 5/1984 Stone ..... B62D 33/0617  
 180/90  
 D276,040 S \* 10/1984 Montgomery ..... D12/192  
 D344,483 S \* 2/1994 Allen ..... D12/176  
 7,100,959 B1 \* 9/2006 Herrera, Jr. .... B60K 37/00  
 296/70  
 D566,781 S \* 4/2008 Ikeda ..... D14/419  
 D693,751 S \* 11/2013 Ali ..... D12/192  
 D737,184 S \* 8/2015 Oosuda ..... D12/175  
 D741,765 S \* 10/2015 Nakamura ..... D12/192  
 D741,766 S \* 10/2015 Nakamura ..... D12/192  
 D746,615 S \* 1/2016 Teeters, II ..... D6/674  
 D751,437 S \* 3/2016 Lisseman ..... D10/104.1  
 D768,520 S \* 10/2016 Lisseman ..... D10/104.1  
 D768,521 S \* 10/2016 Lisseman ..... D10/104.1  
 D793,932 S \* 8/2017 Yoon ..... D12/192  
 D833,933 S \* 11/2018 Gibson ..... D12/192  
 D837,118 S \* 1/2019 Takada ..... D12/192  
 D873,738 S \* 1/2020 Armigliato ..... D12/174  
 D913,884 S \* 3/2021 Manzoni ..... D12/192  
 D916,421 S \* 4/2021 Niebuhr ..... B60K 37/00  
 D34/35  
 2016/0124224 A1 \* 5/2016 Moon ..... B60K 37/02  
 359/630  
 2019/0111843 A1 \* 4/2019 Yamada ..... B60K 37/00  
 2019/0152319 A1 \* 5/2019 Wan ..... B60K 35/00  
 2019/0344664 A1 \* 11/2019 Koller ..... G06K 9/00845

\* cited by examiner

FIG. 1

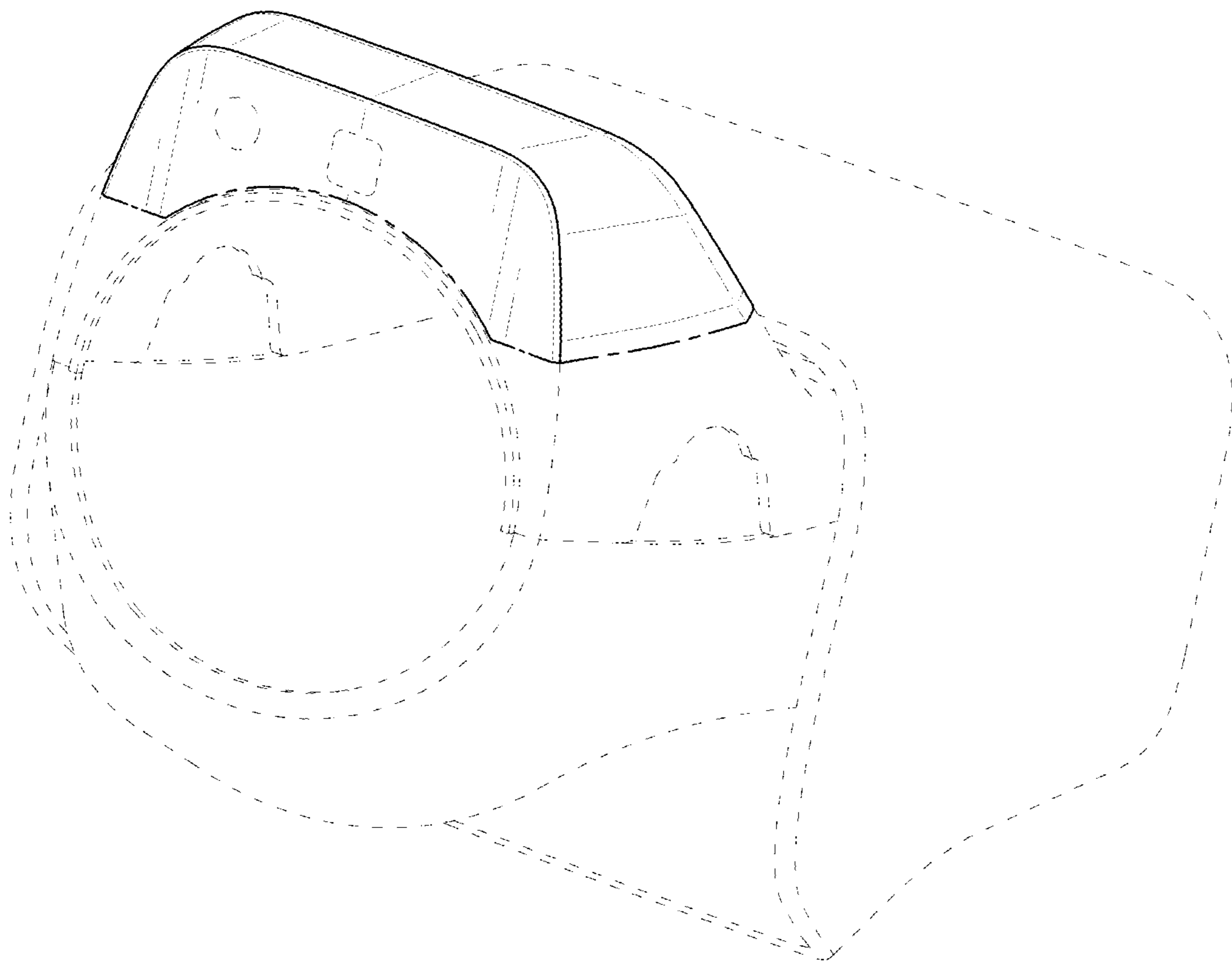


FIG. 2

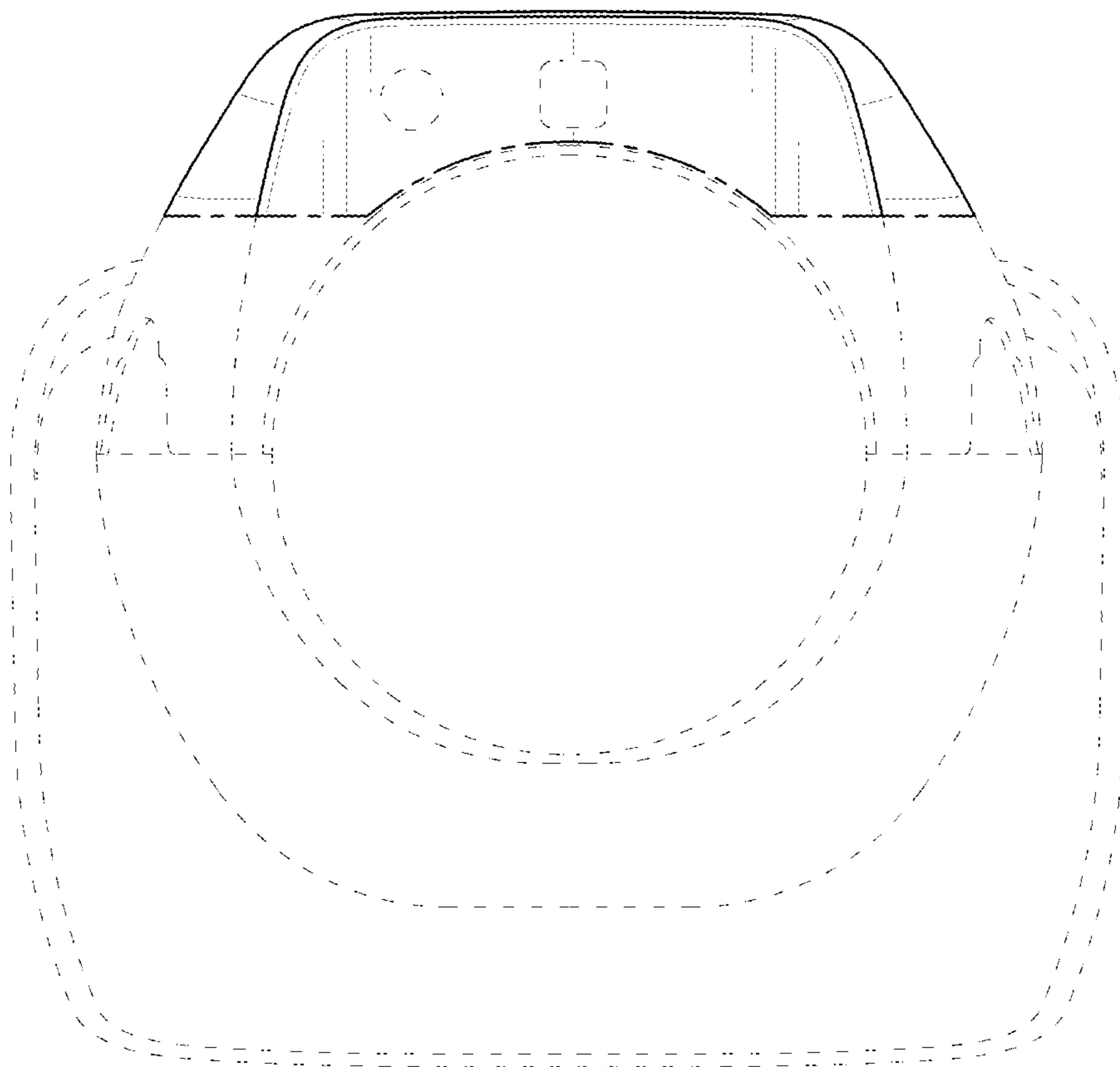


FIG. 3

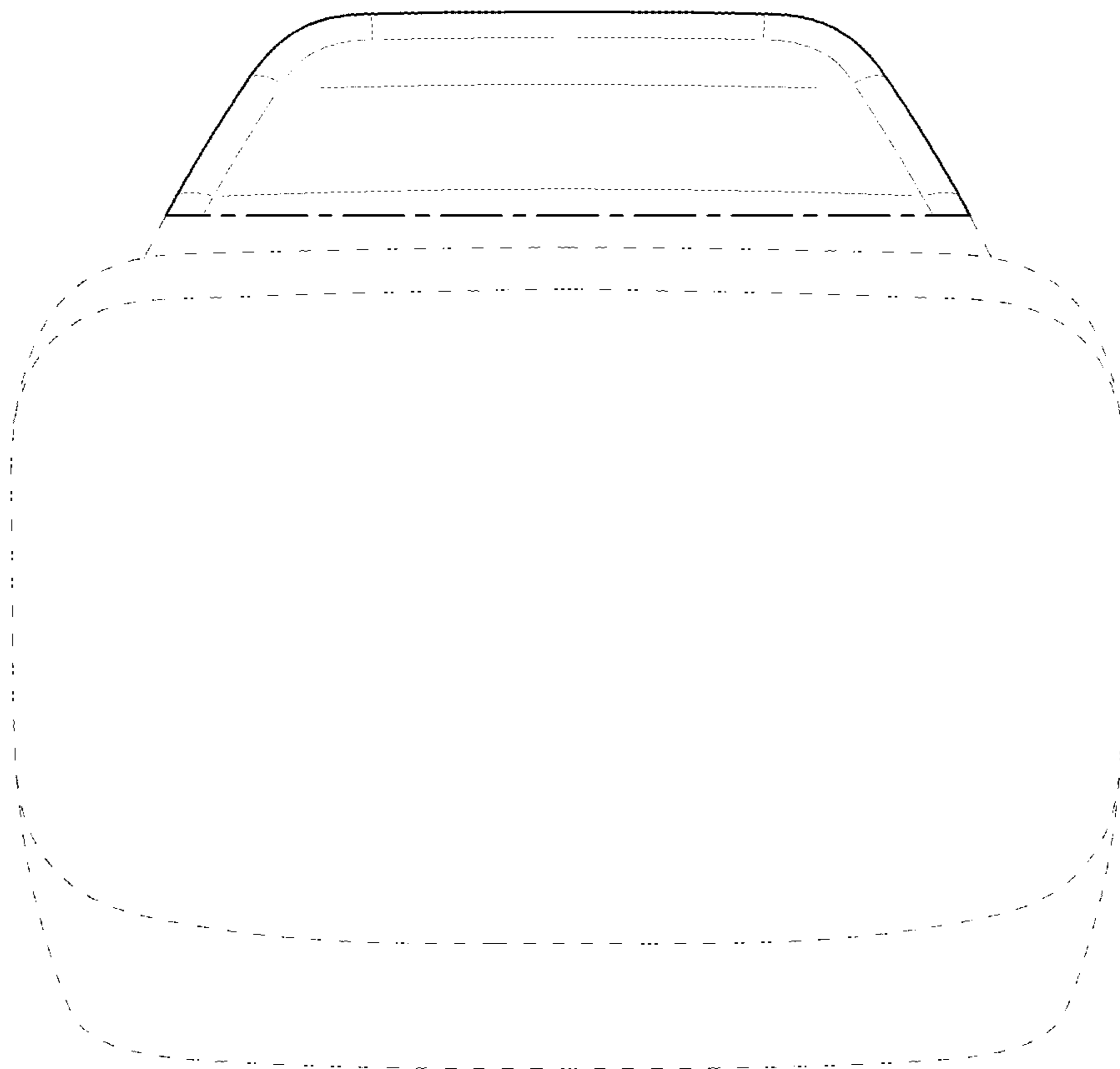


FIG. 4

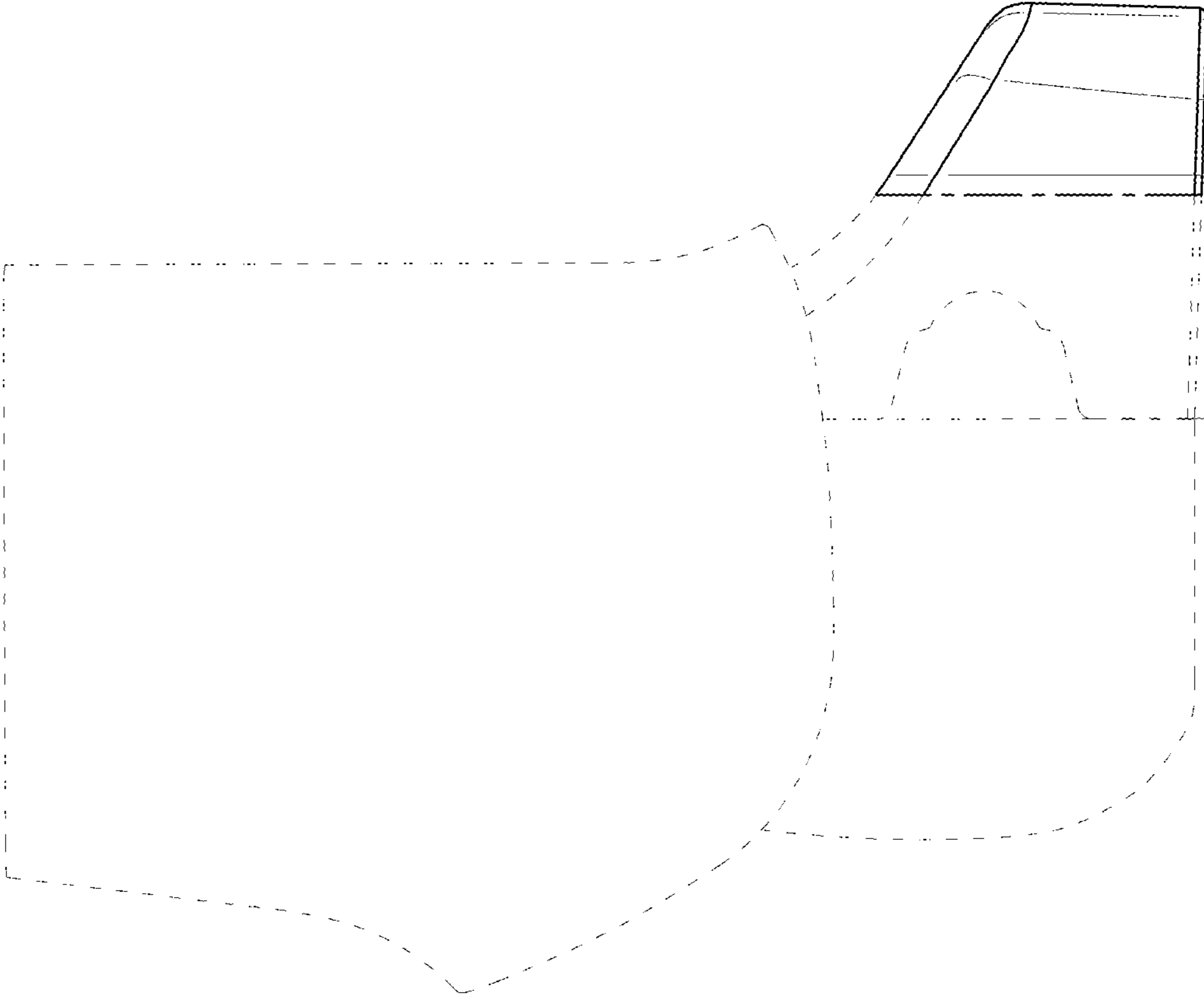


FIG. 5

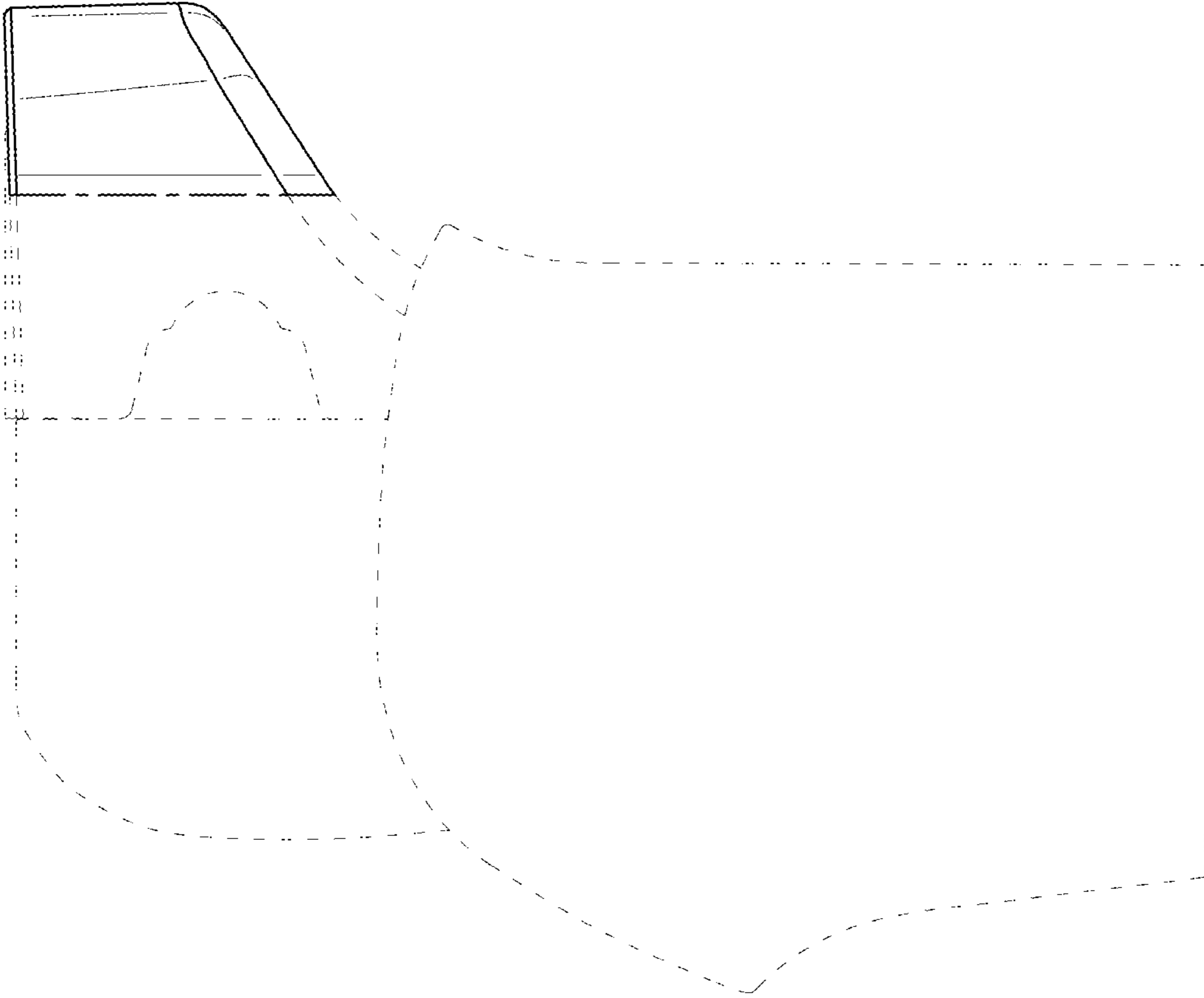


FIG. 6

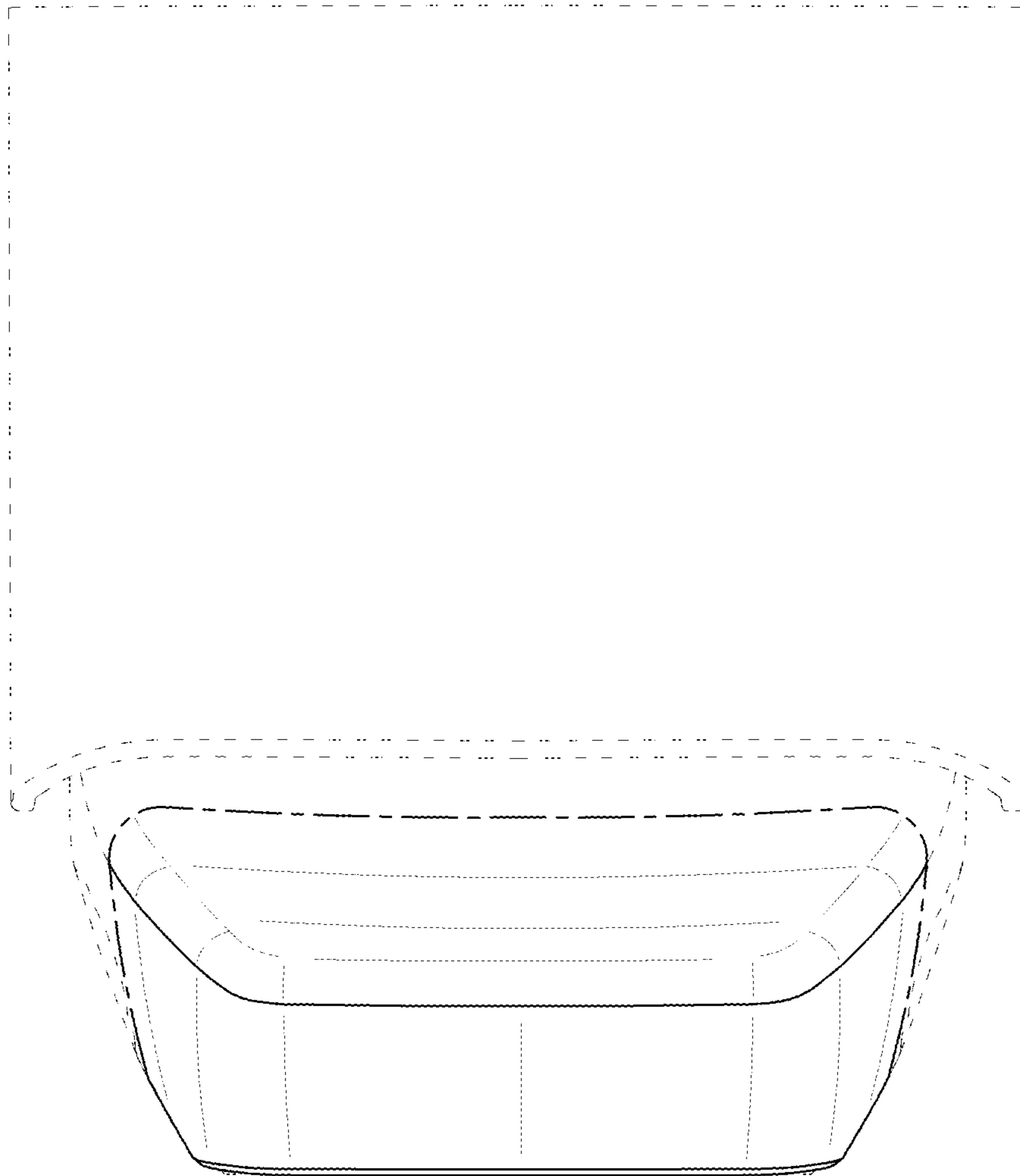




FIG. 7

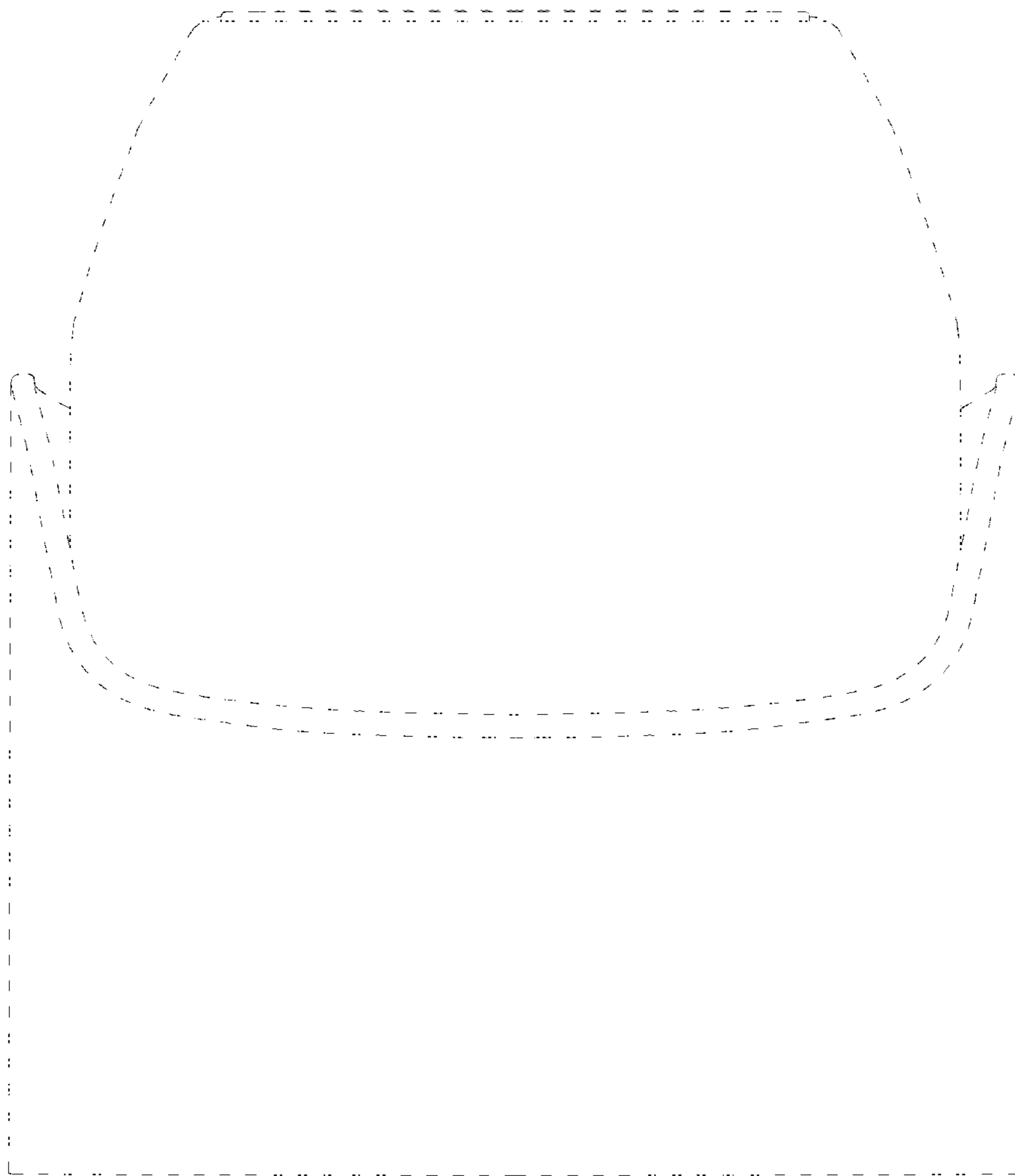


FIG. 8

