

US00D937714S

(12) **United States Design Patent**
Veilleux et al.

(10) **Patent No.:** **US D937,714 S**
(45) **Date of Patent:** **** Dec. 7, 2021**

(54) **REAR BUMPER**
(71) Applicant: **MANAC INC.**, Saint-Georges (CA)
(72) Inventors: **Guy Veilleux**, Saint-Georges (CA);
Rodrick Levesque, Saint-Gervais (CA);
Marc Jacques, Québec (CA); **Audrey Tanguay**, Québec (CA)

5,630,606 A 5/1997 Ryan
5,673,953 A * 10/1997 Spease B60R 19/38
293/118
D424,990 S 5/2000 McCoy et al.
D475,326 S 6/2003 Lyrstrand
D482,991 S 12/2003 Pancheri et al.
D485,516 S 1/2004 McCoy et al.
D489,297 S 5/2004 Pichan
(Continued)

(73) Assignee: **MANAC INC.**, Saint-Georges (CA)

OTHER PUBLICATIONS

(**) Term: **15 Years**

Altrec Flatbed, Published date unavailable [online], [retrieved on Dec. 15, 2020]. Retrieved from the Internet: https://www.alutrec.com/en/manac_product/flatbed-2-3-or-4-axles/ (Year: 2020).*

(21) Appl. No.: **29/710,810**

(Continued)

(22) Filed: **Oct. 25, 2019**

(51) **LOC (13) Cl.** **12-16**

Primary Examiner — Christian P. McLean

(52) **U.S. Cl.**

Assistant Examiner — Adam C Mager

USPC **D12/163**

(74) *Attorney, Agent, or Firm* — Bereskin & Parr

(58) **Field of Classification Search**

USPC D12/96, 163, 167, 169, 181, 190, 196,
D12/82, 89, 90, 91, 92, 93, 97, 98, 99,
D12/101, 102, 105, 106; D21/561, 533,
D21/552

LLP/S.E.N.C.R.L, s.r.l.

CPC B60R 19/00; B60R 19/02; B60R 19/24;
B60R 19/56; B60R 2019/026; B60R
2019/527; B60R 2019/1813; B60R
2019/1833; B60R 2019/1886; B60R
19/38; B62D 25/2054; B62D 33/04;
B62D 33/048

(57) **CLAIM**

The ornamental design for a rear bumper, as shown and described.

See application file for complete search history.

DESCRIPTION

FIG. 1 is a perspective view of the rear bumper according to our new design;
FIG. 2 is a front view of the rear bumper;
FIG. 3 is a left side view of the rear bumper;
FIG. 4 is a right side view of the rear bumper;
FIG. 5 is a bottom view of the rear bumper;
FIG. 6 is a perspective view of the rear bumper;
FIG. 7 is a front view of the rear bumper; and,
FIG. 8 is a perspective view of the rear bumper showing environment.

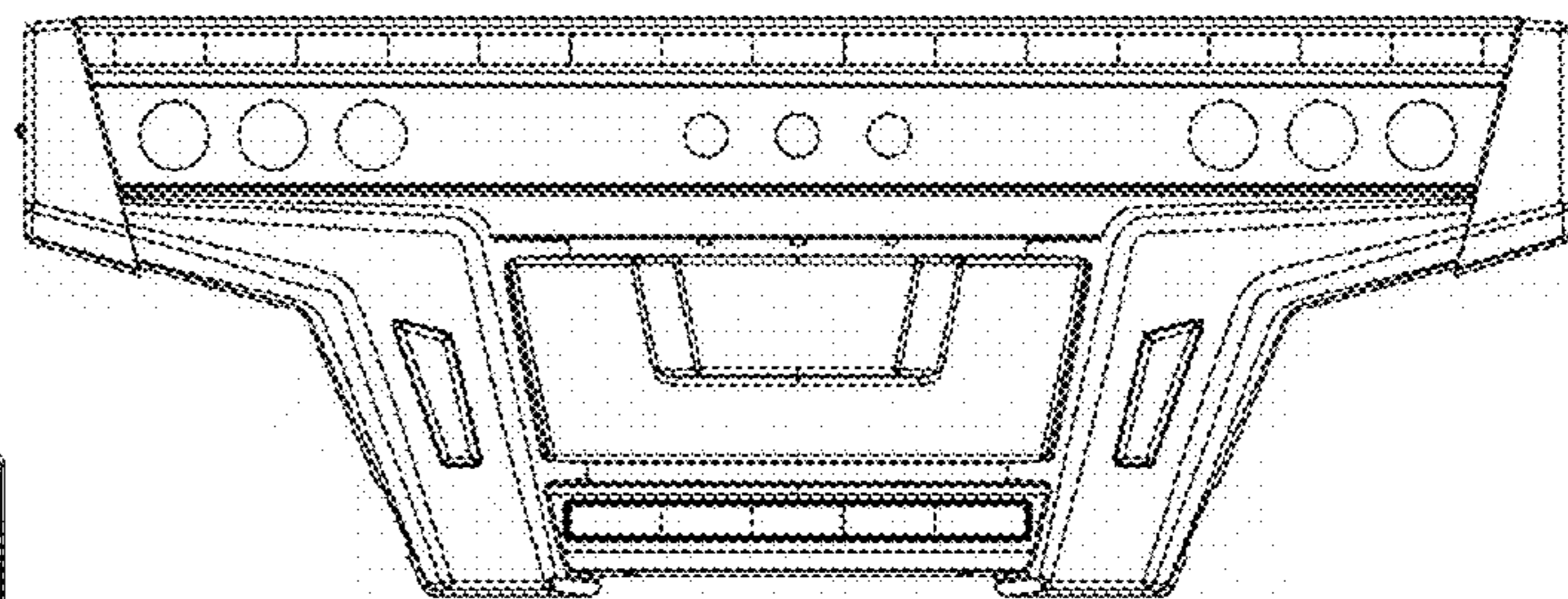
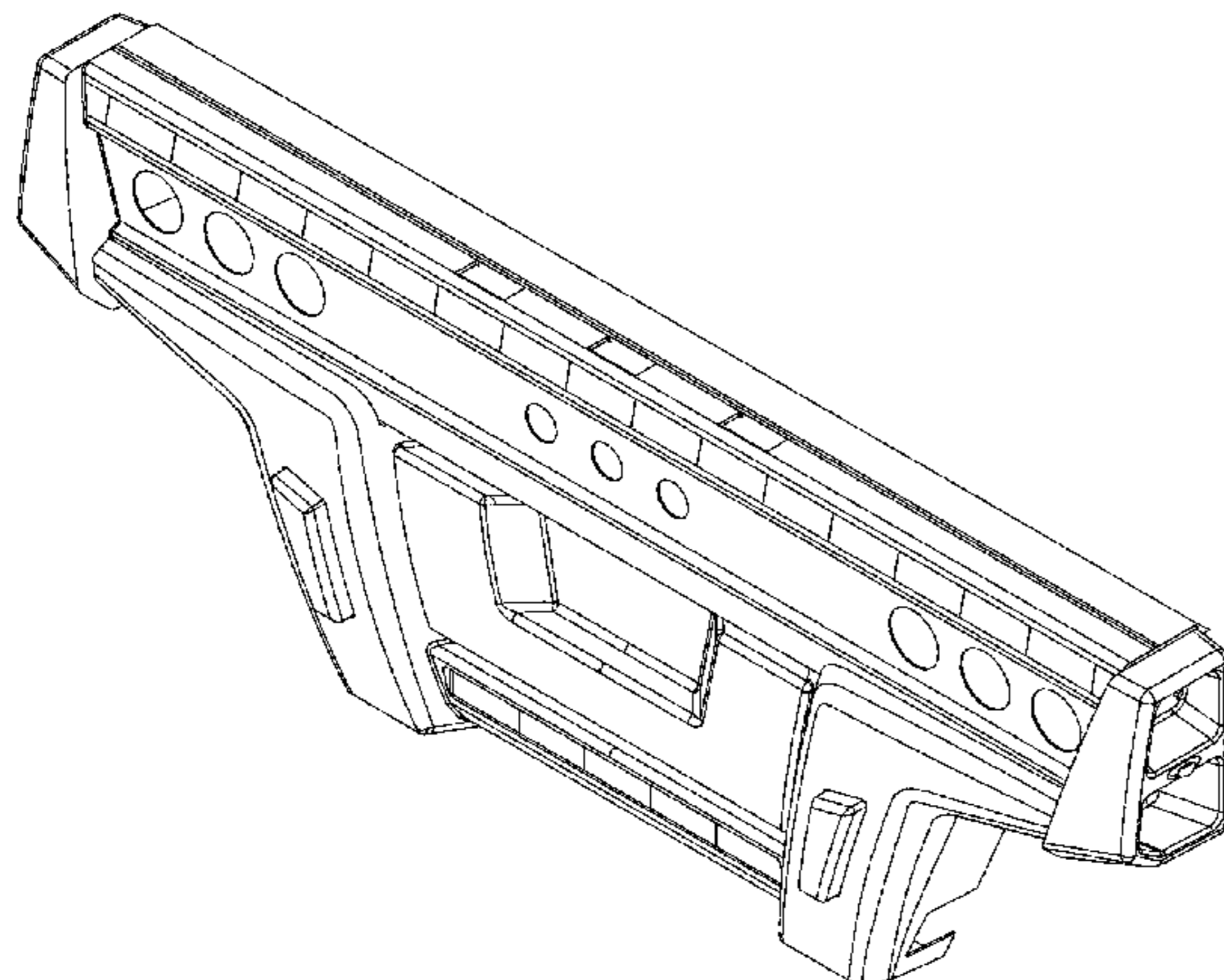
The broken lines shown are for the purpose of illustrating environmental structure and form no part of the claimed design.

(56) **References Cited**

U.S. PATENT DOCUMENTS

1,494,658 A 5/1924 Willwerscheid
D160,754 S 10/1950 Wallace
D225,523 S 12/1972 Nunn
D255,321 S 6/1980 Stelman
D317,743 S 6/1991 Chambers
D341,810 S 11/1993 Cordia
D369,333 S 4/1996 Juarez

1 Claim, 8 Drawing Sheets



(56)

References Cited

U.S. PATENT DOCUMENTS

7,246,833 B2 7/2007 Exline
 D565,665 S 4/2008 McCough et al.
 D648,656 S 11/2011 Crane
 D682,749 S 5/2013 Lai
 D688,170 S 8/2013 Woolever
 D707,591 S 6/2014 Sands
 D716,201 S * 10/2014 Ewing D12/171
 D737,178 S 8/2015 Crane
 D779,392 S 2/2017 Hare
 D780,643 S 3/2017 Hare
 D783,458 S 4/2017 Pistacchio
 D786,942 S 5/2017 Blitterswijk et al.
 D828,240 S 9/2018 Williams
 D830,235 S 10/2018 Warren et al.
 D845,175 S 4/2019 Guenther
 D856,196 S 8/2019 Guenther
 D866,683 S 11/2019 Ewing et al.
 D880,363 S 4/2020 Guenther
 D880,374 S 4/2020 McCaughy
 2009/0085394 A1 4/2009 Lemmons

2011/0198826 A1 8/2011 Weber et al.
 2013/0015221 A1 1/2013 Williams
 2018/0244227 A1* 8/2018 Miller B60R 19/24
 2018/0345891 A1* 12/2018 Fetz B62D 33/04
 2020/0062056 A1 2/2020 Corns
 2020/0094636 A1 3/2020 Gygi et al.

OTHER PUBLICATIONS

KR-300907009, Published at Orbit, Publication Date: May 19, 2017.
 Belly Dump Trailers, posted at Construction Trailer Specialists, Posting Date: Aug. 8, 2017. Site Visited: Jul. 15, 2020. URL:<<https://web.archive/web/20170808085803/http://www.constructiontrailerspecialists.com/trailers/belly-dumps>> (Year: 2017).
 Tecumseh Trailers For Sale In Canada, posted at Fleet Stop Trailers, Posting Date: Nov. 11, 2017. Site Visited Jul. 15, 2020. URL:<<http://fleetstoptrailers.com/tecumseh/>> (Year: 2017).
 Kim Donghwa Co. Ltd., Korean design No. 300625539, Published at Orbit, Publication Date: Dec. 19, 2011. Site Visited: May 18, 2020. Available from Internet. (Year: 2011).

* cited by examiner

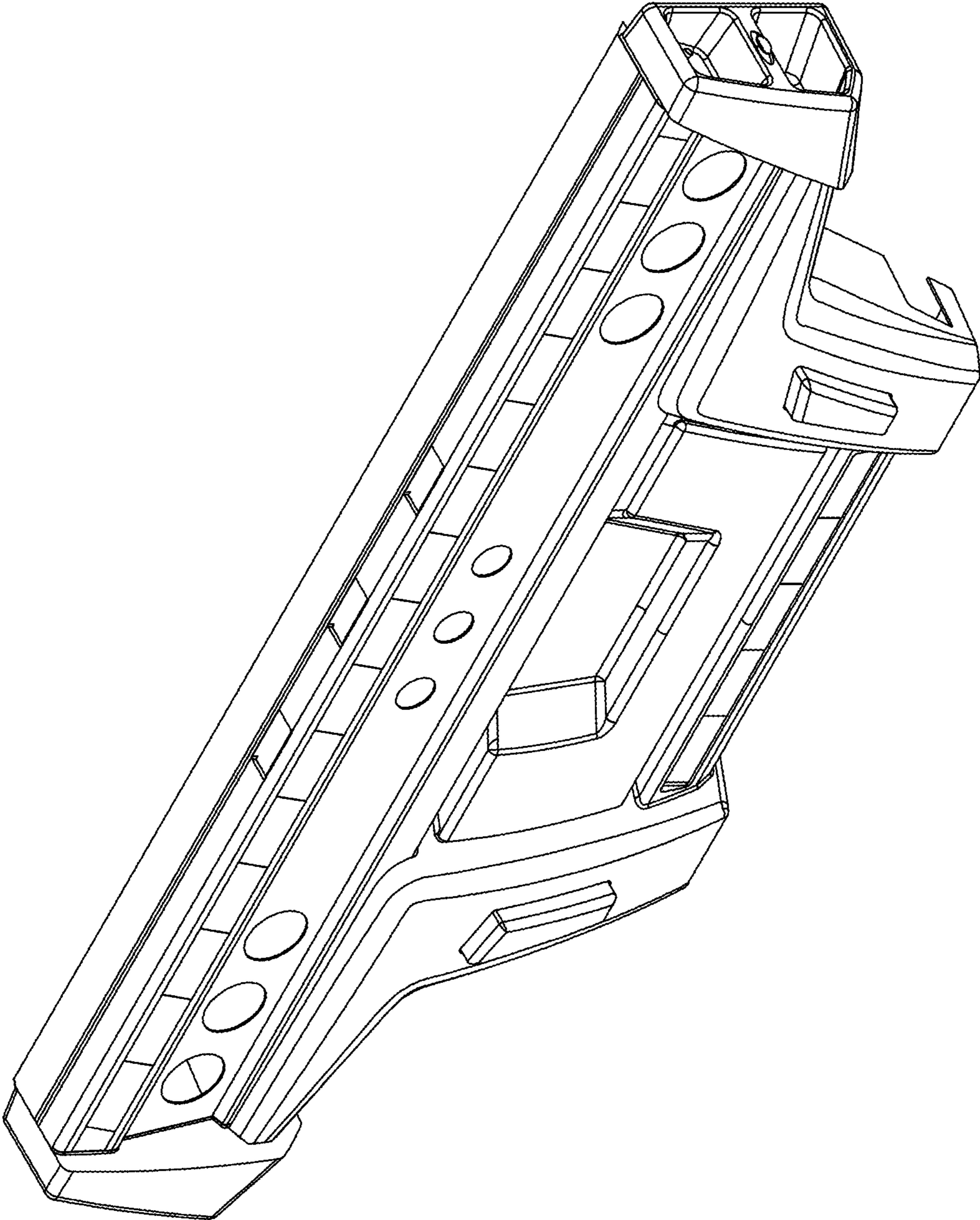


FIG. 1

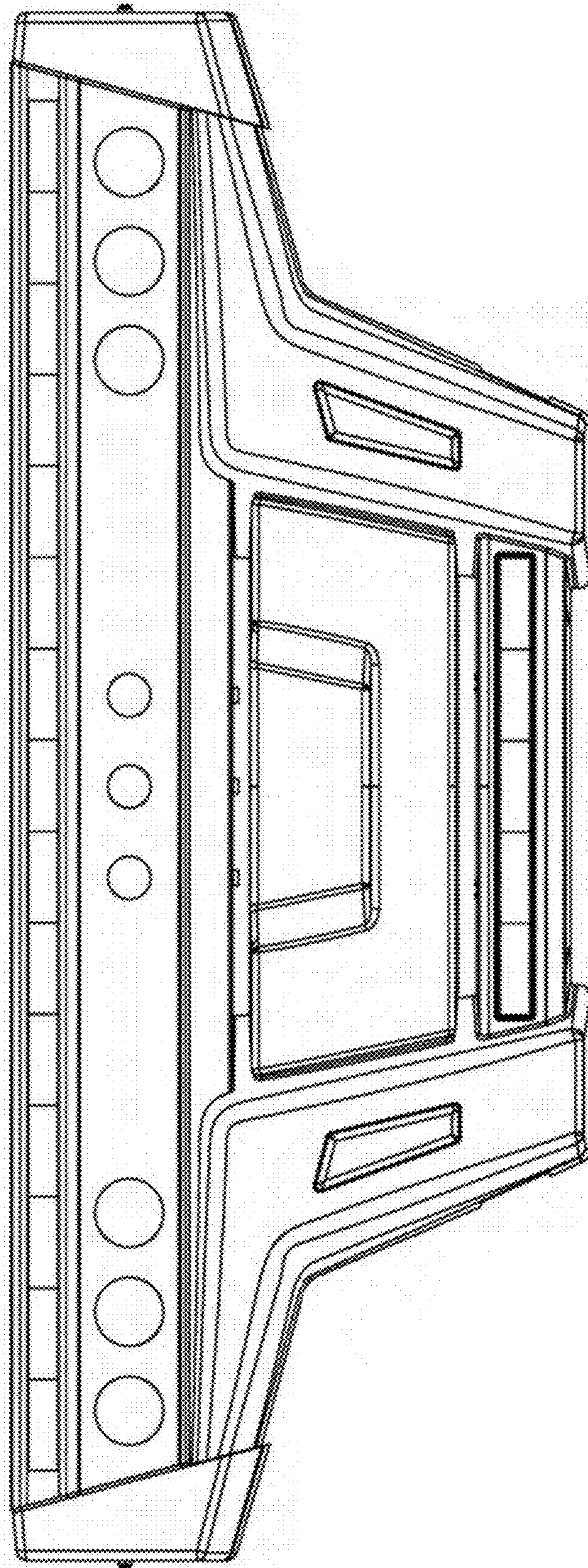


FIG. 2

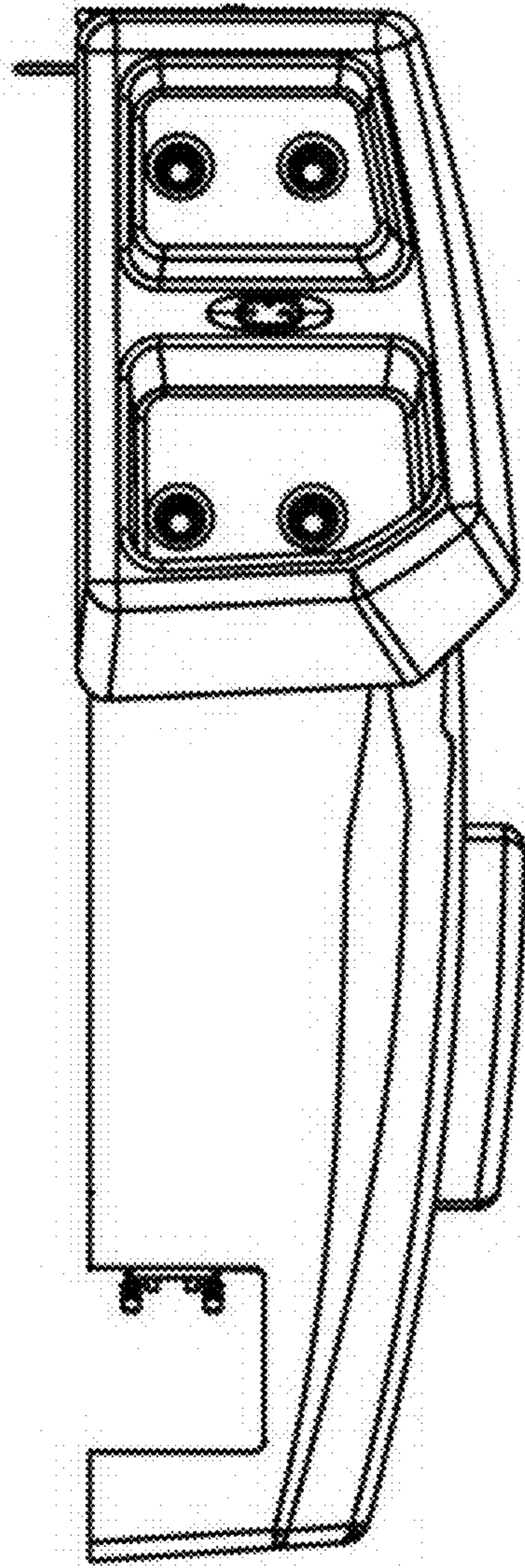


FIG. 3

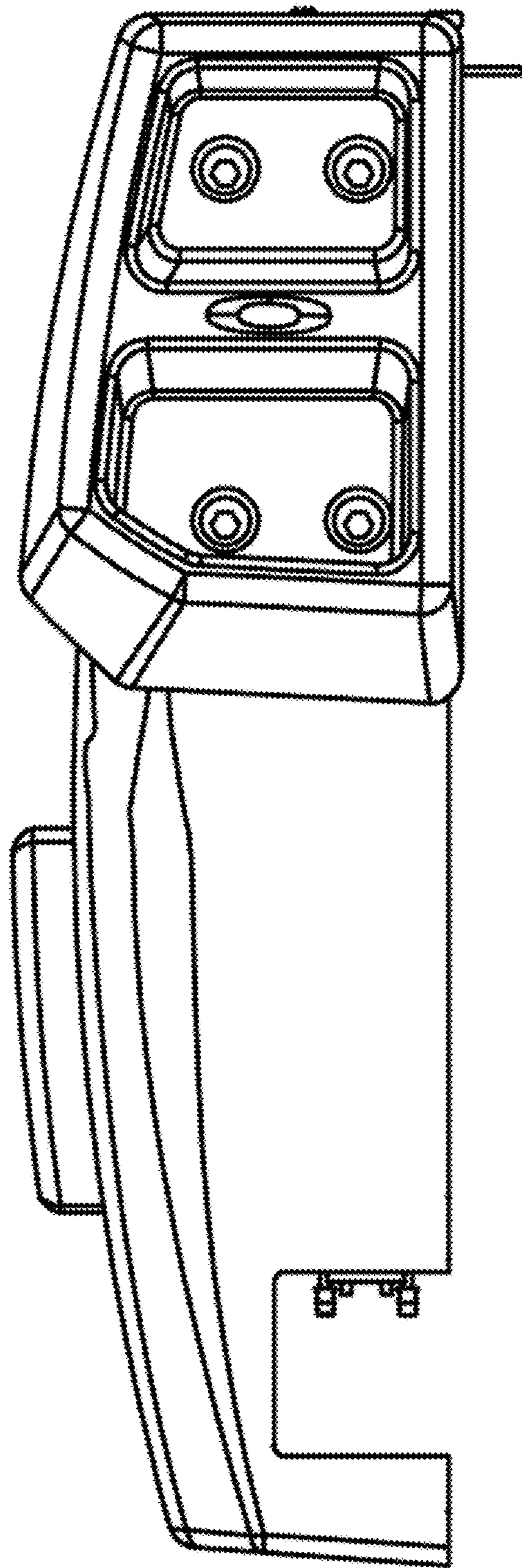


FIG. 4

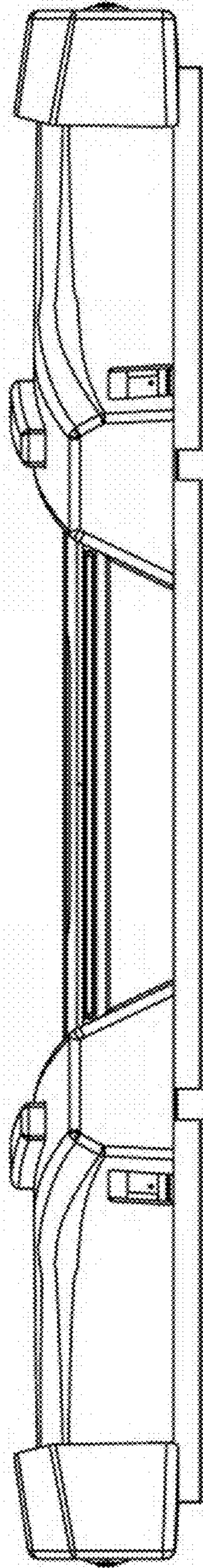


FIG. 5

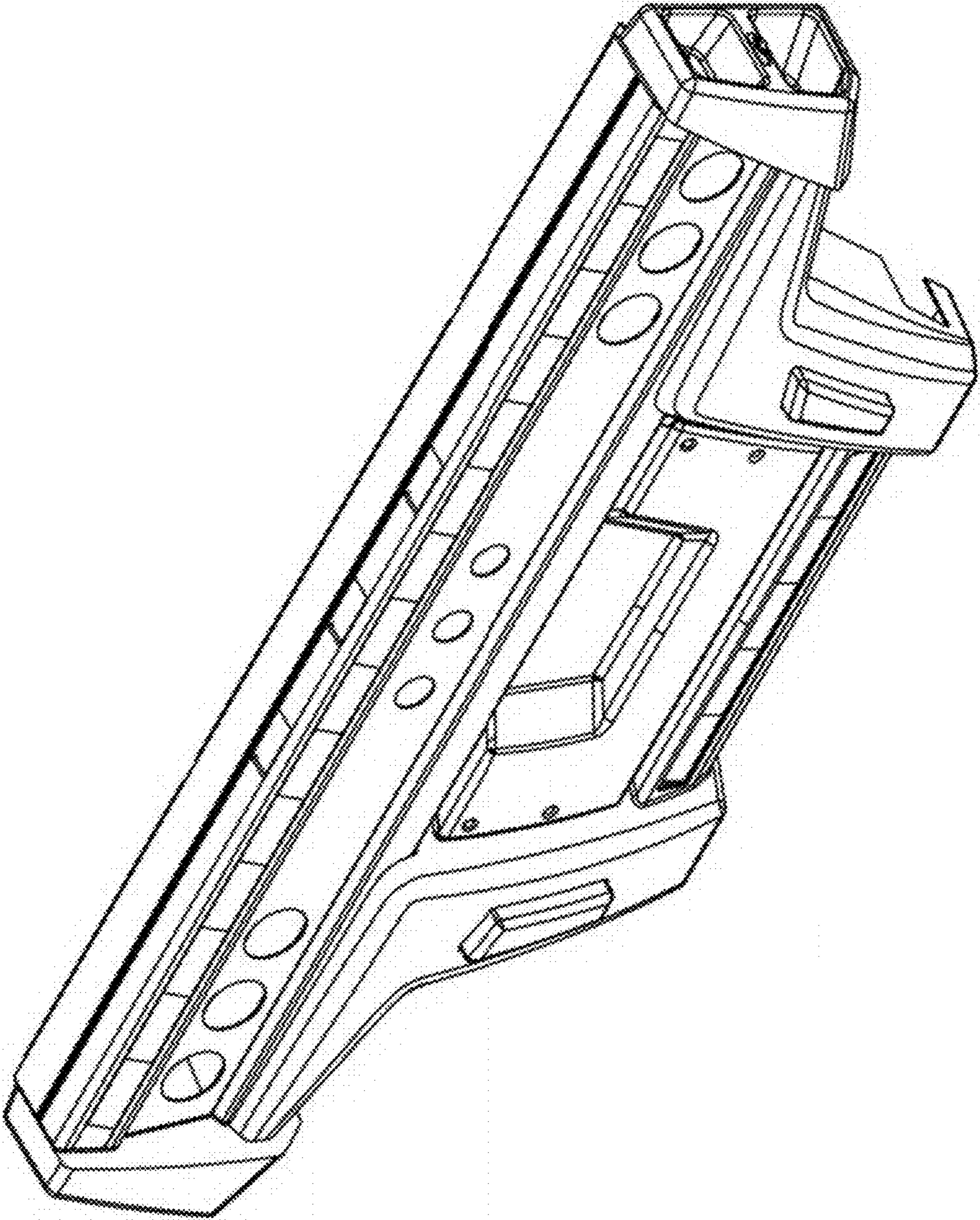


FIG. 6

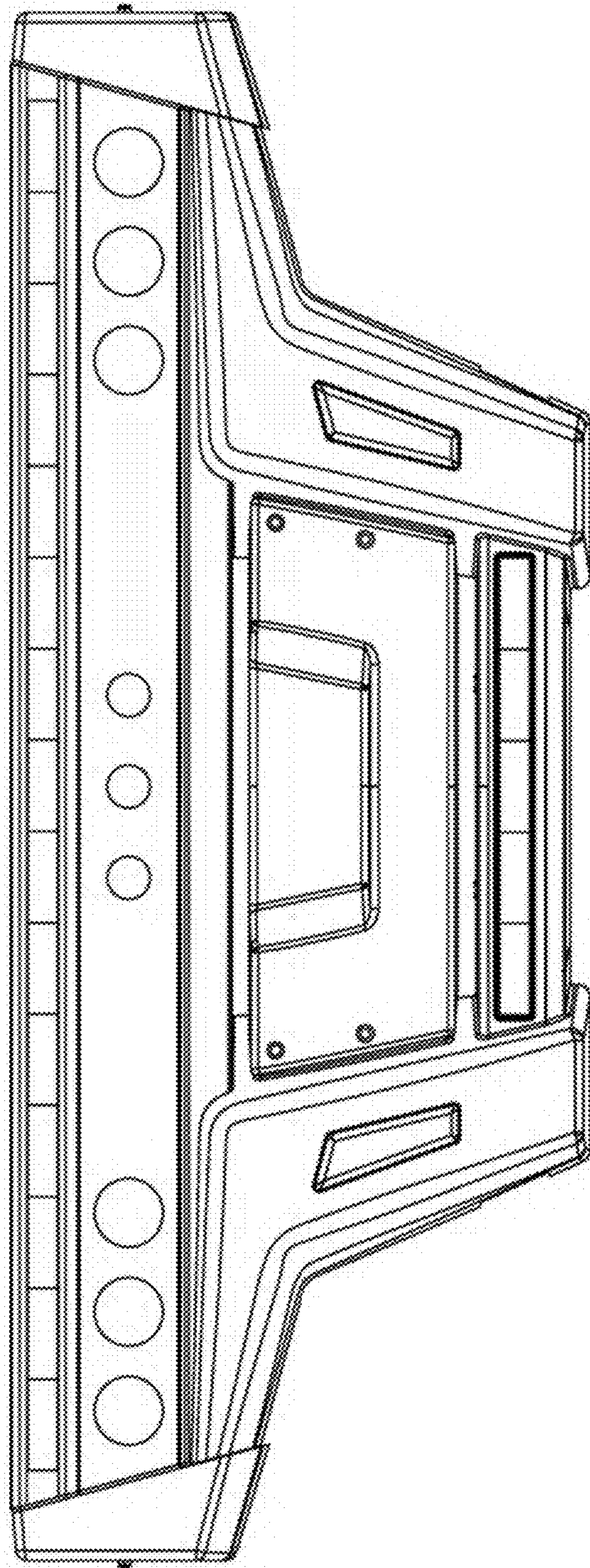


FIG. 7

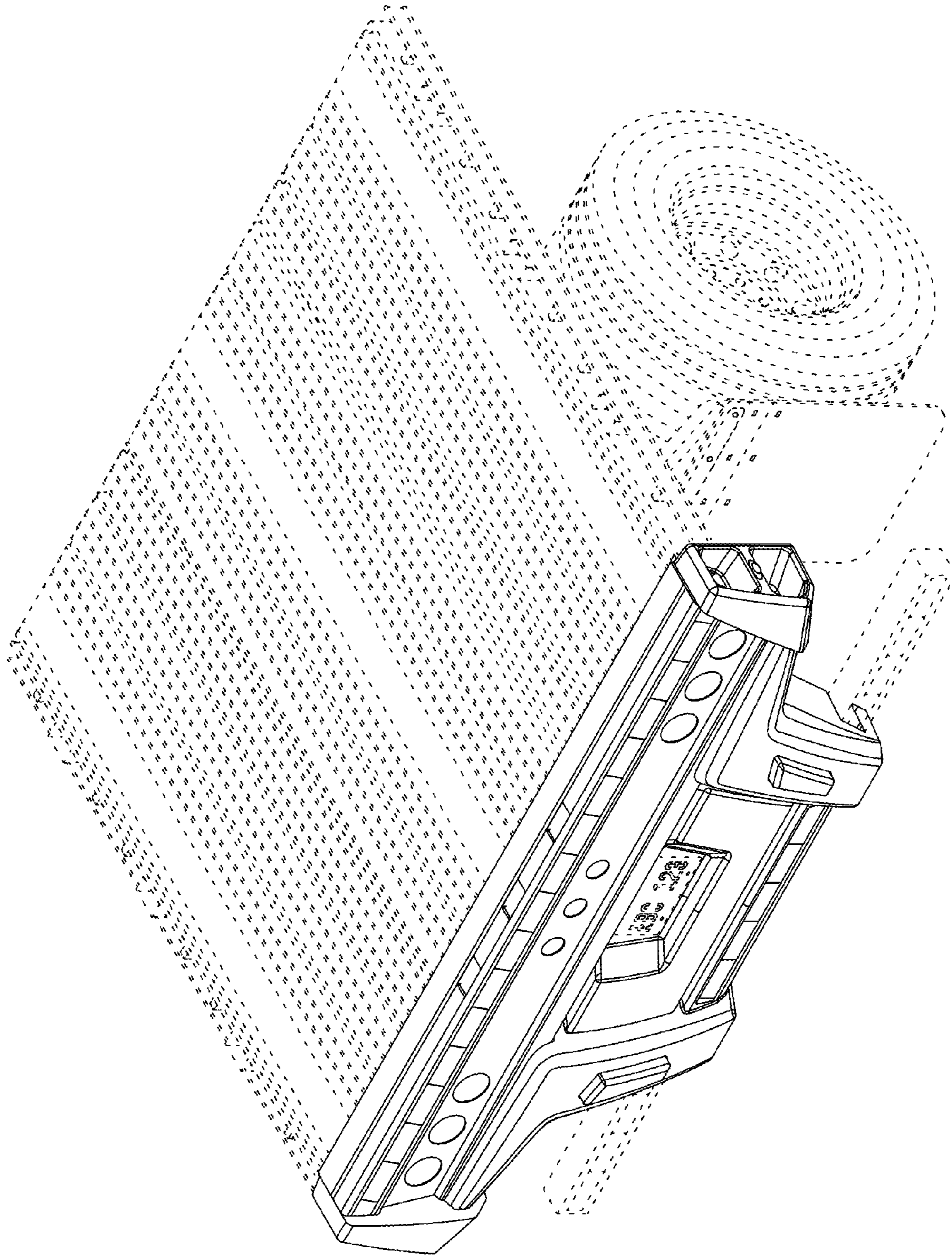


FIG. 8