



US00D937712S

(12) **United States Design Patent**
Hu et al.

(10) **Patent No.:** **US D937,712 S**
(45) **Date of Patent:** **** Dec. 7, 2021**

(54) **ELECTRIC BICYCLE**

(71) Applicant: **BEIJING NIU INFORMATION TECHNOLOGY CO., LTD.**, Beijing (CN)

(72) Inventors: **Yilin Hu**, Beijing (CN); **Chuankai Liu**, Beijing (CN); **Shuyu Wang**, Beijing (CN)

(73) Assignee: **BEIJING NIU INFORMATION TECHNOLOGY CO., LTD.**, Beijing (CN)

D470,438 S *	2/2003	Tateishi	D12/110
D538,714 S *	3/2007	Okuyama	D12/110
D543,903 S *	6/2007	Kashima	D12/110
D578,042 S *	10/2008	Yang	D12/111
D644,961 S *	9/2011	Watanabe	D12/110
D662,860 S *	7/2012	Devernay	D12/110
D678,128 S *	3/2013	Lambri	D12/110
D679,223 S *	4/2013	Loasby	D12/110
D730,778 S *	6/2015	Harness	D12/111
D730,779 S *	6/2015	Arbour	D12/111
D742,791 S *	11/2015	Sanderson	D12/110
D761,699 S *	7/2016	Watanabe	D12/110
D806,610 S *	1/2018	Su	D12/110

(Continued)

(**) Term: **15 Years**

(21) Appl. No.: **29/712,563**

(22) Filed: **Nov. 8, 2019**

(30) **Foreign Application Priority Data**

May 8, 2019 (CN) 201930221783.X

(51) **LOC (13) Cl.** **12-11**

(52) **U.S. Cl.**
USPC **12/111**

(58) **Field of Classification Search**
USPC D12/107, 110, 111, 117; D21/412, 414,
D21/419, 423-428
CPC . B62K 3/00; B62K 3/005; B62K 9/00; B62K
19/00; B62K 19/02; B62K 19/04; B62K
19/06; B62K 19/16
See application file for complete search history.

(56) **References Cited**

U.S. PATENT DOCUMENTS

D253,102 S *	10/1979	Hahn	D12/110
D273,100 S *	3/1984	Ziegler	D12/111
D302,801 S *	8/1989	Lacroix	D12/110
D406,253 S *	3/1999	Yamashita	D12/110
D441,323 S *	5/2001	Cheng	D12/111

OTHER PUBLICATIONS

“Segway eMoped C80” Segway., posted date Sep. 10, 2019 [online], [retrieved on Mar. 10, 2021]. Retrieved from the Internet <URL: <https://store.segway.com/segway-emoped-c80>> (Year: 2019).*

(Continued)

Primary Examiner — Darlington Ly

Assistant Examiner — Nasim Abdulaziz Ali

(74) *Attorney, Agent, or Firm* — Lando & Anastasi, LLP

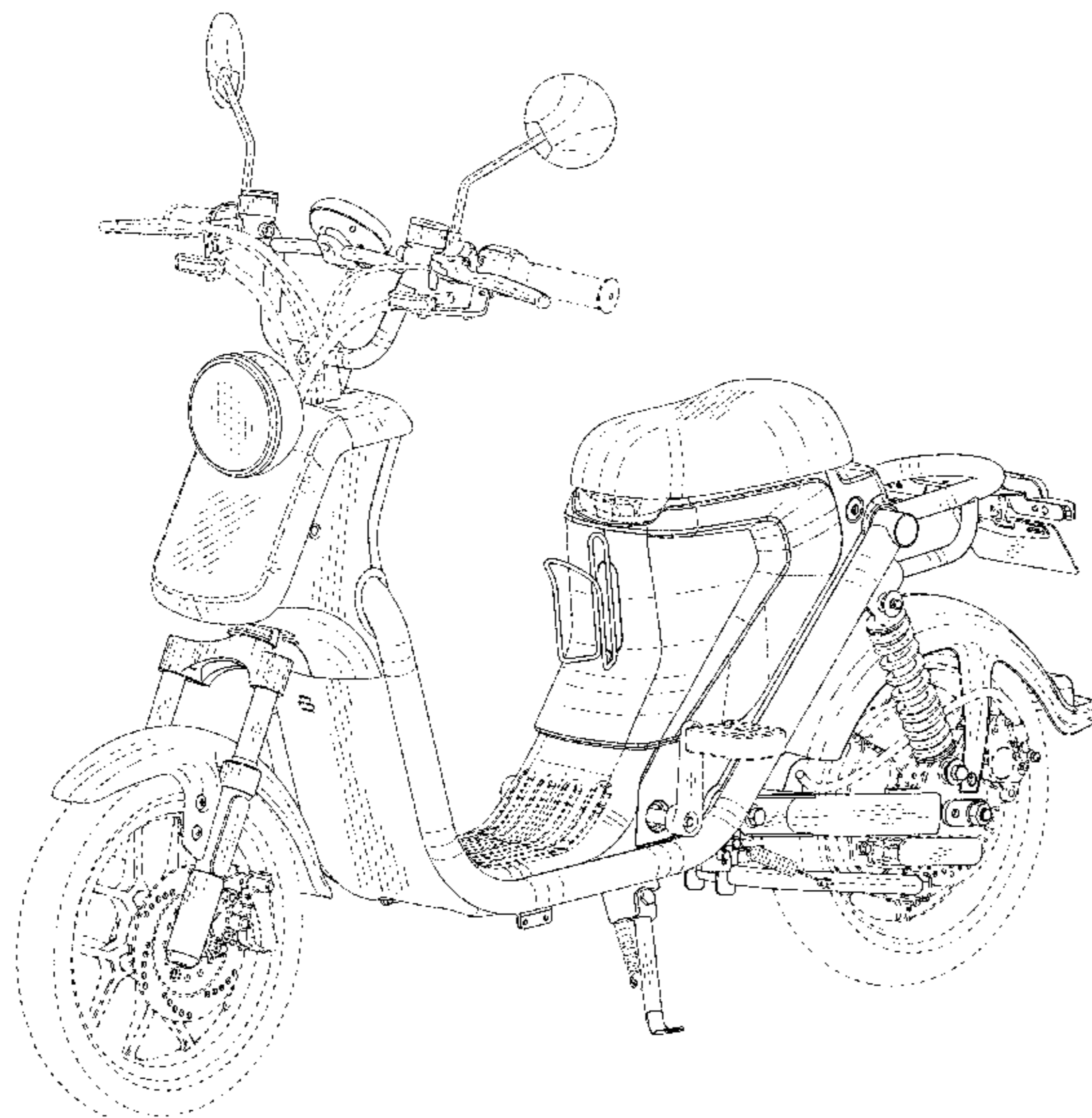
(57) **CLAIM**

The ornamental design for an electric bicycle, as shown and described.

DESCRIPTION

FIG. 1 is a left side elevation view of the design of an electric bicycle embodying our new design;
FIG. 2 is a right side elevation view thereof;
FIG. 3 is a front elevation view thereof;
FIG. 4 is a rear elevation view thereof;
FIG. 5 is a top plan view thereof; and,
FIG. 6 is a front and left perspective view thereof.
The broken lines shown in the figures depict portions of the electric bicycle that form no part of the claimed design.

1 Claim, 6 Drawing Sheets



(56)

References Cited

U.S. PATENT DOCUMENTS

D838,212 S * 1/2019 David D12/110
D856,853 S * 8/2019 Luke D12/110
D874,984 S * 2/2020 Luke D12/110
D910,497 S * 2/2021 Sun D12/111

OTHER PUBLICATIONS

“NIU debuts new electric scooters” NIU., posted date Nov. 7, 2018 [online], [retrieved on Mar. 10, 2021]. Retrieved from the Internet <URL: <https://electrek.co/2018/11/07/niu-electric-scooters-umini/>> (Year: 2018).*

“Xiaomi’s Cute Electric Moped” Xiamoi., posted date Mar. 30, 2020 [online], [retrieved on Mar. 10, 2021]. Retrieved from the Internet <URL: <https://www.zigwheels.com/news-features/news/xiaomi-a1-e-bike-unveiled-in-china-cheaper-than-oneplus-7/38034/>> (Year: 2020).*

* cited by examiner

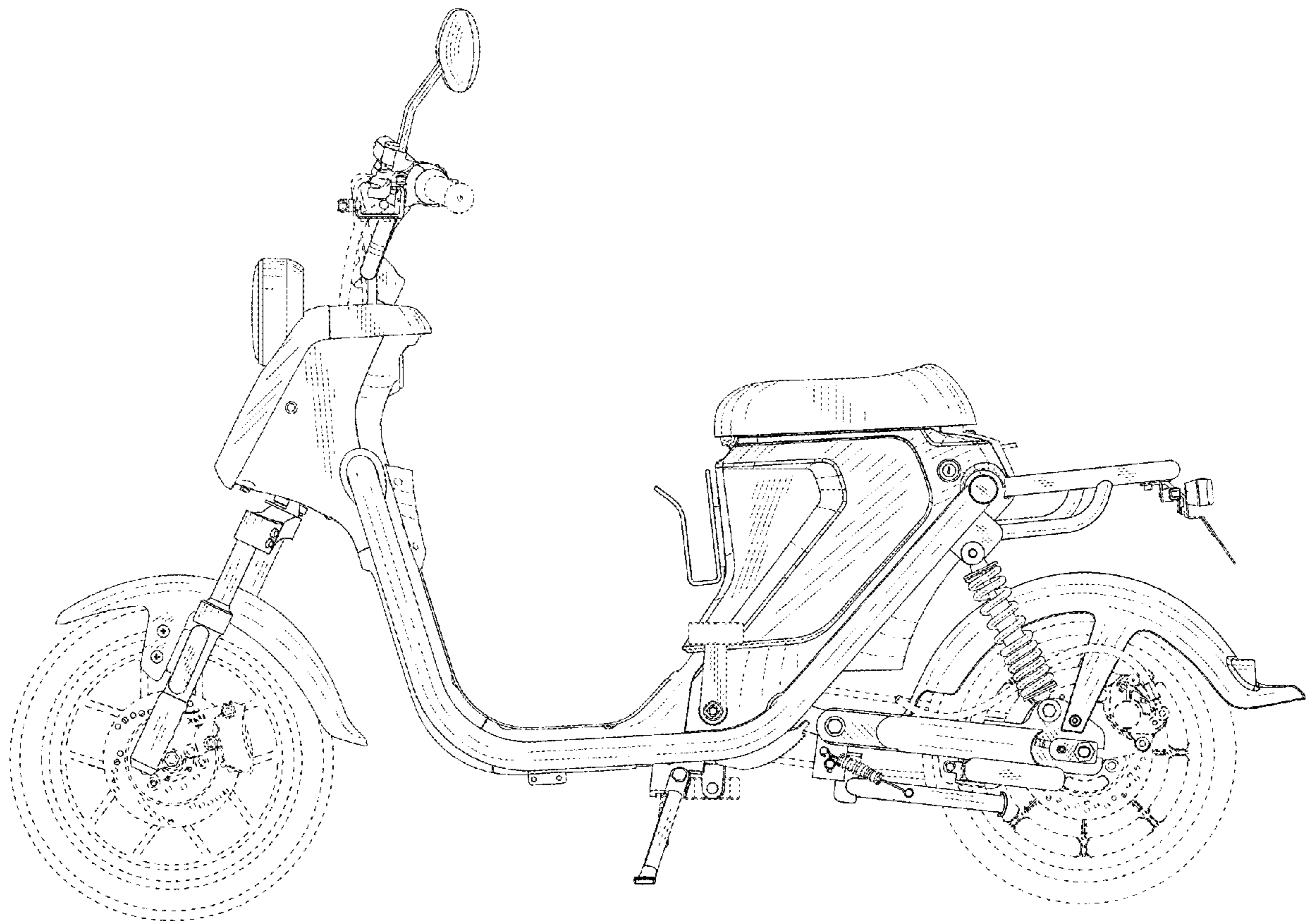


FIG. 1

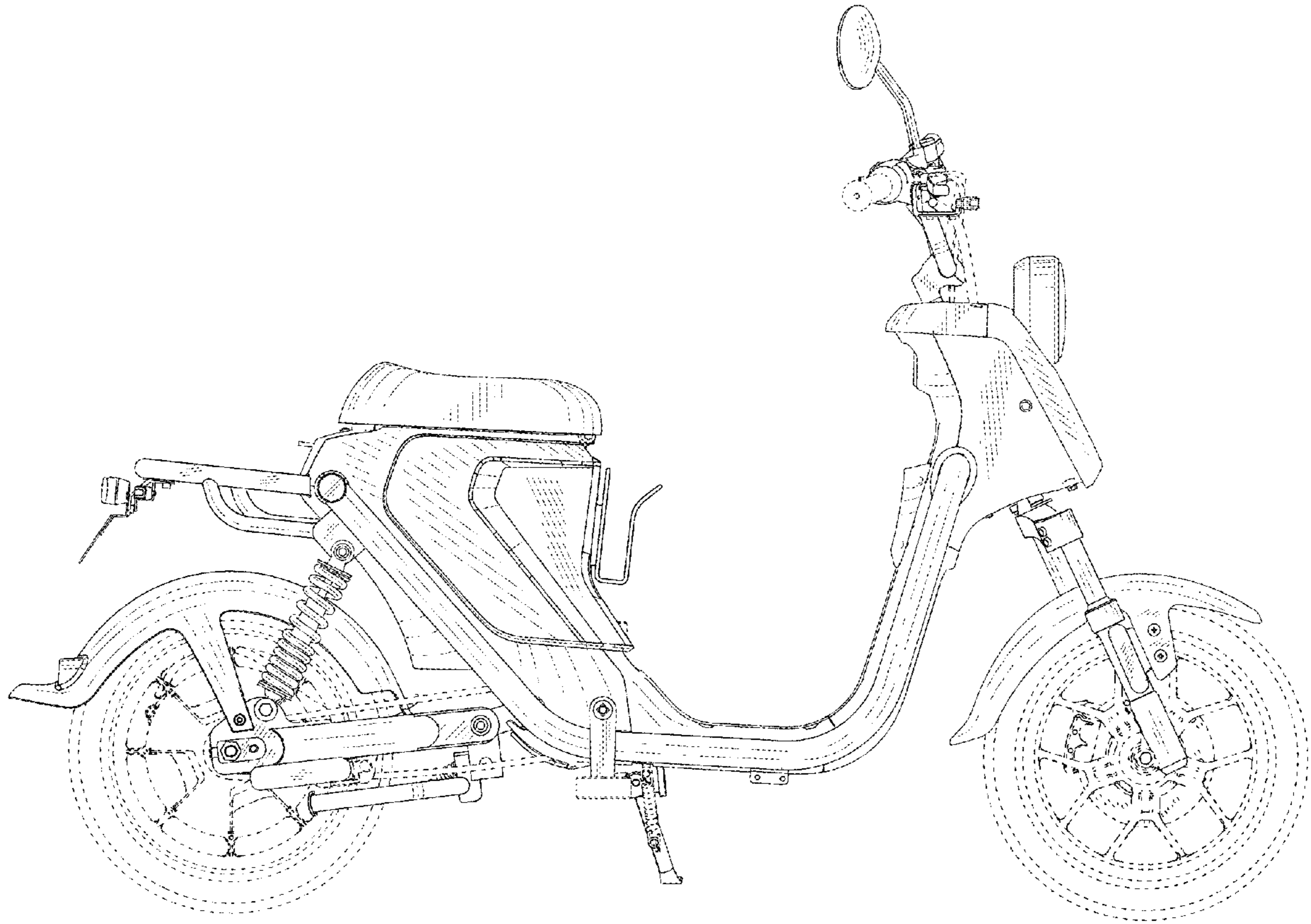


FIG. 2

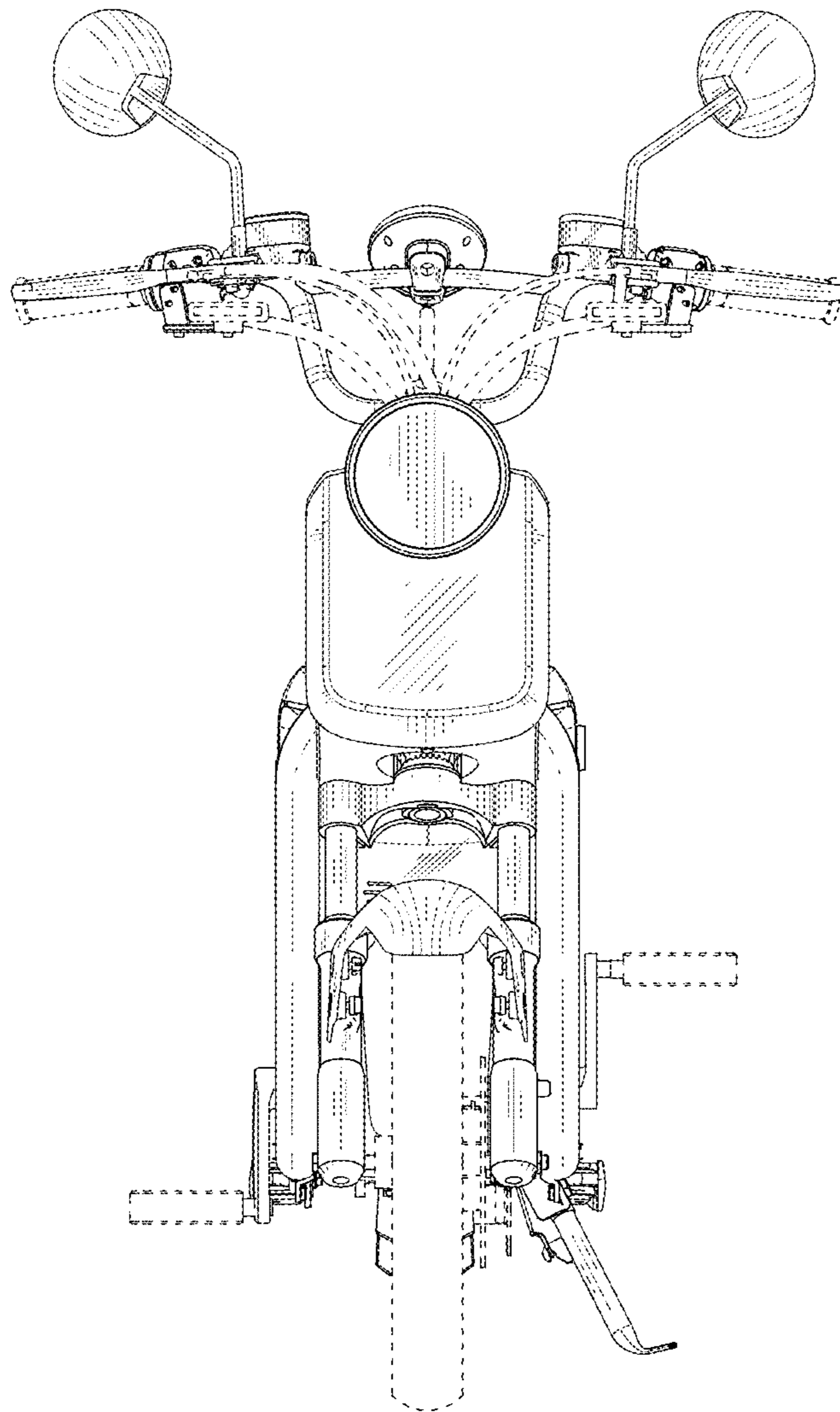


FIG.3

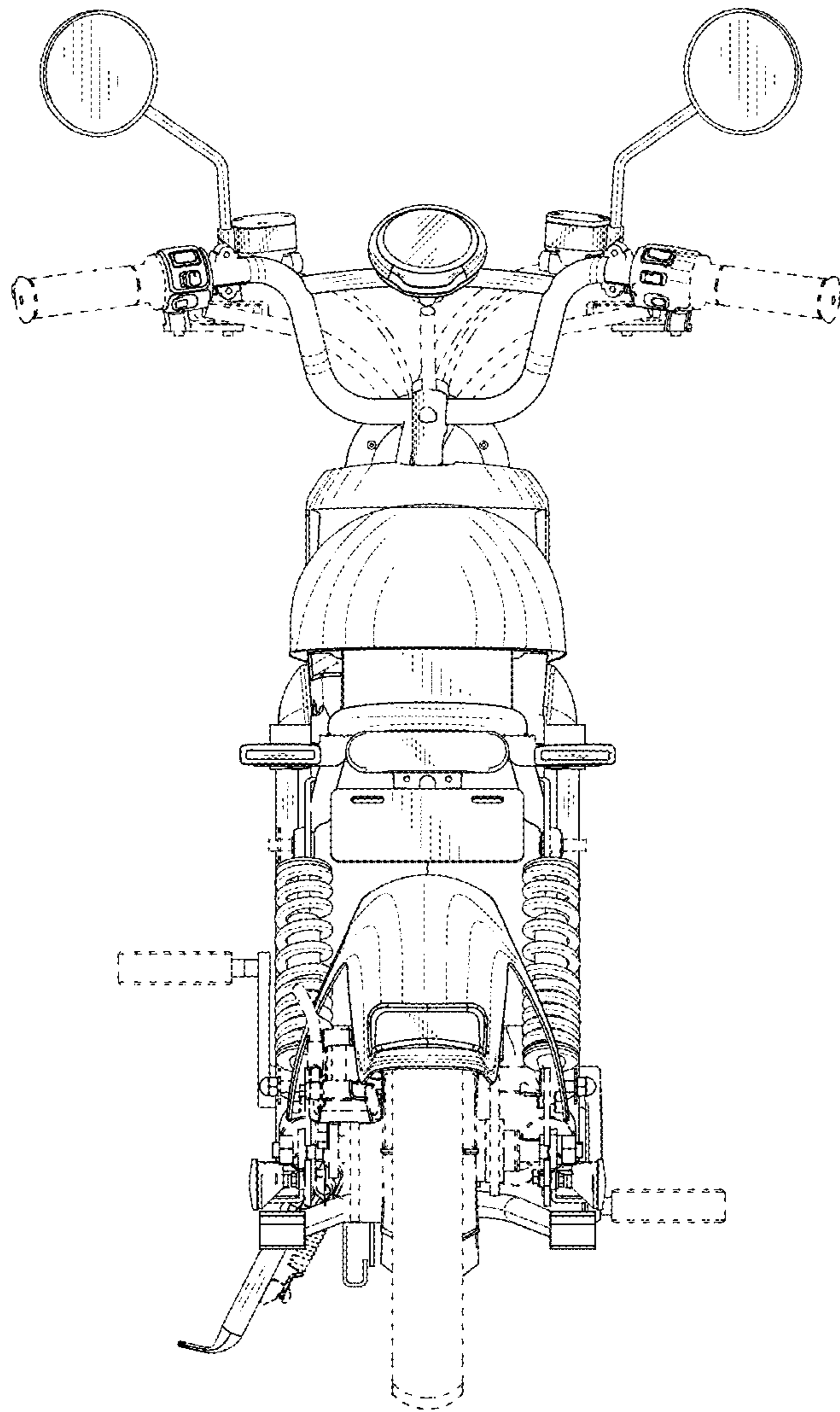


FIG.4

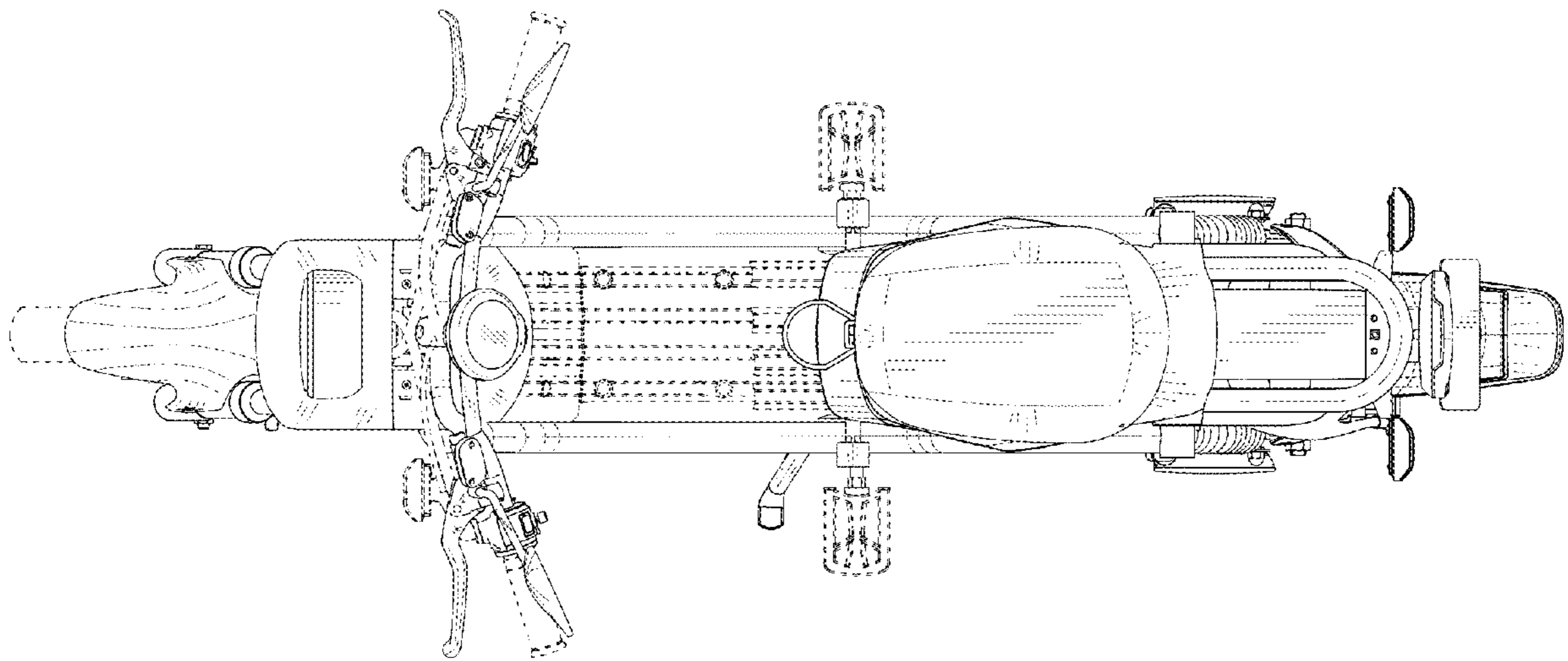


FIG.5

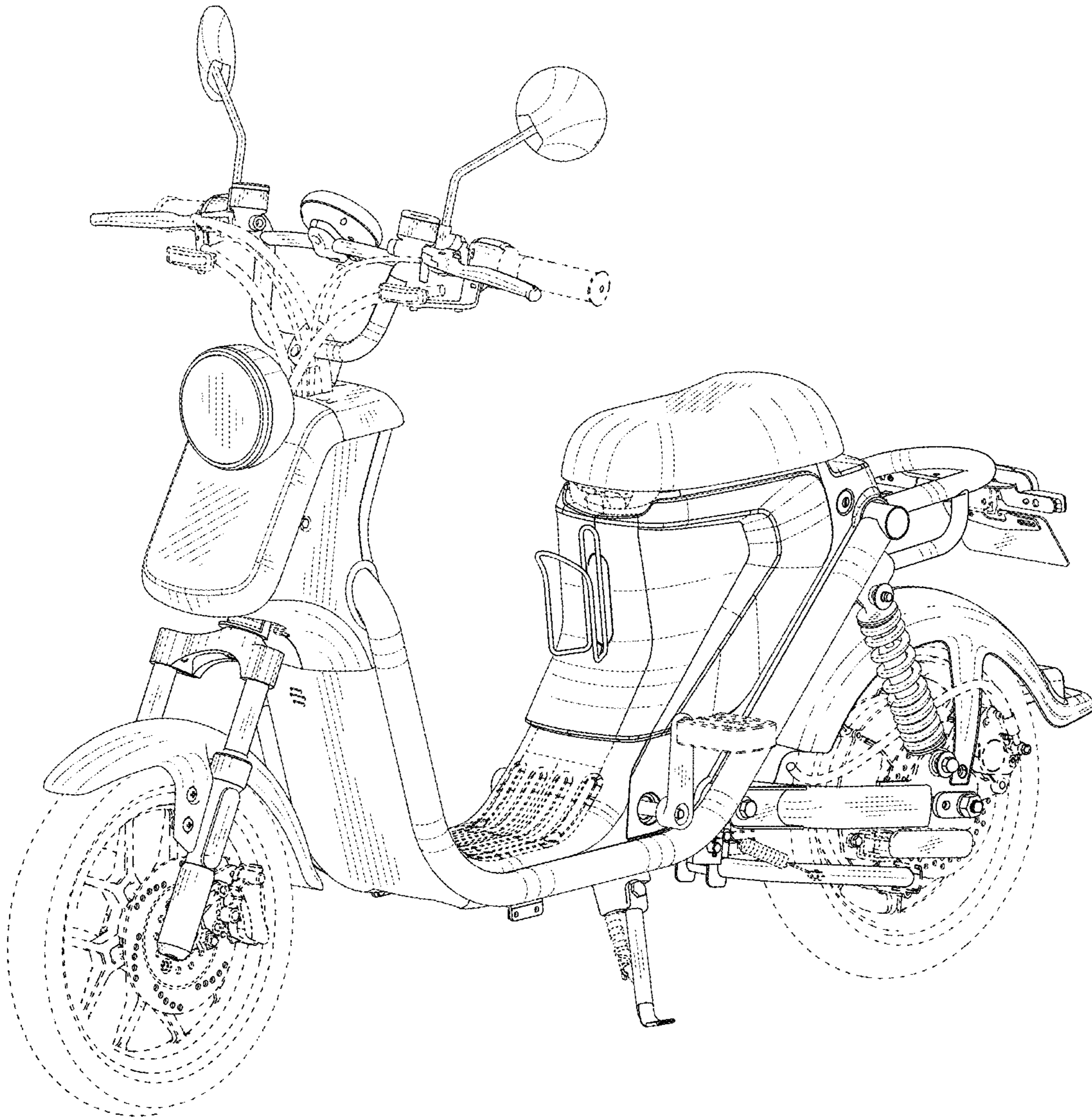


FIG.6