



US00D937711S

(12) **United States Design Patent** (10) **Patent No.:** **US D937,711 S**
Hu et al. (45) **Date of Patent:** **** Dec. 7, 2021**

(54) **ELECTRIC SCOOTER**

(71) Applicant: **BEIJING NIU INFORMATION TECHNOLOGY CO., LTD.**, Beijing (CN)

(72) Inventors: **Yilin Hu**, Beijing (CN); **Chuankai Liu**, Beijing (CN); **Kai Yang**, Beijing (CN); **Yalan Liu**, Beijing (CN); **Yuancheng Liu**, Beijing (CN); **Yunqi Li**, Beijing (CN)

(73) Assignee: **BEIJING NIU INFORMATION TECHNOLOGY CO., LTD.**, Beijing (CN)

(**) Term: **15 Years**

(21) Appl. No.: **29/716,750**

(22) Filed: **Dec. 11, 2019**

(30) **Foreign Application Priority Data**

Jun. 12, 2019 (CN) 201930300438.5

(51) **LOC (13) Cl.** **12-11**

(52) **U.S. Cl.**
USPC **D12/110**

(58) **Field of Classification Search**
USPC D12/107, 110, 111, 117, 114, 119;
D21/412, 414, 419, 423-428, 431-435
CPC . B62K 3/00; B62K 3/005; B62K 9/00; B62K
19/00; B62K 19/02; B62K 19/04; B62K
19/06; B62K 19/16; B62K 3/02; B62K
3/06

See application file for complete search history.

(56) **References Cited**

U.S. PATENT DOCUMENTS

D253,102 S * 10/1979 Hahn D12/110
D273,100 S * 3/1984 Ziegler D12/111

D302,801 S * 8/1989 Lacroix D12/110
D406,253 S * 3/1999 Yamashita D12/110
D441,323 S * 5/2001 Cheng D12/111
D470,438 S * 2/2003 Tateishi D12/110
D538,714 S * 3/2007 Okuyama D12/110
D543,903 S * 6/2007 Kashima D12/110
D578,042 S * 10/2008 Yang D12/111
D644,961 S * 9/2011 Watanabe D12/110
D662,860 S * 7/2012 Devernay D12/110
D678,128 S * 3/2013 Lambri D12/110
D679,223 S * 4/2013 Loasby D12/110
D730,778 S * 6/2015 Harness D12/111

(Continued)

OTHER PUBLICATIONS

“Segway eMoped C80” Segway., posted date Sep. 10, 2019 [online], [retrieved on Mar. 10, 2021]. Retrieved from the Internet <URL: <https://store.segway.com/segway-emoped-c80>> (Year: 2019).*

(Continued)

Primary Examiner — Darlington Ly

Assistant Examiner — Nasim Abdulaziz Ali

(74) *Attorney, Agent, or Firm* — Lando & Anastasi, LLP

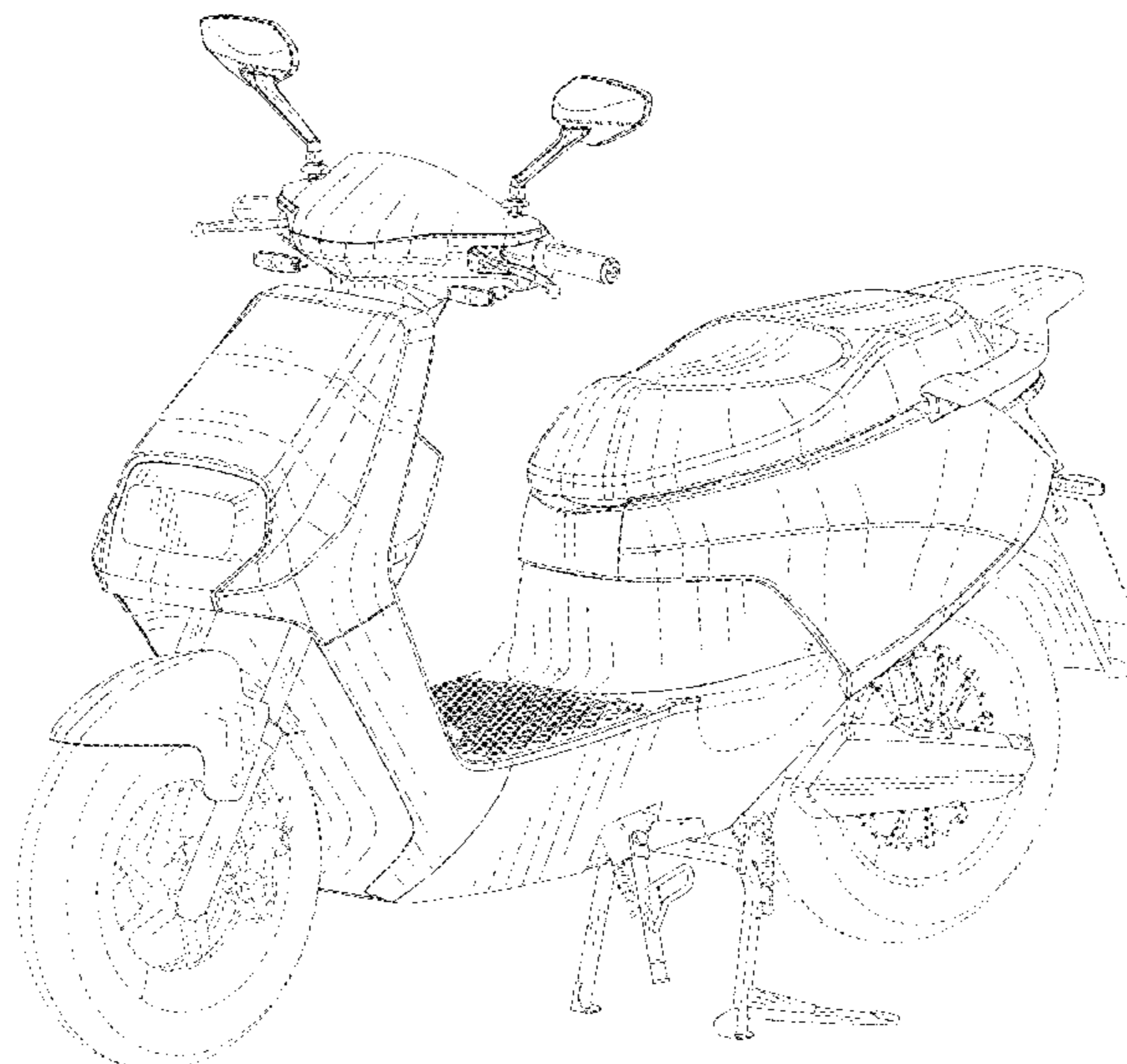
(57) **CLAIM**

The ornamental design for an electric scooter, as shown and described.

DESCRIPTION

FIG. 1 is a front elevation view of an electric scooter embodying our new design;
FIG. 2 is a rear elevation view thereof;
FIG. 3 is a left elevation view thereof;
FIG. 4 is a right elevation view thereof;
FIG. 5 is a top plan view thereof;
FIG. 6 is a bottom plan view thereof; and,
FIG. 7 is a perspective view thereof.
The broken lines shown in the figures depict portions of the electric scooter that form no part of the claimed design.

1 Claim, 5 Drawing Sheets



(56)

References Cited

U.S. PATENT DOCUMENTS

D730,779 S	*	6/2015	Arbour	D12/111
D742,791 S	*	11/2015	Sanderson	D12/110
D761,699 S	*	7/2016	Watanabe	D12/110
D806,610 S	*	1/2018	Su	D12/110
D838,212 S	*	1/2019	David	D12/110
D856,853 S	*	8/2019	Luke	D12/110
D874,984 S	*	2/2020	Luke	D12/110
D910,497 S	*	2/2021	Sun	D12/111

OTHER PUBLICATIONS

“NIU debuts new electric scooters” NIU., posted date Nov. 7, 2018 [online], [retrieved on Mar. 10, 2021]. Retrieved from the Internet <URL: <https://electrek.co/2018/11/07/niu-electric-scooters-umini/>> (Year: 2018).*

“Xiaomi’s Cute Electric Moped” Xiamoi., posted date Mar. 30, 2020 [online], [retrieved on Mar. 10, 2021]. Retrieved from the Internet <URL: <https://www.zigwheels.com/news-features/news/xiaomi-a1-e-bike-unveiled-in-china-cheaper-than-oneplus-7/38034/>> (Year: 2020).*

* cited by examiner

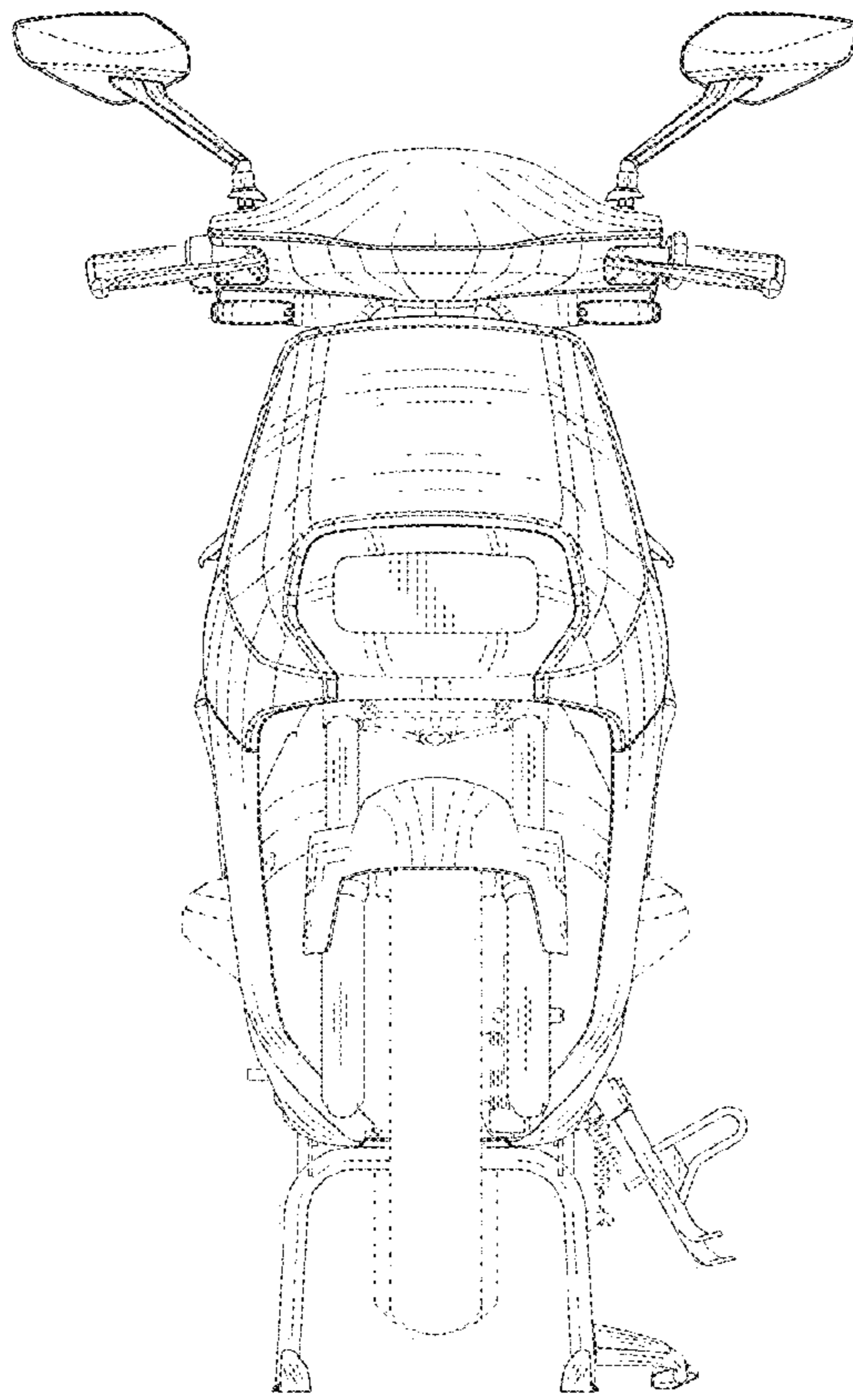


FIG. 1

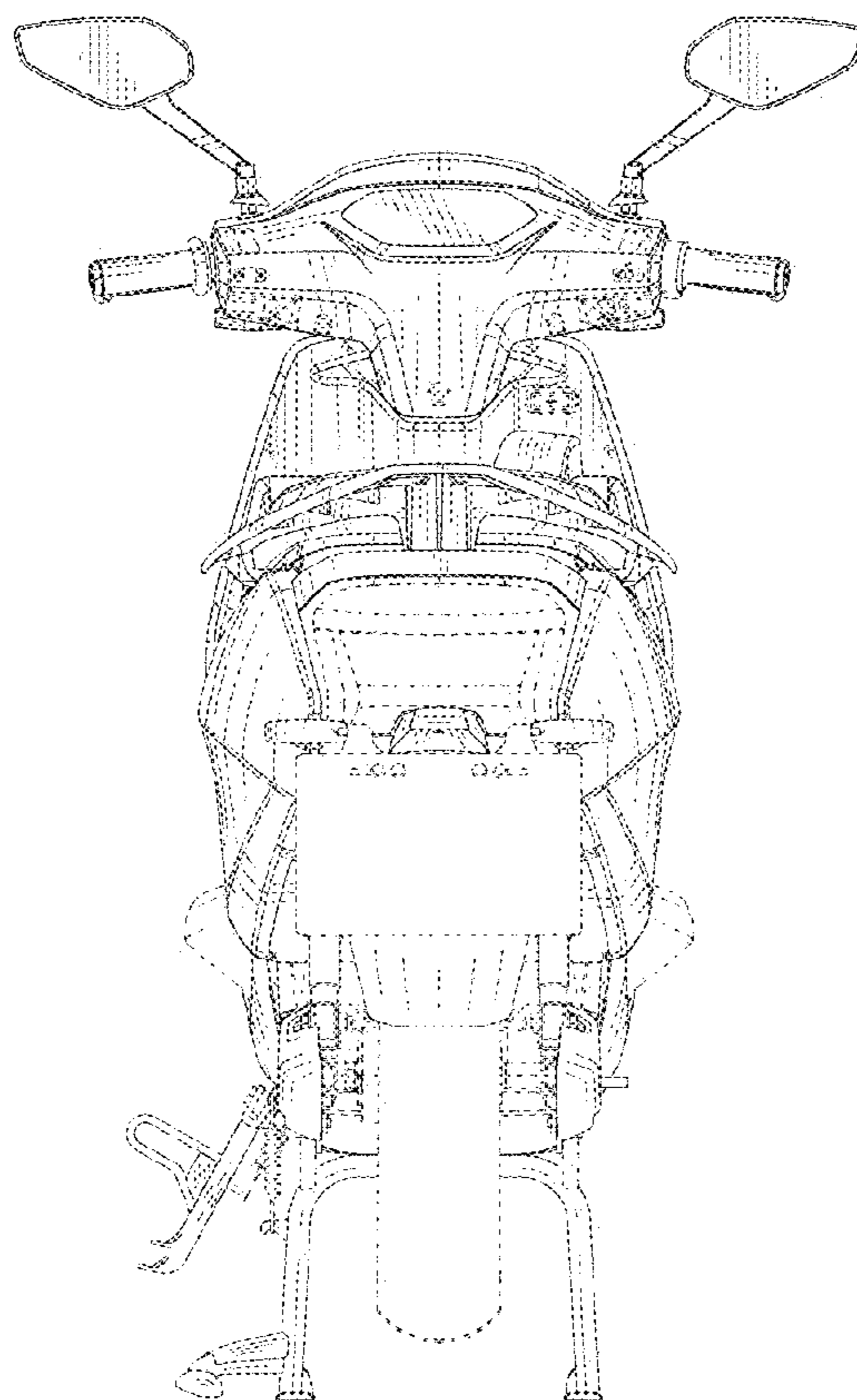


FIG. 2

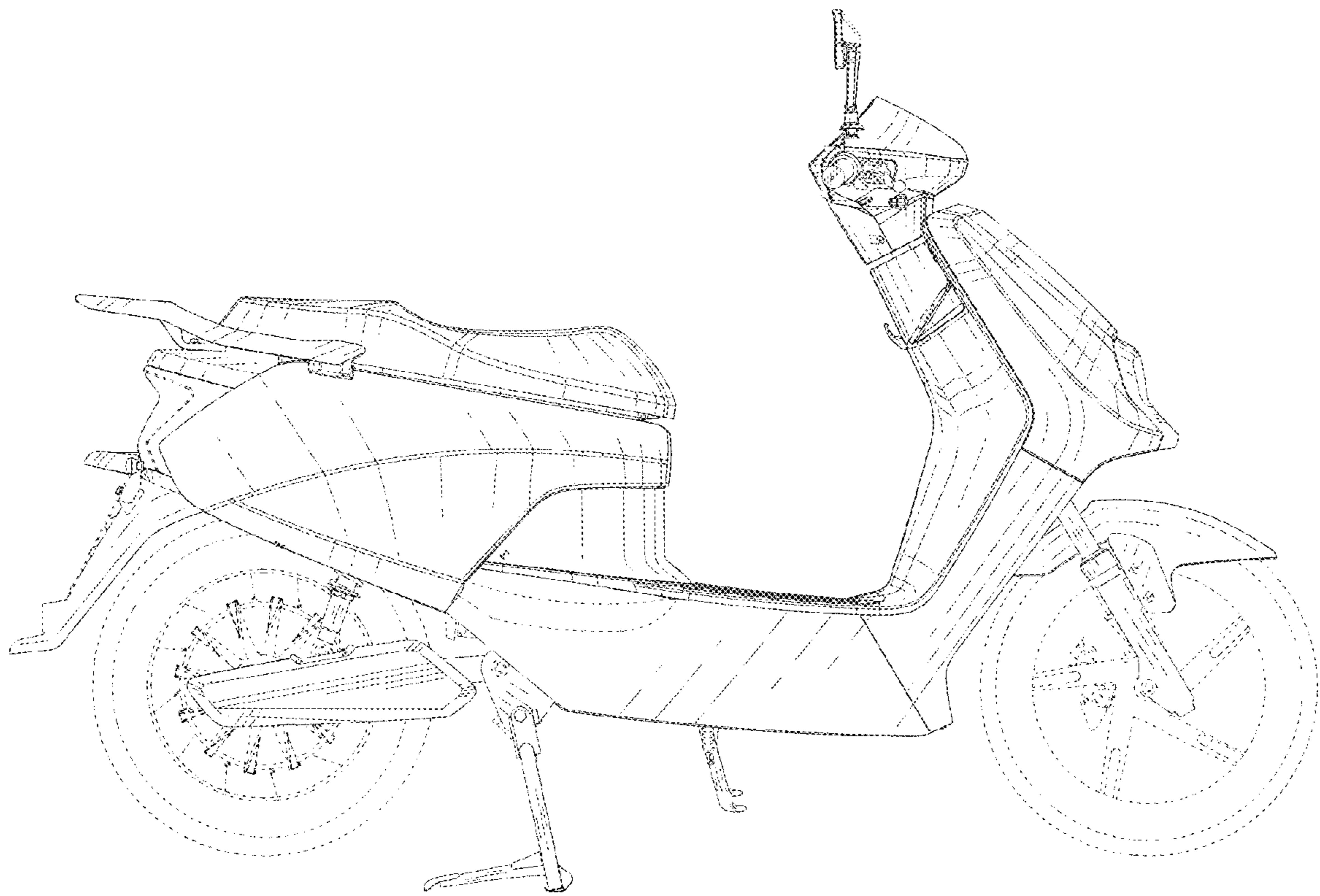


FIG.3

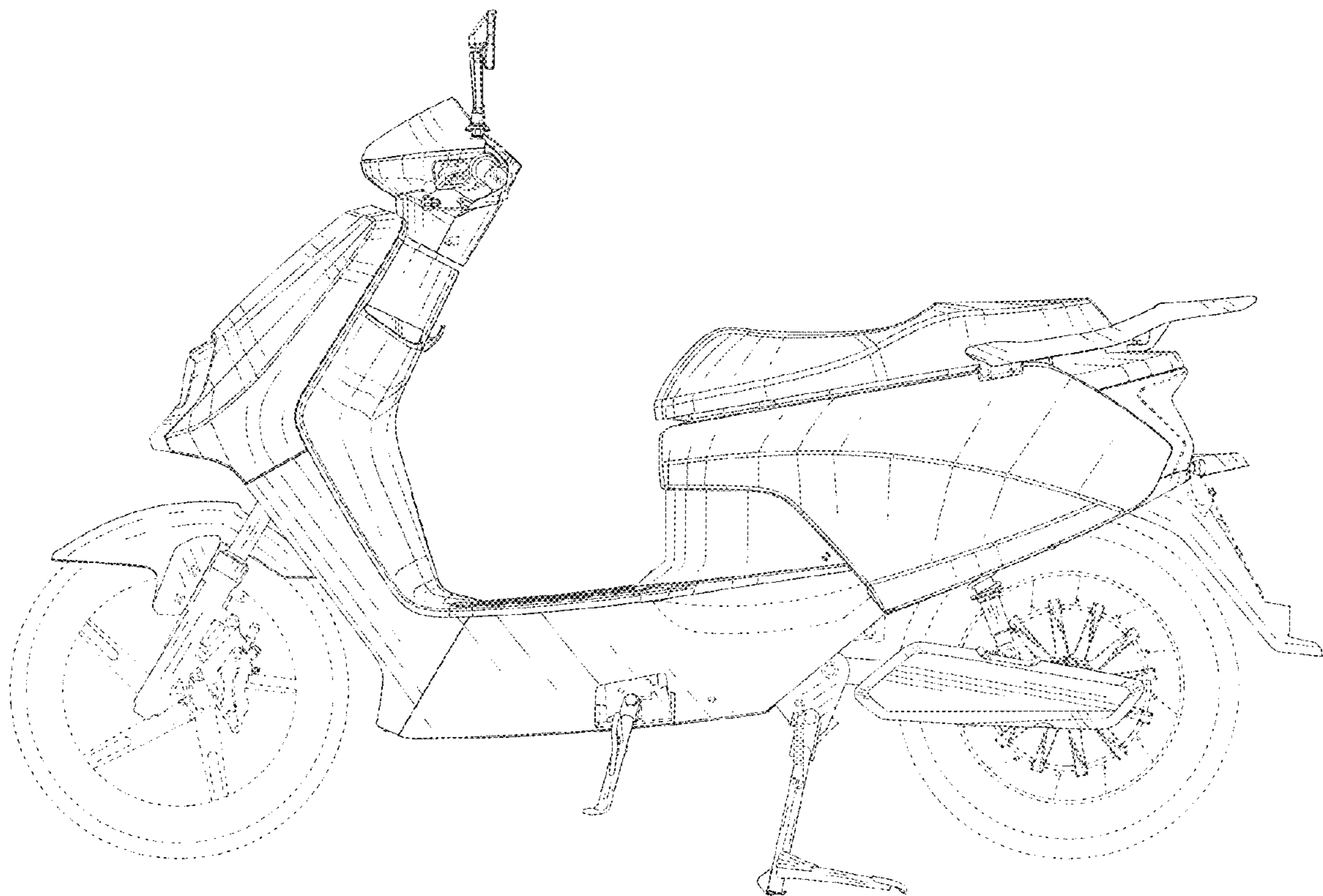


FIG.4

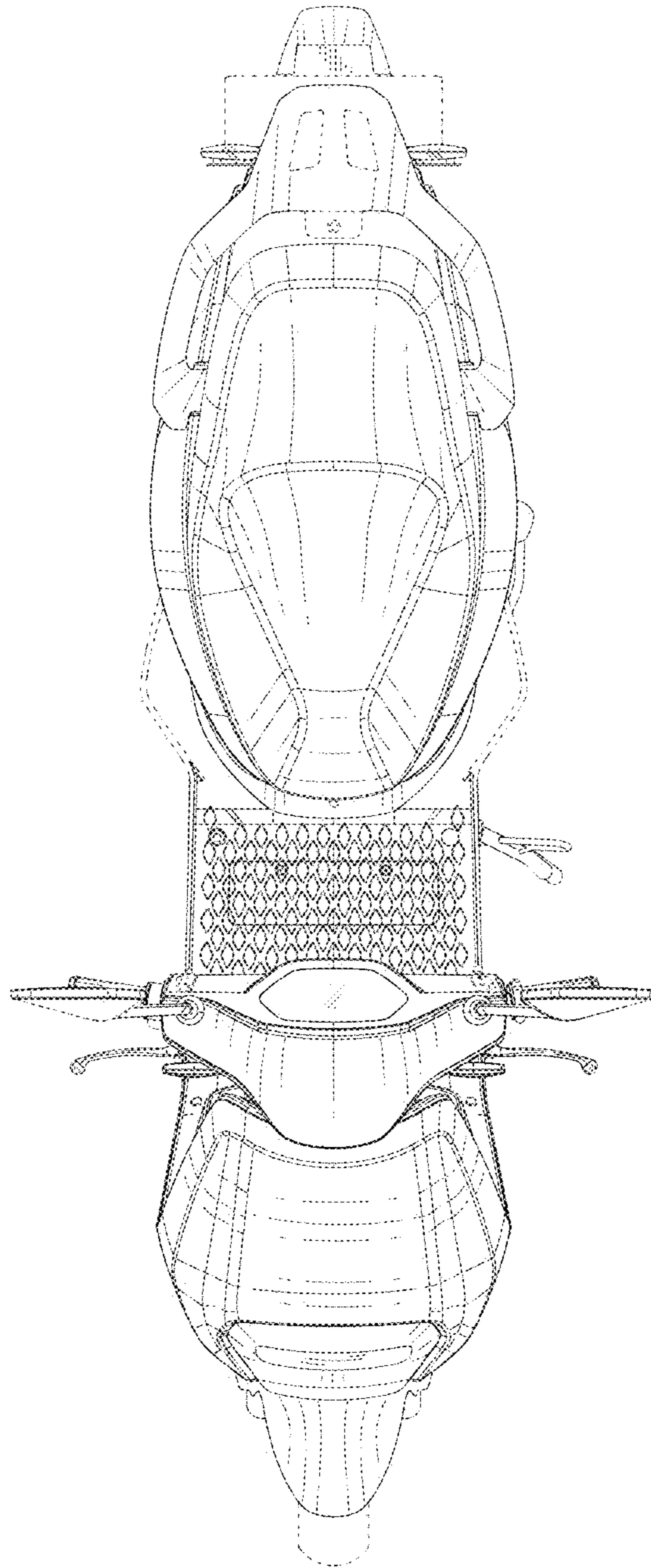


FIG.5

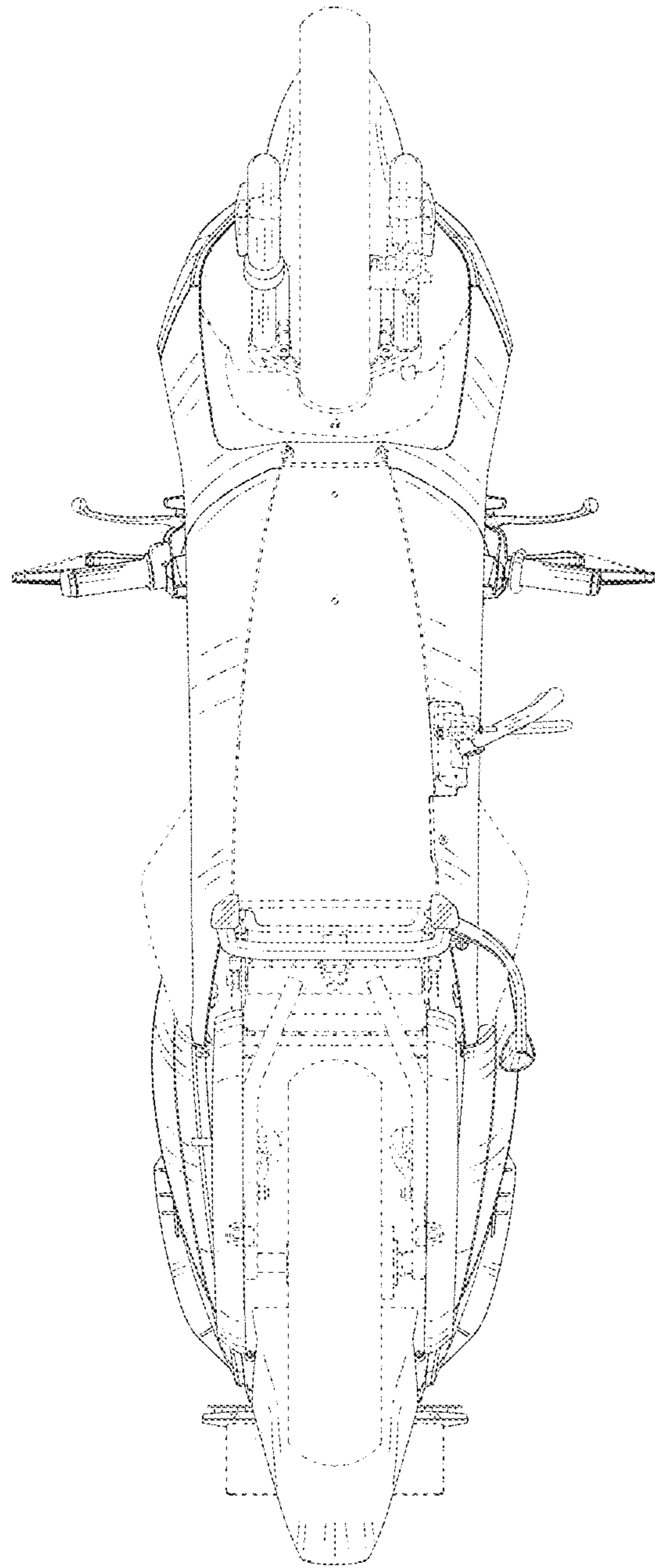


FIG. 6

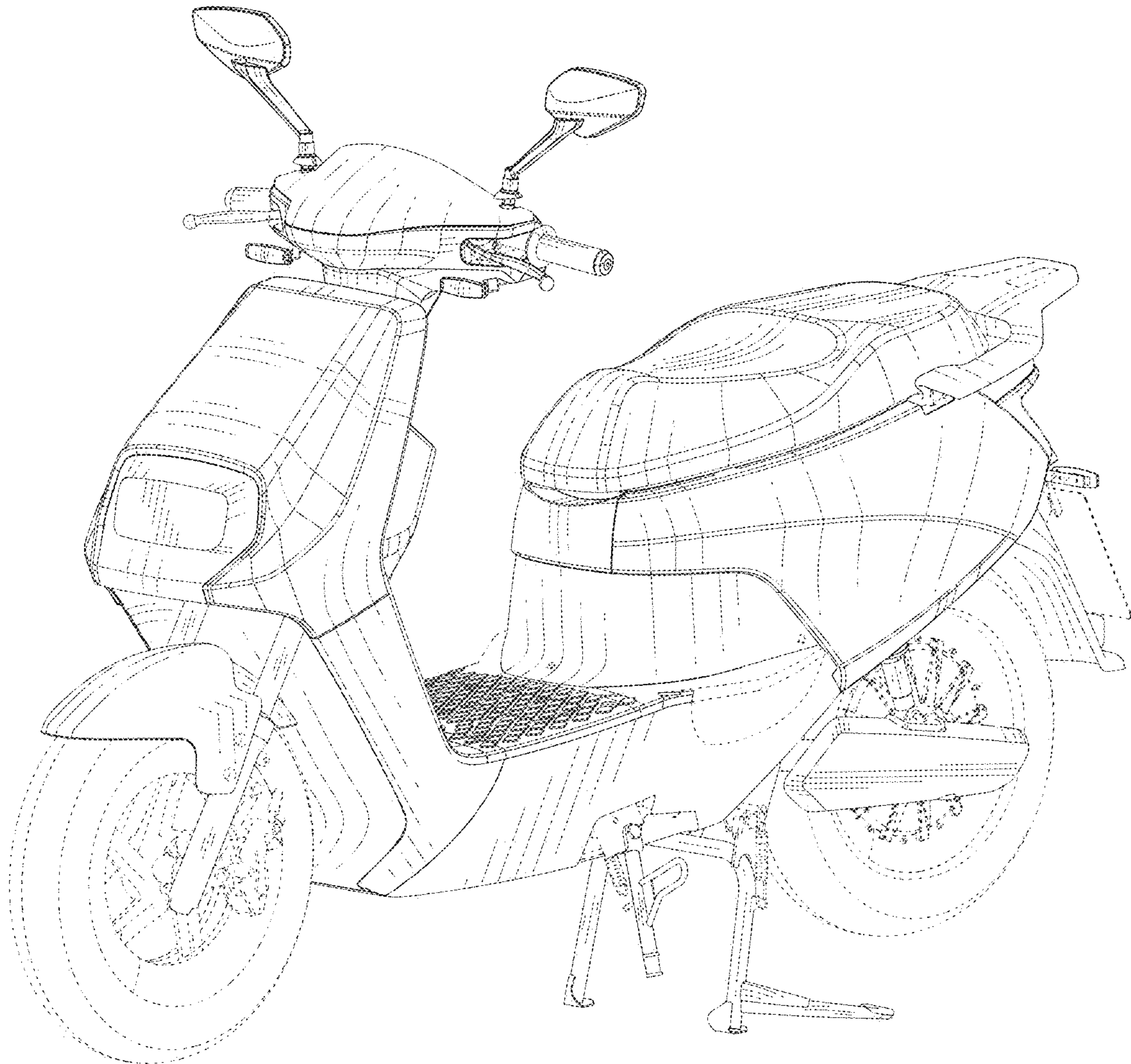


FIG. 7