



US00D937710S

(12) **United States Design Patent** (10) **Patent No.:** **US D937,710 S**
Dunn et al. (45) **Date of Patent:** **** Dec. 7, 2021**

(54) **ALL-TERRAIN VEHICLE**
(71) Applicant: **Polaris Industries Inc.**, Medina, MN (US)
(72) Inventors: **Ian M. Dunn**, Chanhassen, MN (US); **Brian N. Flick**, Maple Grove, MN (US)
(73) Assignee: **Polaris Industries Inc.**, Medina, MN (US)

3,747,888 A 7/1973 Heckett
3,841,696 A 10/1974 Wagner
3,844,610 A 10/1974 Adams
3,858,902 A 1/1975 Howells et al.
3,913,975 A 10/1975 Carter
(Continued)

FOREIGN PATENT DOCUMENTS

CH 317335 A 11/1956
CN 202030445882.9 * 3/2021
(Continued)

(**) Term: **15 Years**

OTHER PUBLICATIONS

(21) Appl. No.: **29/743,786**
(22) Filed: **Jul. 24, 2020**
(51) **LOC (13) Cl.** **12-11**
(52) **U.S. Cl.**
USPC **D12/107; D12/87**
(58) **Field of Classification Search**
USPC **D12/3, 86, 87, 107, 110**
CPC **B60K 5/12; B60K 13/04; B60K 17/354**
See application file for complete search history.

“2020 Fourtrax Recon” Honda., posted date Jun. 22, 2019 [online], [retrieved on Jul. 13, 2021]. Retrieved from the Internet <URL: <https://powersports.honda.com/atv/recutility/fourtrax-recon?year=2020>> (Year: 2019).*

(Continued)

Primary Examiner — Darlington Ly
Assistant Examiner — Nasim Abdulaziz Ali
(74) *Attorney, Agent, or Firm* — Faegre Drinker Biddle & Reath LLP

(56) **References Cited**

(57) **CLAIM**
The ornamental design for an all-terrain vehicle, as shown and described.

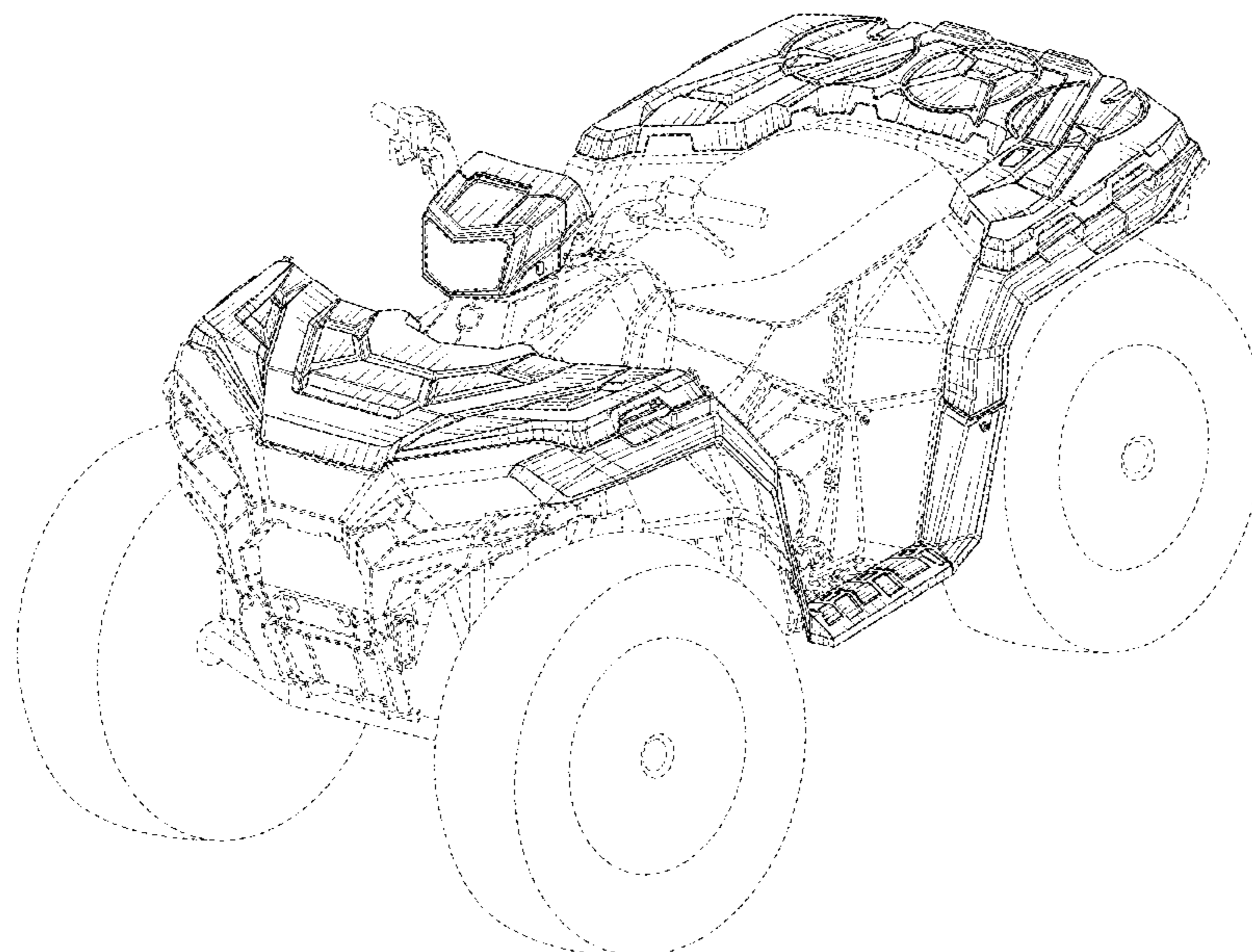
U.S. PATENT DOCUMENTS

DESCRIPTION

1,082,423 A 12/1913 Hartman
1,951,220 A 3/1934 Tarr
2,141,093 A 12/1938 Edward et al.
2,284,352 A 5/1942 Zank
2,396,511 A 3/1946 Issigonis
2,628,657 A 2/1953 Orrick, Jr.
2,672,103 A 3/1954 Hohmes
2,868,273 A 1/1959 Barrett
2,984,290 A 5/1961 Miller
3,167,298 A 1/1965 Alexander et al.
3,347,512 A 10/1967 Campbell
3,508,764 A 4/1970 Dobson et al.
3,560,022 A 2/1971 Gold
3,736,020 A 5/1973 Pilachowski et al.

FIG. 1 is a front and left side perspective view of an all-terrain vehicle embodying our new design;
FIG. 2 is a front elevation view thereof;
FIG. 3 is a rear elevation view thereof;
FIG. 4 is a left side elevation view thereof;
FIG. 5 is a right side elevation view thereof; and,
FIG. 6 is a top plan view thereof.
The portions of the vehicle and the vehicle components shown in broken lines form no part of the claimed design.

1 Claim, 6 Drawing Sheets



(56)

References Cited

U.S. PATENT DOCUMENTS

3,927,854 A	12/1975	Carey	7,237,789 B1	7/2007	Herman
4,027,892 A	6/1977	Parks	7,239,032 B1	7/2007	Wilson et al.
4,059,171 A	11/1977	Pakosh	7,258,192 B2	8/2007	Davis et al.
4,062,585 A	12/1977	Herring, Jr.	7,331,418 B2	2/2008	Audet
4,098,414 A	7/1978	Abiera	7,416,234 B2	8/2008	Bequette
4,129,198 A	12/1978	Hunter	7,431,024 B2	10/2008	Buchwitz et al.
4,198,092 A	4/1980	Federspiel	7,506,714 B2	3/2009	Davis et al.
4,380,352 A	4/1983	Diffrient	D593,003 S *	5/2009	Sanschagrin D12/107
4,521,053 A	6/1985	De Boer	D593,454 S *	6/2009	Sanschagrin D12/107
4,522,454 A	6/1985	Hochstatter	D594,388 S *	6/2009	Sanschagrin D12/107
4,527,831 A	7/1985	Katsuoka	D606,900 S *	12/2009	Flores D12/87
4,561,323 A	12/1985	Stromberg	7,682,115 B1	3/2010	Jay et al.
4,563,038 A	1/1986	Hirose	7,686,368 B2	3/2010	Ghergheli et al.
4,662,597 A	5/1987	Uecker et al.	7,703,826 B1	4/2010	German
4,714,227 A	12/1987	Holm et al.	8,122,993 B2	2/2012	Ripley et al.
4,779,695 A	10/1988	Yasui	D657,720 S *	4/2012	Eck D12/107
4,821,825 A	4/1989	Somerton-Rayner	8,205,910 B2	6/2012	Leonard et al.
4,934,737 A	6/1990	Nakatsuka	8,215,694 B2	7/2012	Smith et al.
4,941,784 A	7/1990	Flament	D665,309 S *	8/2012	Lepine D12/107
5,007,675 A	4/1991	Musto et al.	D665,312 S *	8/2012	Lepine D12/126
5,036,939 A	8/1991	Johnson et al.	8,376,441 B2	2/2013	Nakamura et al.
5,037,155 A	8/1991	Holm et al.	8,430,442 B2	4/2013	Utke et al.
5,149,034 A	9/1992	Ganaja	D701,143 S *	3/2014	Shan D12/87
5,251,713 A	10/1993	Enokimoto	8,678,464 B2	3/2014	Smith et al.
5,309,861 A	5/1994	Mardikian	8,905,435 B2	12/2014	Ripley et al.
5,324,095 A	6/1994	Yamauchi	D722,927 S *	2/2015	Schroeder D12/171
5,367,978 A	11/1994	Mardikian	D727,807 S *	4/2015	Schroeder D12/173
5,458,213 A	10/1995	Nakaya et al.	9,080,514 B2	7/2015	Utke et al.
5,509,496 A	4/1996	Erickson et al.	D756,845 S *	5/2016	Flores D12/87
5,549,428 A	8/1996	Yeatts	D805,009 S *	12/2017	Eck D12/171
5,613,570 A	3/1997	Becker	9,873,316 B2 *	1/2018	Lovold B62K 5/01
5,618,021 A	4/1997	Brodersen	D862,286 S *	10/2019	Flores D12/87
5,676,292 A	10/1997	Miller	D866,402 S *	11/2019	Wang D12/107
5,713,629 A	2/1998	Plackis	10,569,819 B2 *	2/2020	Lovold B62K 5/007
5,776,568 A	7/1998	Andress et al.	D886,678 S *	6/2020	Lai D12/87
5,863,277 A	1/1999	Melbourne	D906,181 S *	12/2020	Lou D12/107
5,876,085 A	3/1999	Hill	D908,536 S *	1/2021	Ye D12/87
5,950,750 A	9/1999	Dong et al.	D913,847 S *	3/2021	Hashimoto D12/87
6,007,150 A	12/1999	Clerkin et al.	2002/0011745 A1	1/2002	Petersen
6,092,877 A	7/2000	Rasidescu et al.	2002/0147072 A1	10/2002	Goodell et al.
6,102,466 A	8/2000	Kanazawa et al.	2002/0178968 A1	12/2002	Christensen
6,149,540 A	11/2000	Johnson et al.	2003/0001409 A1	1/2003	Semple et al.
6,182,590 B1	2/2001	Patera	2004/0026150 A1	2/2004	Nishi et al.
6,196,634 B1	3/2001	Jurinek	2004/0029459 A1	2/2004	Berthiaume et al.
6,199,894 B1	3/2001	Anderson	2004/0031640 A1	2/2004	Tweet
6,276,653 B1	8/2001	Traxler	2004/0079561 A1	4/2004	Ozawa et al.
6,354,556 B1	3/2002	Ritchie et al.	2004/0108159 A1	6/2004	Rondeau et al.
6,460,818 B1	10/2002	Garellick et al.	2004/0173653 A1	9/2004	Audet
6,467,787 B1	10/2002	Marsh	2004/0195797 A1	10/2004	Nash et al.
6,530,730 B2	3/2003	Swensen	2005/0121953 A1	6/2005	Sprouse, II
6,622,968 B1	9/2003	St. Clair et al.	2005/0168018 A1	8/2005	Cox
6,648,569 B2	11/2003	Douglass et al.	2005/0173177 A1	8/2005	Smith et al.
6,695,566 B2	2/2004	Rodriguez Navio	2005/0173180 A1	8/2005	Hypes et al.
6,725,962 B1	4/2004	Fukuda	2005/0247506 A1	11/2005	Rondeau et al.
6,732,830 B2	5/2004	Gagnon et al.	2005/0248116 A1	11/2005	Fanson
6,752,235 B1	6/2004	Bell et al.	2005/0275268 A1	12/2005	Oomori
6,767,040 B1	7/2004	Freijy	2006/0066122 A1	3/2006	Wiseman
6,773,049 B2	8/2004	Rupiper et al.	2006/0097692 A1	5/2006	Chen et al.
6,786,526 B1	9/2004	Blalock	2006/0113139 A1	6/2006	Nishi et al.
6,799,779 B2	10/2004	Shibayama	2007/0034435 A1	2/2007	Berg et al.
6,799,781 B2	10/2004	Rasidescu et al.	2007/0262604 A1	11/2007	Takei et al.
6,880,483 B2	4/2005	Fedders	2007/0278026 A1	12/2007	Davis et al.
6,916,142 B2	7/2005	Hansen et al.	2008/0023240 A1	1/2008	Sunsdahl et al.
6,923,507 B1	8/2005	Billberg et al.	2008/0023249 A1	1/2008	Sunsdahl et al.
RE38,895 E	11/2005	McLemore	2008/0217088 A1	9/2008	Berg
6,968,917 B2	11/2005	Rondeau et al.	2009/0195035 A1	8/2009	Ripley et al.
6,971,714 B1	12/2005	Hanagan	2009/0236820 A1	9/2009	Chang et al.
6,976,720 B1	12/2005	Bequette	2010/0019524 A1	1/2010	Utke et al.
6,978,857 B2	12/2005	Korenjak	2010/0084212 A1 *	4/2010	Smith B60N 2/38 180/311
7,008,015 B2	3/2006	Bischoff	2011/0094813 A1	4/2011	Suzuki et al.
7,055,454 B1	6/2006	Whiting et al.	2011/0094816 A1	4/2011	Suzuki et al.
7,121,371 B2	10/2006	Rondeau et al.	2012/0031694 A1	2/2012	Deckard et al.
7,124,853 B1	10/2006	Kole, Jr.	2014/0102820 A1	4/2014	Deckard et al.
7,125,134 B1	10/2006	Hedlund et al.	2015/0047917 A1	2/2015	Burt et al.
7,137,764 B2	11/2006	Johnson	2016/0332536 A1 *	11/2016	Weber B60G 11/48

(56)

References Cited

U.S. PATENT DOCUMENTS

2020/0010120 A1 1/2020 Kinsman et al.
 2020/0171942 A1* 6/2020 Evans F02D 11/04

FOREIGN PATENT DOCUMENTS

DE	0116605	C	2/1900
DE	1755101	A1	4/1971
DE	3033707	A1	4/1982
DE	4136296	A1	5/1993
DE	19531985	A1	3/1997
DE	102005013610	A1	9/2006
EP	0238077	A2	9/1987
EP	0709247	A2	5/1996
EP	0794096	A2	9/1997
EP	1215107	A1	6/2002
EP	1296036	A2	3/2003
EP	1557345	A2	7/2005
EP	1564123	A2	8/2005
GB	0159650	A	3/1921
GB	1501631	A	2/1978
JP	06-105727	B2	12/1994
JP	11-334447	A	12/1999
JP	2000-177434	A	6/2000
JP	2004-308453	A	11/2004
WO	03/53769	A1	7/2003
WO	2008/100398	A2	8/2008
WO	2008/115459	A1	9/2008

OTHER PUBLICATIONS

“Sportsman 850” Polaris., posted date Jun. 29, 2017 [online], [retrieved on Jul. 13, 2021]. Retrieved from the Internet <URL: <https://atv.polaris.com/en-us/sportsman-850/>> (Year: 2017).*

“2019 Polaris Sportsman 850” Polaris., posted date Jul. 23, 2019 [online], [retrieved on Jul. 13, 2021]. Retrieved from the Internet <URL: <http://atvillustrated.com/content/2019-polaris-sportsman-850-sp-premium-review>> (Year: 2019).*

International Preliminary Report on Patentability issued by the European Patent Office, dated Mar. 15, 2011, for International Patent Application No. PCT/US2009/059535; 6 pages.

International Preliminary Report on Patentability issued by the European Patent Office, dated May 11, 2009, for International Patent Application No. PCT/US2008/003483; 20 pages.

International Preliminary Report on Patentability issued by the European Patent Office, dated Jan. 27, 2011, for International Patent Application No. PCT/US2009/049799; 13 pages.

International Search Report and Written Opinion issued by the European Patent Office, dated Aug. 27, 2008, for International Patent Application No. PCT/US2008/003485; 11 pages.

International Search Report and Written Opinion issued by the European Patent Office, dated Jan. 6, 2010, for International Patent Application No. PCT/US2009/059535; 10 pages.

International Search Report and Written Opinion issued by the European Patent Office, dated Oct. 2, 2008; for International Patent Application No. PCT/US2008/003483; 15 pages.

International Search Report and Written Opinion issued by the European Patent Office, dated Sep. 1, 2008, for International Patent Application No. PCT/US2008/003480; 17 pages.

International Search Report and Written Opinion issued by the International Searching Authority, dated Sep. 19, 2016, for International Patent Application No. PCT/US2016/031992; 20 pages.

International Search Report issued by the European Patent Office, dated Feb. 24, 2010, for International Patent Application No. PCT/US2009/049799; 6 pages.

The Council of the European Communities, “Council Directive on the approximation of the laws of the Member States relating to the driver’s seat on wheeled agricultural or forestry tractors (78/764/EEC) (OJL 255, 18.9, 1978)”, Jul. 25, 1978, 69 pages, available at <http://eurlex.europa.eu/LexUriServ/LexUriServ.do?uri=CONSLEG:1978L0764:20070101:EN.pdf>.

Written Opinion issued by the International Searching Authority, dated Feb. 24, 2010, for International Patent Application No. PCT/US2009/049799; 7 pages.

* cited by examiner

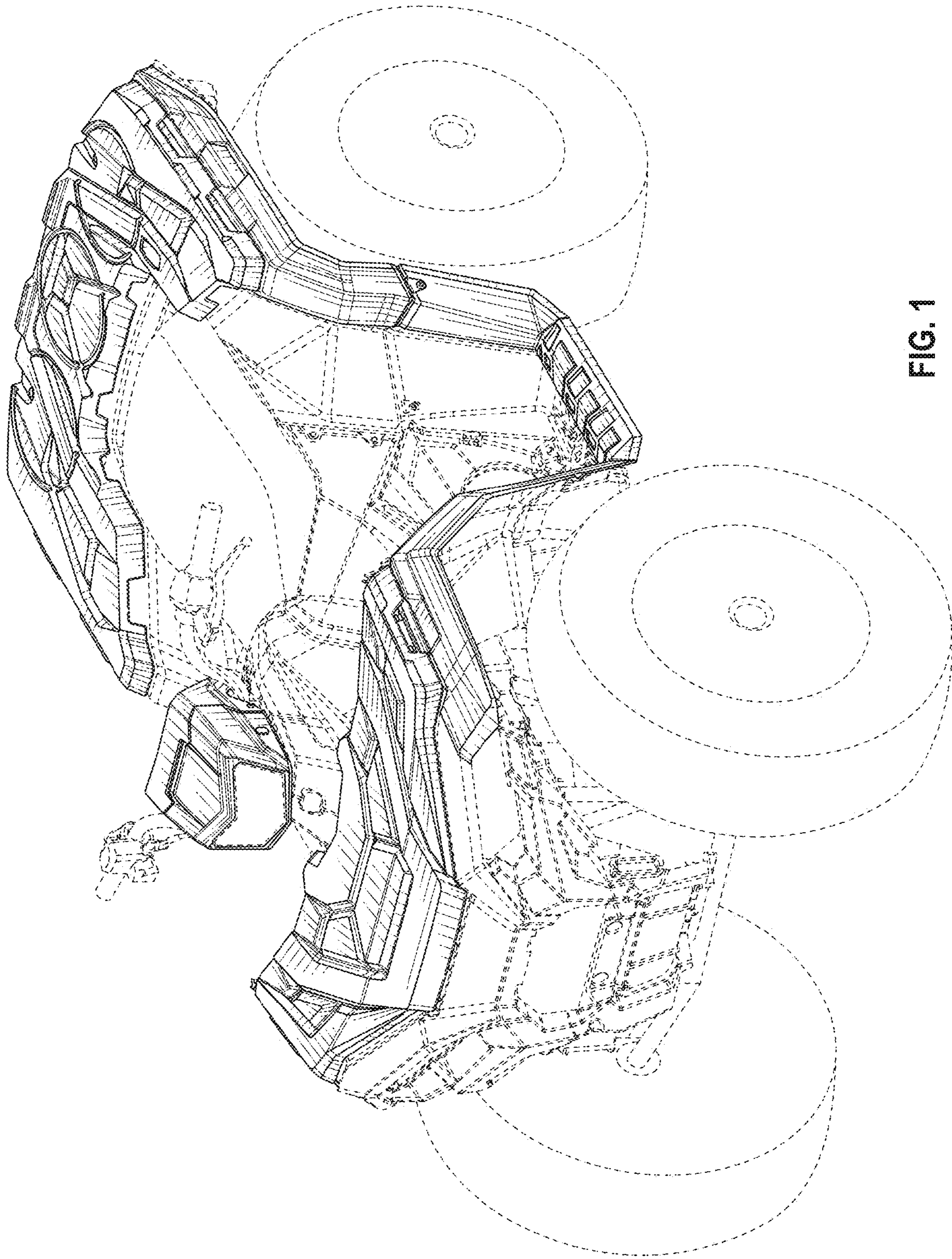


FIG. 1

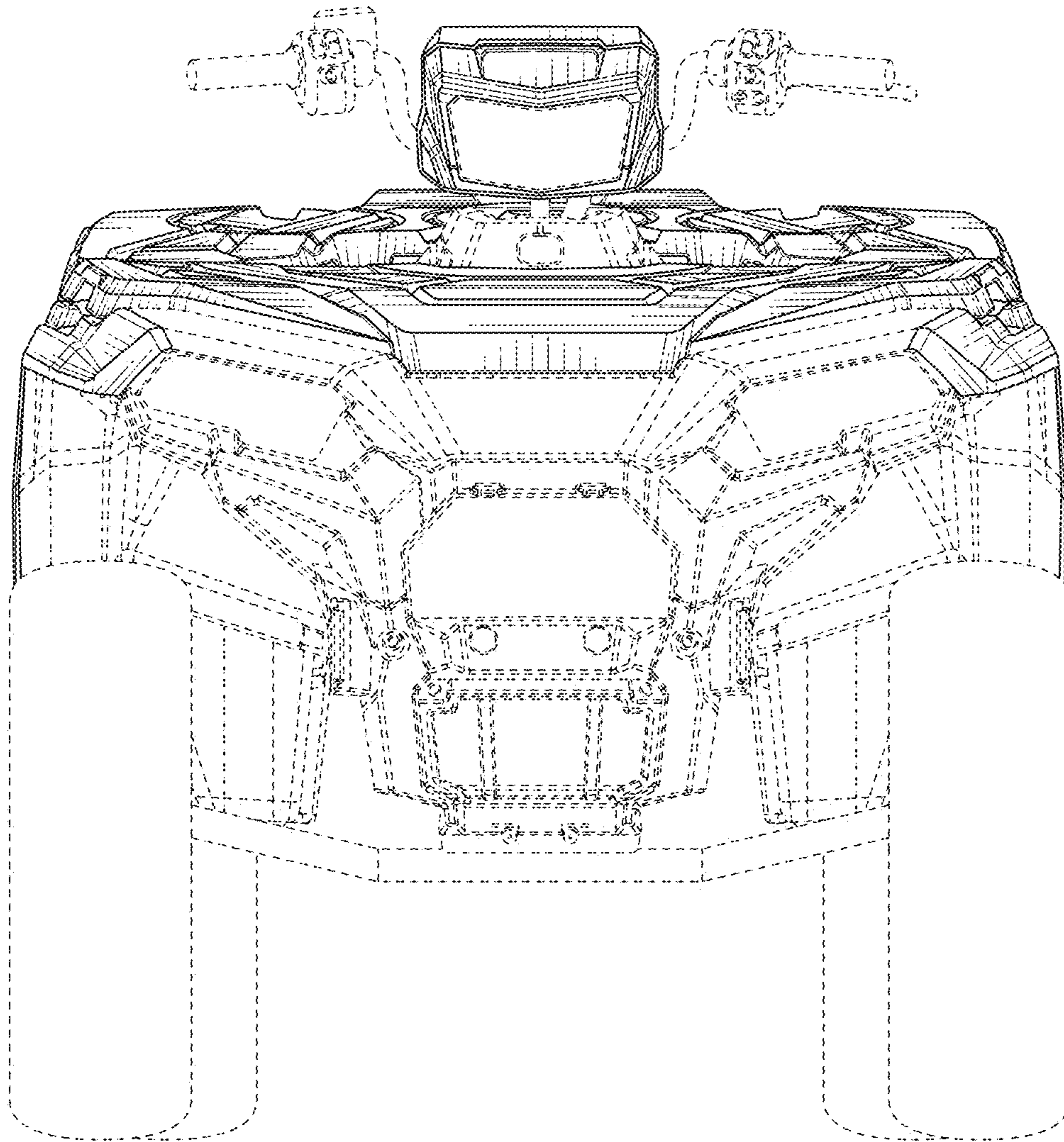


FIG. 2

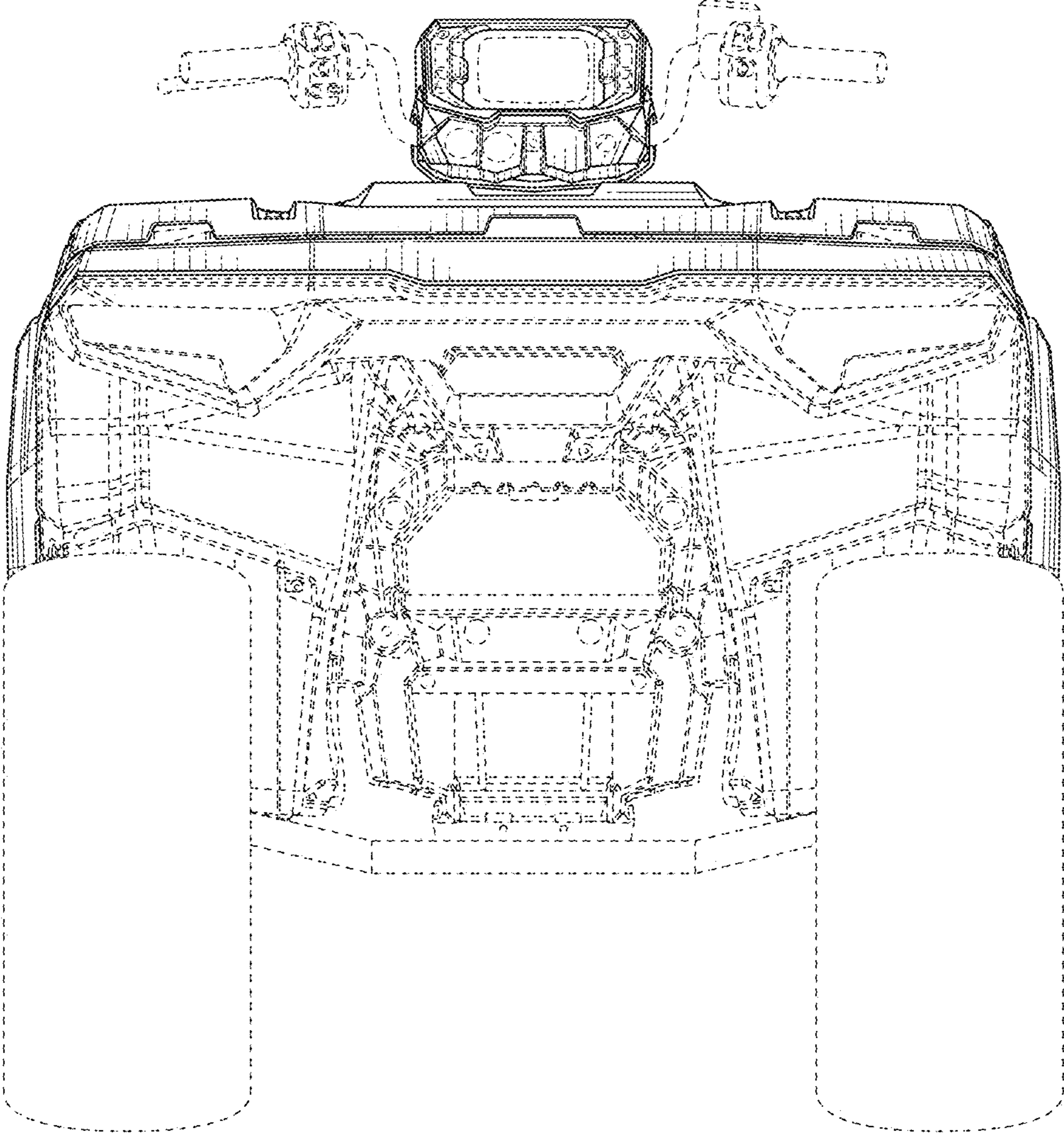


FIG. 3

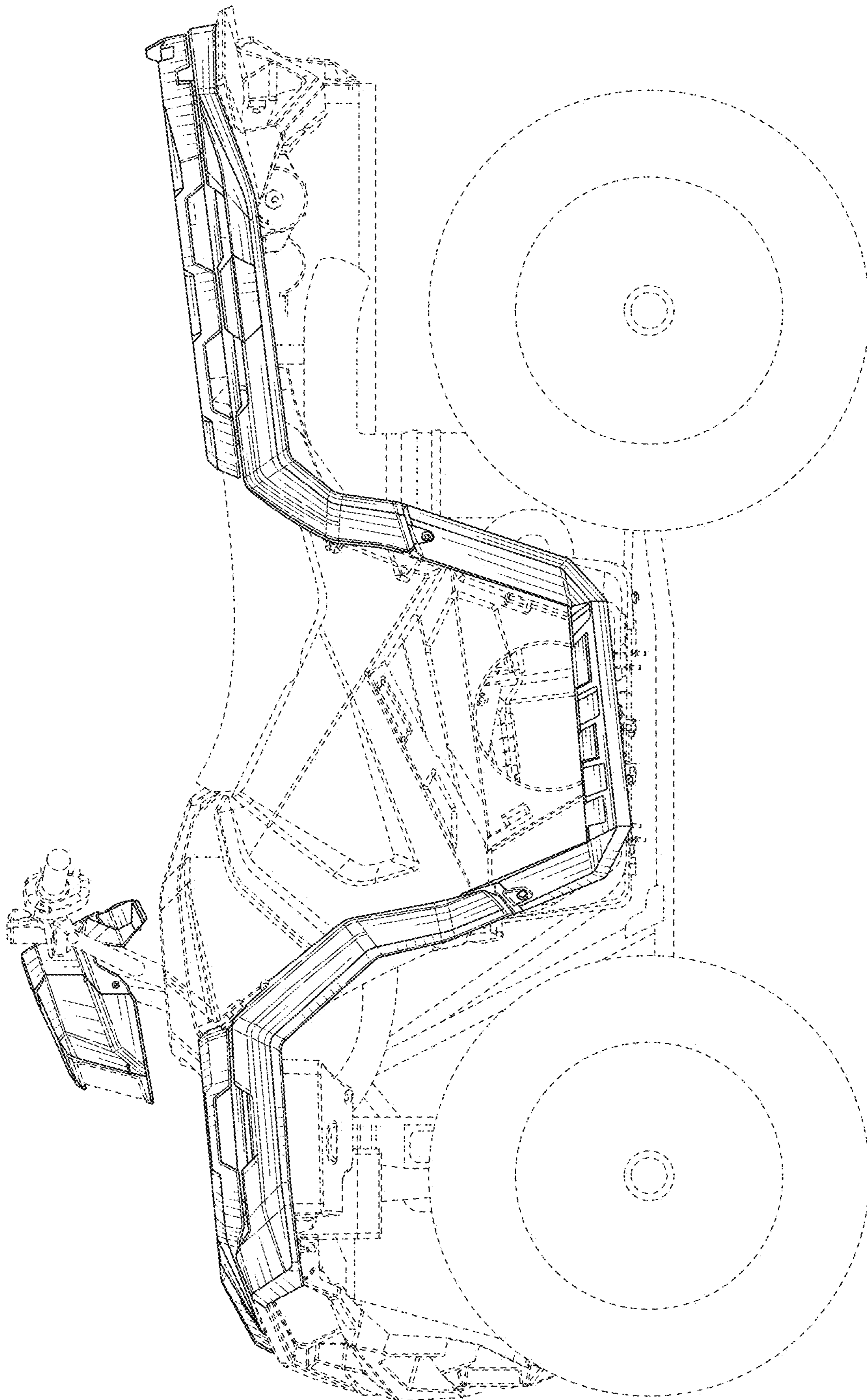


FIG. 4

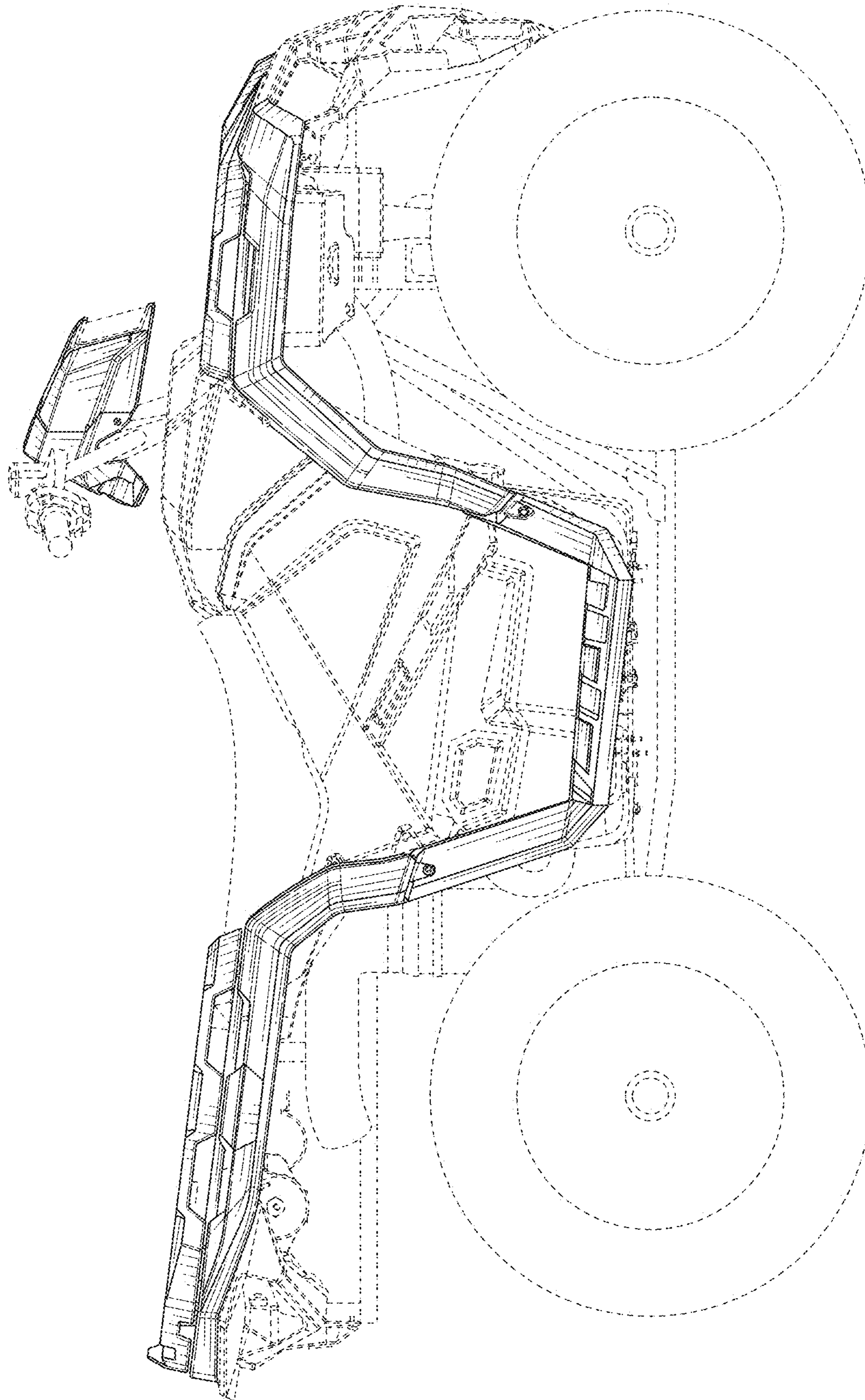


FIG. 5

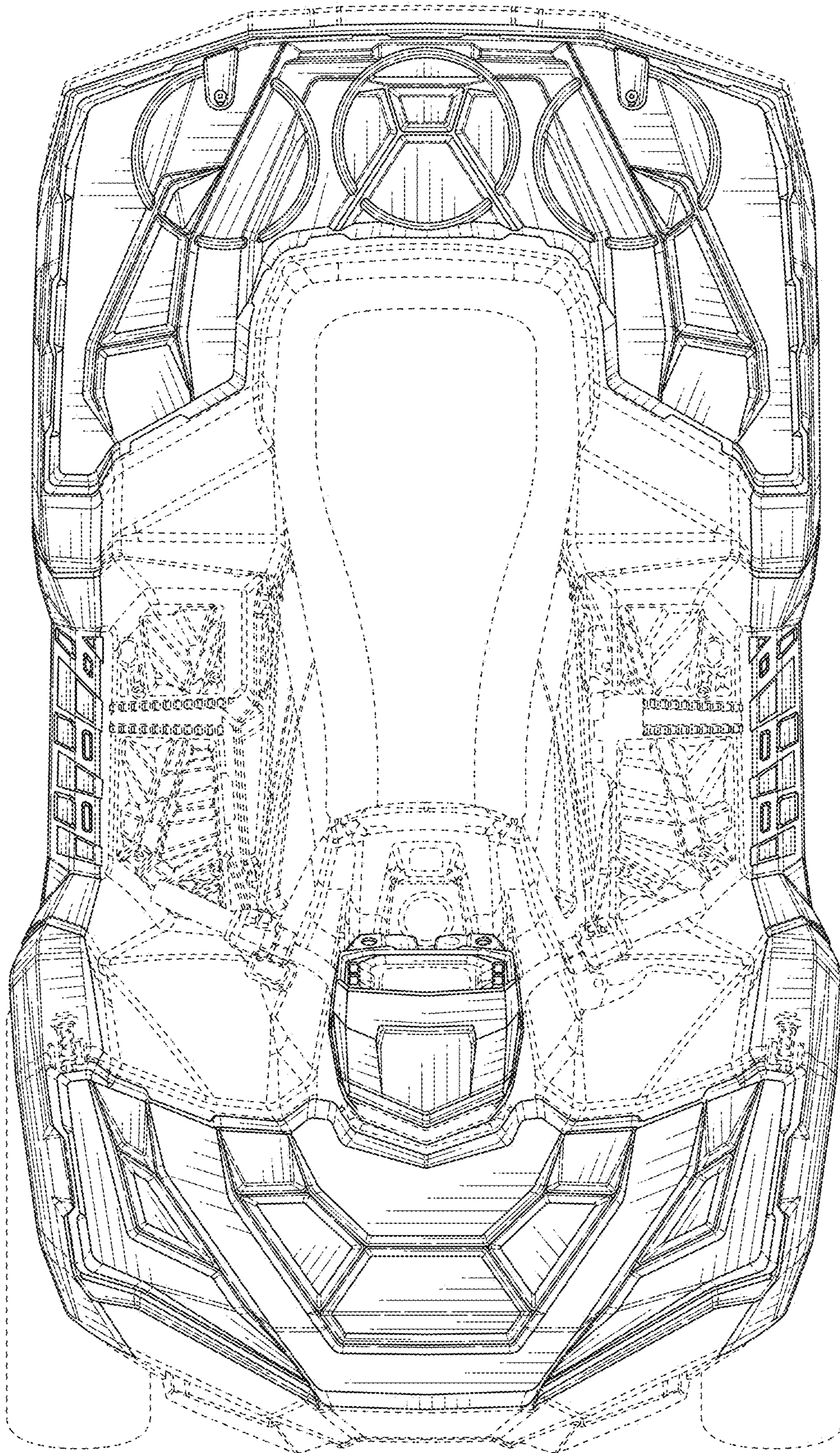


FIG. 6