



US00D937709S

(12) **United States Design Patent**
Manzoni

(10) **Patent No.:** **US D937,709 S**

(45) **Date of Patent:** **** Dec. 7, 2021**

(54) **TOY CAR**

(71) Applicant: **FERRARI S.p.A.**, Modena (IT)

(72) Inventor: **Flavio Manzoni**, Modena (IT)

(73) Assignee: **FERRARI S.p.A.**, Modena (IT)

(**) Term: **15 Years**

(21) Appl. No.: **35/509,842**

(22) Filed: **Jan. 22, 2020**

(80) **Hague Agreement Data**

Int. Filing Date: **Jan. 22, 2020**

Int. Reg. No.: **DM/206349**

Int. Reg. Date: **Jan. 22, 2020**

Int. Reg. Pub. Date: **Jul. 24, 2020**

(30) **Foreign Application Priority Data**

Jul. 22, 2019 (EM) EM006638292

(51) **LOC (13) Cl.** **12-08**

(52) **U.S. Cl.**
USPC **D12/92**

(58) **Field of Classification Search**
USPC D12/86, 90, 91, 92, 98; D21/424, 433,
D21/434
CPC B62D 25/00; B62D 25/06; B62D 33/00;
B62D 35/00
See application file for complete search history.

(56) **References Cited**

U.S. PATENT DOCUMENTS

D680,030 S * 4/2013 Rodriguez D12/92
D703,585 S * 4/2014 Scheinhutte D12/92
D710,260 S * 8/2014 Villarreal D12/92
9,073,410 B2 * 7/2015 Bruant B60J 7/028

D738,259 S * 9/2015 Ohnuma D12/92
D763,737 S * 8/2016 Varga D12/92
D786,134 S * 5/2017 Varga D12/92
D790,405 S * 6/2017 Christensen D12/92
9,725,020 B2 * 8/2017 Fainello B60N 2/882
D796,998 S * 9/2017 Christensen D12/92
D797,606 S * 9/2017 Oh D12/92
D808,302 S * 1/2018 Oh D12/92
D809,971 S * 2/2018 Lee D12/92
D809,972 S * 2/2018 Fisker D12/92
D825,388 S * 8/2018 Karras D12/92
D831,542 S * 10/2018 Russo D12/92
D836,031 S * 12/2018 Lim D12/92
D840,874 S * 2/2019 Fisker D12/92
D845,174 S * 4/2019 Iwao D12/92
D847,028 S * 4/2019 Loeb D12/92

OTHER PUBLICATIONS

Nick D. "The Top-25 Greatest Convertible Ferrari's Ever Mad." Supercars.net., Aug. 9, 2018 [online], [retrieved on Jul. 22, 2021]. Retrieved from the Internet <URL: <https://www.supercars.net/blog/greatest-convertible-open-top-ferraris-ever-made/>>.*

(Continued)

Primary Examiner — Darlington Ly

(74) *Attorney, Agent, or Firm* — Cowan, Liebowitz & Latman, P.C.; Anastasia Zhadina

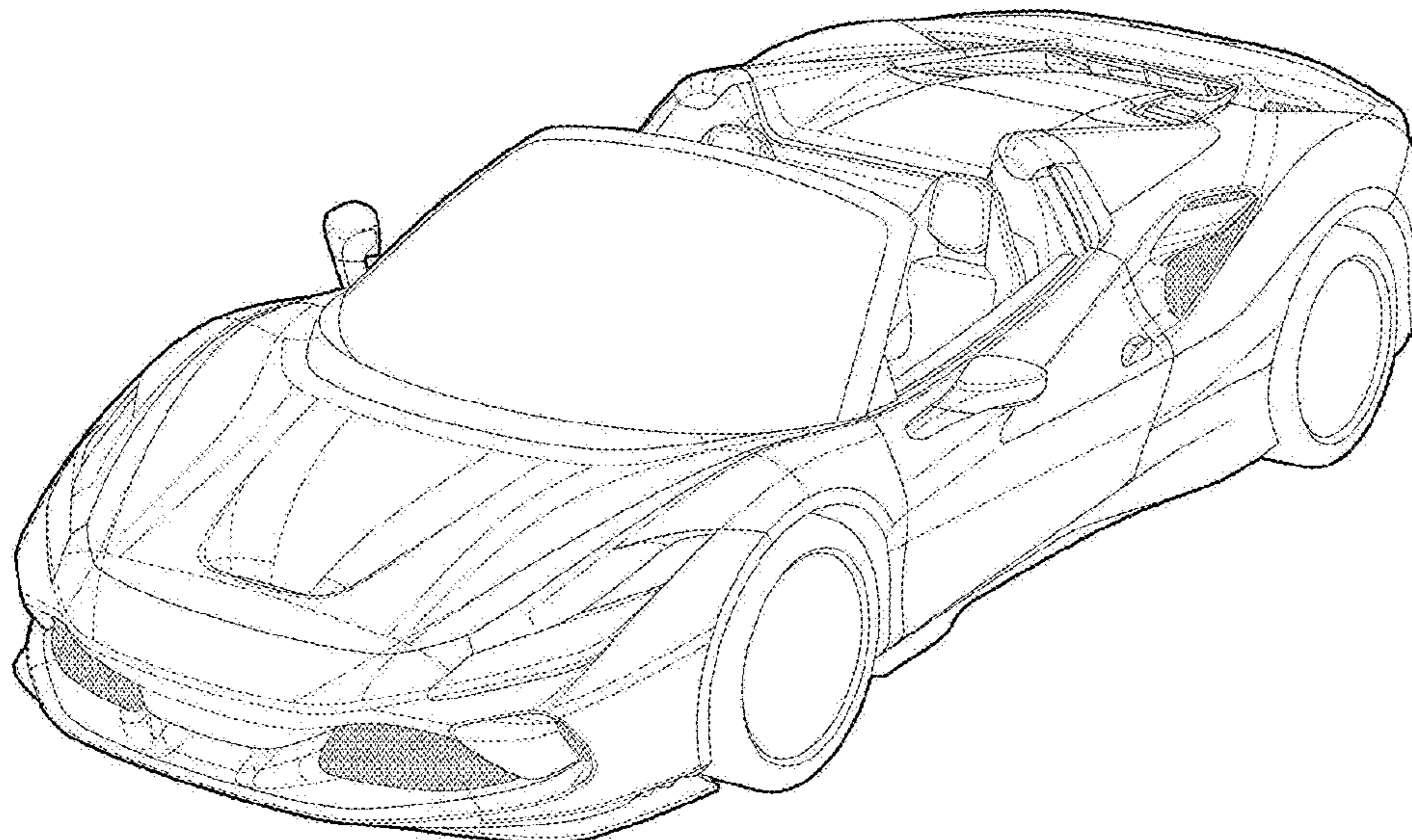
(57) **CLAIM**

The ornamental design for a toy car, as shown and described.

DESCRIPTION

- 1. Toy car
- 1.1 is a top, front, and left side perspective view of a toy car embodying my new design;
- 1.2 is a top, rear, and right side perspective view thereof;
- 1.3 is a front elevation view thereof;
- 1.4 is a rear elevation view thereof;
- 1.5 is a left side elevation view thereof; and
- 1.6 is a top plan view thereof.

1 Claim, 6 Drawing Sheets



(56)

References Cited

OTHER PUBLICATIONS

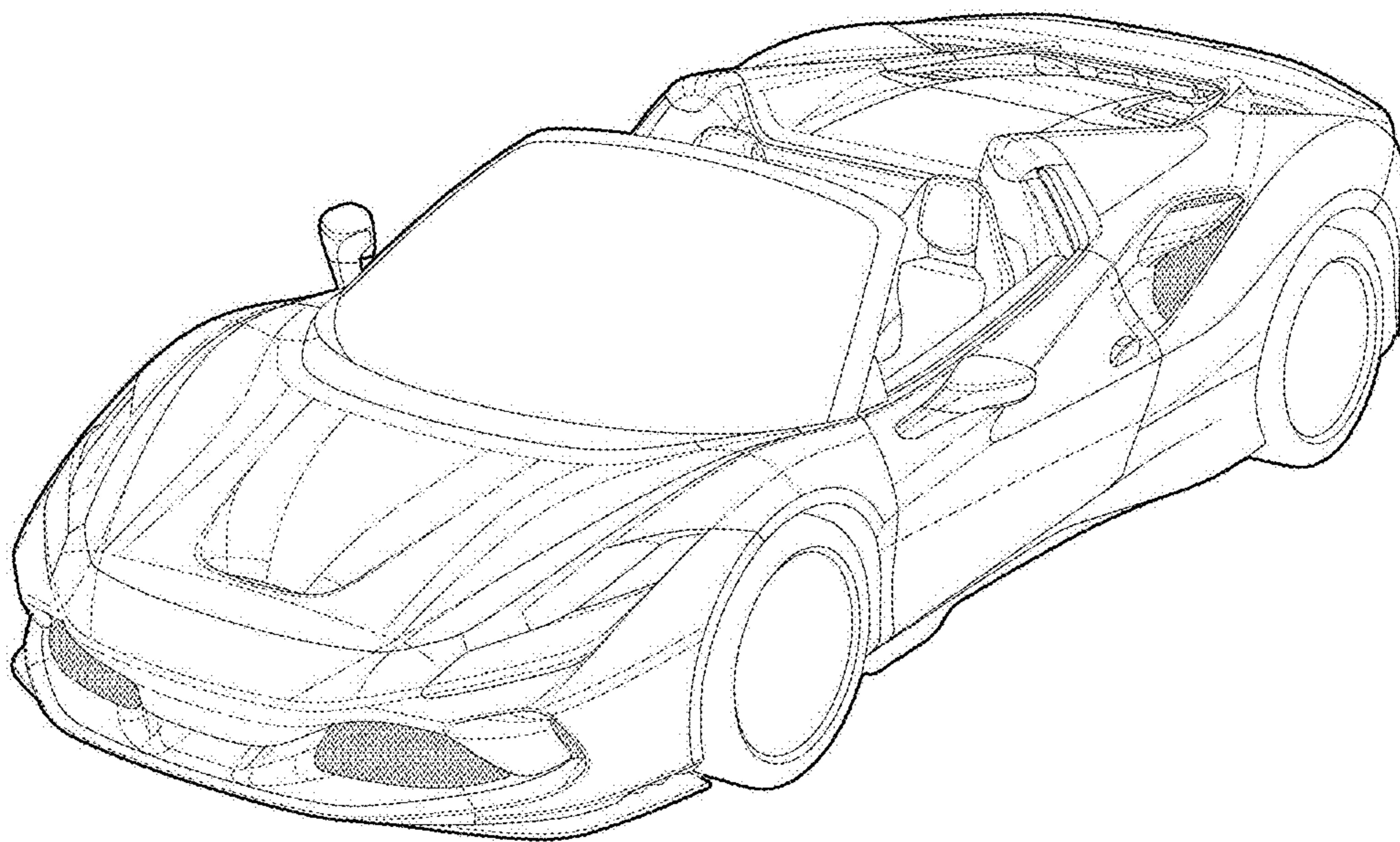
Clifford Atiyeh. "2019 Ferrari 488 Pista Spider Offers 710 HP without a Roof." *Car and Driver*, Sep. 4, 2018 [online], [retrieved on Jul. 22, 2021]. Retrieved from the Internet <URL: <https://www.caranddriver.com/news/a22865625/2019-ferrari-488-pista-spider-supercar-photos-info/>>.*

Peter Jones. "Which Ferraris Are Convertible? 6 Models (With Pictures)." *Motor and Wheels*, Dec. 30, 2019 [online], [retrieved on Jul. 22, 2021]. Retrieved from the Internet <URL: <https://motorandwheels.com/which-ferraris-are-convertible/>>.*

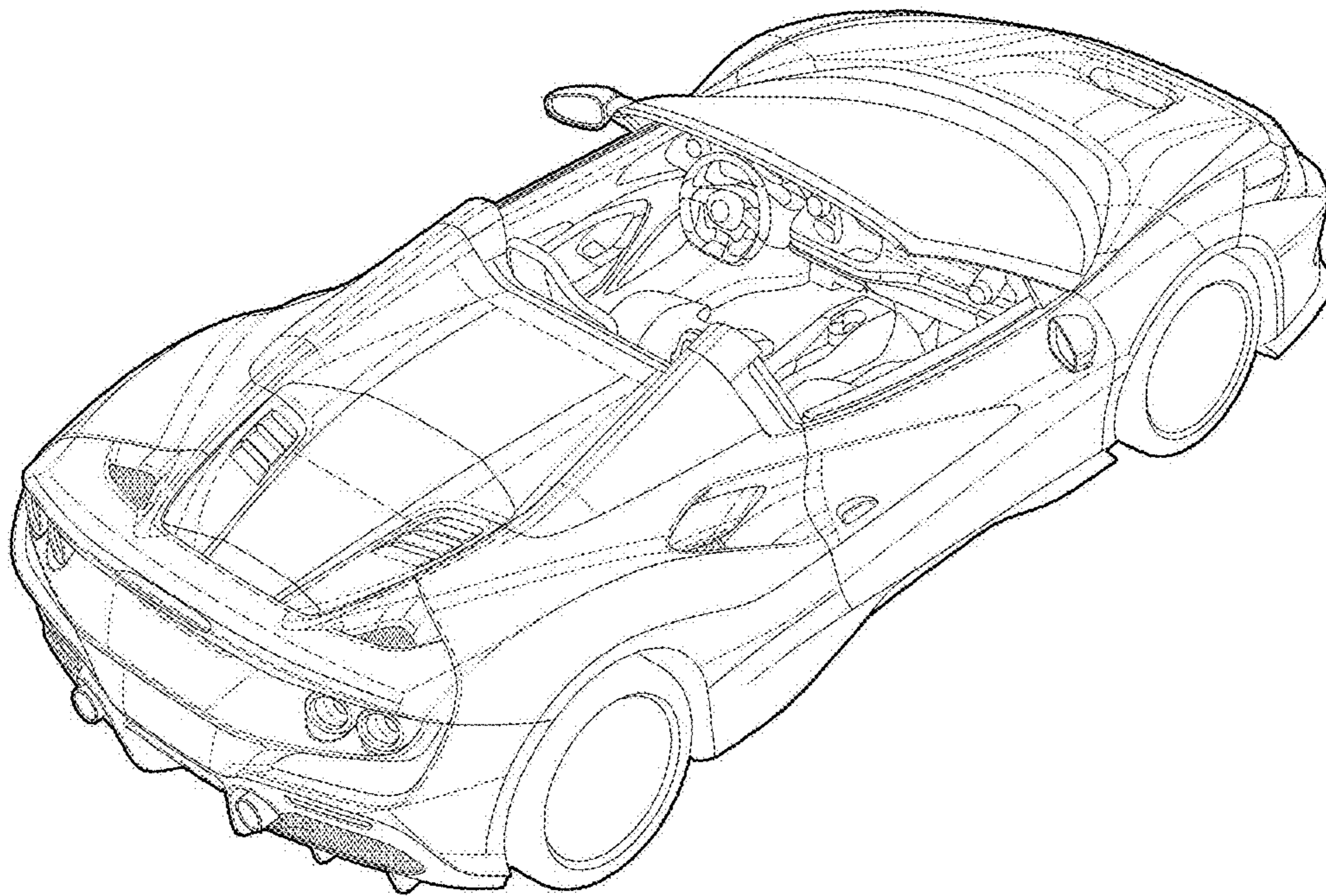
Peter Valdes-Dapena. "I hate to say it, but Ferrari's new convertible is worth every penny." *CNN Business*, Sep. 19, 2019 [online], [retrieved on Jul. 22, 2021]. Retrieved from the Internet <URL: <https://www.cnn.com/2020/09/19/success/ferrari-f8-spider-convertible-review/index.html>>.*

* cited by examiner

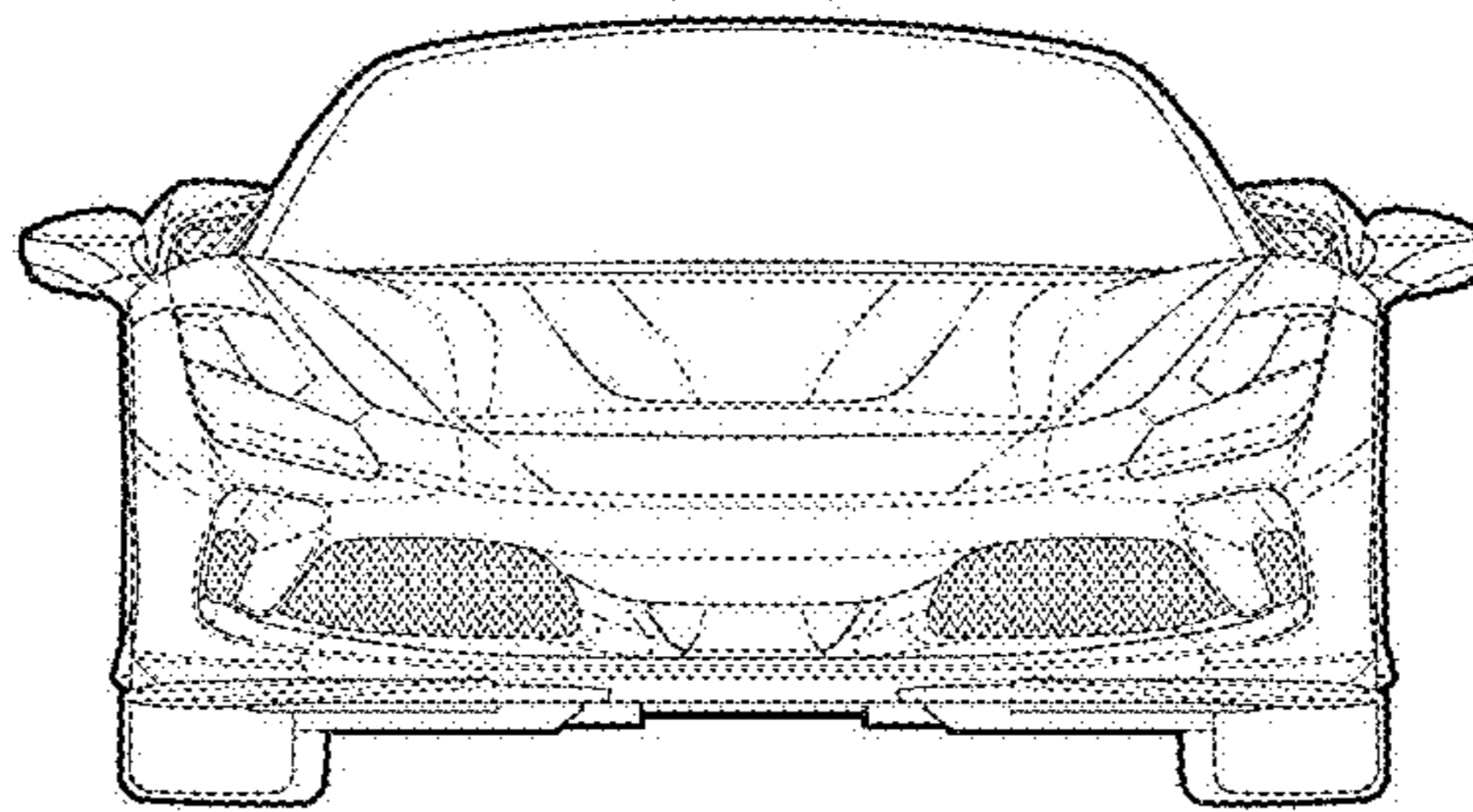
1.1



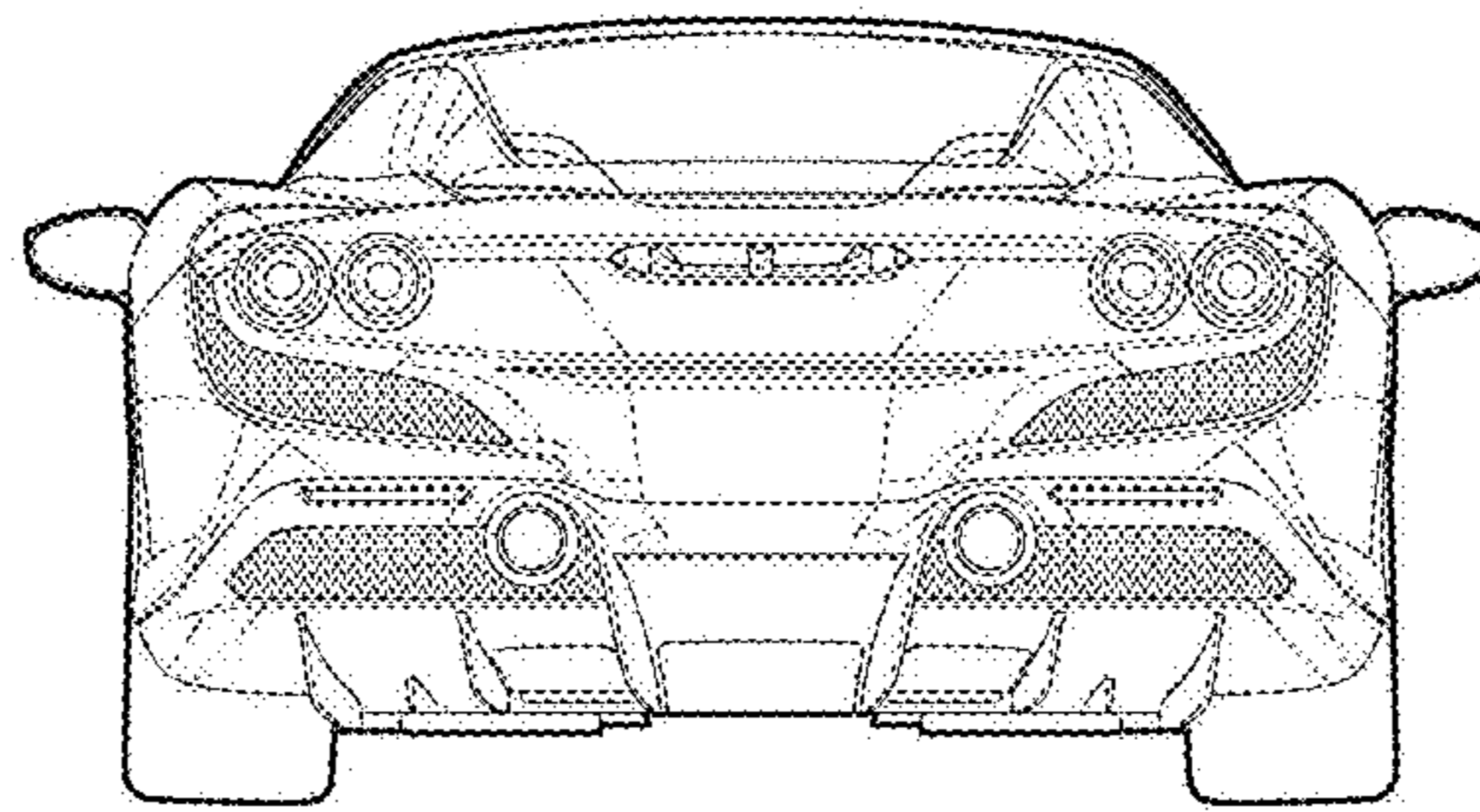
1.2



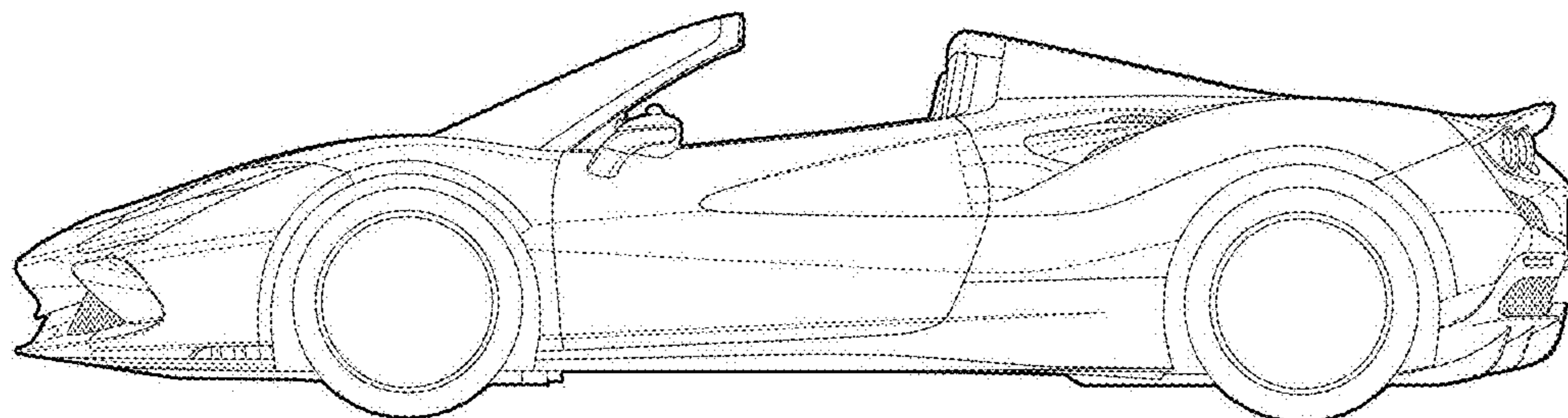
1.3



1.4



1.5



1.6

