



US00D937706S

(12) **United States Design Patent**  
**Guerrero, II**

(10) **Patent No.:** **US D937,706 S**

(45) **Date of Patent:** **\*\* Dec. 7, 2021**

- (54) **PRESSED COIN FRAME**
- (71) Applicant: **Alberto Guerrero, II**, Coppell, TX  
(US)
- (72) Inventor: **Alberto Guerrero, II**, Coppell, TX  
(US)
- (\*\*) Term: **15 Years**
- (21) Appl. No.: **29/723,200**
- (22) Filed: **Feb. 5, 2020**
- (51) **LOC (13) Cl.** ..... **11-02**
- (52) **U.S. Cl.**  
USPC ..... **D11/132; D6/309**
- (58) **Field of Classification Search**  
USPC ..... D11/131–133, 140, 157, 184; D6/300,  
D6/303, 309–311; D99/34  
CPC .. A47G 1/12; A47G 1/0616; A45C 2001/104;  
G07D 9/002  
See application file for complete search history.

5,884,755	A *	3/1999	Vaccarella	.....	A47G 1/12	206/0.84
D409,094	S *	5/1999	Young	.....	D10/2	
D416,509	S *	11/1999	O'Meara	.....	D11/71	
D424,949	S *	5/2000	Young	.....	D10/2	
D430,494	S *	9/2000	Young	.....	D10/2	
D441,661	S *	5/2001	Young	.....	D10/2	
D443,830	S *	6/2001	Young	.....	D10/2	
D447,332	S *	9/2001	Pisarevsky	.....	D3/207	
6,510,631	B1 *	1/2003	Baggarly	.....	A47G 1/0616	206/0.84
D485,045	S *	1/2004	Davis, Jr.	.....	D99/34	
D493,938	S *	8/2004	Baumhogger	.....	D99/34	
D532,996	S *	12/2006	Wolfkill	.....	D6/676	
D570,075	S *	5/2008	Wood	.....	D99/34	
D571,108	S *	6/2008	Slabaugh	.....	D6/310	
D685,668	S *	7/2013	Guerrero, II	.....	D11/79	
D688,968	S *	9/2013	Guerrero, II	.....	D11/3	
D856,145	S *	8/2019	Trachtenberg	.....	D9/456	
2004/0245122	A1 *	12/2004	Newenham	.....	A45C 1/10	206/0.8

(Continued)

*Primary Examiner* — W. A. Teddy Falloway  
(74) *Attorney, Agent, or Firm* — Michael Diaz

(56) **References Cited**

U.S. PATENT DOCUMENTS

1,836,035	A *	12/1931	Matys	.....	A47G 1/143	40/735
2,675,171	A *	4/1954	Long	.....	B65D 27/00	229/92.9
2,998,126	A *	8/1961	Jenkins	.....	A47G 1/12	206/0.83
D231,239	S *	4/1974	Palumbo, Jr.	.....	D11/140	
D247,792	S *	4/1978	Matay	.....	D18/6	
D259,163	S *	5/1981	Leard	.....	D6/302	
D267,791	S *	2/1983	Clark	.....	D11/137	
4,524,867	A *	6/1985	Klein	.....	A45C 15/00	190/110
D284,803	S *	7/1986	Povitz	.....	D99/34	
D295,390	S *	4/1988	Maddox	.....	D11/133	
D332,684	S *	1/1993	Melamed	.....	D99/34	
D357,588	S *	4/1995	Fachinger	.....	D6/302	

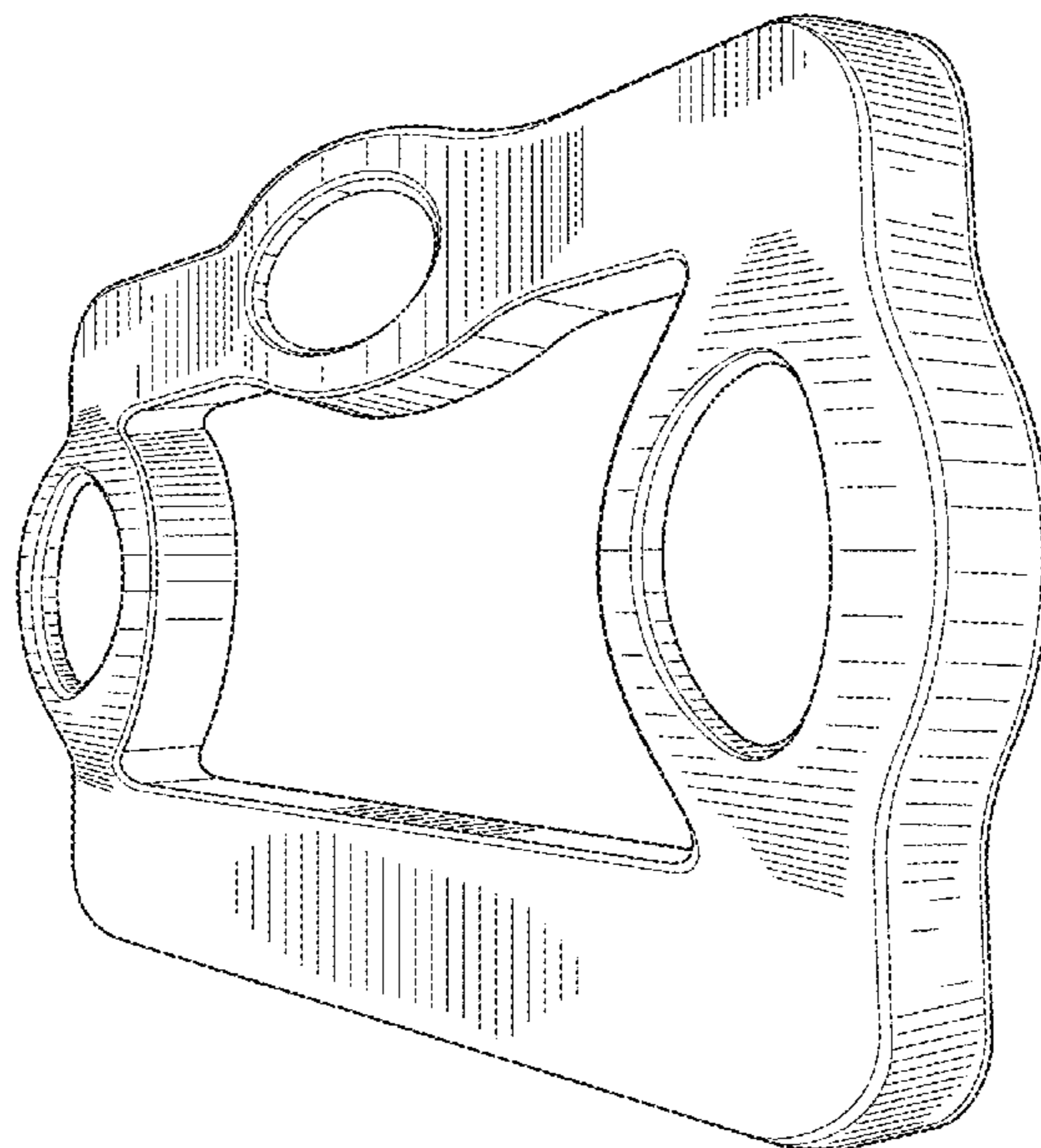
(57) **CLAIM**

The ornamental design for a pressed coin frame, substantially as shown and described.

**DESCRIPTION**

FIG. 1 is a perspective view of the pressed coin frame; FIG. 2 is a front view of the pressed coin frame; FIG. 3 is a back view of the pressed coin frame; FIG. 4 is a side view of the pressed coin frame; FIG. 5 is an opposite side view of the pressed coin frame; FIG. 6 is a top view of the pressed coin frame; and, FIG. 7 is a bottom view of the pressed coin frame. The broken lines illustrate environmental structure and form no part of the claimed design.

**1 Claim, 4 Drawing Sheets**



(56)

**References Cited**

U.S. PATENT DOCUMENTS

2012/0234043 A1 \* 9/2012 Guerrero, II ..... A44C 25/002  
63/13

\* cited by examiner

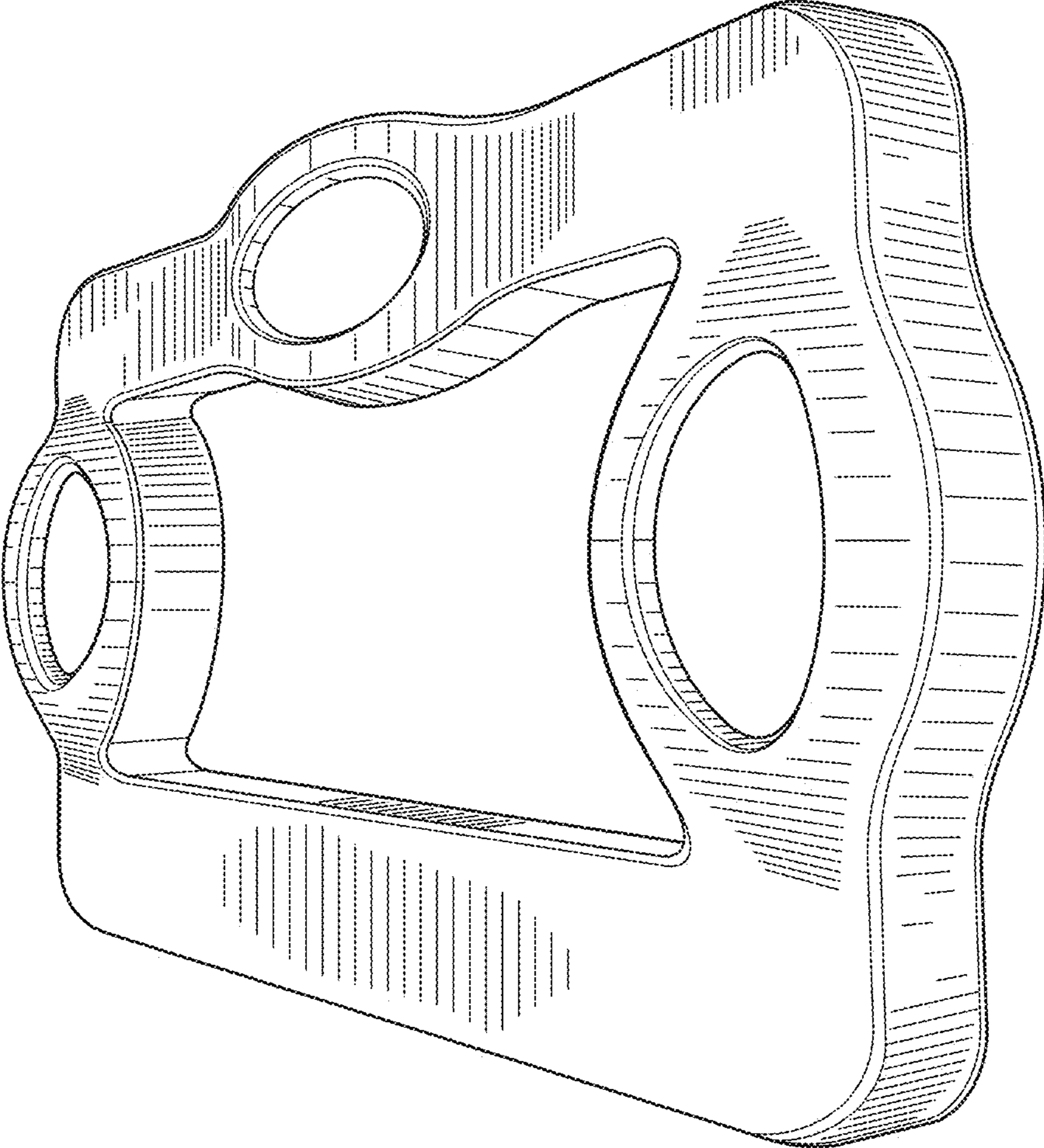


FIG. 1

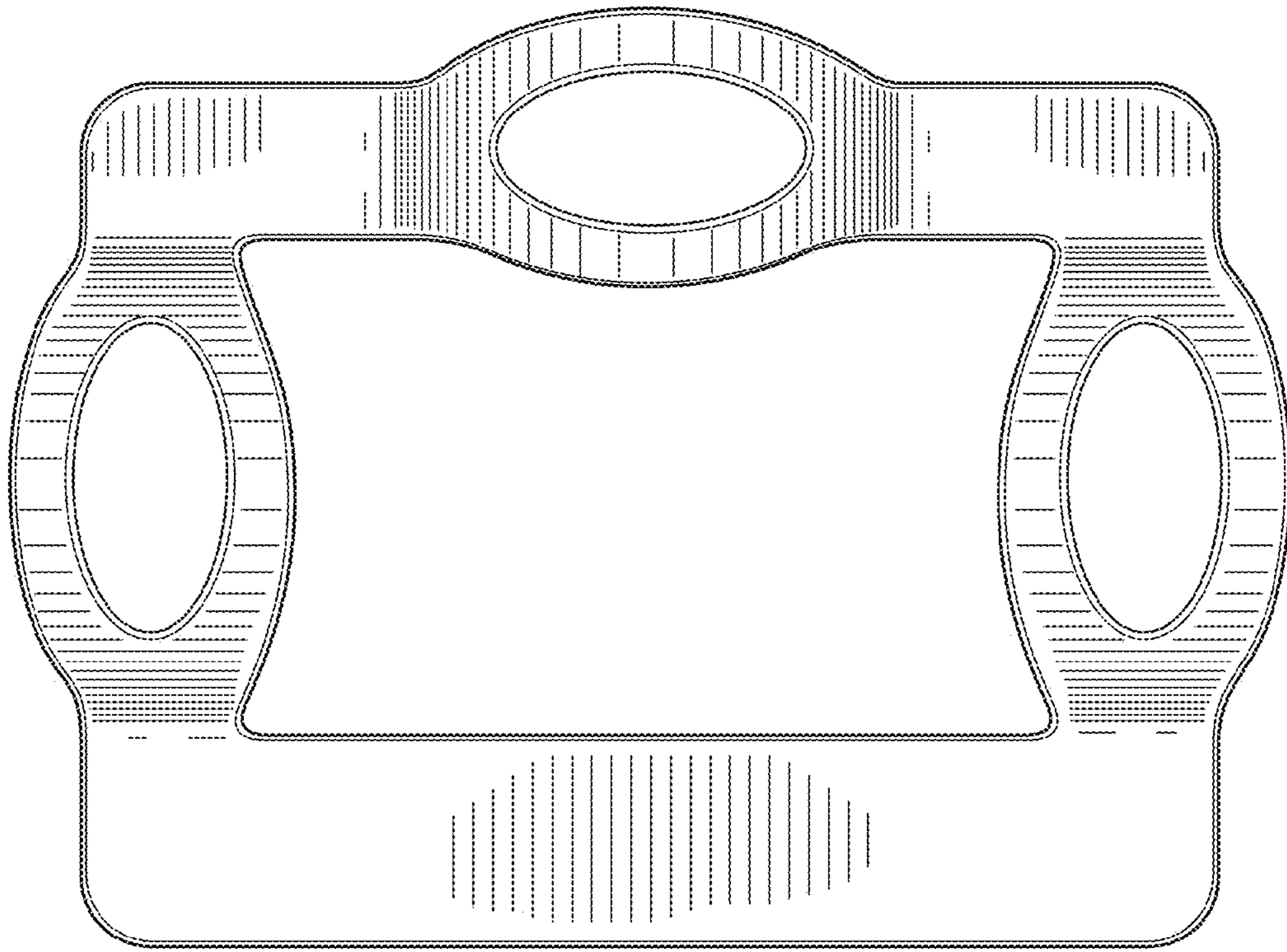


FIG. 2

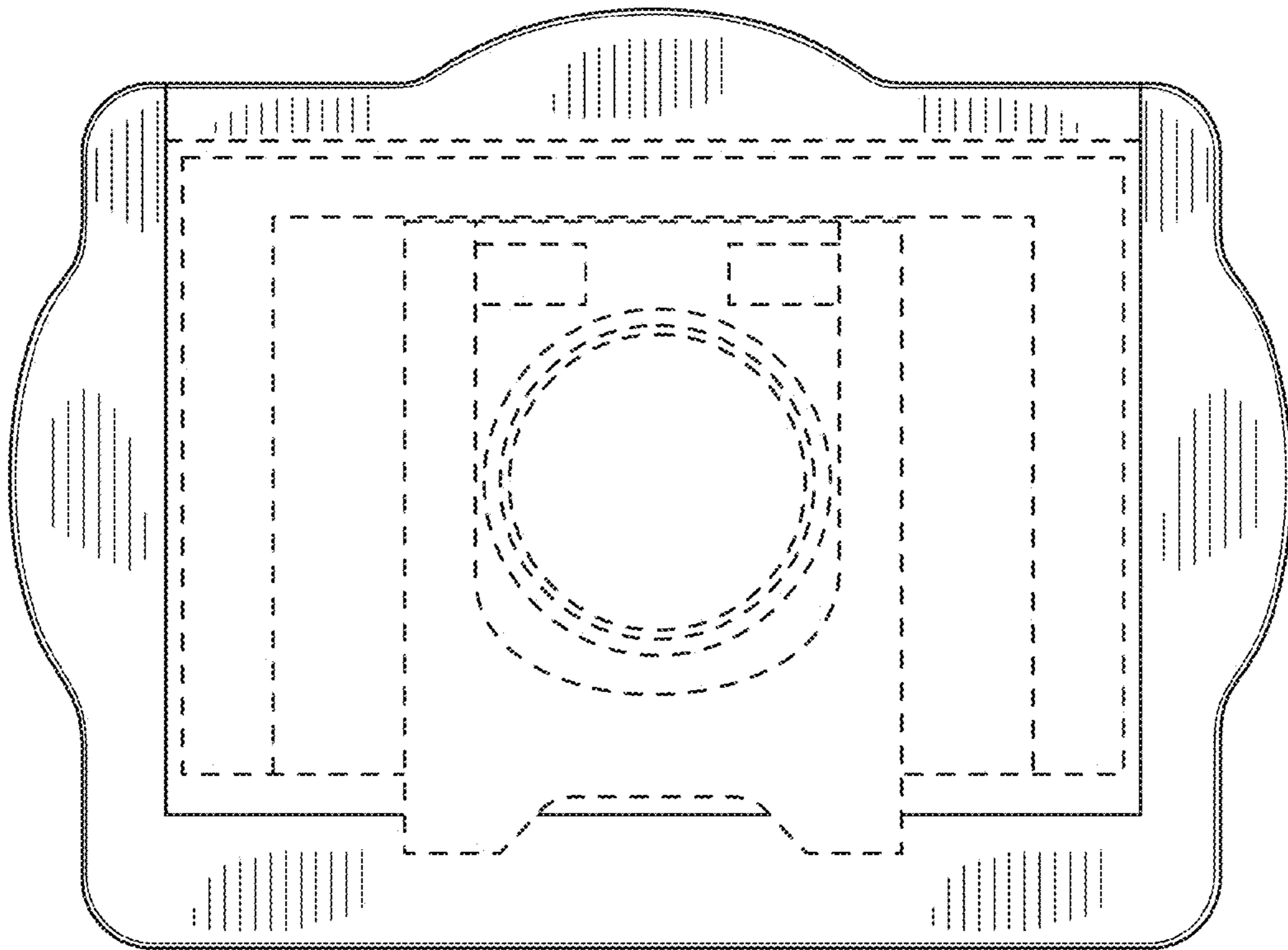


FIG. 3

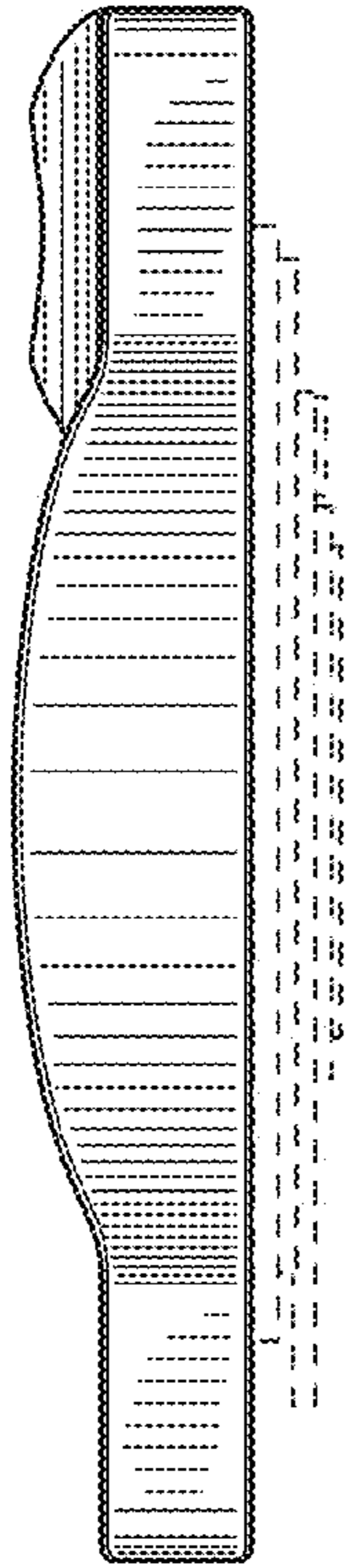


FIG. 4

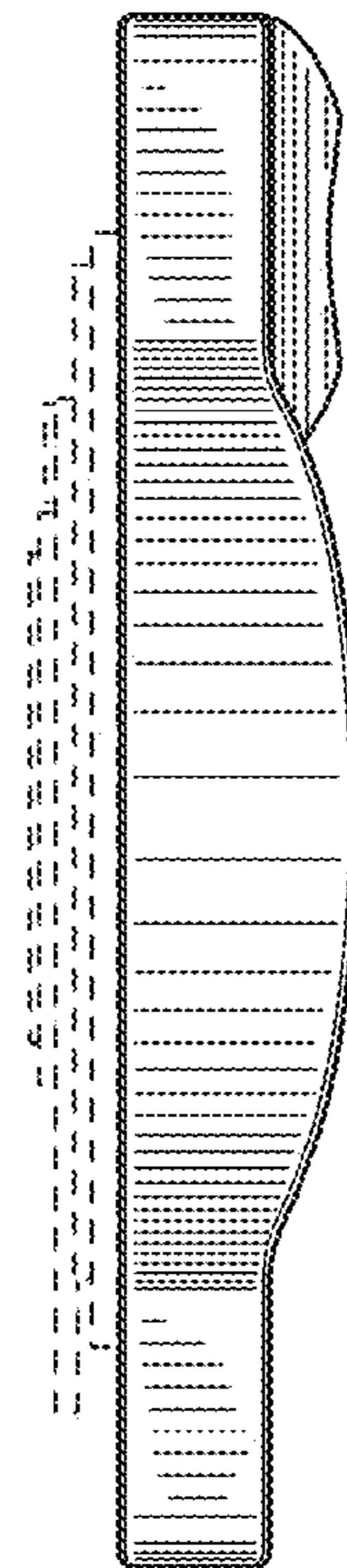
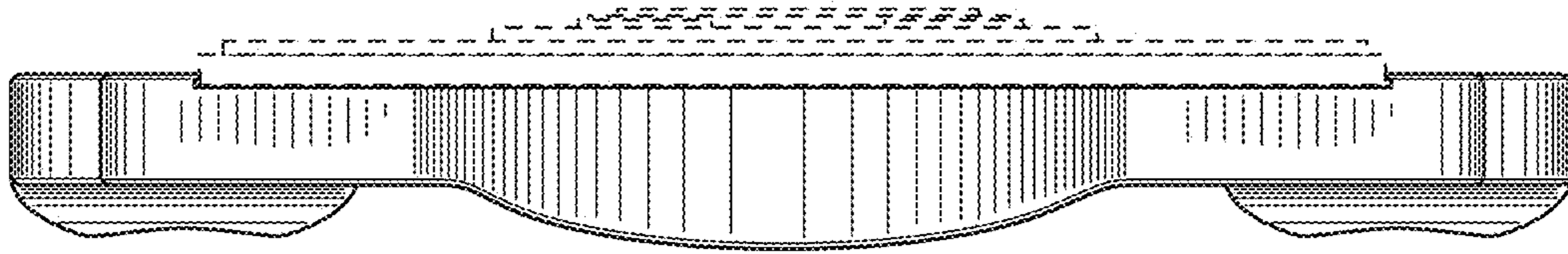
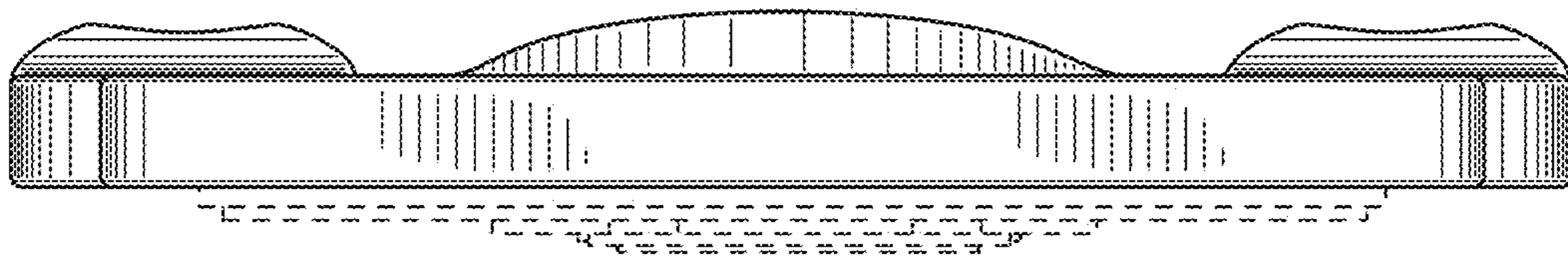


FIG. 5



*FIG. 6*



*FIG. 7*