



US00D937704S

(12) **United States Design Patent** (10) **Patent No.:** **US D937,704 S**  
**Lam** (45) **Date of Patent:** **\*\* Dec. 7, 2021**

(54) **RING**  
(71) Applicant: **Heung Kei Cleo Lam**, Hong Kong (CN)  
(72) Inventor: **Heung Kei Cleo Lam**, Hong Kong (CN)  
(\*\*) Term: **15 Years**  
(21) Appl. No.: **29/649,966**  
(22) Filed: **Jun. 4, 2018**

D163,067 S \* 4/1951 Redmond ..... D11/26  
D170,527 S \* 10/1953 Del Mas ..... D11/2  
D180,624 S \* 7/1957 Souter ..... D10/62  
D249,780 S \* 10/1978 Gonzalez ..... D11/30  
D258,579 S \* 3/1981 Kelman ..... D11/35  
D329,991 S \* 10/1992 Gonzalez ..... D11/30  
D332,236 S \* 1/1993 Jakeway ..... D11/26  
D372,682 S \* 8/1996 Roemer ..... D11/34  
D383,410 S \* 9/1997 Roemer ..... D11/26  
D404,331 S \* 1/1999 Seibel ..... D11/26  
D420,617 S \* 2/2000 Mestrum ..... D11/26  
D742,273 S \* 11/2015 Liberman ..... D11/4  
D781,850 S \* 3/2017 Tago ..... D14/344  
D781,851 S \* 3/2017 Tago ..... D14/344  
D844,599 S \* 4/2019 Stipancik ..... D14/344

(30) **Foreign Application Priority Data**

Dec. 5, 2017 (HK) ..... 1702397.1

(51) **LOC (13) Cl.** ..... **11-01**

(52) **U.S. Cl.**  
USPC ..... **D11/34**

(58) **Field of Classification Search**  
USPC ..... D11/1, 2, 3, 4, 26-39  
CPC ..... A44C 5/00; A44C 5/0007; A44C 5/0015;  
A44C 5/0023; A44C 5/003; A44C  
5/0038; A44C 5/0046; A44C 5/0053;  
A44C 5/0061; A44C 5/0084; A44C  
5/0092; A44C 9/00; A44C 9/0007; A44C  
9/0015; A44C 9/0023; A44C 9/003; A44C  
9/0038; A44C 9/0046; A44C 9/0053;  
A44C 9/0061; A44C 9/0069; A44C  
9/0076; A44C 9/0092; A44C 9/02  
See application file for complete search history.

(56) **References Cited**

**U.S. PATENT DOCUMENTS**

D64,849 S \* 6/1924 Granat ..... D11/37  
D71,500 S \* 11/1926 Pejchar ..... D11/32

**OTHER PUBLICATIONS**

[Online] "Triple Faced" <http://www.cleolam.com/product/triple/>. Retrieved Jul. 16, 2021.\*

\* cited by examiner

*Primary Examiner* — Melanie Pellegrini

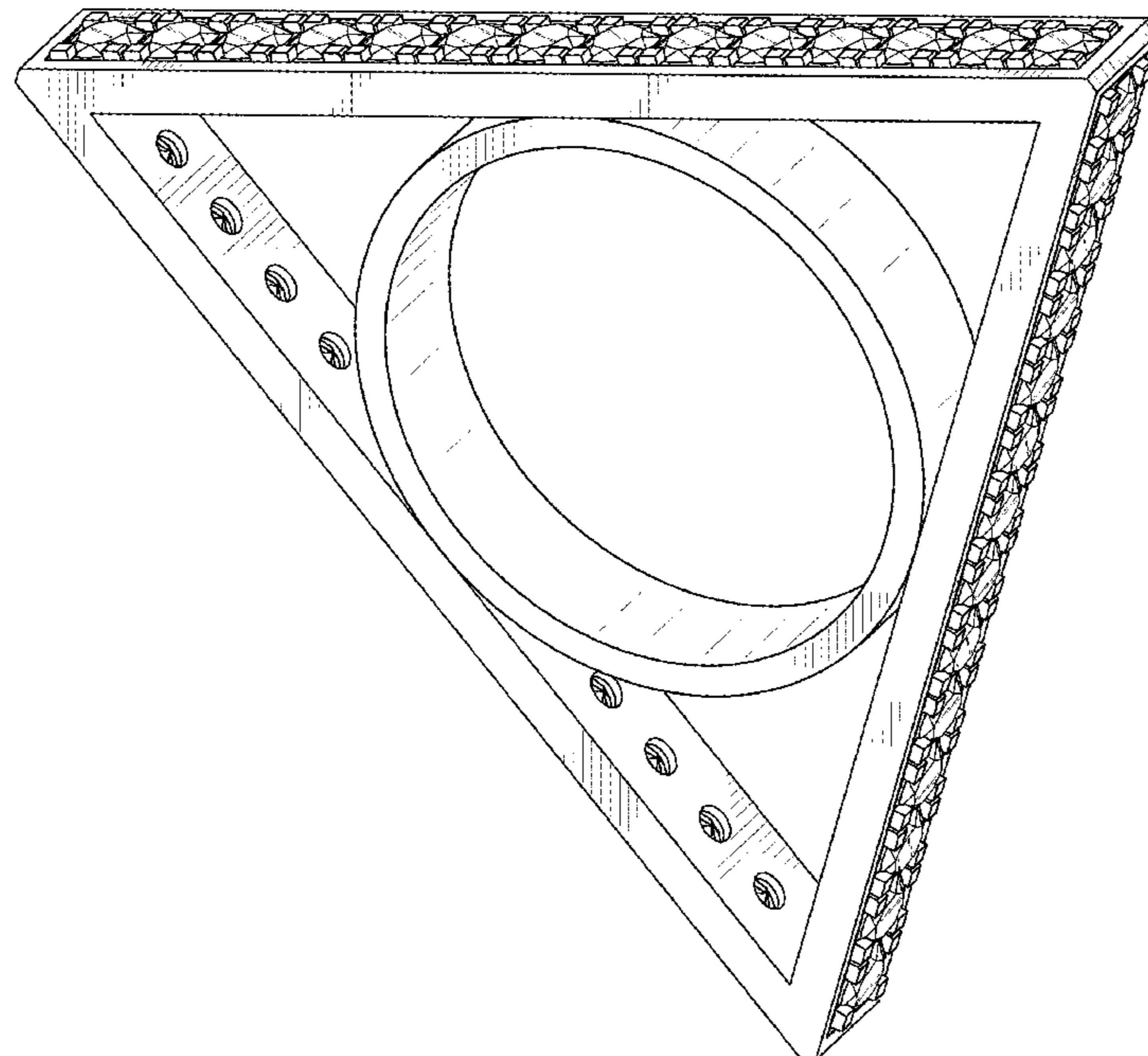
(57) **CLAIM**

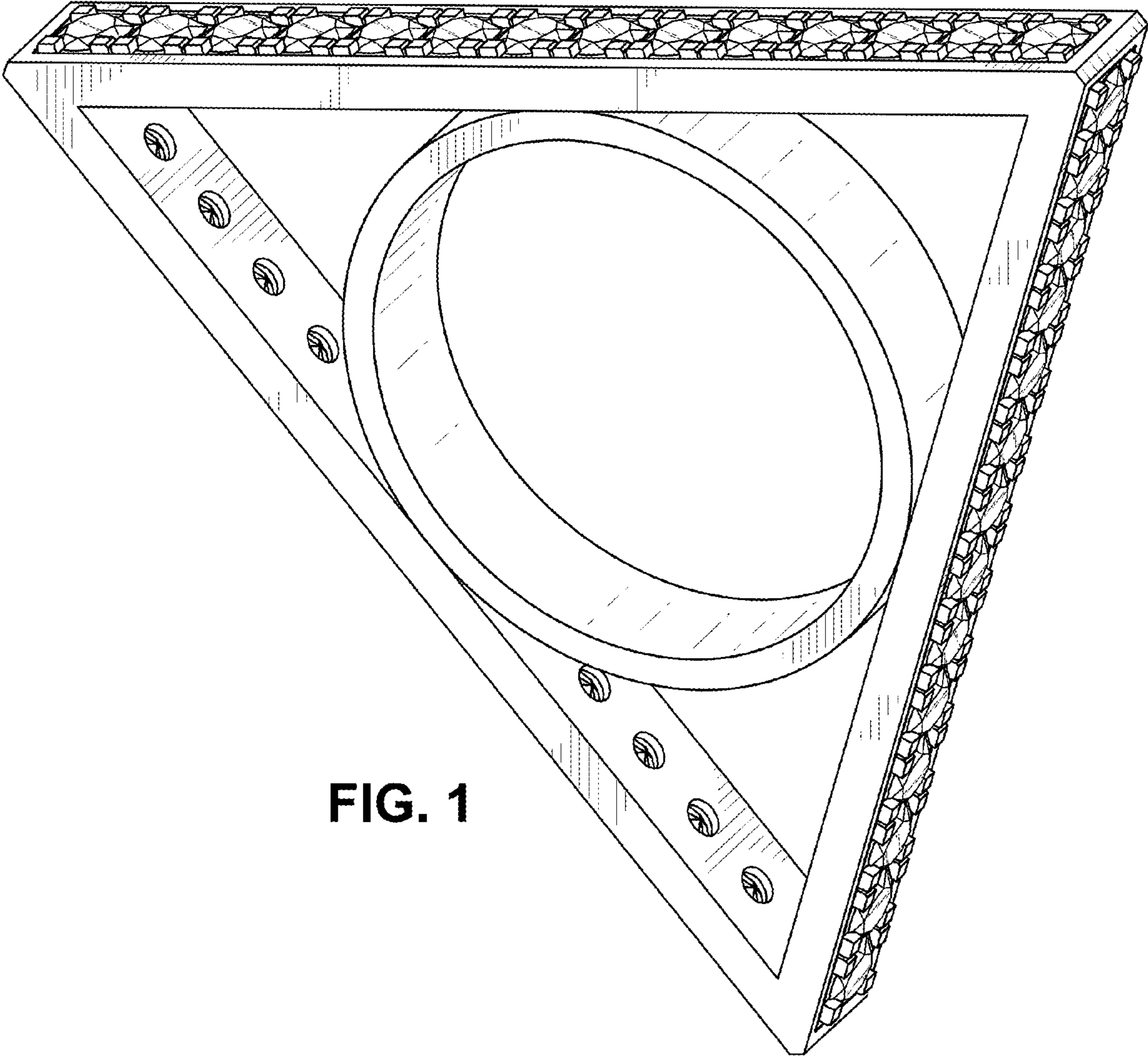
The ornamental design for a ring, as shown and described.

**DESCRIPTION**

FIG. 1 is a top perspective view of a ring of the present disclosure;  
FIG. 2 is a front view thereof;  
FIG. 3 is a rear view thereof;  
FIG. 4 is a first side elevation view thereof;  
FIG. 5 is a second side elevation view thereof opposite the first side elevation;  
FIG. 6 is a top view thereof; and,  
FIG. 7 is a bottom view thereof.

**1 Claim, 7 Drawing Sheets**





**FIG. 1**

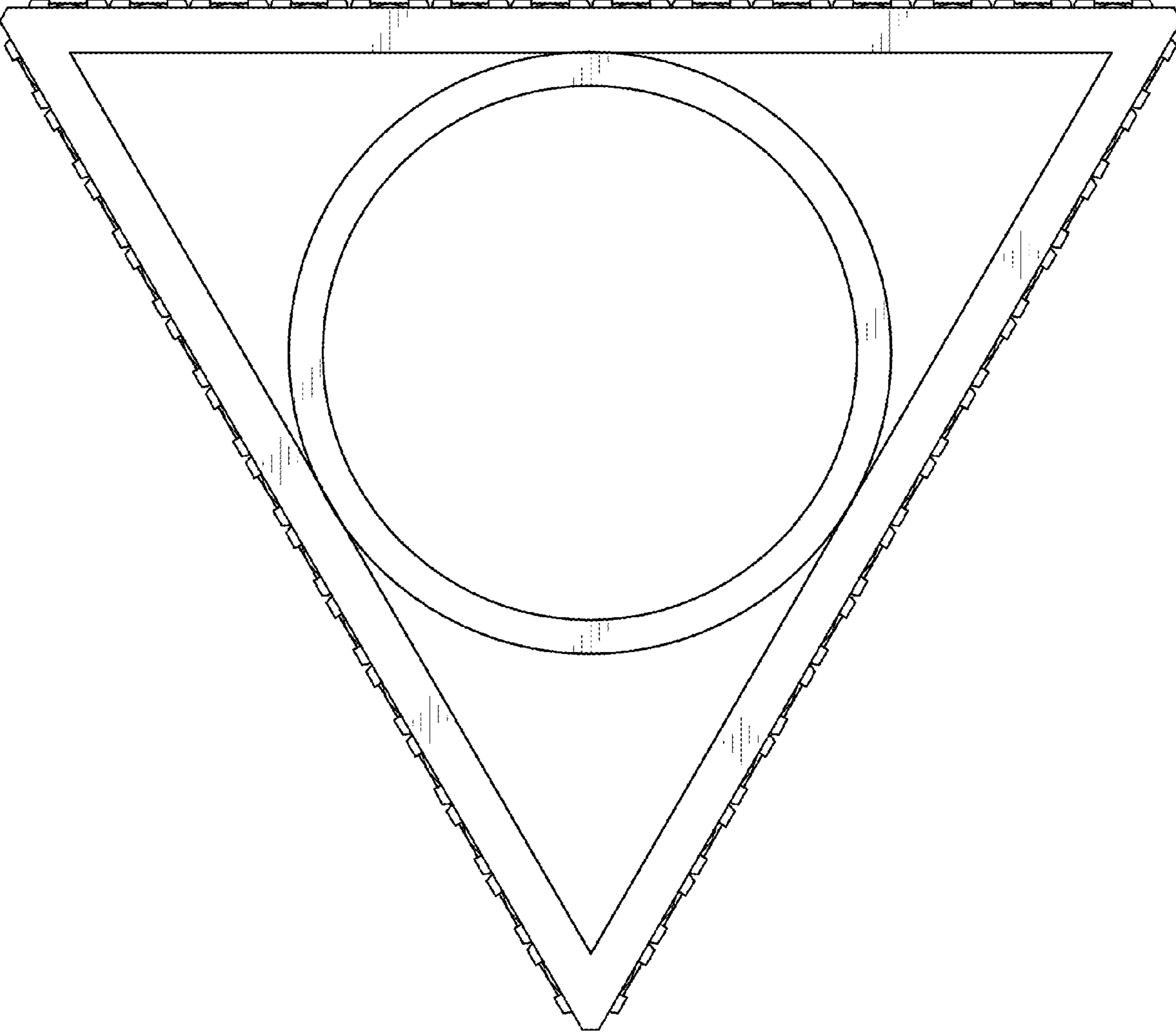


FIG. 2

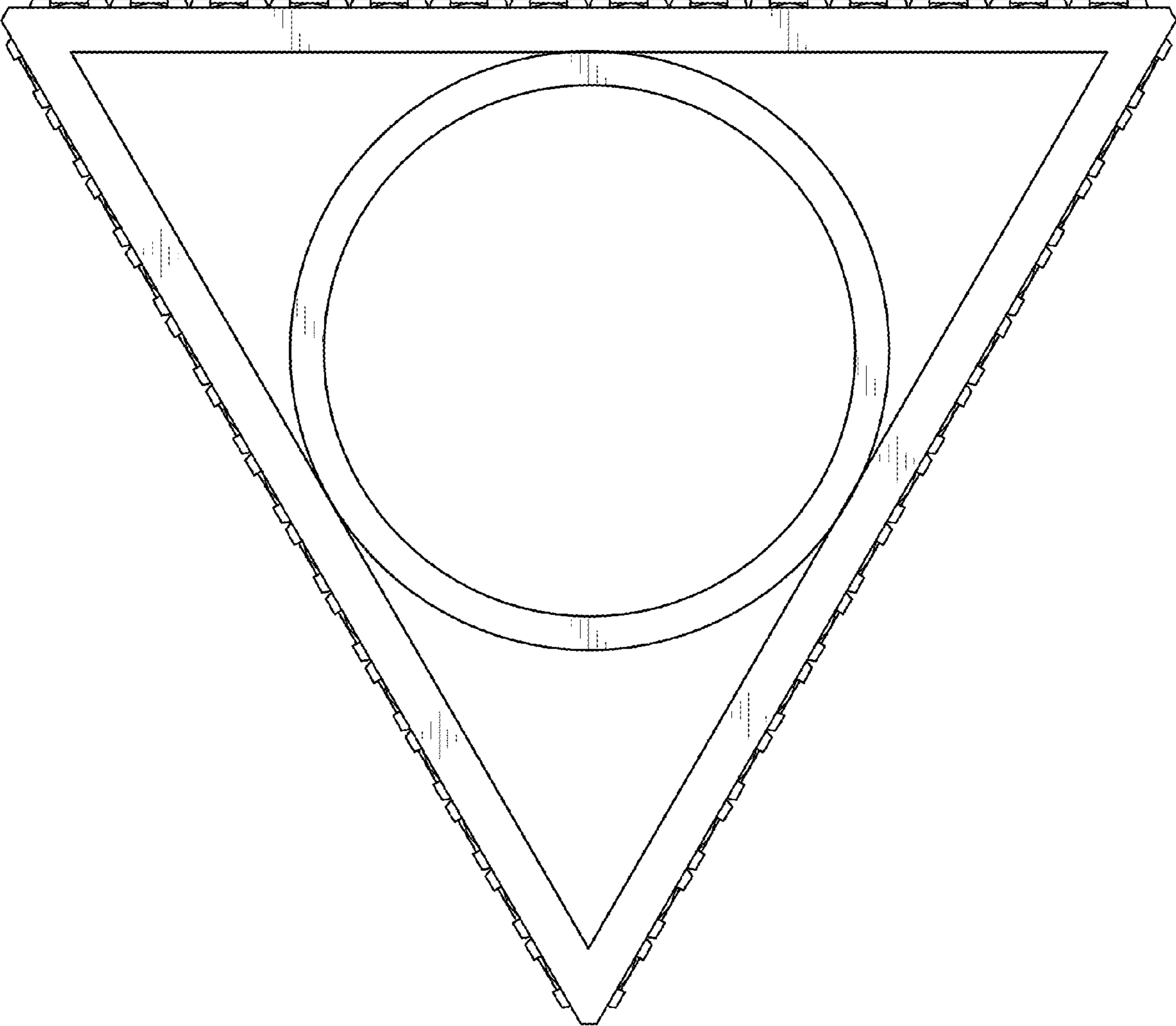
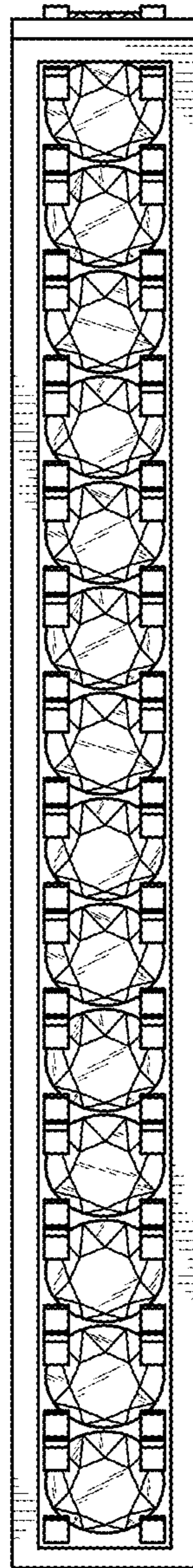
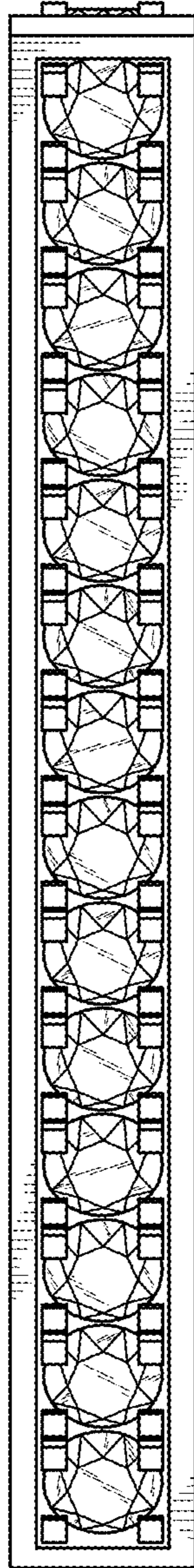


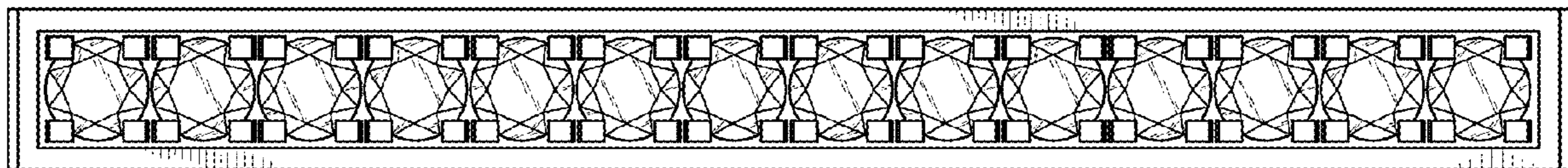
FIG. 3



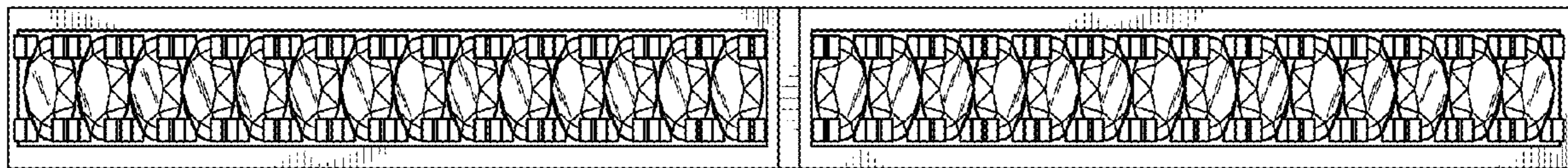
**FIG. 4**



**FIG. 5**



**FIG. 6**



**FIG. 7**