



US00D937700S

(12) **United States Design Patent**
Parrott et al.

(10) **Patent No.:** **US D937,700 S**

(45) **Date of Patent:** **** Dec. 7, 2021**

(54) **CYLINDRICAL LOAD COLLAR FOR A
DELINEATOR SYSTEM**

(71) Applicant: **Impact Recovery Systems, Inc.**, San Antonio, TX (US)

(72) Inventors: **Kenneth Parrott**, Helotes, TX (US);
Gregory L. Hannah, San Antonio, TX (US)

(73) Assignee: **Impact Recovery Systems, Inc.**, San Antonio, TX (US)

(**) Term: **15 Years**

(21) Appl. No.: **29/730,800**

(22) Filed: **Apr. 8, 2020**

(51) **LOC (13) Cl.** **10-05**

(52) **U.S. Cl.**

USPC **D10/113.2**

(58) **Field of Classification Search**

USPC D10/113.2, 113.1

CPC . E01F 9/573; E01F 9/602; E01F 9/627; E01F

9/629; E01F 9/688; E01F 9/654; E01F

13/028; E01F 13/065; E01F 13/042; E01F

13/04; E01F 13/02; E01F 13/022; E01F

13/024; E01F 13/026; B63B 21/06

See application file for complete search history.

(56) **References Cited**

U.S. PATENT DOCUMENTS

D207,037 S * 2/1967 Dawson D10/113.2

3,507,477 A * 4/1970 Ivar B66D 1/7405

254/376

D227,173 S * 6/1973 Carter D10/113.2

4,520,998 A * 6/1985 Flaig B66D 5/04

188/185

5,713,694 A * 2/1998 Monda E01F 9/688

116/63 P

(Continued)

OTHER PUBLICATIONS

FlexPost-SM™ Delineator Paddle, available on www.flexpostinc.com, announced Year 2020, site visited Oct. 5, 2021, Internet URL: <https://www.flexpostinc.com/product/delineator-paddle/>. (Year: 2020).*

Primary Examiner — George D. Kirschbaum

Assistant Examiner — Lillian Windham

(57) **CLAIM**

The ornamental design for a cylindrical load collar for a delineator system, as shown and described.

DESCRIPTION

FIG. 1 is a front, top perspective view of a cylindrical load collar for a delineator system of our design.

FIG. 2 is a front, elevation view of a cylindrical load collar for a delineator system of our design.

FIG. 3 is a rear elevation view of a cylindrical load collar for a delineator system of our design.

FIG. 4 is a left side, elevation view of a cylindrical load collar for a delineator system of our design.

FIG. 5 is a right side, elevation view of a cylindrical load collar for a delineator system of our design.

FIG. 6 is a top plan view of a cylindrical load collar for a delineator system of our design.

FIG. 7 is a bottom plan view of a cylindrical load collar for a delineator system of our design.

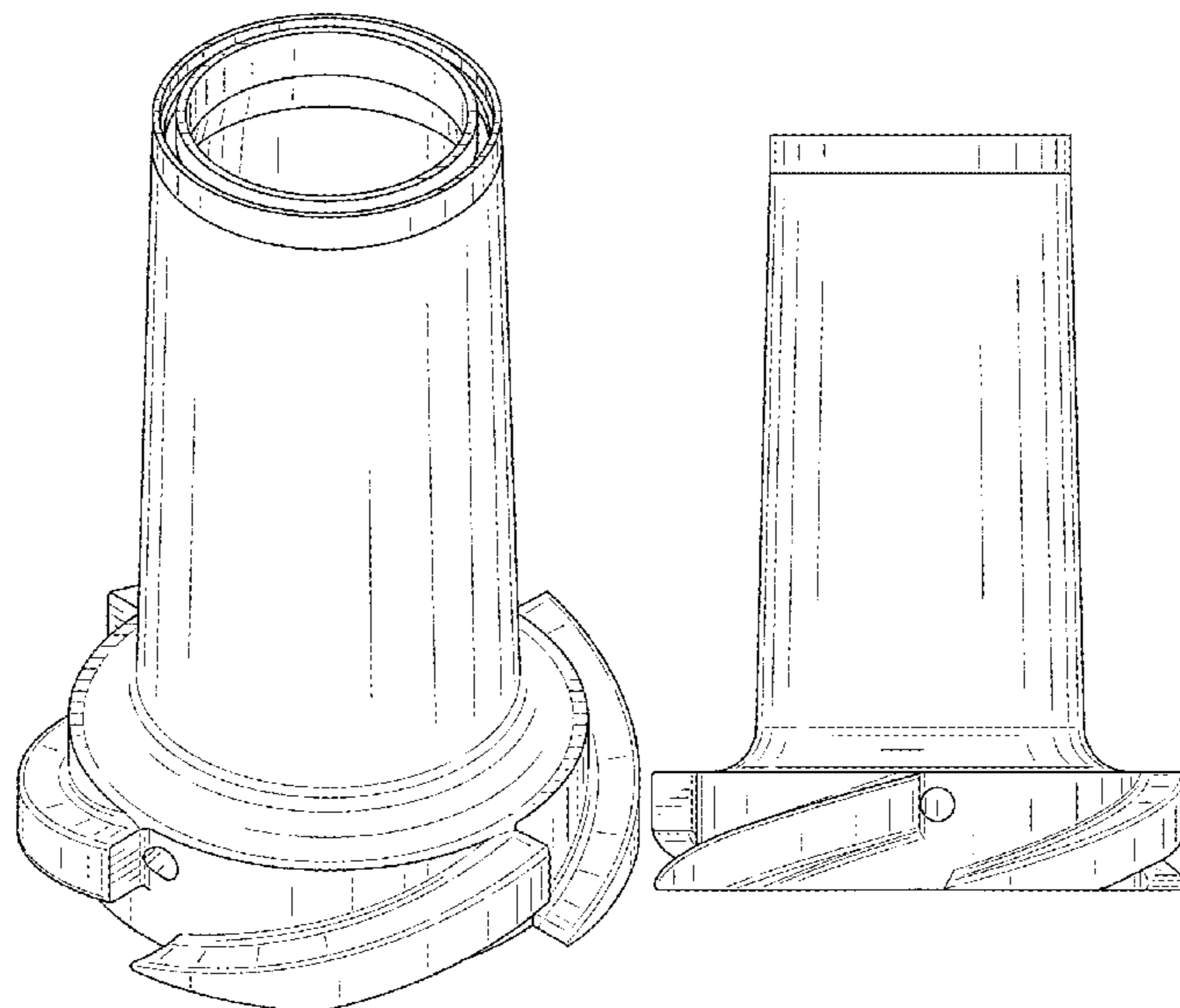
FIG. 8 is a cross section view of a cylindrical load collar for a delineator system of our design taken along line 8-8 of FIG. 6.

FIG. 9 is a front, top perspective view of a cylindrical load collar for a delineator system; and,

FIG. 10 is a front, top perspective view of a cylindrical load collar for a delineator system.

The broken lines shown in FIGS. 9-10 depict unclaimed environmental subject matter.

1 Claim, 7 Drawing Sheets



(56)

References Cited

U.S. PATENT DOCUMENTS

6,981,817 B2 * 1/2006 Braverman E01F 9/688
116/63 C
7,538,688 B1 * 5/2009 Stewart E01F 13/028
116/63 C
2020/0270830 A1 * 8/2020 Parrott E01F 9/681

* cited by examiner

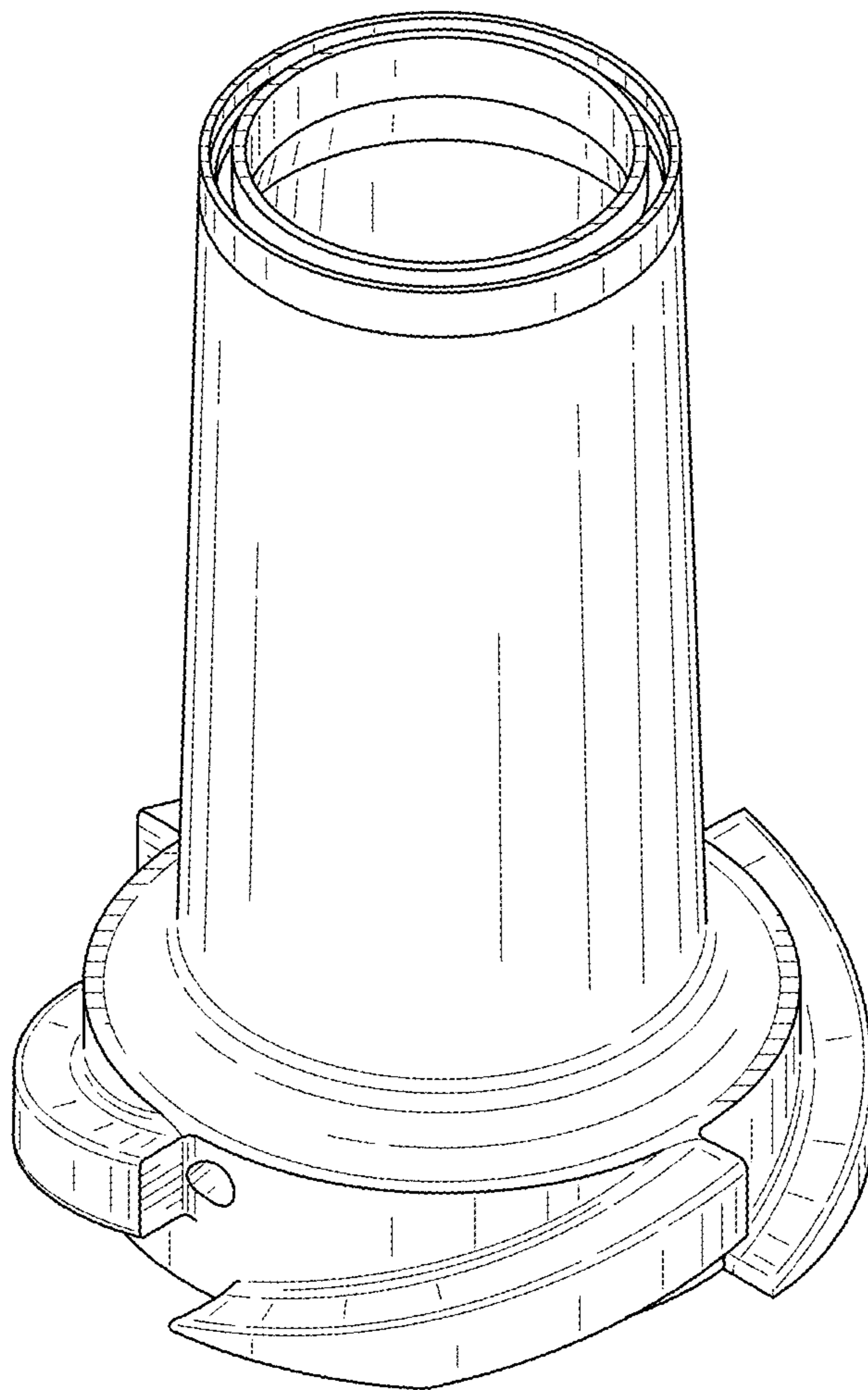


FIG. 1

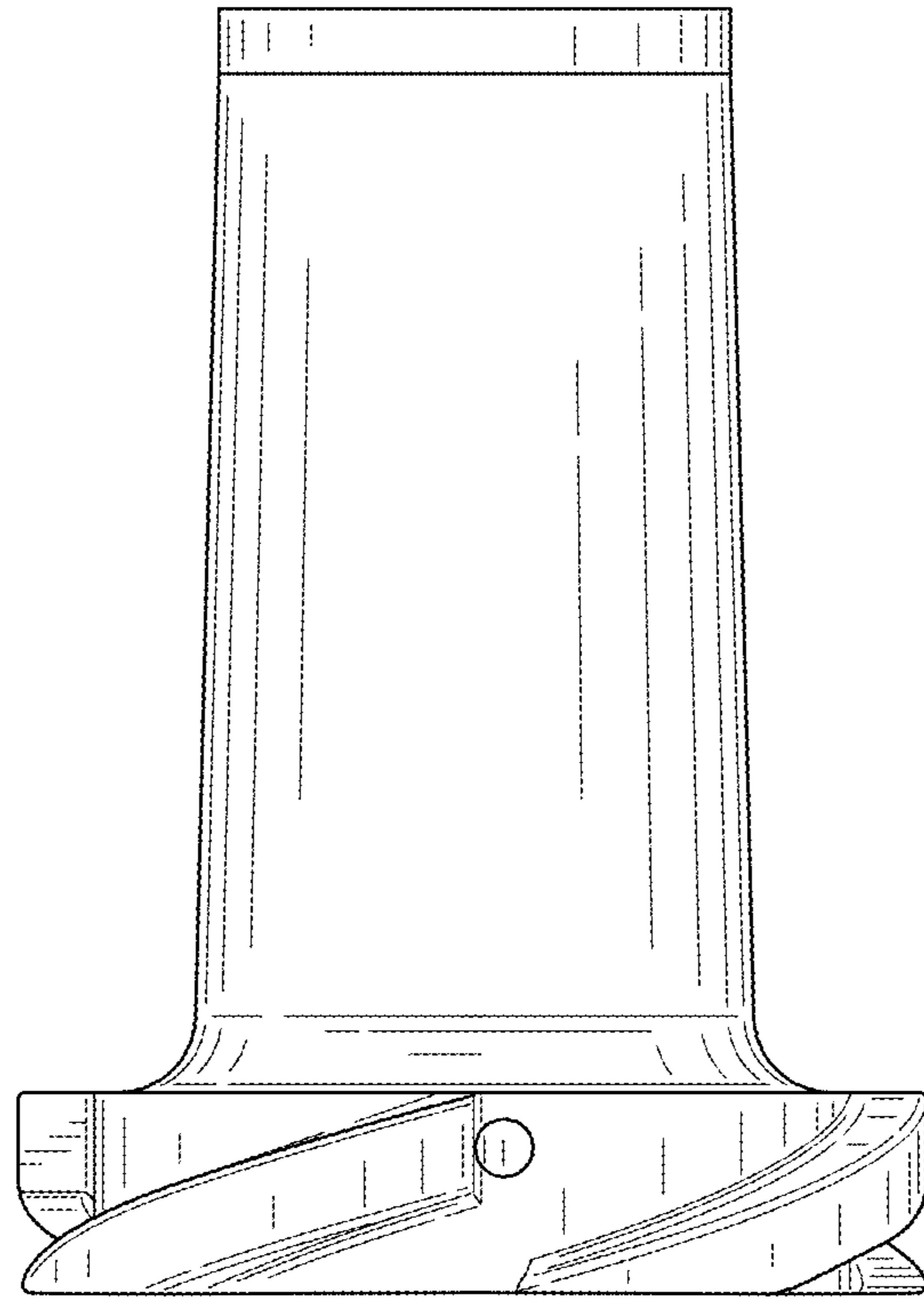


FIG. 2

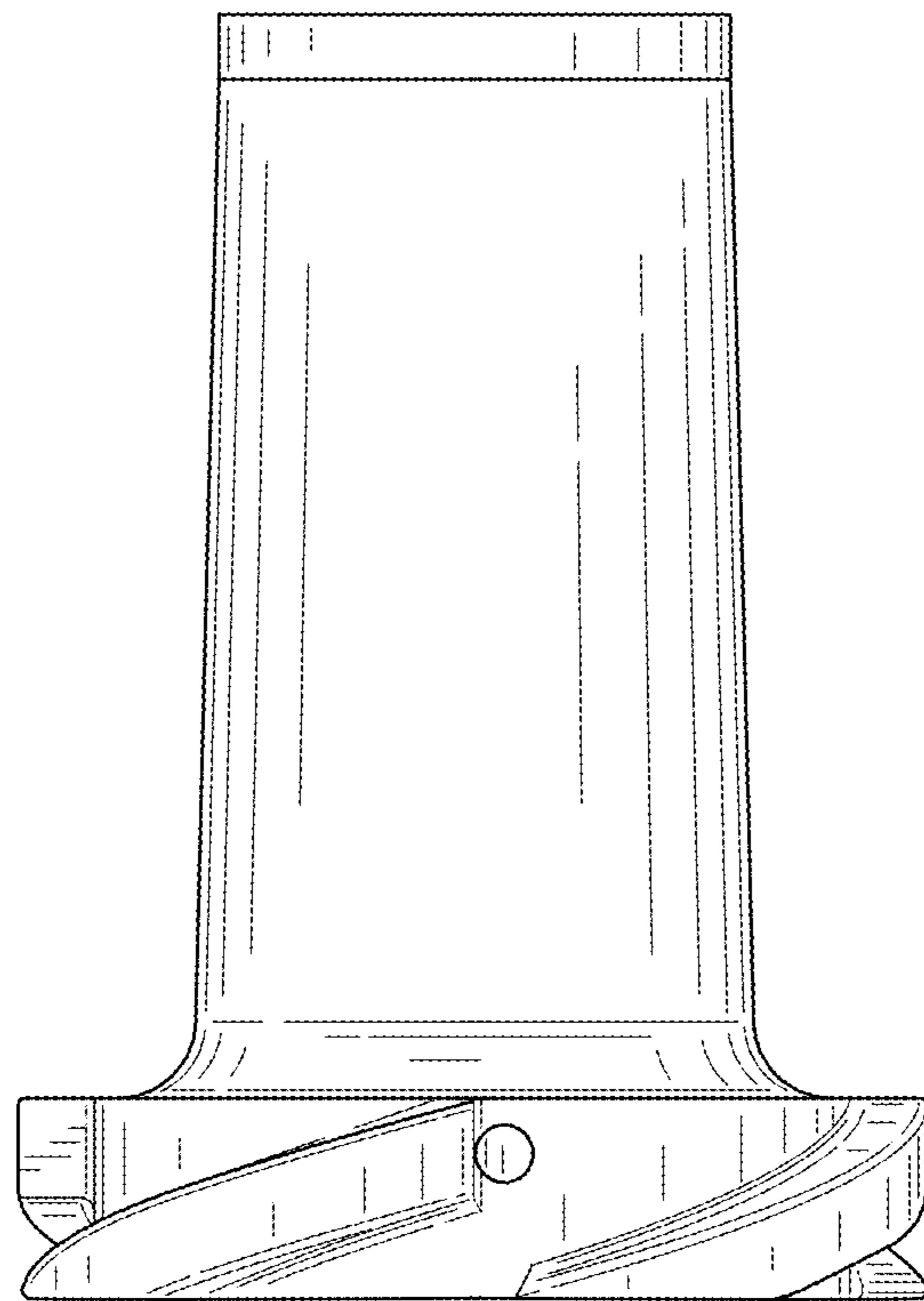


FIG. 3

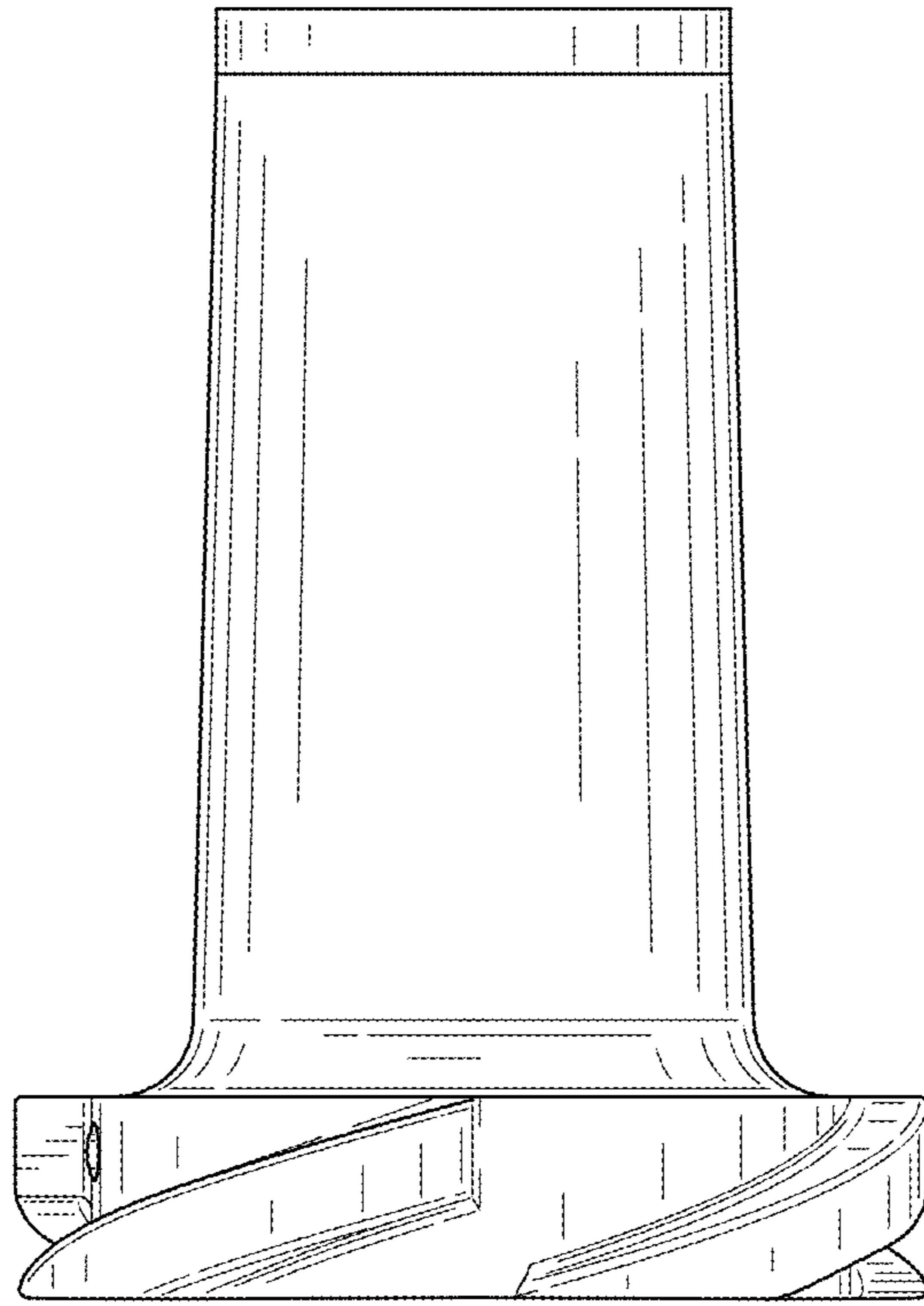


FIG. 4

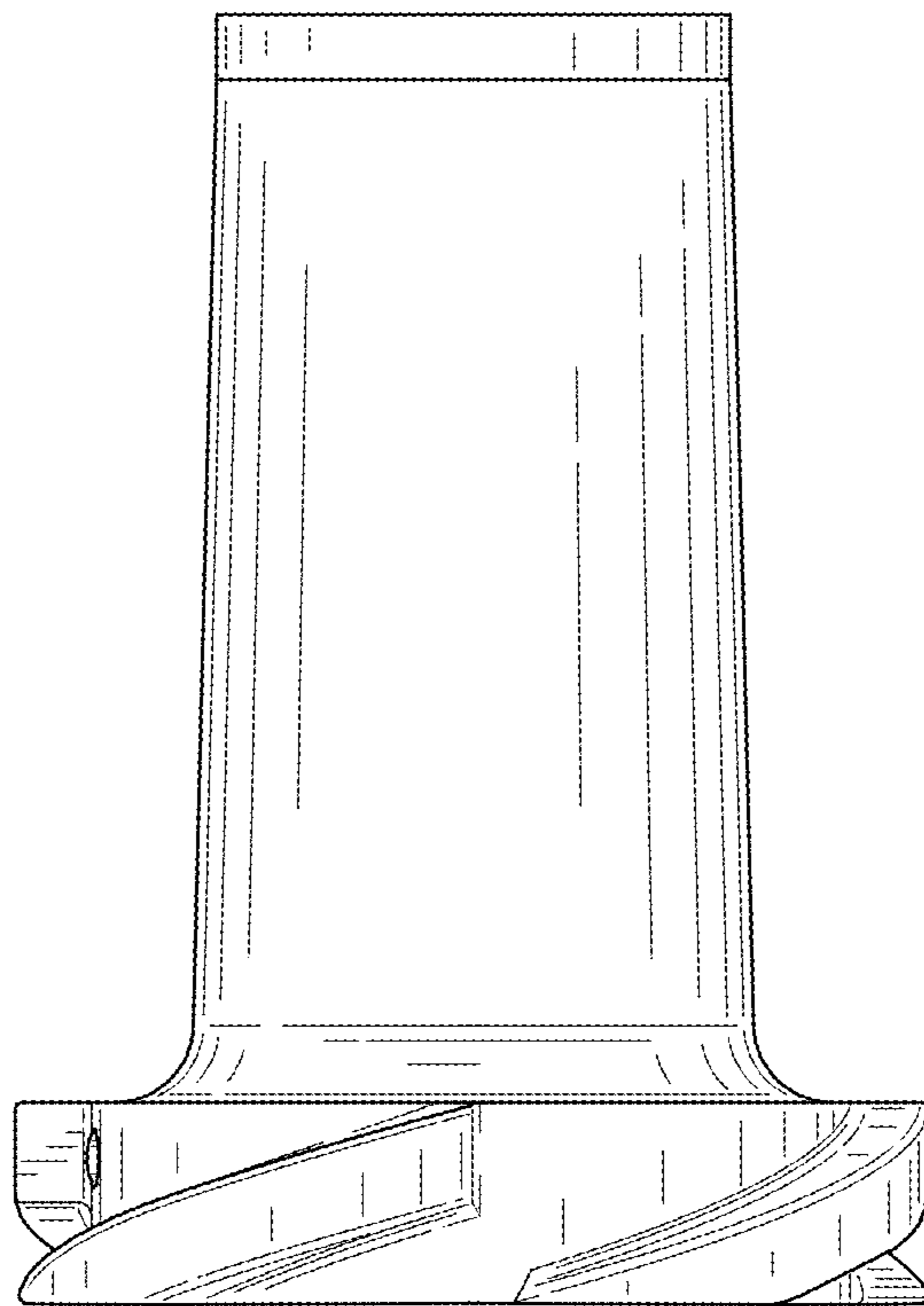


FIG. 5

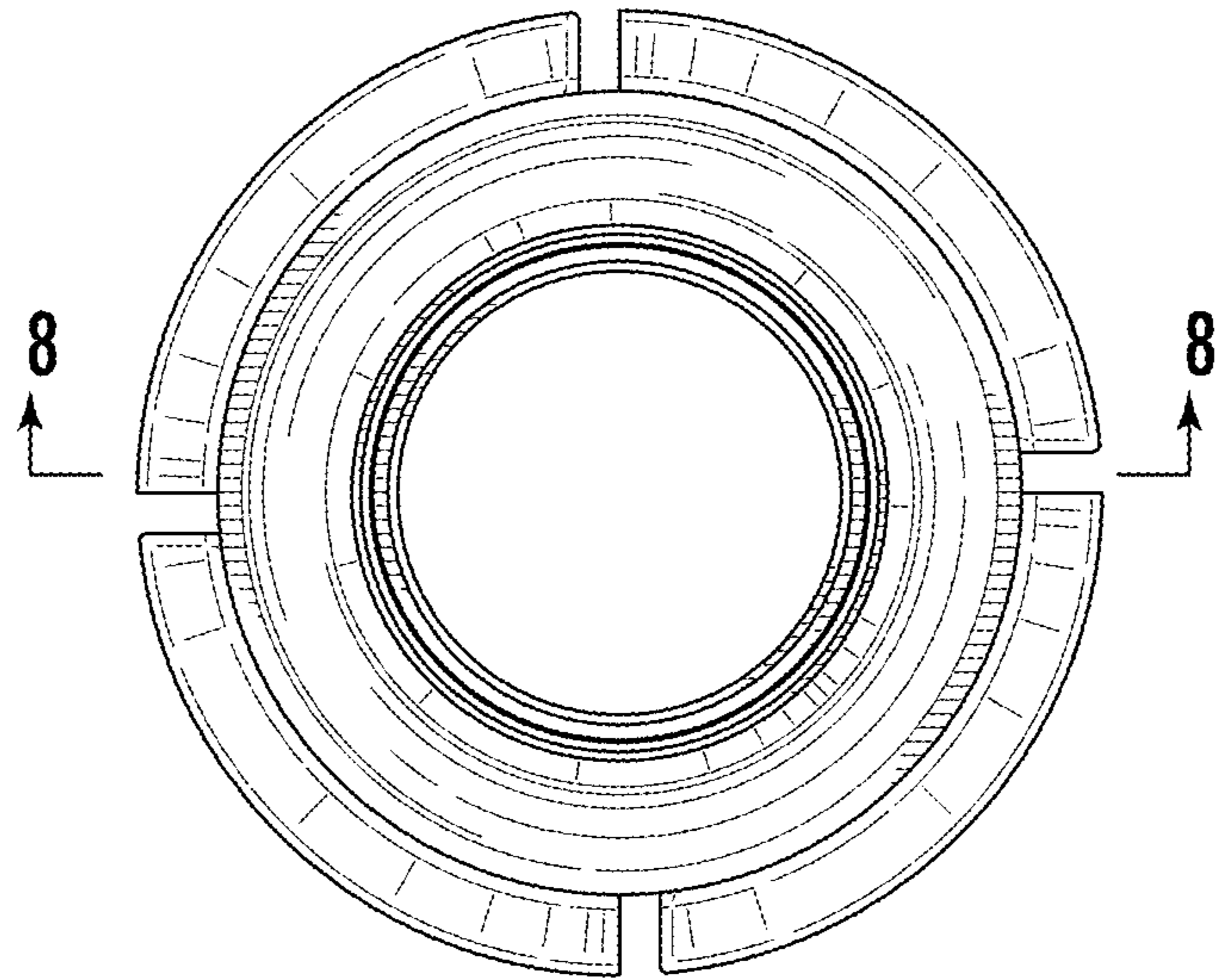


FIG. 6

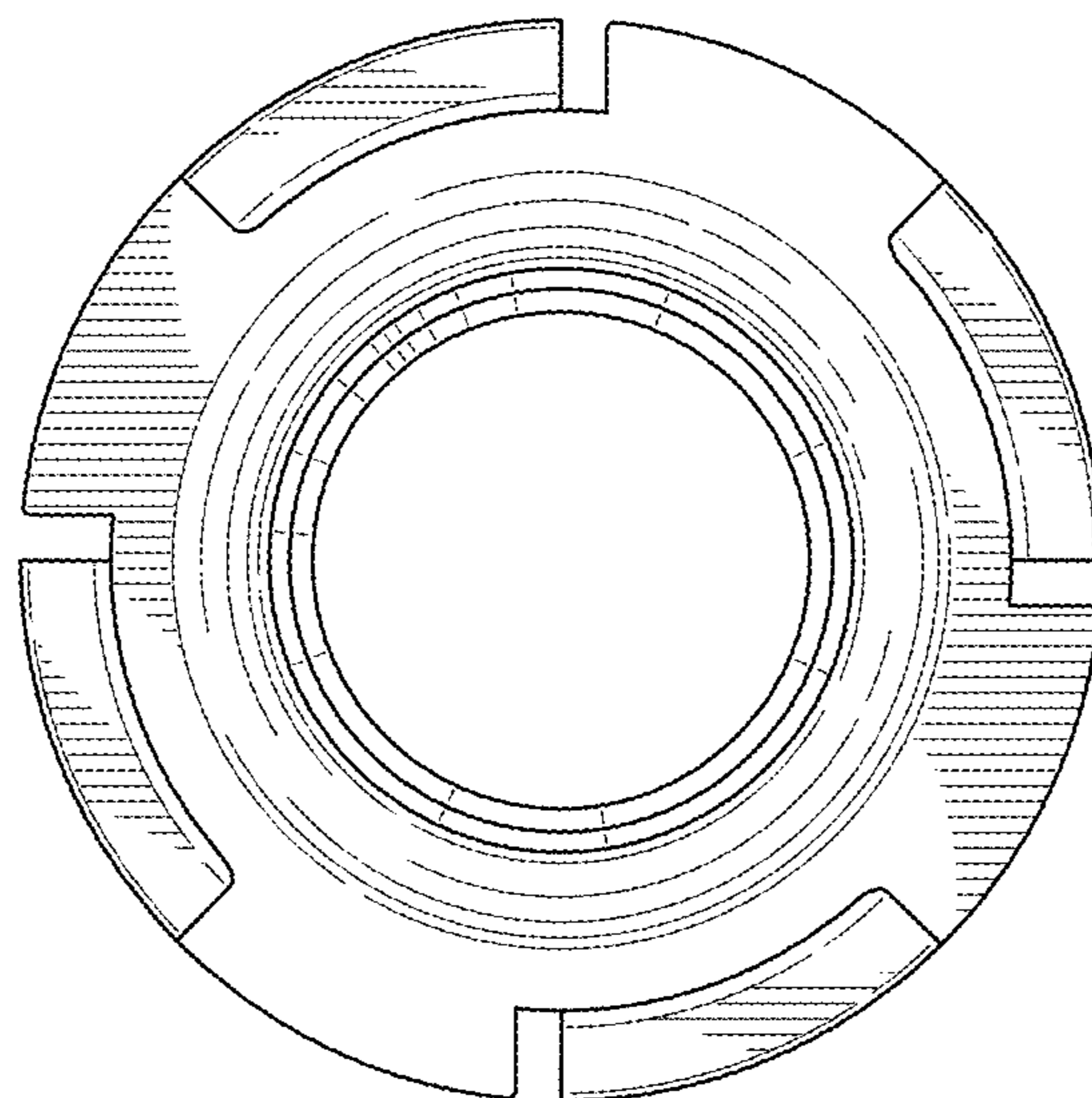


FIG. 7

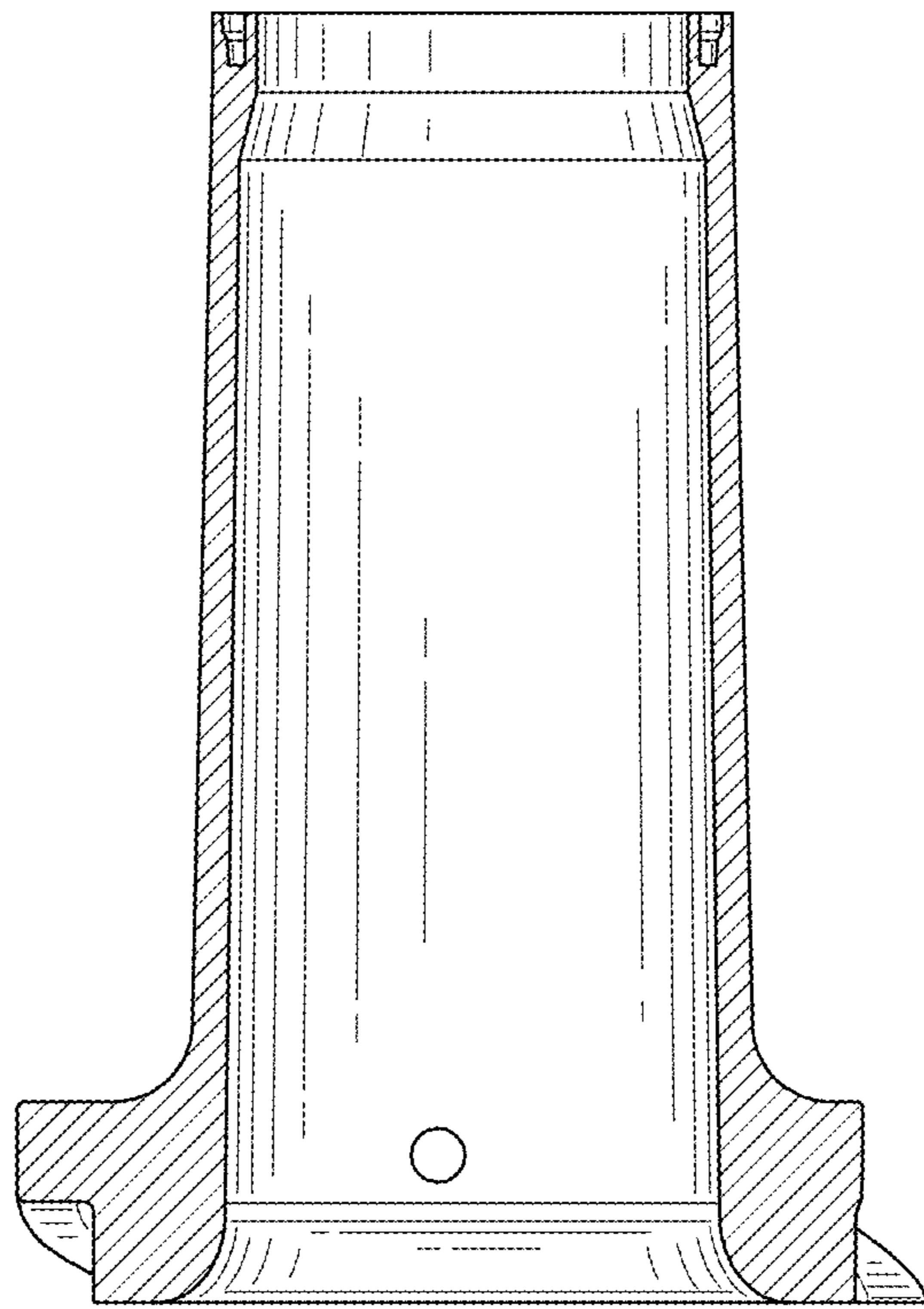


FIG. 8

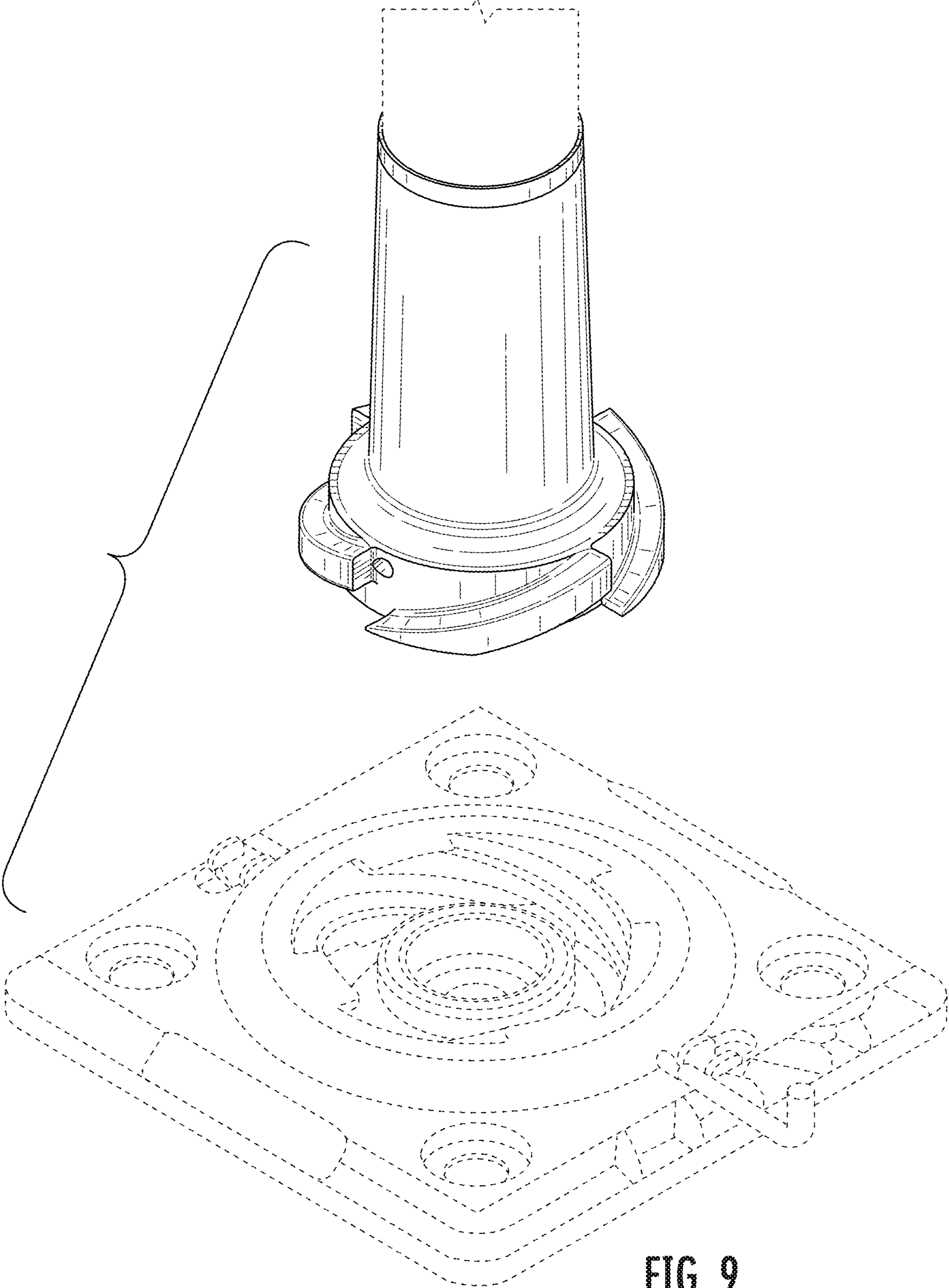


FIG. 9

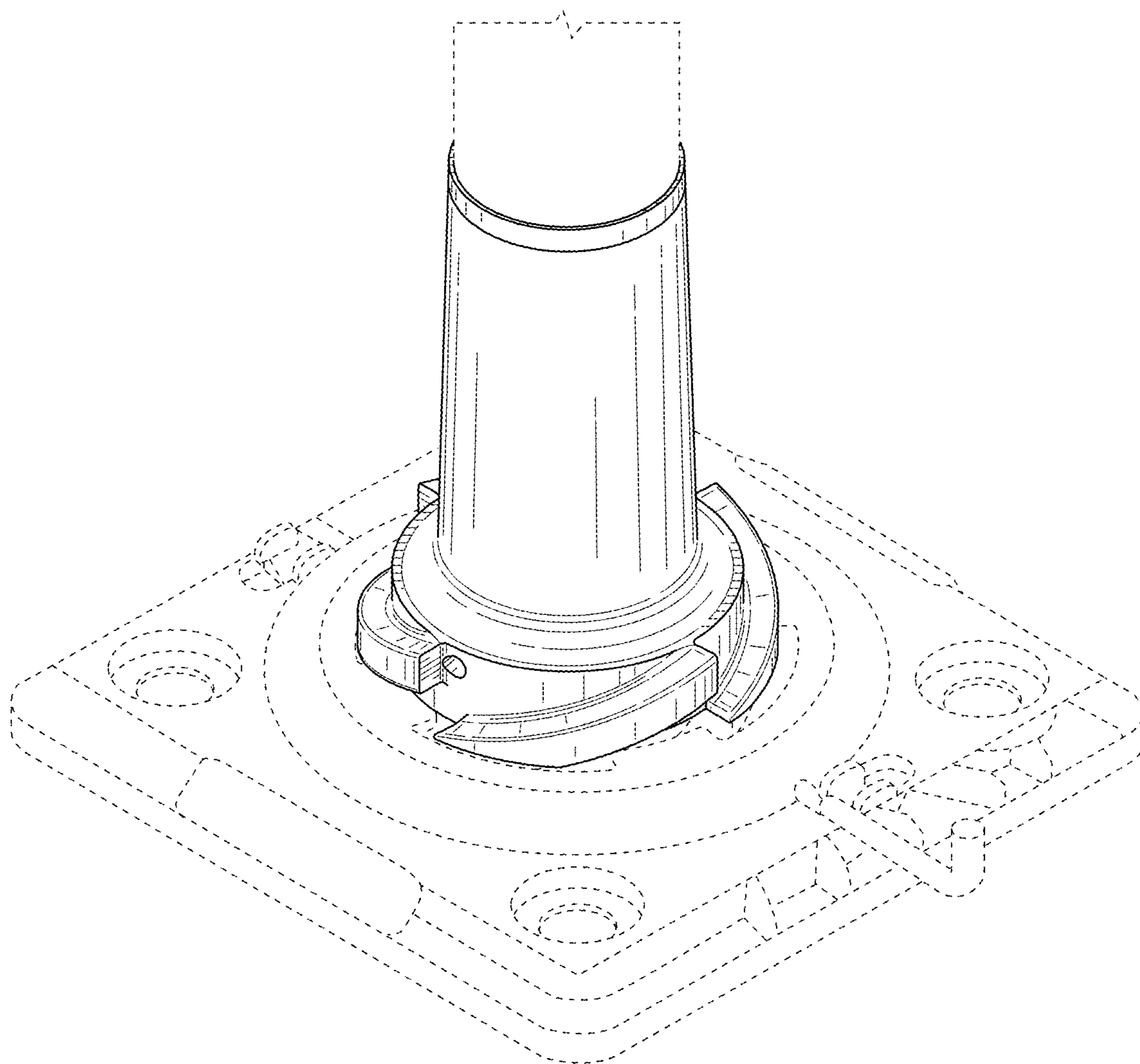


FIG. 10