



US00D937699S

(12) **United States Design Patent** (10) **Patent No.:** **US D937,699 S**
Wang Lee (45) **Date of Patent:** **** Dec. 7, 2021**

(54) **TRAFFIC CONE**
(71) Applicant: **Jeffrey Wang Lee**, Tainan (TW)
(72) Inventor: **Jeffrey Wang Lee**, Tainan (TW)
(**) Term: **15 Years**
(21) Appl. No.: **29/724,566**
(22) Filed: **Feb. 18, 2020**
(51) **LOC (13) Cl.** **10-05**
(52) **U.S. Cl.**
USPC **D10/113.2**
(58) **Field of Classification Search**
USPC D10/113.2
CPC E01F 13/02; E01F 13/022; E01F 13/024;
E01F 13/026; E01F 13/028; E01F 13/04;
E01F 13/042; E01F 13/065; E01F 9/654;
E01F 9/573; E01F 9/602; E01F 9/627;
E01F 9/629; E01F 9/688; B63B 21/06
See application file for complete search history.

(56) **References Cited**

U.S. PATENT DOCUMENTS

D406,543 S *	3/1999	Brown	D10/113.2
6,182,600 B1 *	2/2001	Brown	E01F 9/688
				116/63 C
D440,173 S *	4/2001	Cuttill	D10/113.2
D474,987 S *	5/2003	Dvoracek	D10/113.2
D475,315 S *	6/2003	Dvoracek	D10/113.2
D485,775 S *	1/2004	Smith	D10/113.2
D621,288 S *	8/2010	Cortez	D10/113.2
D621,289 S *	8/2010	Cortez	D10/113.2
9,863,578 B2 *	1/2018	Cuttill	G09F 7/00

* cited by examiner

Primary Examiner — George D. Kirschbaum
Assistant Examiner — Lillian Windham
(74) *Attorney, Agent, or Firm* — WPAT, PC

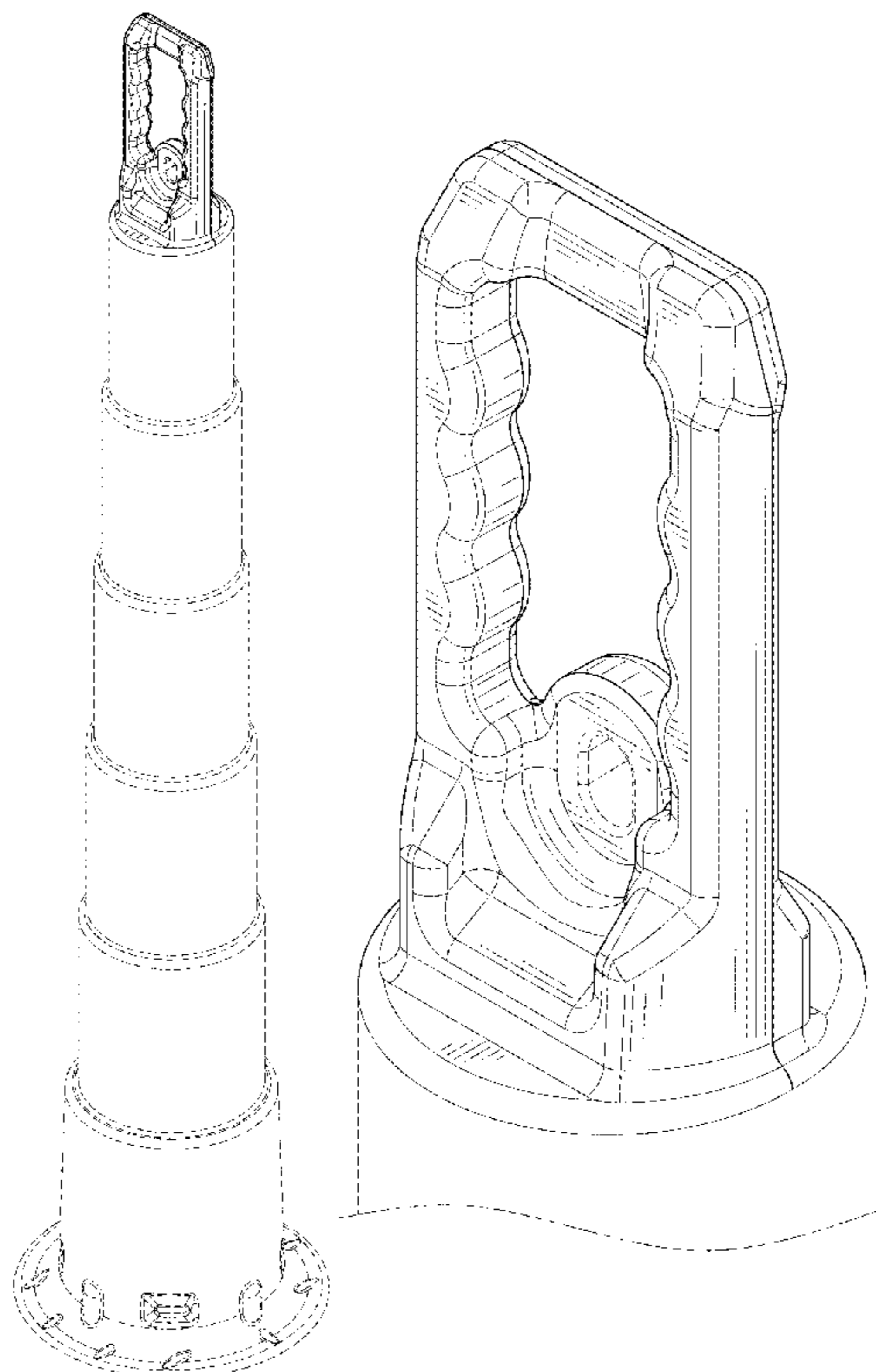
(57) **CLAIM**

The ornamental design for a traffic cone, as shown and described.

DESCRIPTION

FIG. 1 is a top perspective view of a traffic cone, showing my new design;
FIG. 2 is an another top perspective view thereof;
FIG. 3 is a front view thereof;
FIG. 4 is a rear view thereof;
FIG. 5 is a left side view thereof;
FIG. 6 is a right side view thereof;
FIG. 7 is a top view thereof;
FIG. 8 is a bottom view thereof;
FIG. 9 is a bottom perspective view thereof;
FIG. 10 an enlarged top view thereof;
FIG. 11 an enlarged bottom view thereof;
FIG. 12 is an enlarged perspective view thereof;
FIG. 13 is an another enlarged perspective view thereof;
FIG. 14 is an enlarged front view thereof;
FIG. 15 is an enlarged rear view thereof; and,
FIG. 16 is an enlarged left side view thereof.
The broken lines illustrate portions of the traffic cone that form no part of the claimed design.

1 Claim, 15 Drawing Sheets



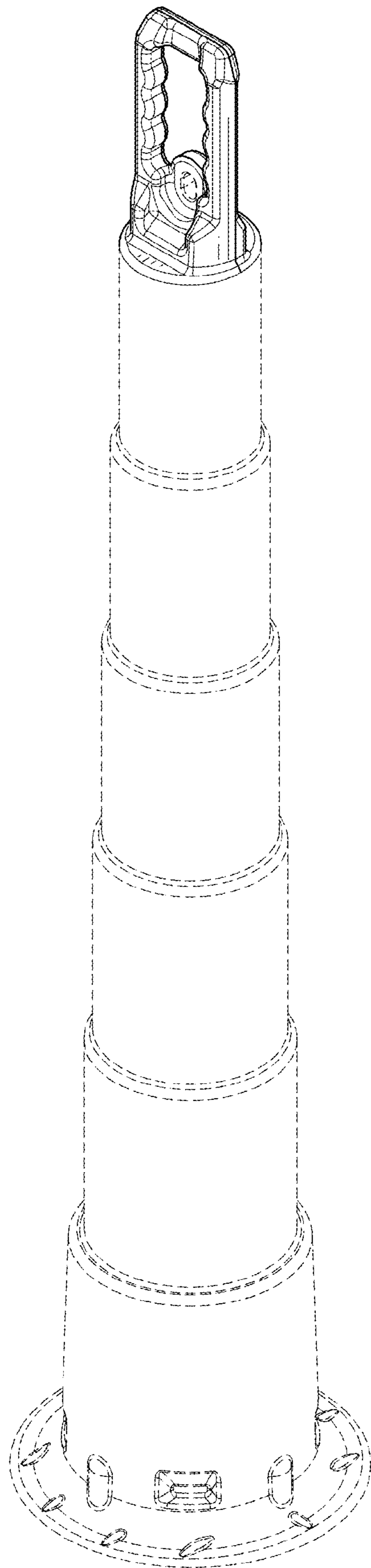


FIG. 1

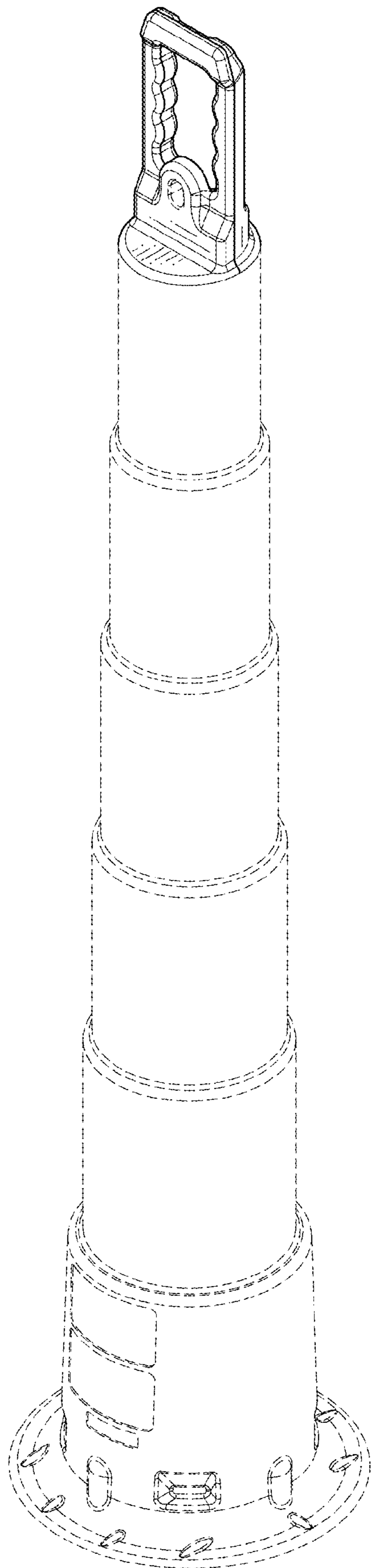


FIG. 2

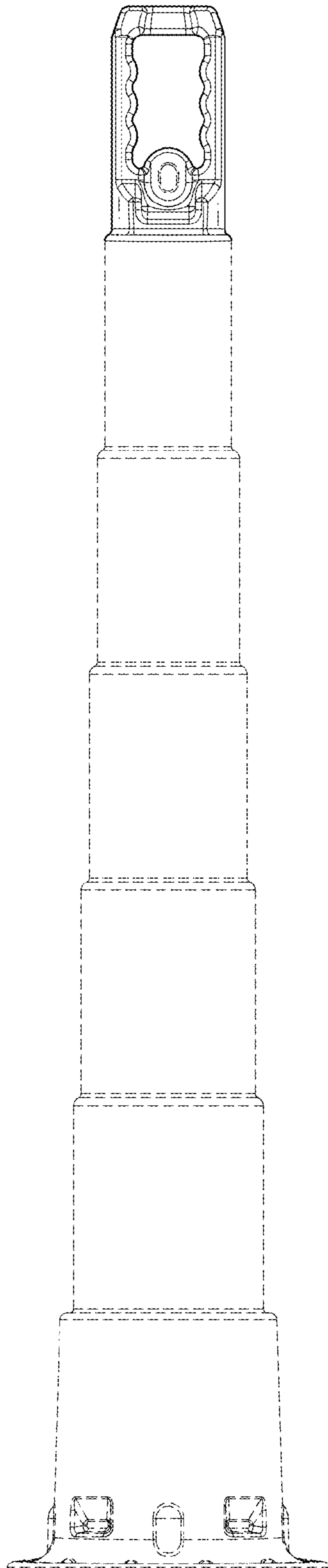


FIG. 3

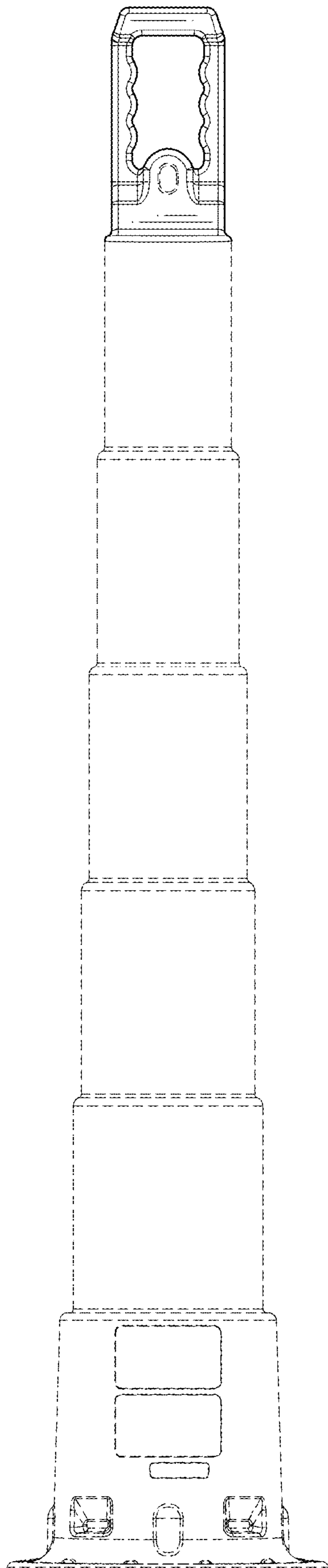


FIG. 4

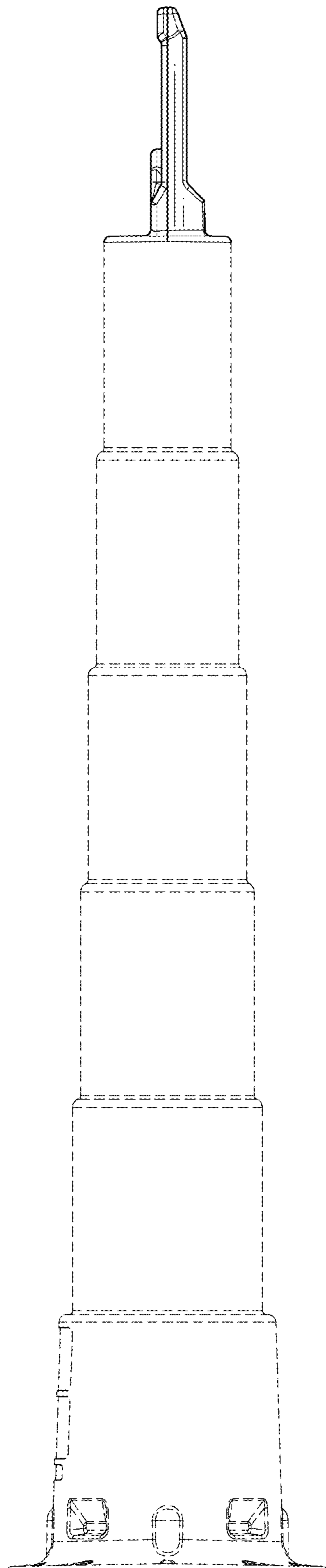


FIG. 5

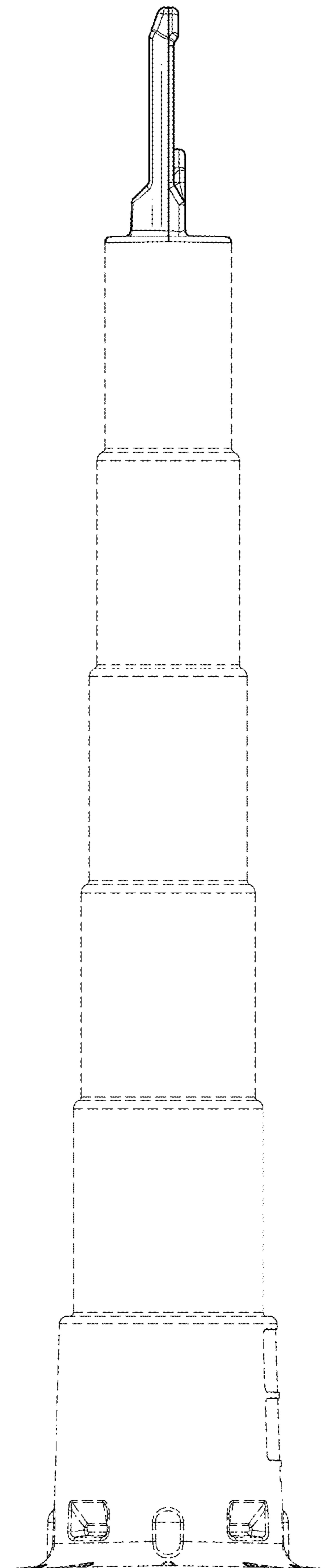


FIG. 6

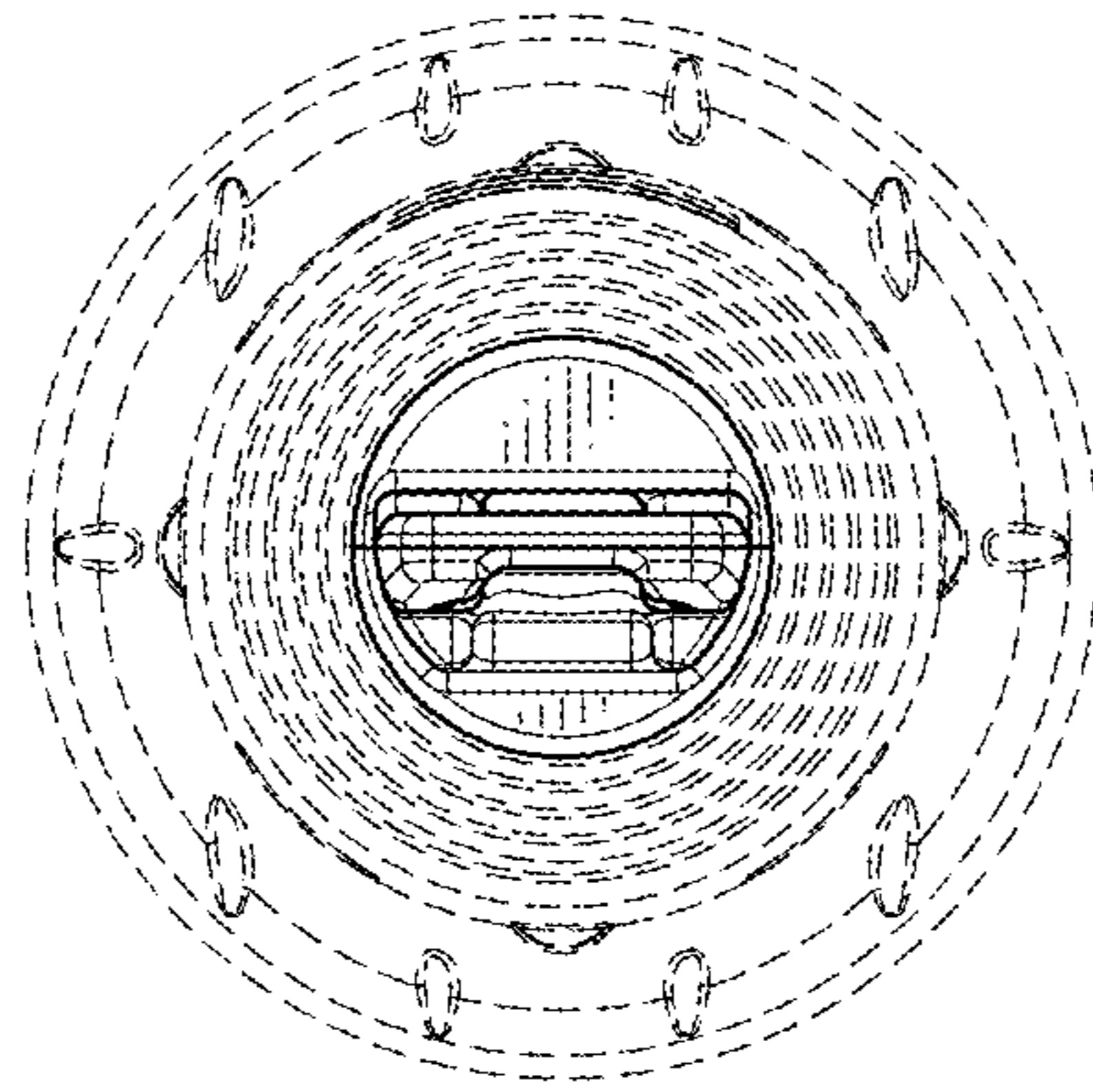


FIG. 7

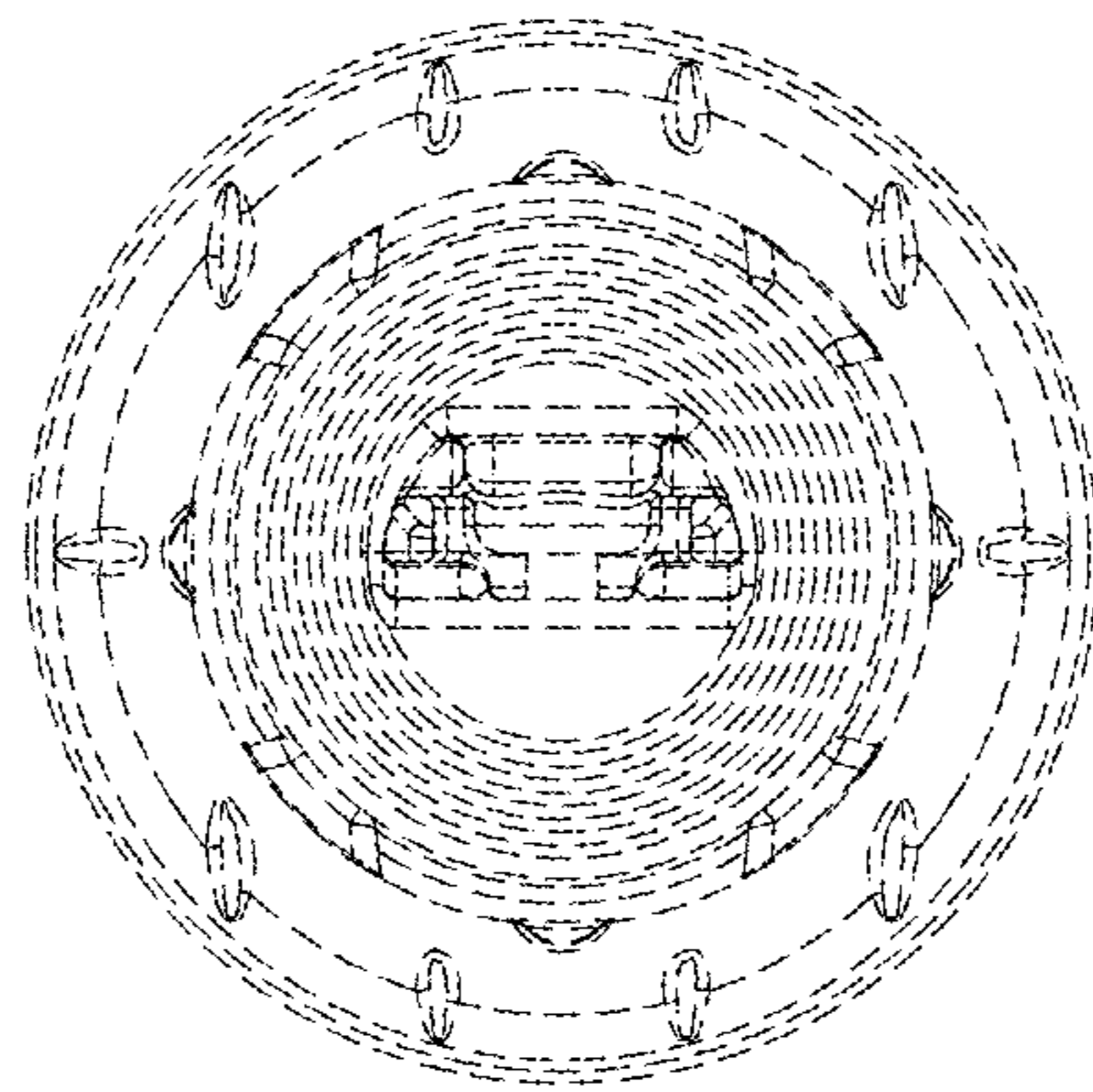


FIG. 8

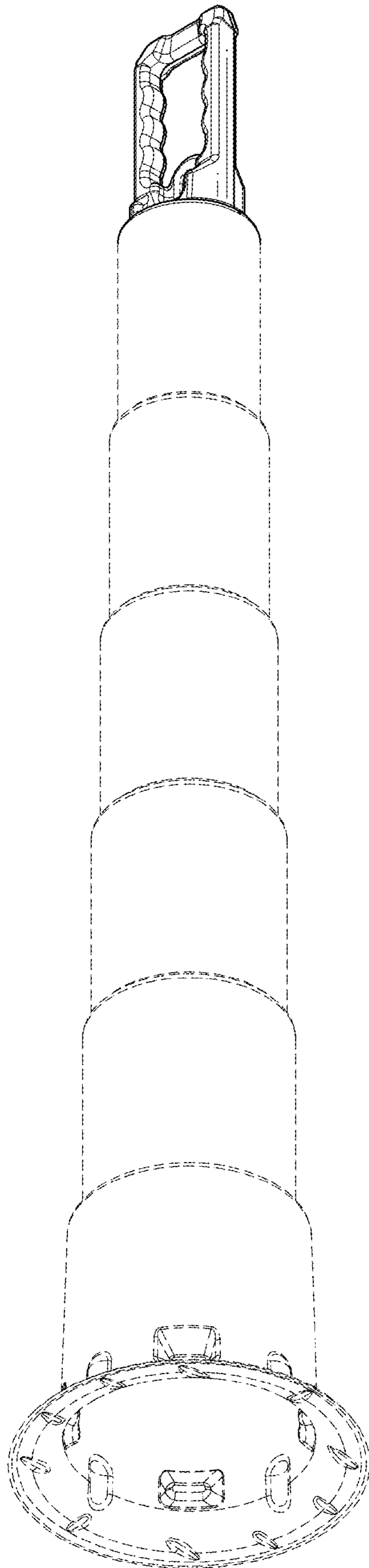


FIG. 9

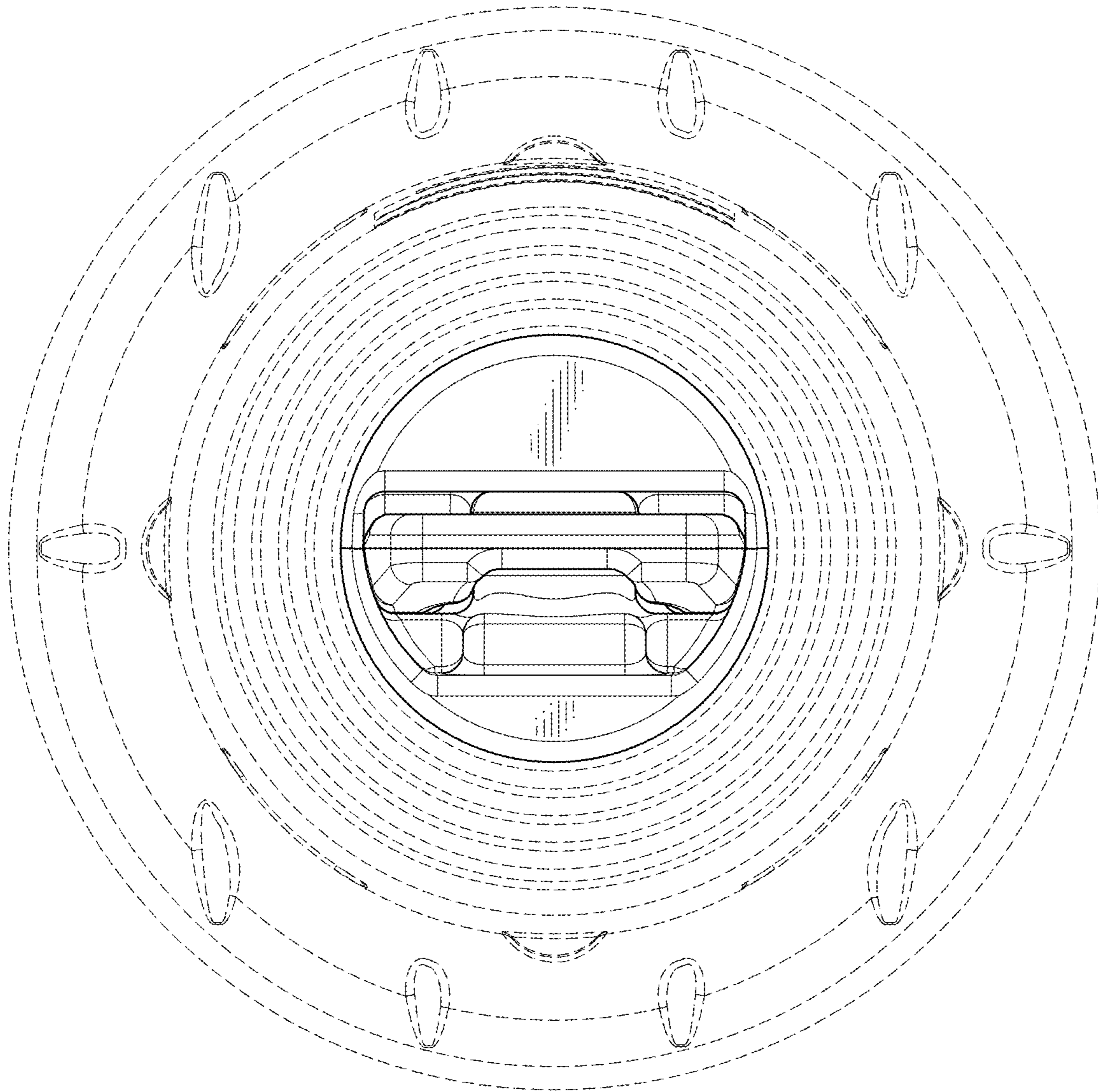


FIG. 10

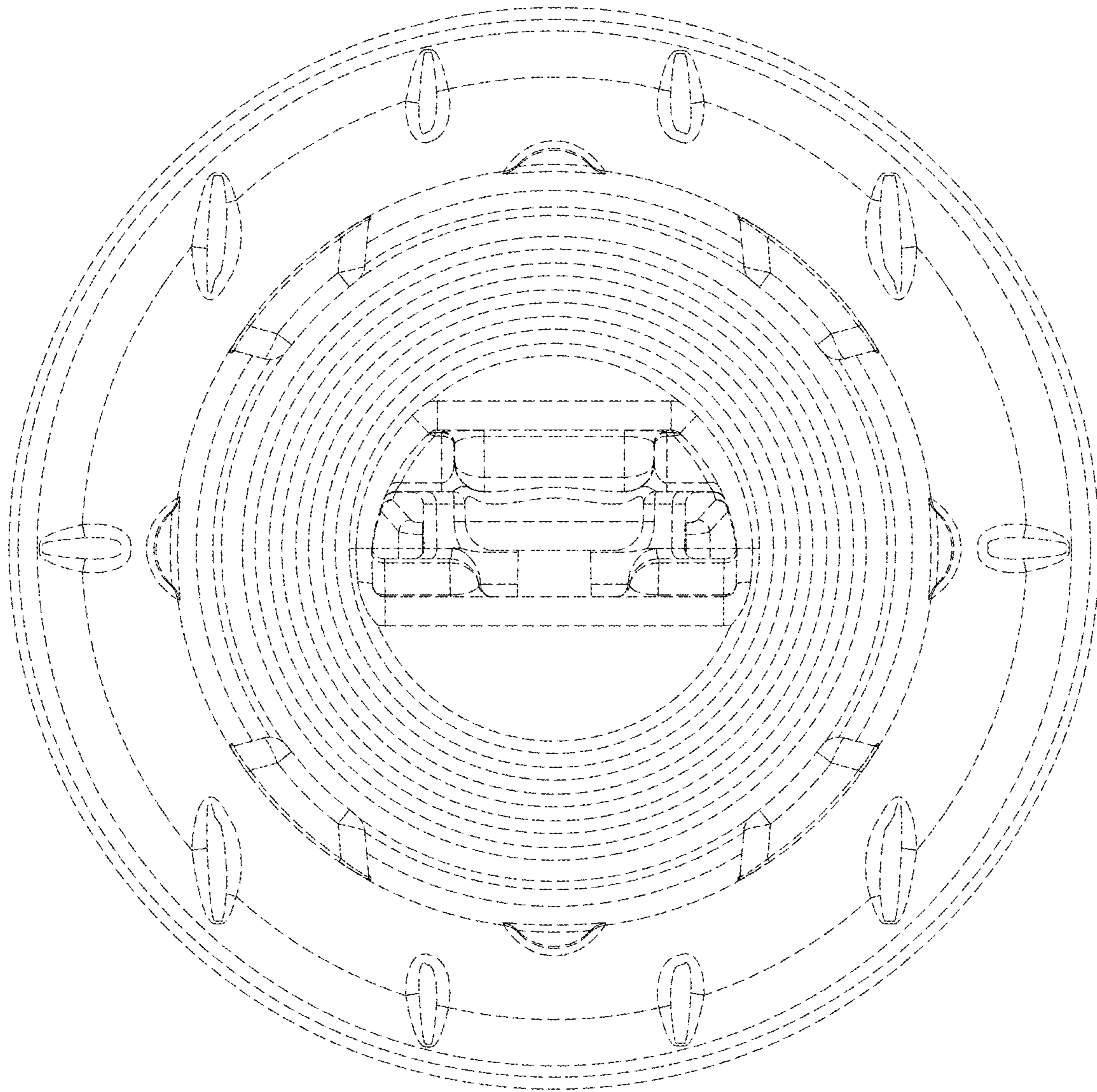


FIG. 11

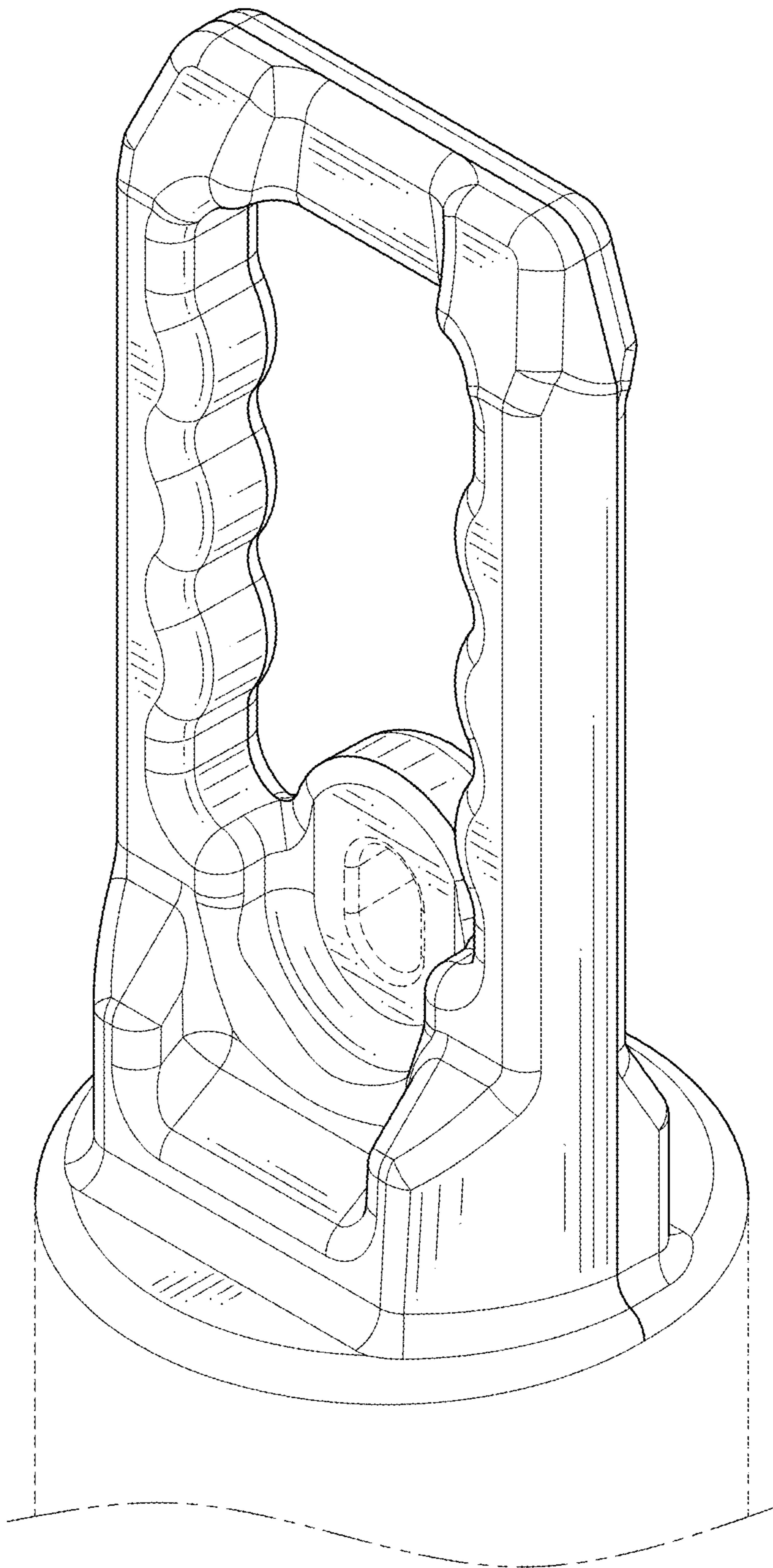


FIG. 12

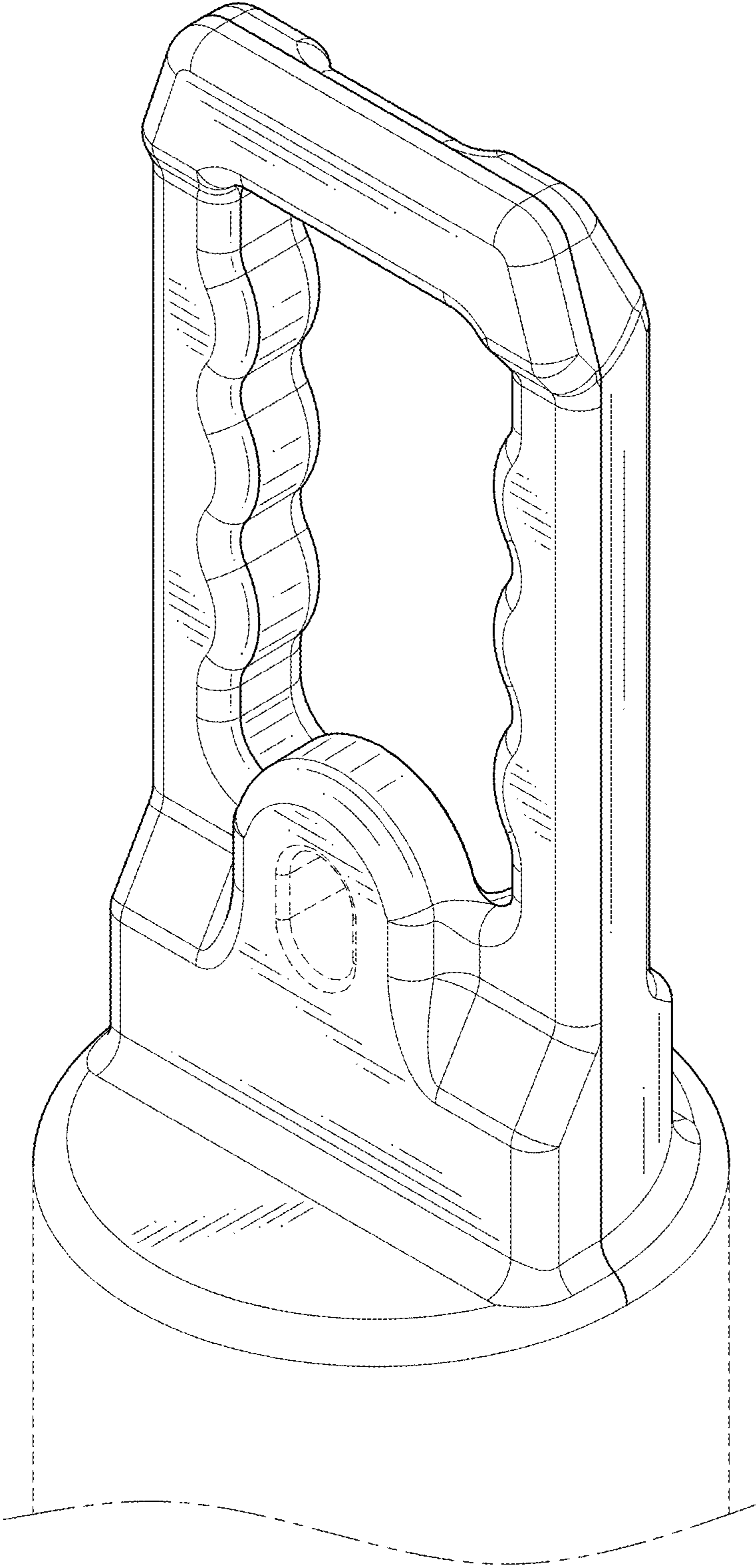


FIG. 13

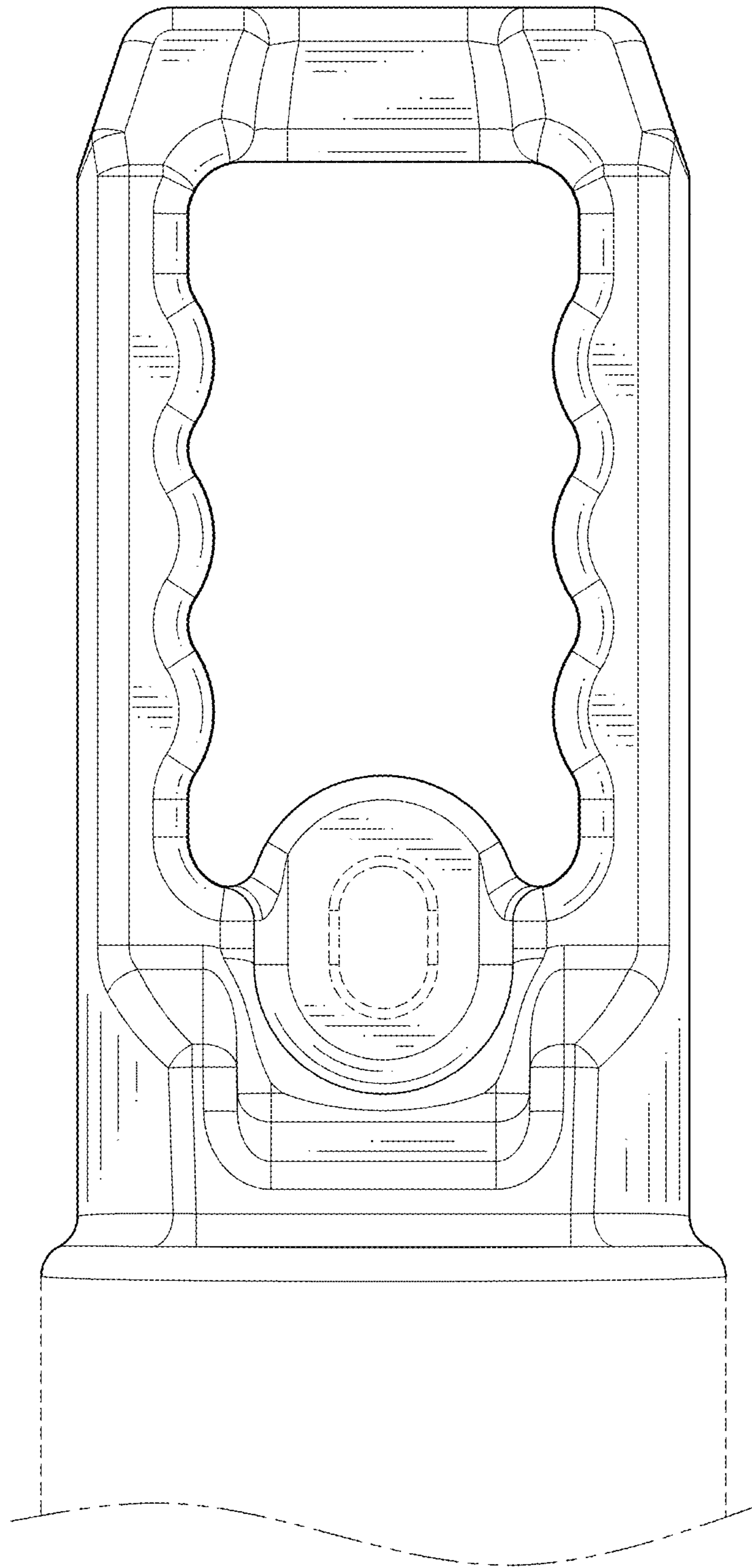


FIG. 14

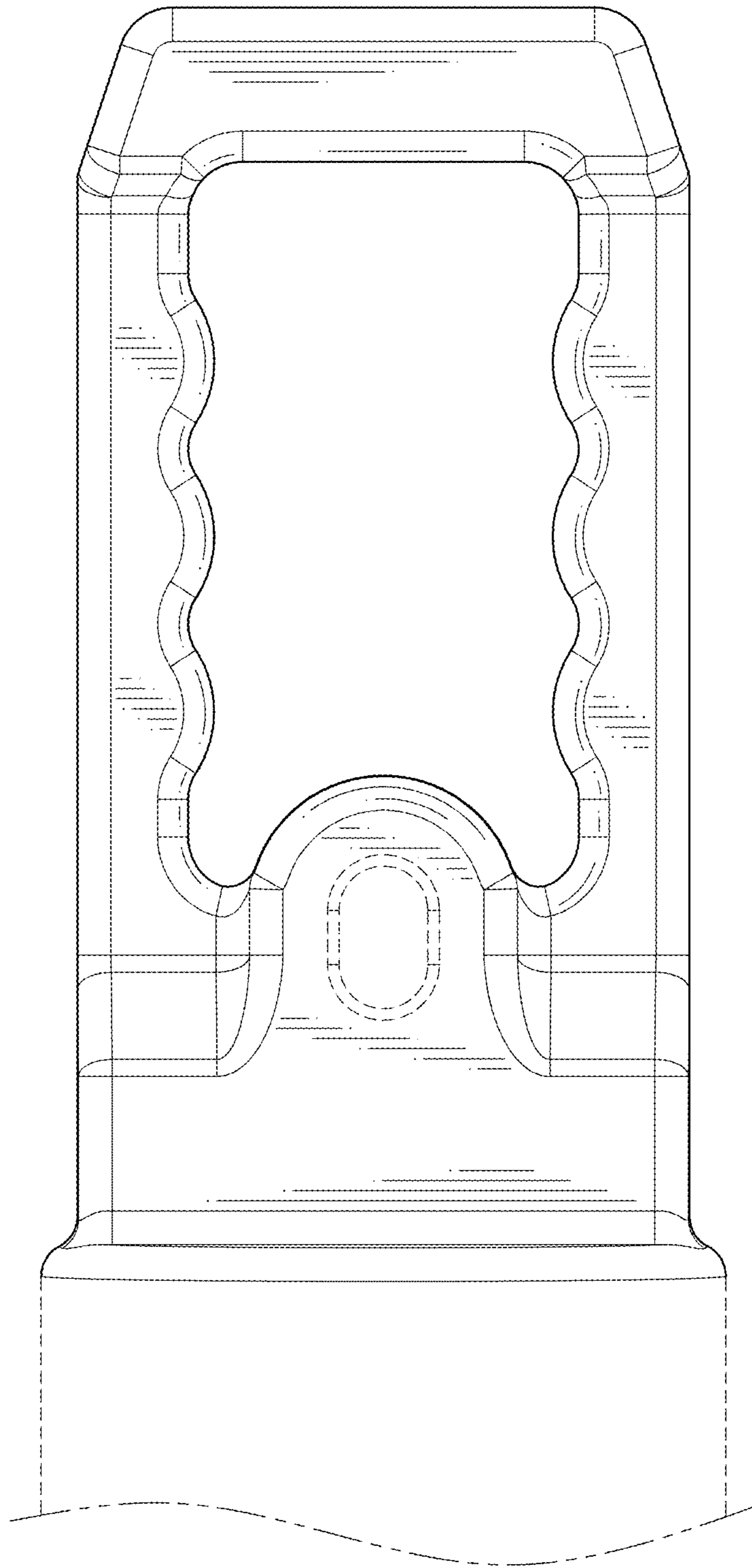


FIG. 15

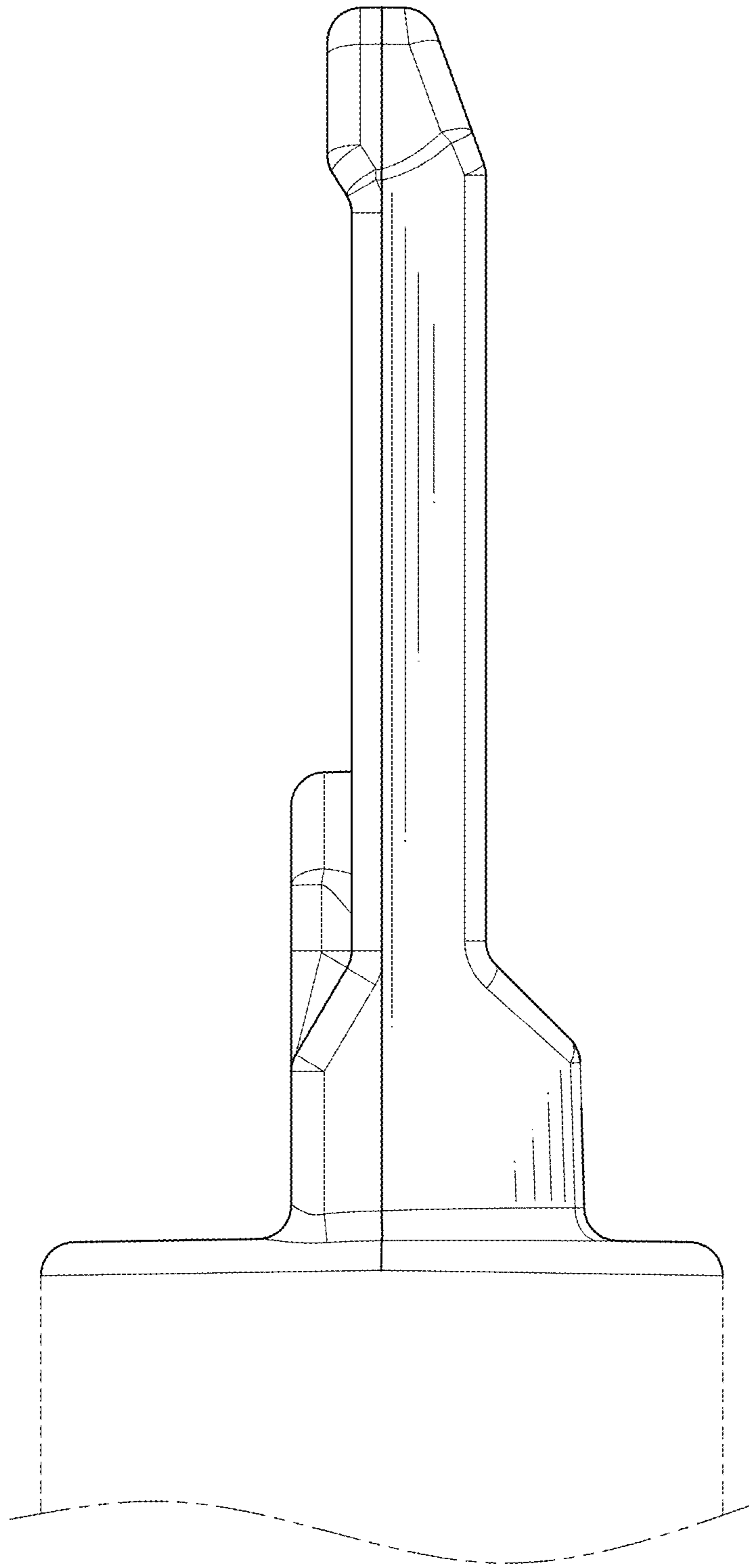


FIG. 16