



US00D937698S

(12) **United States Design Patent** (10) **Patent No.:** **US D937,698 S**  
**Noguchi et al.** (45) **Date of Patent:** **\*\* Dec. 7, 2021**

(54) **HUMAN BODY DETECTOR**  
(71) Applicant: **OPTEX CO., LTD.**, Otsu (JP)  
(72) Inventors: **Michinori Noguchi**, Otsu (JP); **Atsuko Sasaki**, Otsu (JP); **Takeo Hyodo**, Tokyo (JP)

D356,748 S \* 3/1995 Carmi ..... D10/106.6  
D399,155 S \* 10/1998 Roberts ..... D10/106.6  
D423,971 S \* 5/2000 Elbinger ..... D10/106.1  
D425,534 S \* 5/2000 Mutoh ..... D10/106.1  
D434,387 S \* 11/2000 Taylor ..... D10/106.1  
D439,853 S \* 4/2001 Aiello ..... D10/104.1

(Continued)

**FOREIGN PATENT DOCUMENTS**

KR 3020090028605 \* 6/2009

**OTHER PUBLICATIONS**

Amazon, Jcheng Security Wireless Outdoor Motion Detector, posted Mar. 29, 2018, [online], [visited Feb. 18, 2021]. Internet, <URL: <https://www.amazon.co.uk/Wireless-Detector-Immunity-Business-Waterproof/dp/B07BT3J3XG/ref>> (Year: 2018).\*

(Continued)

*Primary Examiner* — George D. Kirschbaum  
*Assistant Examiner* — Samantha N Wood

(73) Assignee: **OPTEX CO., LTD.**  
(\*\*) Term: **15 Years**  
(21) Appl. No.: **35/508,698**  
(22) Filed: **Aug. 27, 2019**  
(80) **Hague Agreement Data**  
Int. Filing Date: **Aug. 27, 2019**  
Int. Reg. No.: **DM/204251**  
Int. Reg. Date: **Aug. 27, 2019**  
Int. Reg. Pub. Date: **Feb. 28, 2020**

(51) **LOC (13) Cl.** ..... **10-04**  
(52) **U.S. Cl.**  
USPC ..... **D10/106.6**

(58) **Field of Classification Search**  
USPC ..... D10/50, 51, 52, 61, 62, 65, 75, 103,  
D10/104.1, 106.6, 108, 121, 104.2, 105,  
D10/106.1, 106.2, 106.3, 106.4, 106.5,  
D10/106.7, 106.8, 106.9, 106.95, 70  
CPC ..... G08B 13/00; G08B 13/02; G08B 13/14;  
G08B 13/1436; G08B 13/18; G08B  
13/194; G08B 13/19602; G08B 13/19604;  
G08B 13/19606; G08B 13/19608; G08B  
13/2491  
See application file for complete search history.

(56) **References Cited**  
**U.S. PATENT DOCUMENTS**

D213,336 S \* 2/1969 Monson ..... D10/50  
D261,740 S \* 11/1981 Lederer ..... D10/106.6  
D302,951 S \* 8/1989 Kotlicki ..... D10/106.6  
D312,054 S \* 11/1990 Melman ..... D10/106.6

(57) **CLAIM**

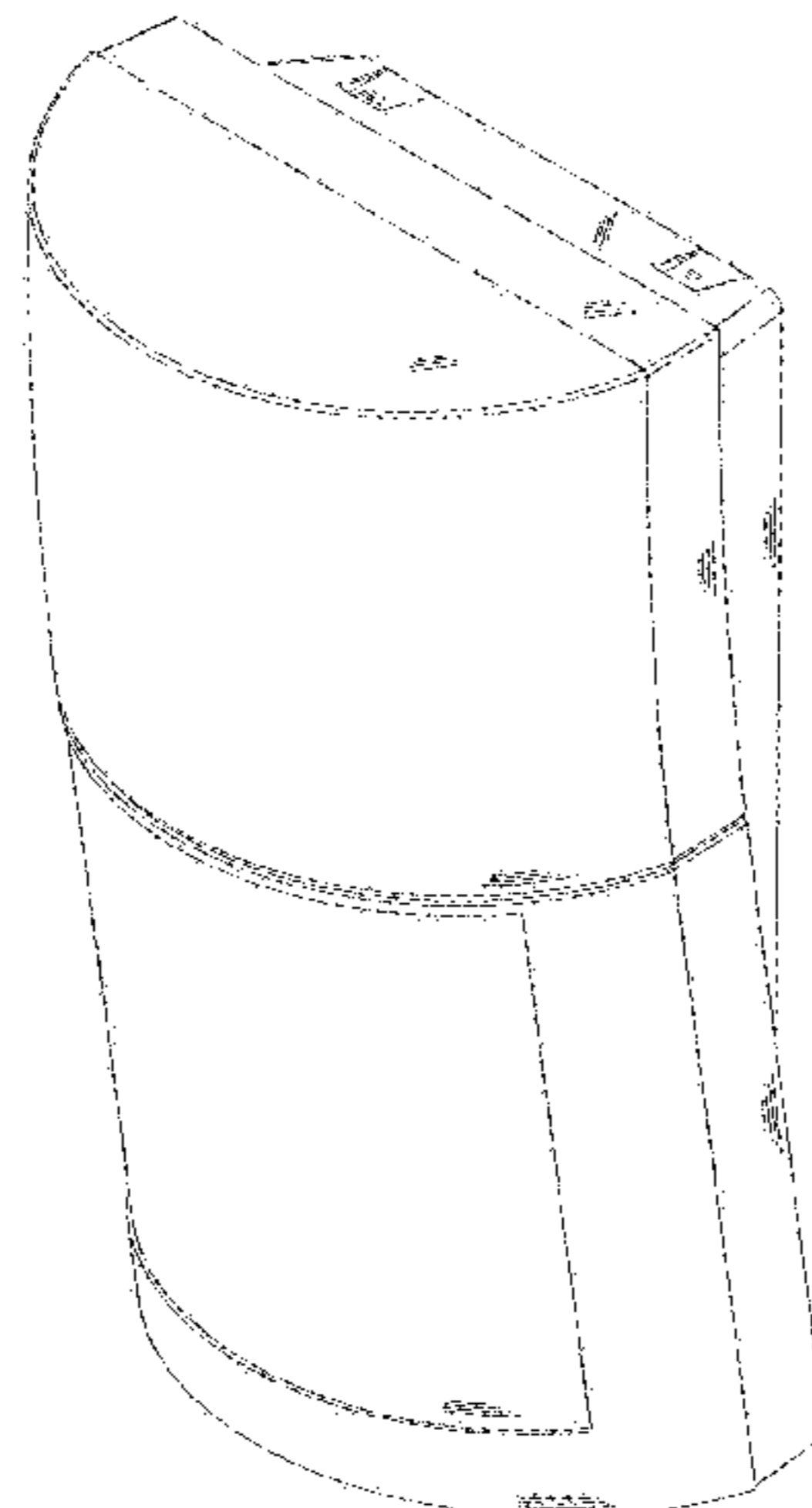
The ornamental design for a human body detector, as shown and described.

**DESCRIPTION**

- 1. Human body detector
- 1.1 : Front
- 1.2: Back
- 1.3 : Left
- 1.4: Top
- 1.5: Bottom
- 1.6: Perspective
- 1.7: Perspective
- 1.8: Perspective

The claimed design is a human body detector, which is mounted on a support member, such as a wall or a pole, to detect human body by using infrared rays or microwaves; specifically, a rear part of the detector is attached to the

(Continued)



support member; the right view is omitted since it is a mirror image of reproduction 1.3 which is the left view.

**1 Claim, 8 Drawing Sheets**

(56)

**References Cited**

U.S. PATENT DOCUMENTS

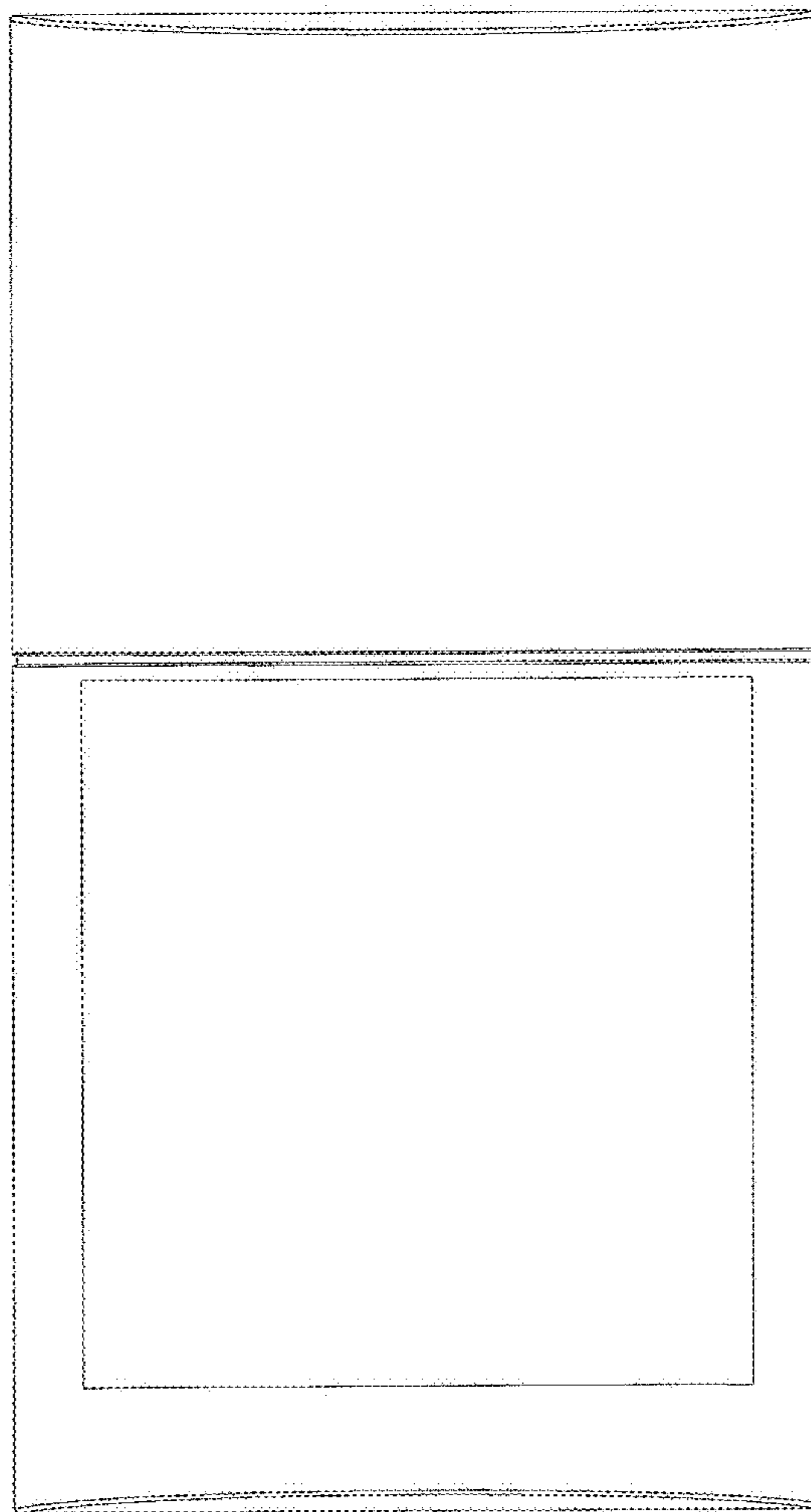
D478,832	S	*	8/2003	Dipple	.....	D10/106.1
D485,774	S	*	1/2004	Hwang	.....	D10/106.6
D628,103	S	*	11/2010	Schmalz	.....	D10/70
D651,532	S	*	1/2012	Li	.....	D10/70
8,123,419	B2	*	2/2012	Cirker	.....	H04N 5/2252 396/427
D664,877	S	*	8/2012	Krumpe	.....	D10/106.7
D666,512	S	*	9/2012	Gresko	.....	D10/70
8,258,949	B1	*	9/2012	Jaynes	.....	G08B 13/19 340/541
D711,272	S	*	8/2014	Reibel	.....	D10/106.7
D782,349	S	*	3/2017	Konotopskyi	.....	D10/70
D861,526	S	*	10/2019	Wang	.....	D10/106.6
D862,266	S	*	10/2019	Kondo	.....	D10/106.6

OTHER PUBLICATIONS

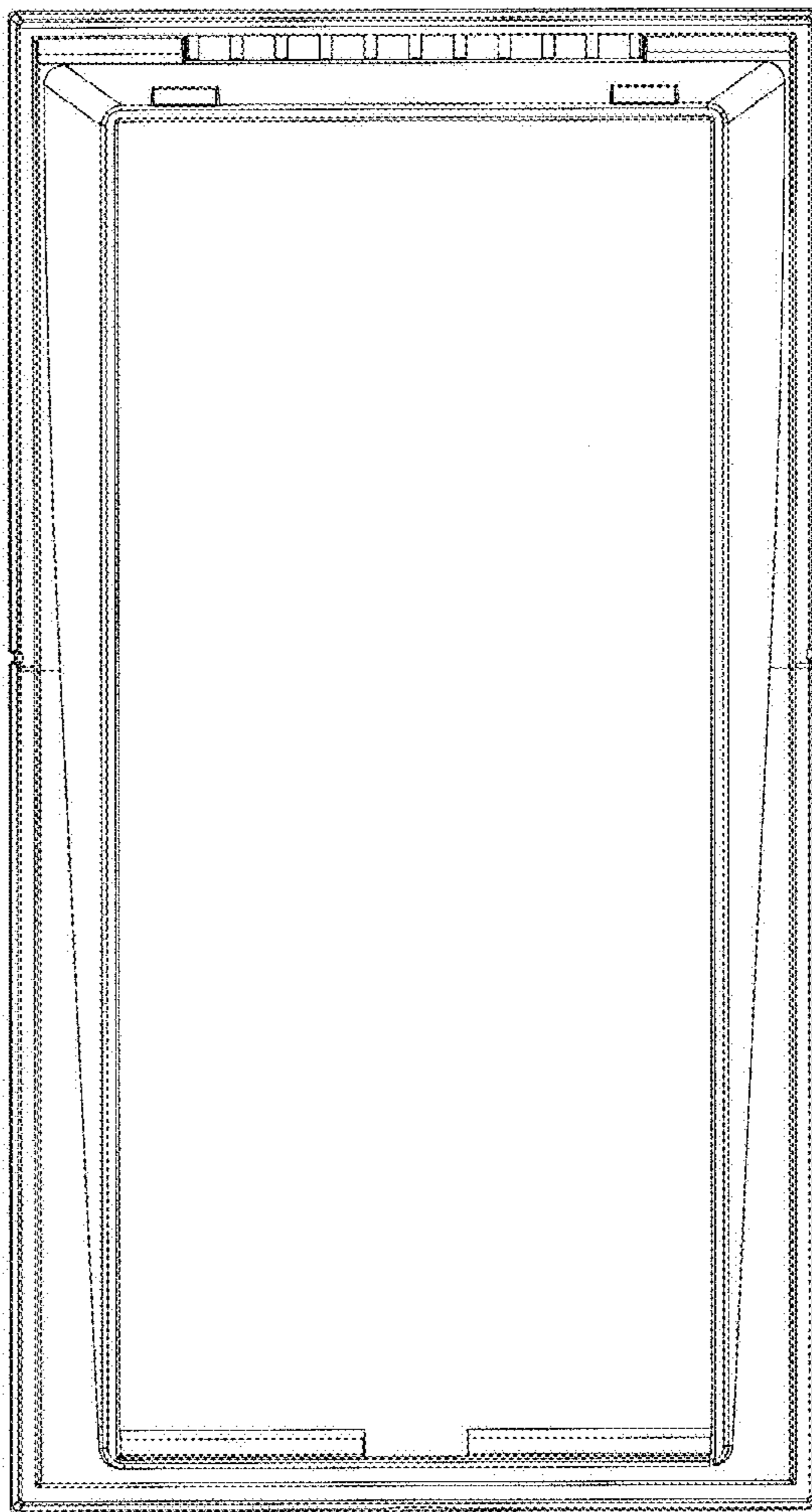
Amazon, Optex Outdoor PIR, posted May 20, 2017, [online], [visited Feb. 18, 2021]. Internet, <URL: <https://www.amazon.co.jp/-/en/LX802N/dp/B001UKR5BQ/ref>> (Year: 2017).\*

\* cited by examiner

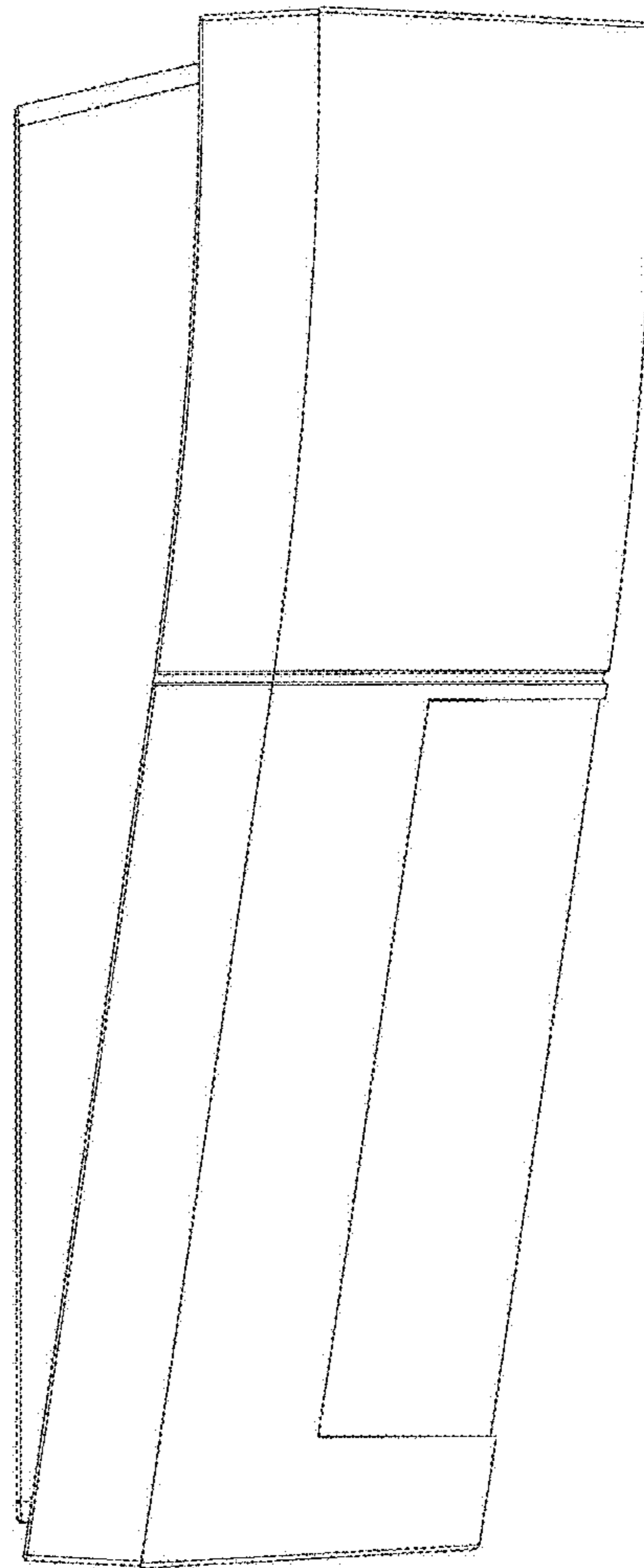
1.1



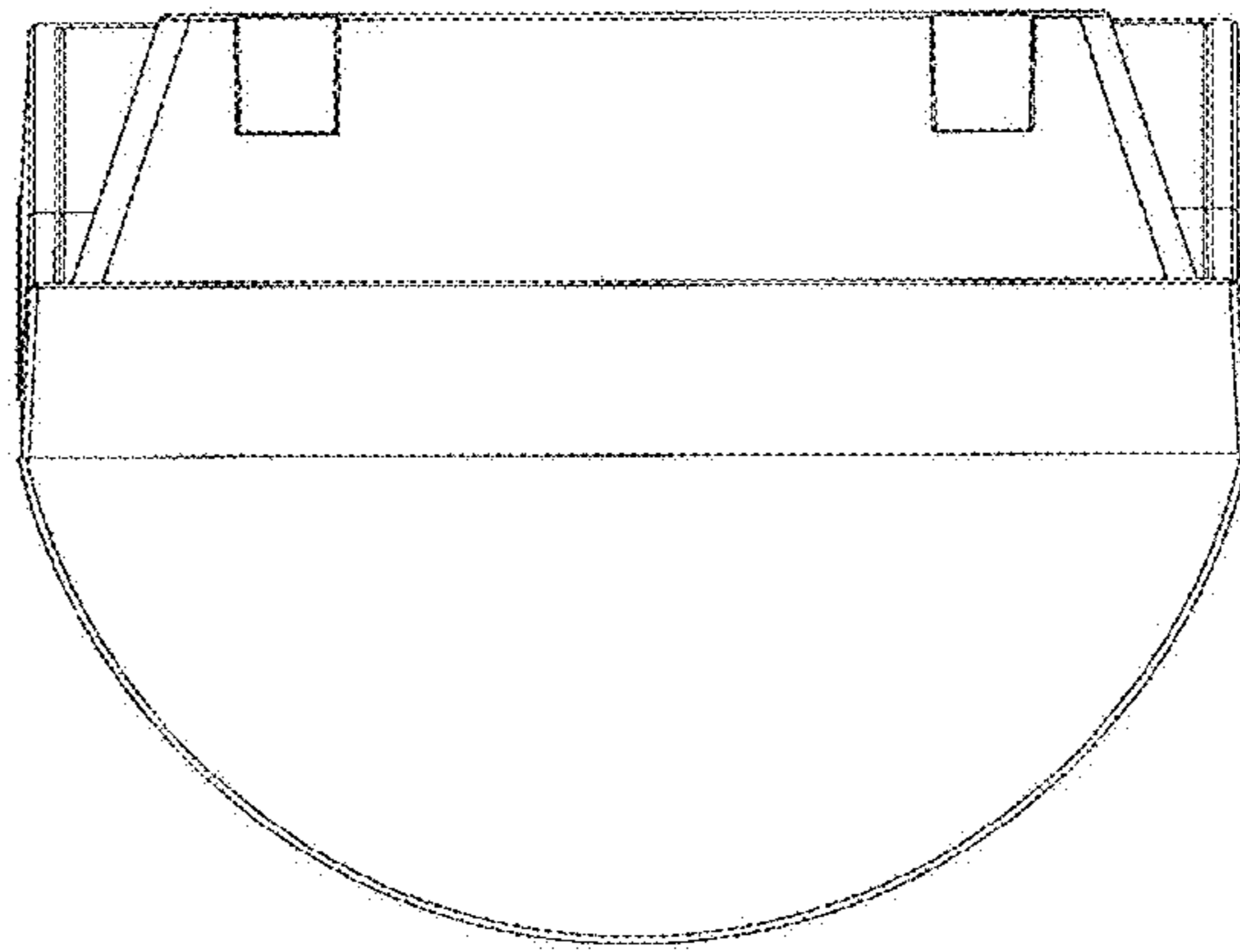
1.2



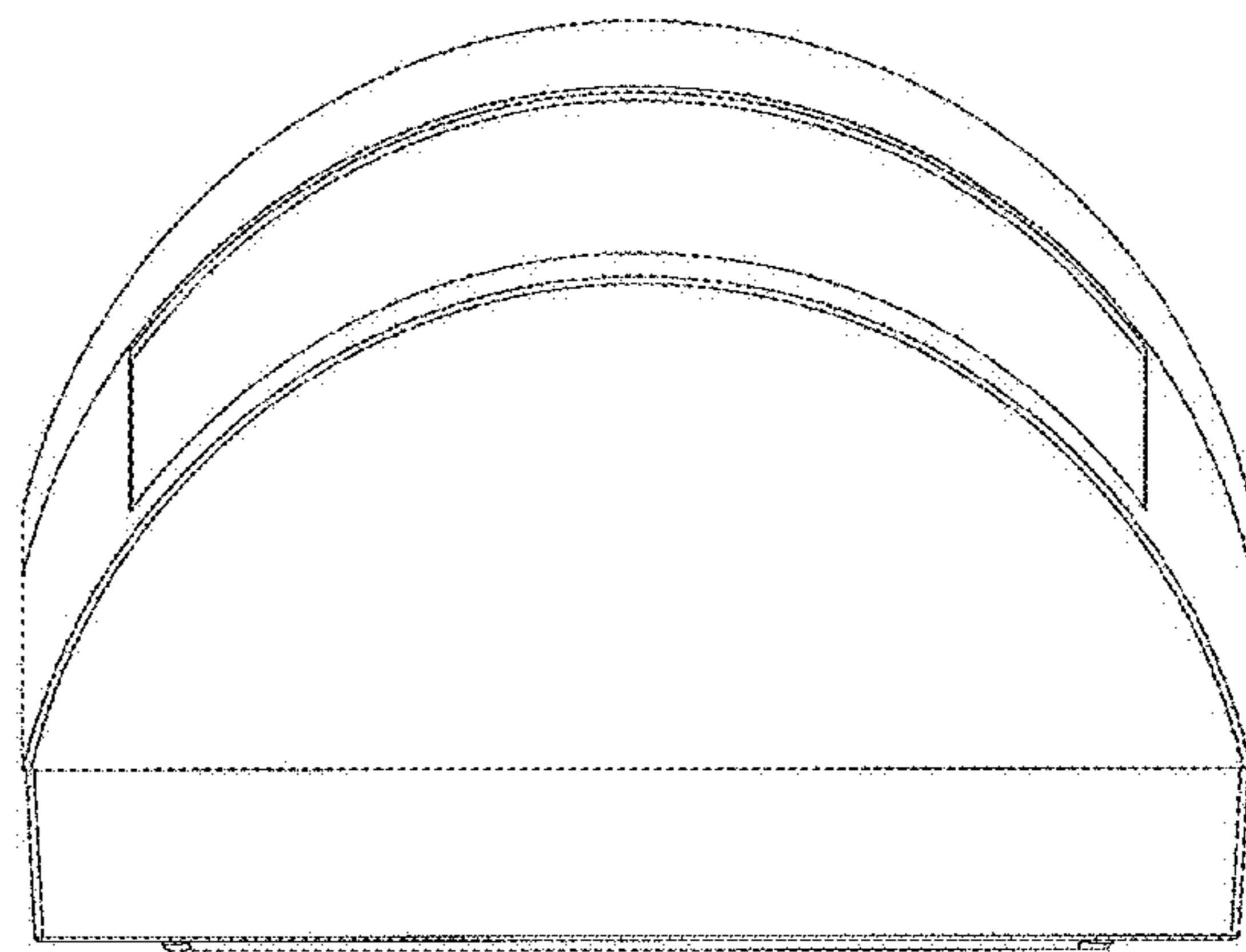
1.3



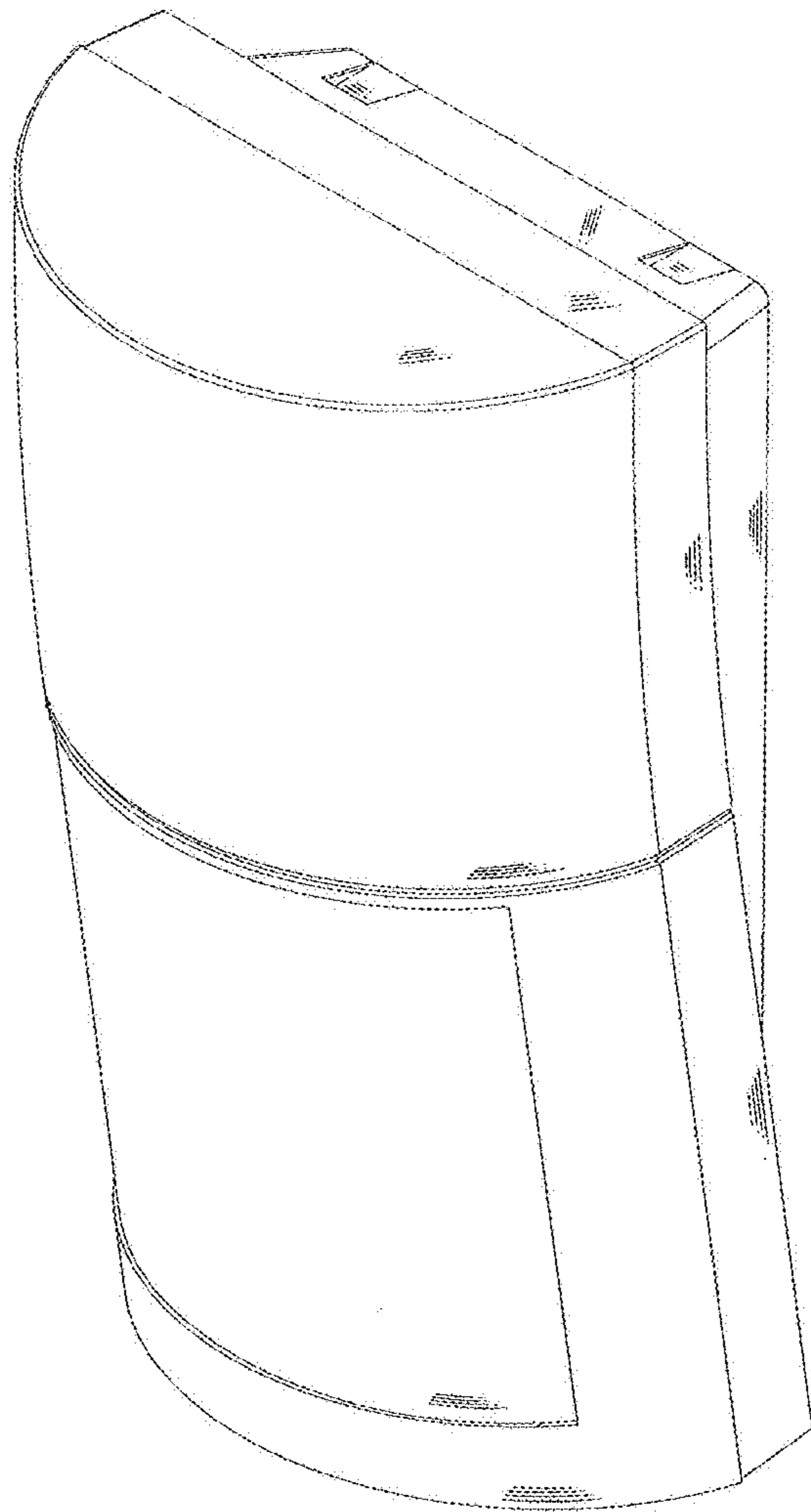
1.4



1.5

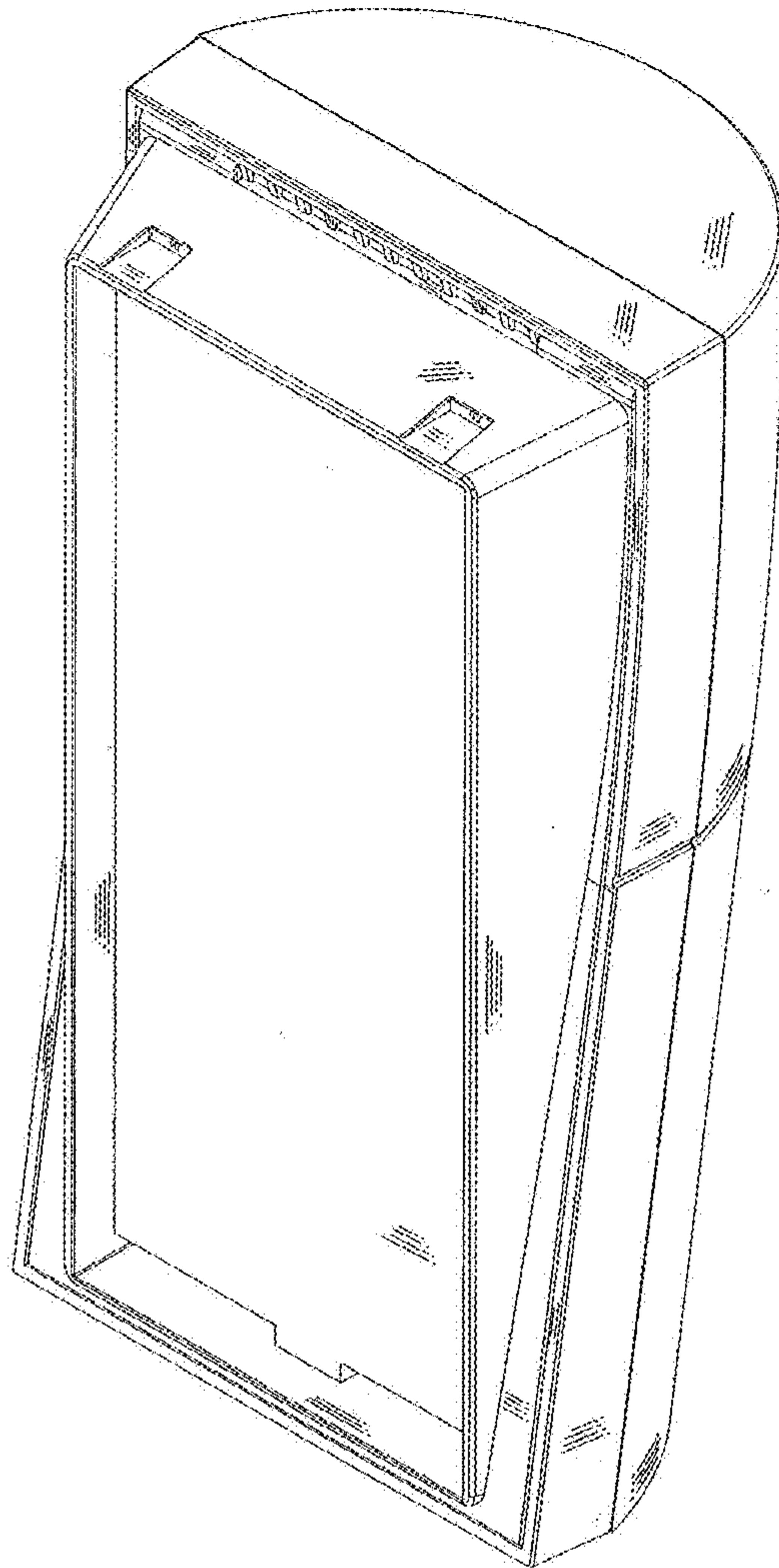


1.6





1.7



1.8

