

US00D937696S

(12) **United States Design Patent**  
**Nakai et al.**

(10) **Patent No.:** **US D937,696 S**  
(45) **Date of Patent:** **\*\* Dec. 7, 2021**

(54) **FLOW METER**

(71) Applicant: **Panasonic Intellectual Property Management Co., Ltd., Osaka (JP)**

(72) Inventors: **Hiroshi Nakai, Osaka-fu (JP); Kenta Uchida, Osaka-fu (JP); Kenji Yasuda, Kyoto-fu (JP)**

(73) Assignee: **Panasonic Intellectual Property Management Co., Ltd., Osaka (JP)**

(\*\*) Term: **15 Years**

(21) Appl. No.: **29/710,451**

(22) Filed: **Oct. 23, 2019**

(30) **Foreign Application Priority Data**

Jun. 25, 2019 (JP) ..... 2019-013980

(51) **LOC (13) Cl.** ..... **10-04**

(52) **U.S. Cl.**  
USPC ..... **D10/96**

(58) **Field of Classification Search**  
USPC ..... D10/96  
CPC ..... G01F 1/40; G01F 1/42; G01F 1/44; G01F 1/46; G01F 1/74; G01F 11/003; G01F 11/006; G01F 1/662; G01F 1/667; G01N 21/03; G01N 21/05; G01N 2021/0378; G01N 2021/0382; G01N 2021/052; G01N 2021/054; G01N 2021/056; G01N 2021/058

See application file for complete search history.

(56) **References Cited**

**U.S. PATENT DOCUMENTS**

D602,794 S \* 10/2009 Oshima ..... D10/96  
D602,795 S \* 10/2009 Oshima ..... D10/96

D609,591 S \* 2/2010 Oshima ..... D10/96  
D665,286 S \* 8/2012 Christianson ..... D10/96  
8,264,361 B2 \* 9/2012 Struyk ..... G01P 13/002  
340/603  
D694,140 S \* 11/2013 Betsinger ..... D10/96  
D752,461 S 3/2016 Oshima et al.  
D798,755 S \* 10/2017 Sugiyama ..... D10/96  
D832,123 S 10/2018 Nakai et al.

**FOREIGN PATENT DOCUMENTS**

JP 1390999 6/2010  
JP 1445992 7/2012  
JP 1475456 7/2013

\* cited by examiner

*Primary Examiner* — Antoine Duval Davis

(74) *Attorney, Agent, or Firm* — Crowell & Moring LLP

(57) **CLAIM**

We claim the ornamental design for a flow meter, as shown and described.

**DESCRIPTION**

FIG. 1 is a top-front perspective view of a flow meter of the present invention;  
FIG. 2 is a bottom-rear perspective view thereof;  
FIG. 3 is a front view thereof;  
FIG. 4 is a rear view thereof;  
FIG. 5 is a left side view thereof;  
FIG. 6 is a right side view thereof;  
FIG. 7 is a top view thereof; and,  
FIG. 8 is a bottom view thereof.

The ornamental design which is claimed is shown in solid lines in the drawings. The broken lines in the drawings form no part of the claimed design. Broken lines formed by equal length dashes show unclaimed subject matter. Broken lines formed of unequal length dashes (i.e., dash-dot) define bounds of the claimed design.

**1 Claim, 8 Drawing Sheets**

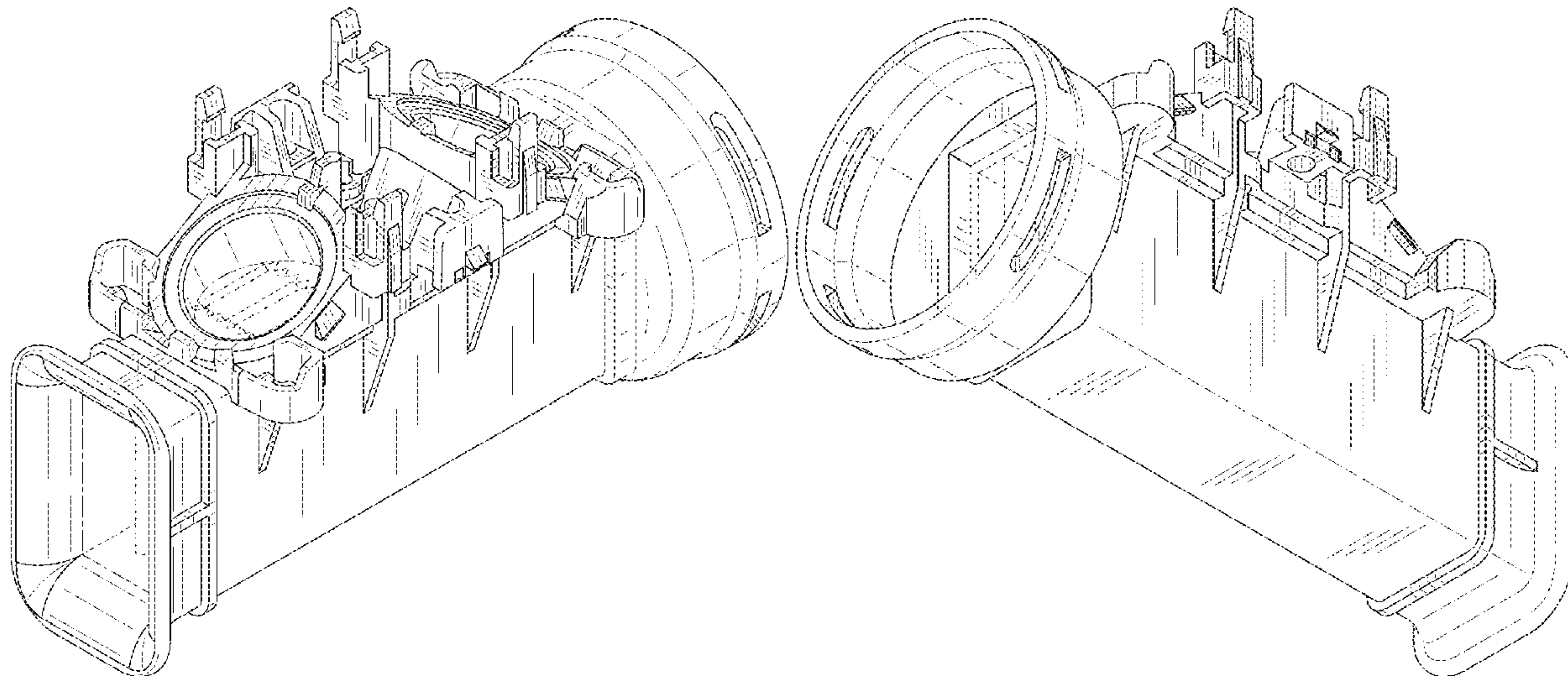


FIG. 1

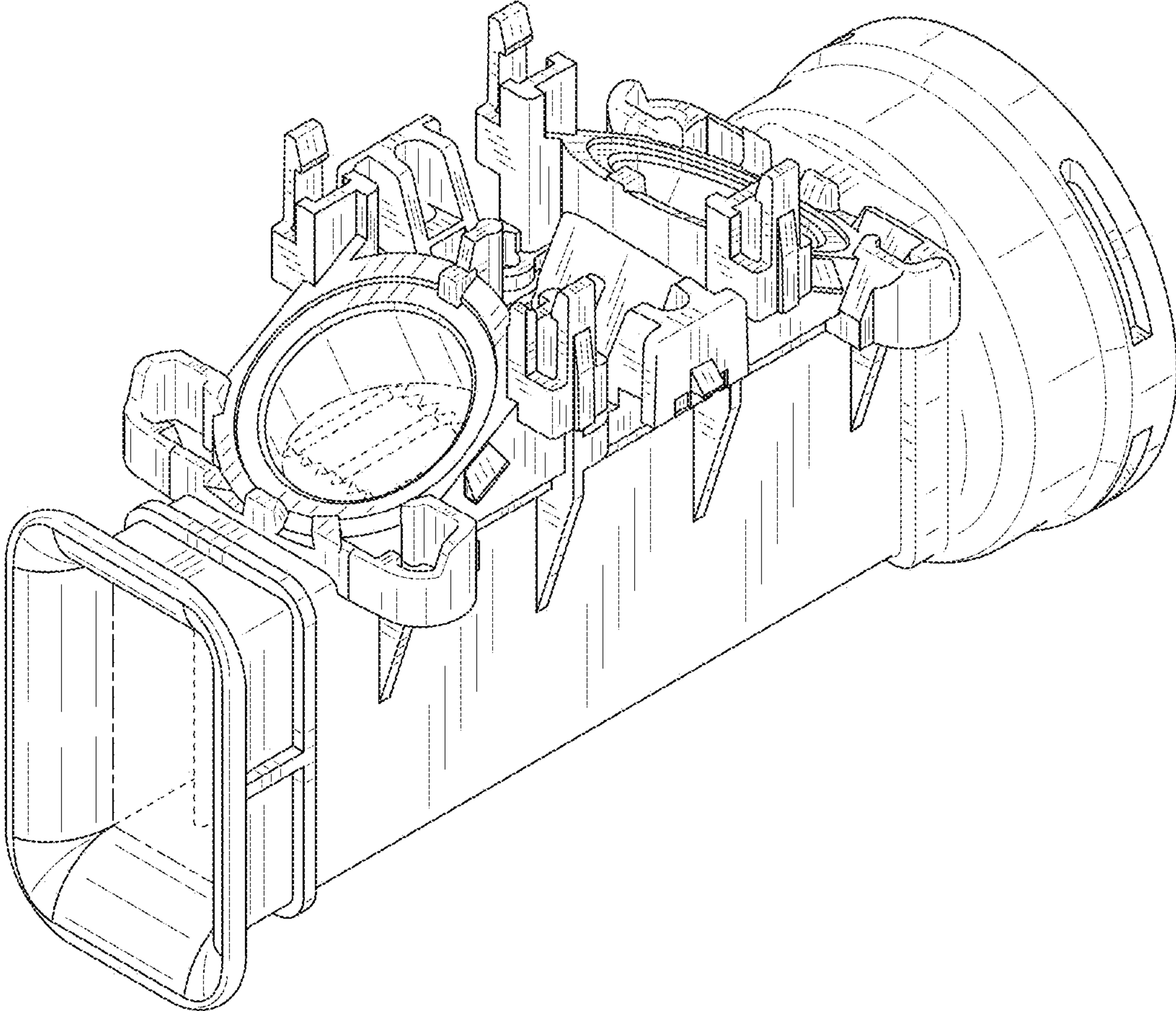


FIG. 2

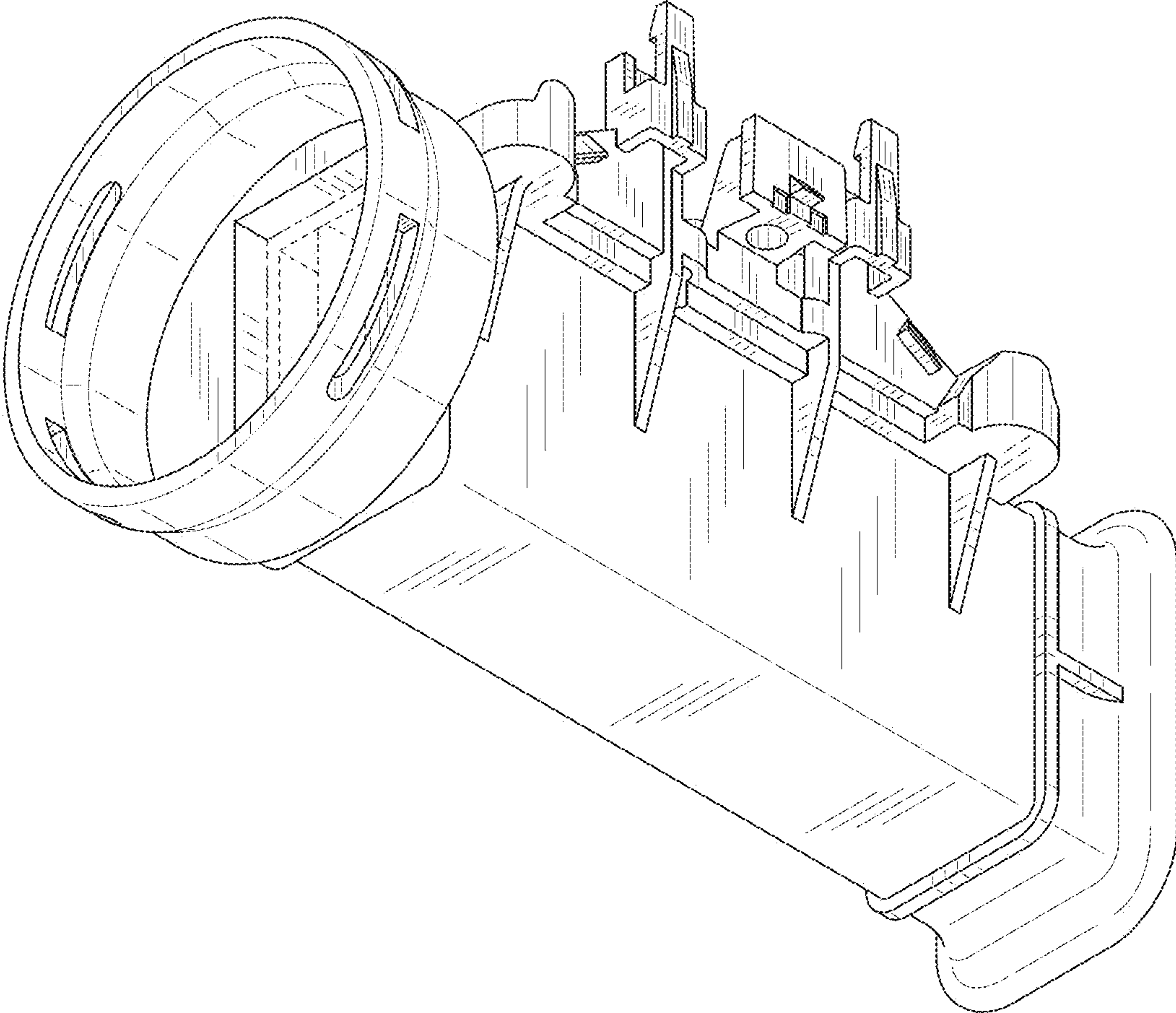




FIG. 3

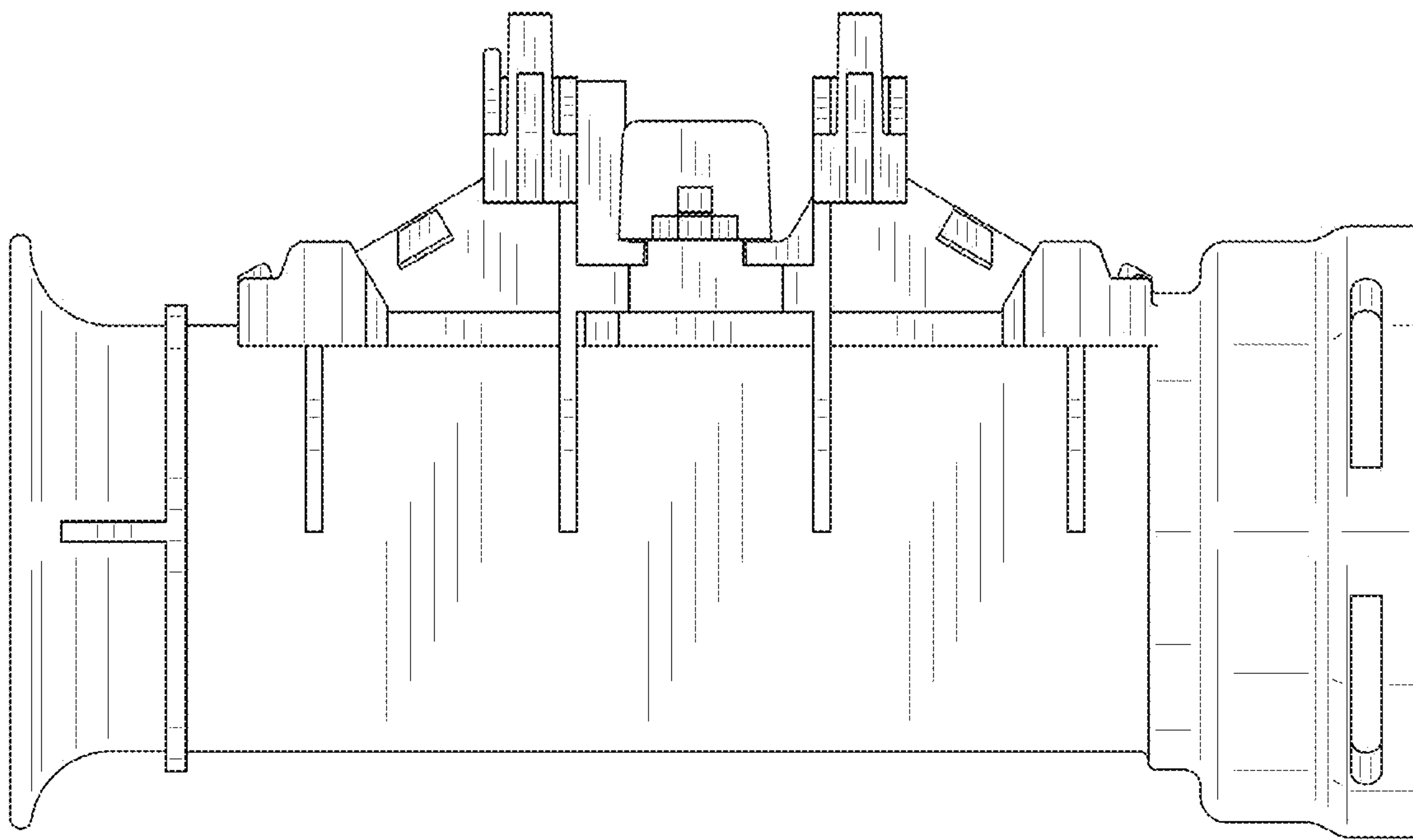


FIG. 4

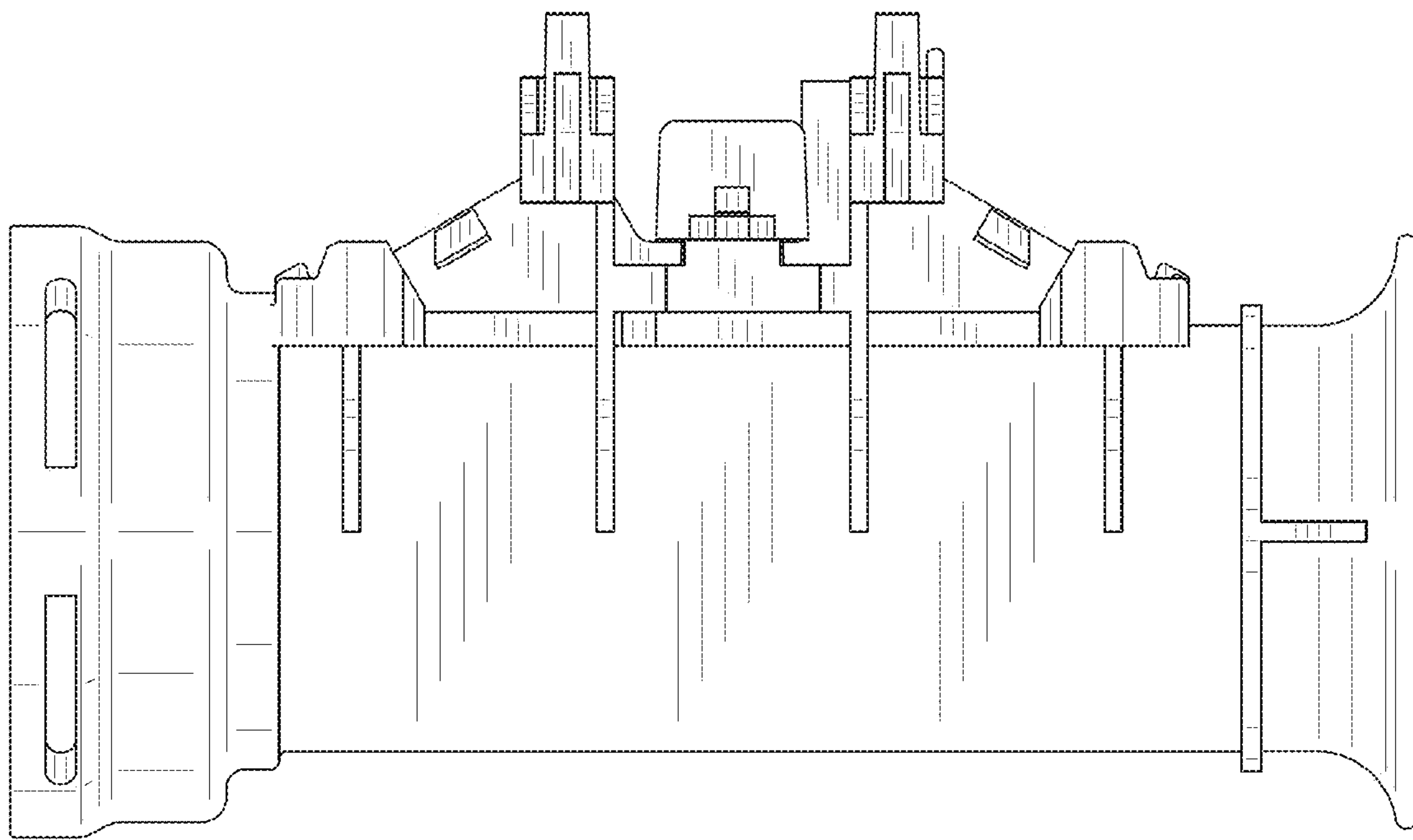


FIG. 5

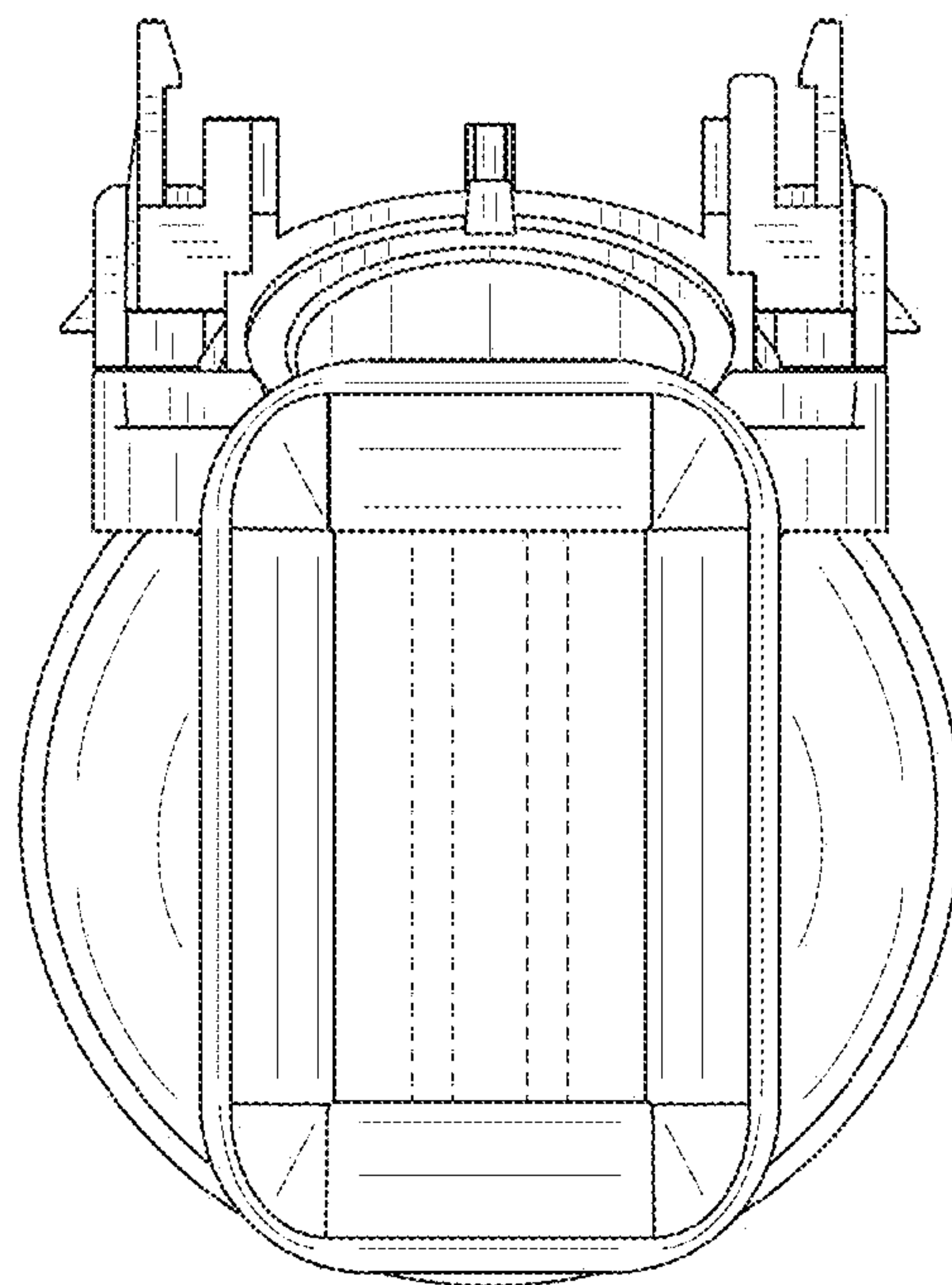


FIG. 6

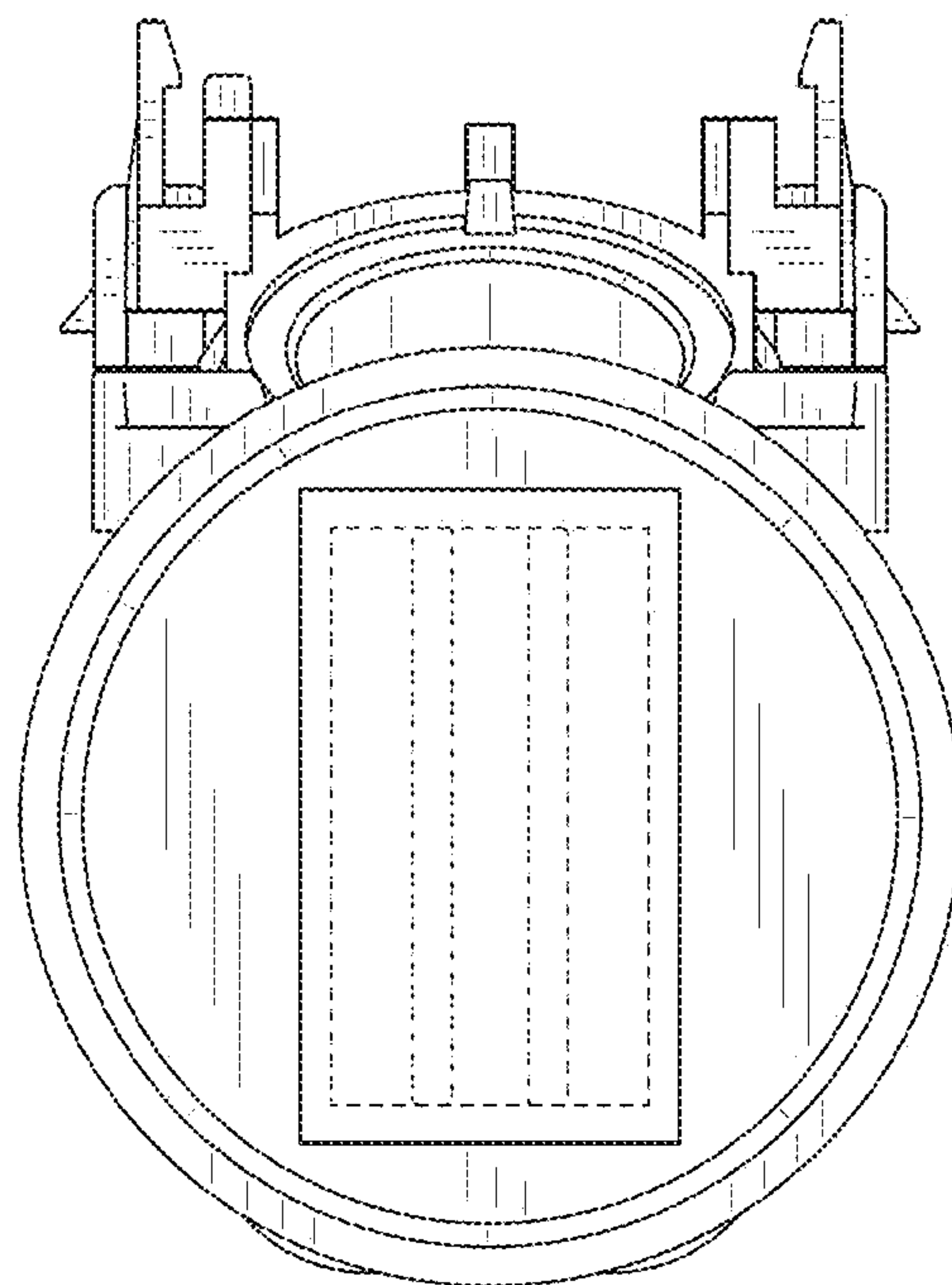


FIG. 7

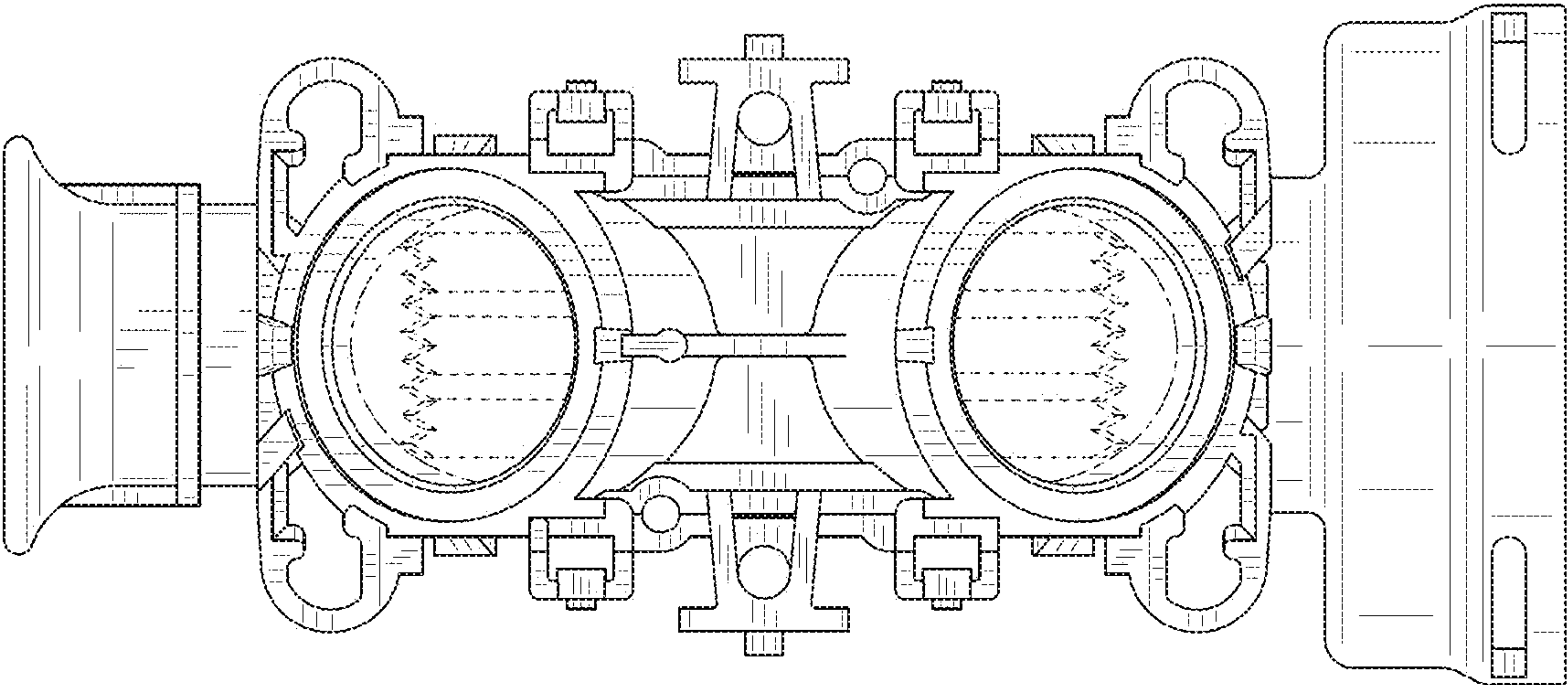




FIG. 8

