



US00D937695S

(12) **United States Design Patent** (10) **Patent No.:** **US D937,695 S**  
**Huang** (45) **Date of Patent:** **\*\* Dec. 7, 2021**

(54) **ELECTRONIC COFFEE SCALE**  
(71) Applicant: **Zhichao Huang**, Xinyi (CN)  
(72) Inventor: **Zhichao Huang**, Xinyi (CN)  
(\*\*) Term: **15 Years**  
(21) Appl. No.: **29/714,565**

D869,970 S \* 12/2019 Bodum ..... D10/91  
D884,527 S \* 5/2020 Yang ..... D10/91  
2018/0220833 A1\* 8/2018 Gross ..... G01G 19/00

**FOREIGN PATENT DOCUMENTS**

CN 304710135 \* 11/2017  
CN 305602366 \* 7/2019  
CN 305714352 \* 11/2019  
CN 306283604 \* 8/2020

(Continued)

(22) Filed: **Nov. 25, 2019**  
(51) **LOC (13) Cl.** ..... **10-04**  
(52) **U.S. Cl.**  
USPC ..... **D10/91; D10/87**

**OTHER PUBLICATIONS**

Amazon, Dash Smart Shelf, Date first available Jan. 23, 2021, [online]retrieved Jun. 11, 2021, available from [https://www.amazon.com/Dash-Smart-Shelf/dp/B07RRYWPPX/ref=sr\\_1\\_3?dchild=1&keywords=kitchen%2Bsmart%2Bscale&qid=1623434030&s=amazon-devices&sr=1-3&th=1](https://www.amazon.com/Dash-Smart-Shelf/dp/B07RRYWPPX/ref=sr_1_3?dchild=1&keywords=kitchen%2Bsmart%2Bscale&qid=1623434030&s=amazon-devices&sr=1-3&th=1) (Year: 2021).\*

(Continued)

(58) **Field of Classification Search**  
USPC ..... D10/91, 92, 46, 83, 87  
CPC ..... G01G 21/286; G01G 21/00; G01G 21/28;  
G01G 21/30; G01G 23/3728; G01G  
23/3735; G01G 19/44; G01G 3/14; G01G  
19/46; G01G 19/48; G01G 19/50; G01G  
21/44; G01G 19/414; G01G 19/4144;  
G01G 19/42; F16F 1/123; A61B 5/053;  
A61B 5/4872; A61B 5/0537; A61B  
5/4869; A61B 5/6825; A61B 5/6829;  
A61B 5/7445; G06Q 20/3678; G06Q  
20/387; G06Q 20/065; G06Q 20/36;  
G06Q 20/06; G09B 19/00

*Primary Examiner* — Keli L Hill  
*Assistant Examiner* — Sara S Sahneh

(57) **CLAIM**

The ornamental design for an electronic coffee scale, as shown and described.

See application file for complete search history.

**DESCRIPTION**

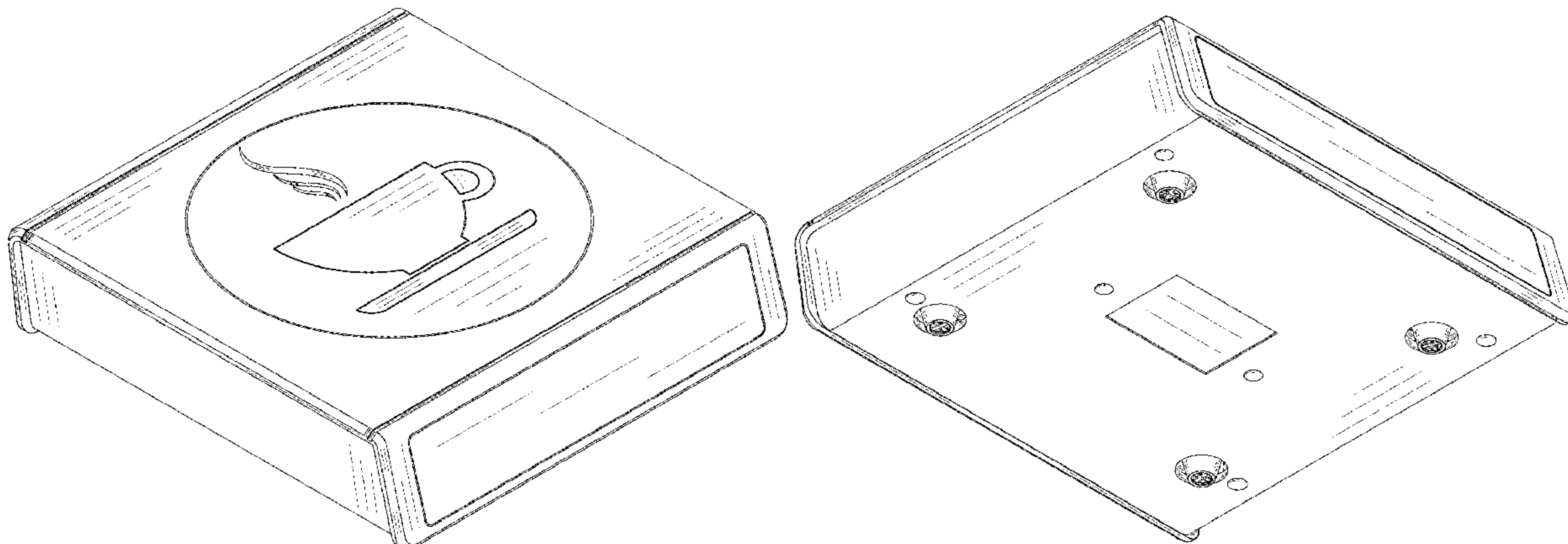
(56) **References Cited**

**U.S. PATENT DOCUMENTS**

D499,972 S \* 12/2004 van de Wiel ..... D10/92  
D546,221 S \* 7/2007 Barnes ..... D10/91  
D578,913 S \* 10/2008 Crickmore ..... D10/92  
D587,609 S \* 3/2009 Marmier ..... D10/91  
D596,518 S \* 7/2009 Kesselman ..... D10/91  
D669,378 S \* 10/2012 Pan ..... D10/91  
D679,208 S \* 4/2013 Depauw ..... D10/91  
D836,473 S \* 12/2018 Chavara ..... D10/91  
D845,800 S \* 4/2019 Lee ..... D10/91  
D852,075 S \* 6/2019 Huang ..... D10/91

FIG. 1 is a front view of an electronic coffee scale, showing my new design;  
FIG. 2 is a back view thereof;  
FIG. 3 is a left side view thereof;  
FIG. 4 is a right side view thereof;  
FIG. 5 is a top view thereof;  
FIG. 6 is a bottom view thereof;  
FIG. 7 is a perspective view thereof; and,  
FIG. 8 is another perspective view thereof.  
The broken lines in figures are shown for the purpose of illustrating portions of the electronic coffee scale and forms no part of the claimed design.

**1 Claim, 8 Drawing Sheets**



(56)

**References Cited**

FOREIGN PATENT DOCUMENTS

GB	6001497	* 10/2016
JP	D1469280	* 9/2012

OTHER PUBLICATIONS

Reflex, Digital smart food kitchen baking postal Scale, Date first available Dec. 20, 2013, [online]retrieved Jun. 11, 2021, available from [https://www.amazon.com/ReFleX-Wireless-Bluetooth-Smart-Scale/dp/B00HFH5AX8/ref=pd\\_sbs\\_2/134-384pd\\_rd\\_w=ksHAI&pf\\_rd\\_p=a5925d26-9630-40f3-a011-d858608ac88b&pf\\_rd\\_r=2T](https://www.amazon.com/ReFleX-Wireless-Bluetooth-Smart-Scale/dp/B00HFH5AX8/ref=pd_sbs_2/134-384pd_rd_w=ksHAI&pf_rd_p=a5925d26-9630-40f3-a011-d858608ac88b&pf_rd_r=2T) (Year: 2013).\*

Reflex, Smart Chef Pocket Smart Food Scale, Date first available Aug. 15, 2016, [online]retrieved Jun. 11, 2021, available from [https://www.amazon.com/reflex-Smart-Chef-Pocket-Scale/dp/B01HVYEVU2/ref=sr\\_1\\_154?crd=IU1E44SKTGCL&dchild=1&keywords=kitchen+smart+scale&qid=1623433250&sprefix=KITCHEN+smart+scal](https://www.amazon.com/reflex-Smart-Chef-Pocket-Scale/dp/B01HVYEVU2/ref=sr_1_154?crd=IU1E44SKTGCL&dchild=1&keywords=kitchen+smart+scale&qid=1623433250&sprefix=KITCHEN+smart+scal) (Year: 2016).\*

\* cited by examiner

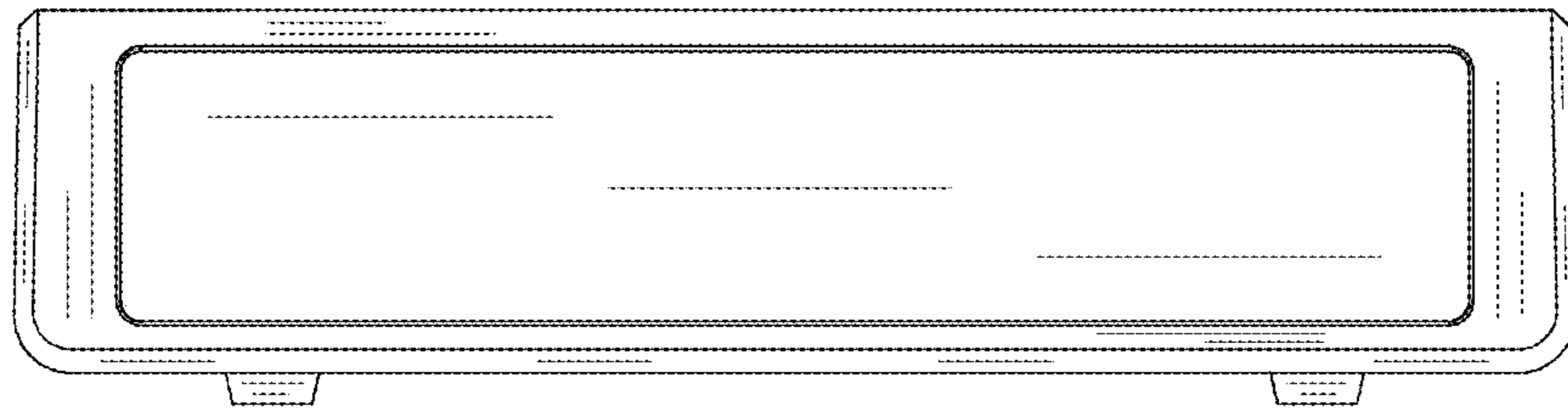


FIG. 1

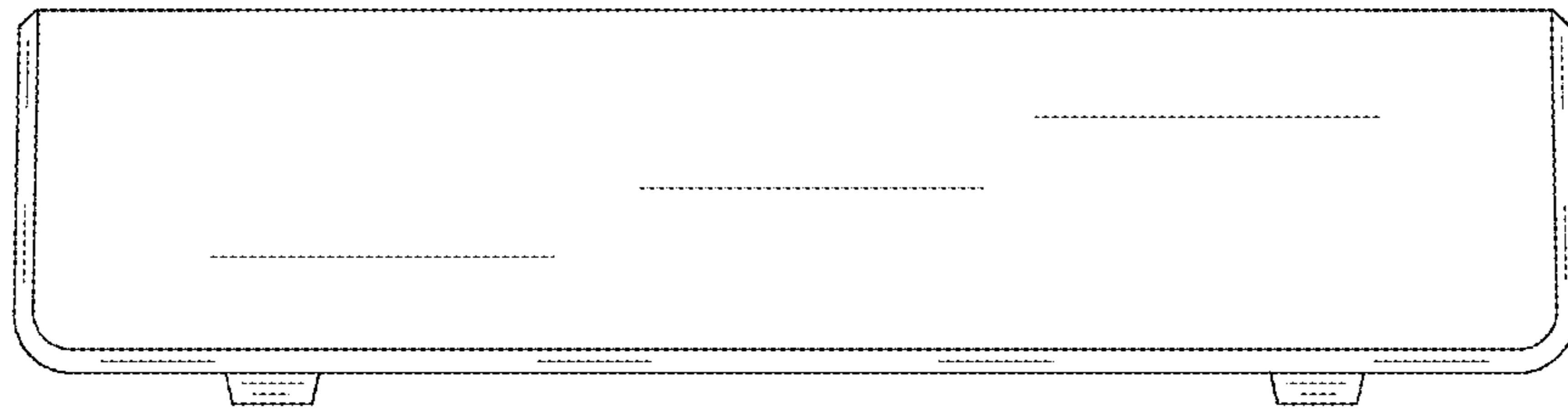


FIG. 2

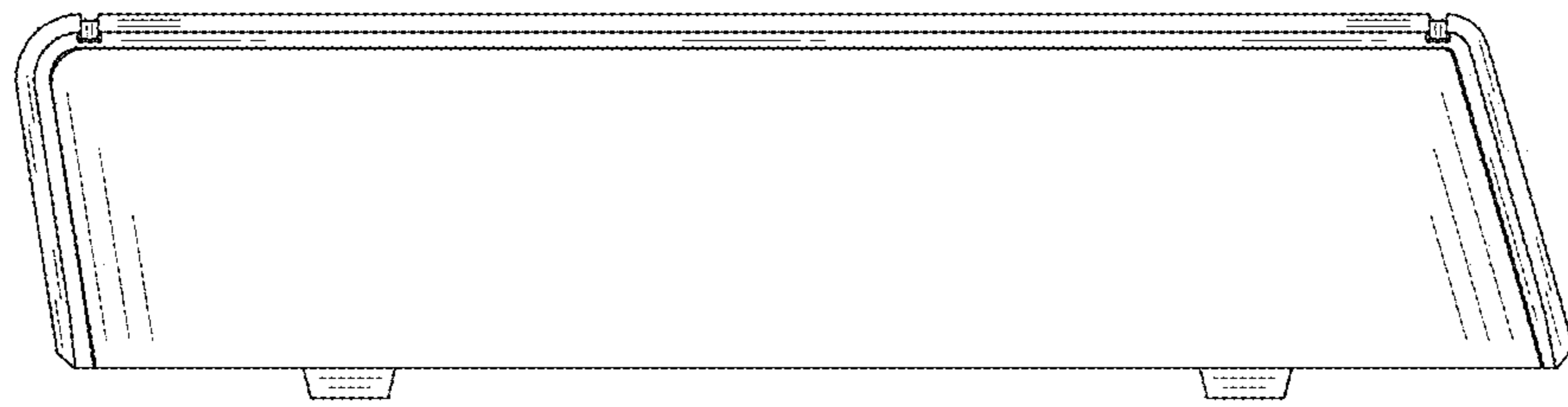


FIG. 3

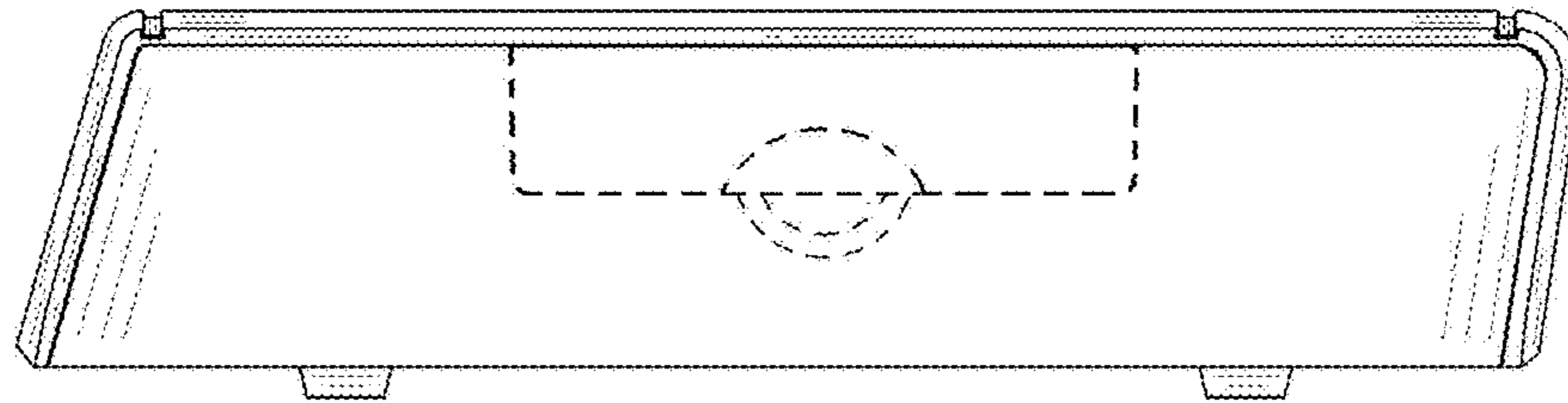


FIG. 4



FIG. 5

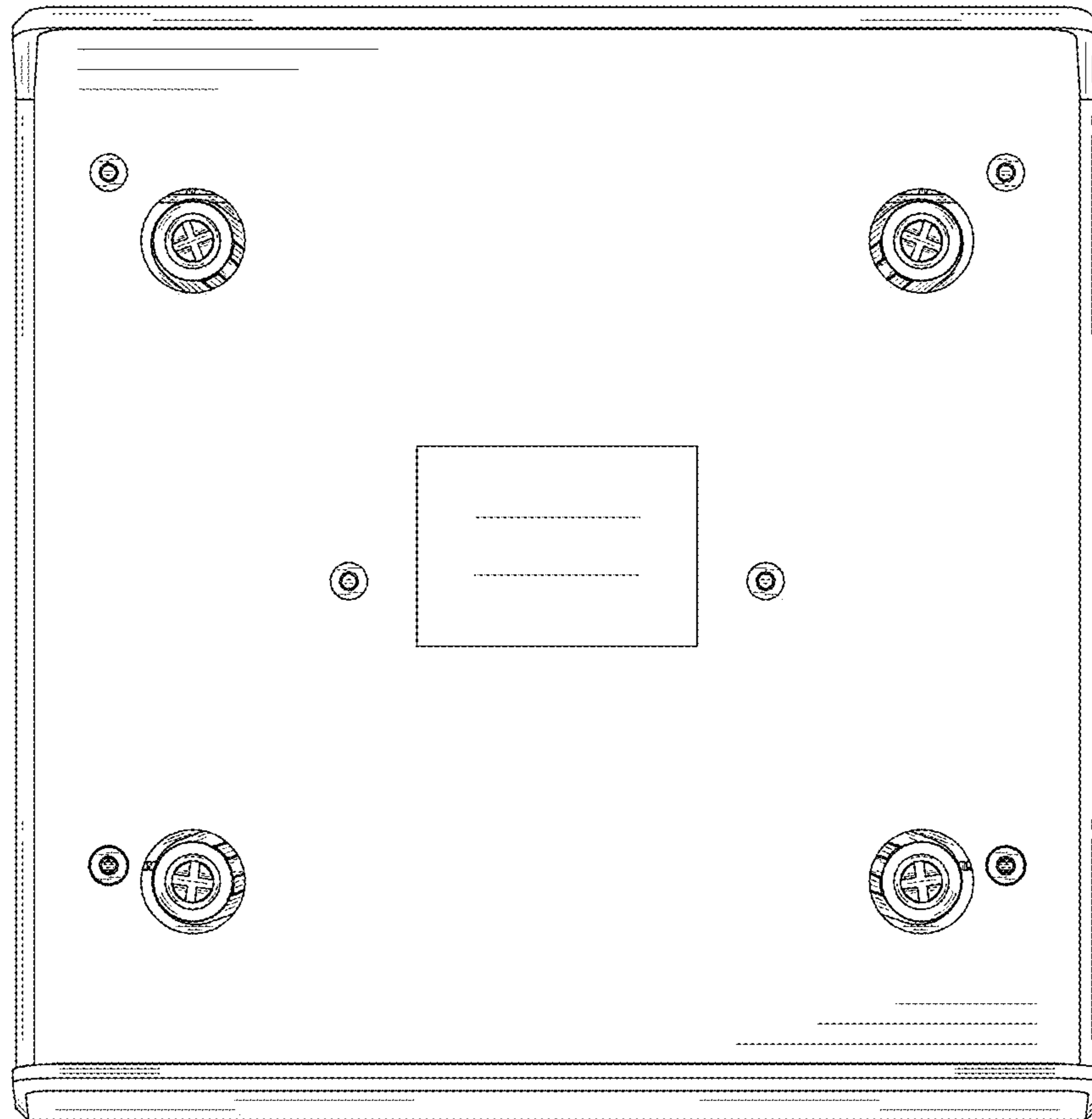


FIG. 6



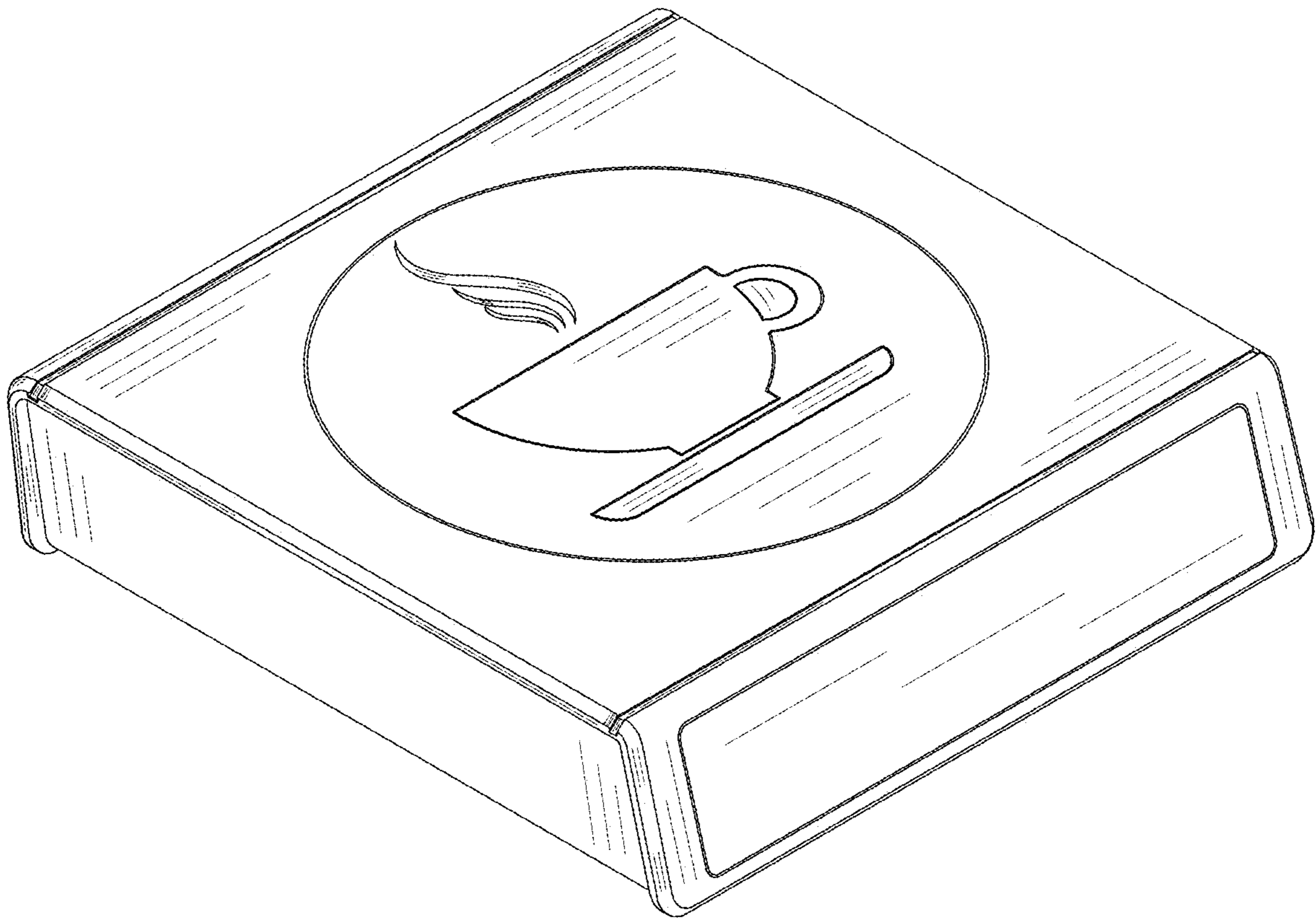


FIG. 7

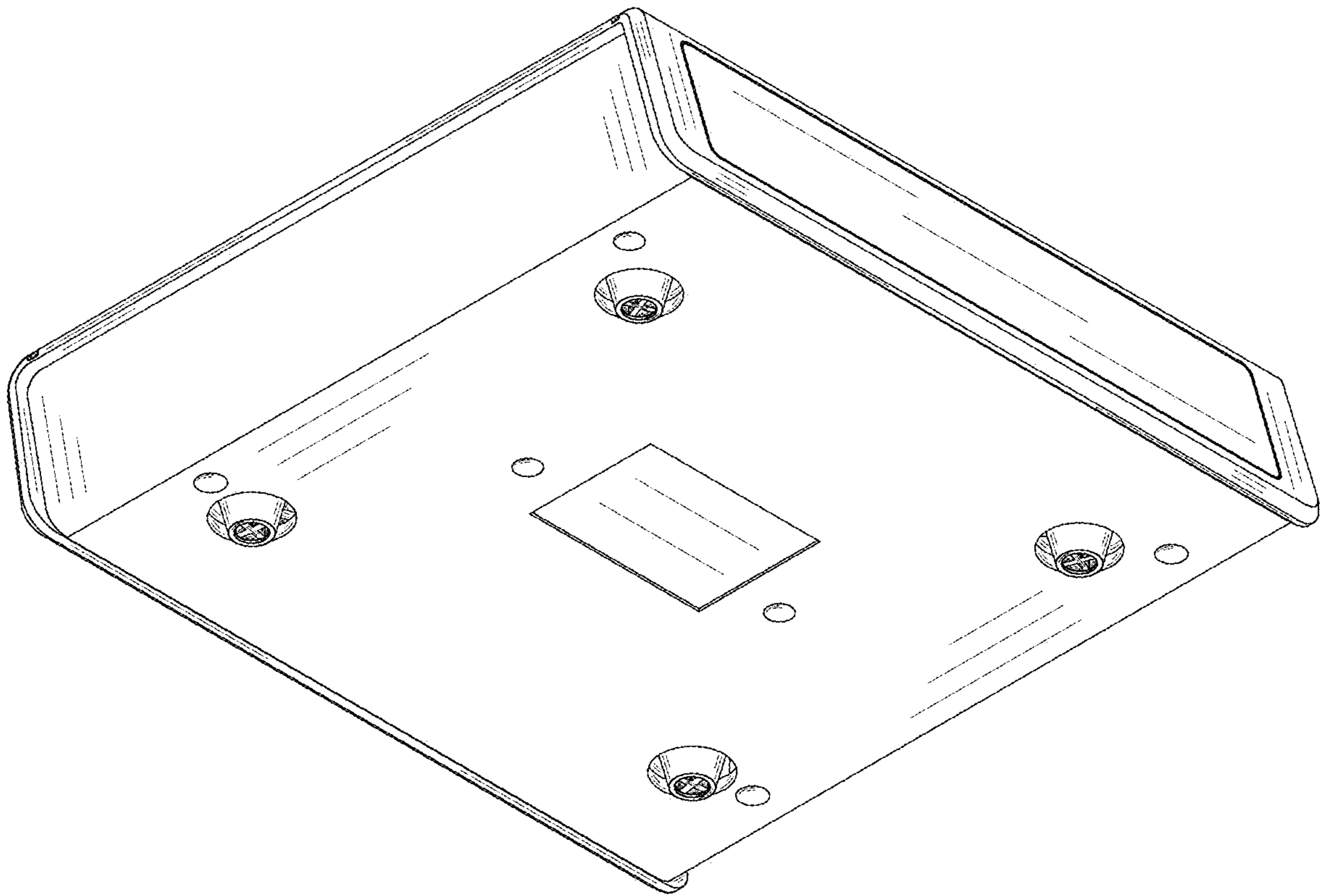


FIG. 8