



US00D937693S

(12) **United States Design Patent** (10) **Patent No.:** **US D937,693 S**
Lu (45) **Date of Patent:** **** Dec. 7, 2021**

(54) **BATTERY TESTER**

2003/1069; G01R 22/065; G01R 11/00;
(Continued)

(71) Applicant: **AUTEL INTELLIGENT TECHNOLOGY CORP. LTD.,**
Guangdong (CN)

(56) **References Cited**

U.S. PATENT DOCUMENTS

(72) Inventor: **Boming Lu,** Guangdong (CN)

D460,923 S * 7/2002 Chen D10/52
D625,209 S * 10/2010 Chen D10/78

(Continued)

(73) Assignee: **AUTEL INTELLIGENT TECHNOLOGY CORP., LTD.,**
Shenzhen (CN)

FOREIGN PATENT DOCUMENTS

(**) Term: **15 Years**

CN 303118818 * 9/2014
CN 305633084 * 9/2019

(Continued)

(21) Appl. No.: **29/724,619**

OTHER PUBLICATIONS

(22) Filed: **Feb. 18, 2020**

Autool Store, Automotive Battery Load Tester, Date first available Oct. 13, 2020, [online]retrieved Feb. 23, 2021, available from https://www.amazon.com/dp/B08L4XSH5K/ref=sspa_dk_detail_4psc=1&pd_rd_i=B08L4XSH5K&pd_rd_w=ixB7p&pf_rd_p=4269e1a0-a218-4fbd-97481cd337d2f2a5&pd_rd_wg=dxES2&pf_rd_r=04C6DEX8XVXB8YS9 (Year: 2020).*

(Continued)

(30) **Foreign Application Priority Data**

Aug. 16, 2019 (CN) 201930446663.X

(51) **LOC (13) Cl.** **10-05**

(52) **U.S. Cl.**

USPC **D10/77; D10/75**

(58) **Field of Classification Search**

USPC D10/46, 61, 70-80, 52, 53, 65, 69;
33/701, 771, 751, 767, 762, 755, 758,
33/761, 700, 285, 703, 756; 324/426,
324/427, 428, 429, 430, 431, 432, 433,
324/434, 435, 436, 437; 701/33.3, 31.4,
701/29.6, 34.4, 32.7, 32.8, 833.2, 31.2,
701/29.1, 99, 101, 102, 115; 702/81;
705/26.9

CPC A63B 67/068; G01B 3/1005; G01B
2003/1012; G01B 3/1003; G01B 3/10;
G01B 3/1007; G01B 2003/1058; G01B
3/1041; G01B 3/102; G01B 1/00; G01B
2003/1097; G01B 3/11; G01B 3/1069;
G01B 3/1061; G01B 11/26; G01B

Primary Examiner — Keli L Hill

Assistant Examiner — Sara S Sahneh

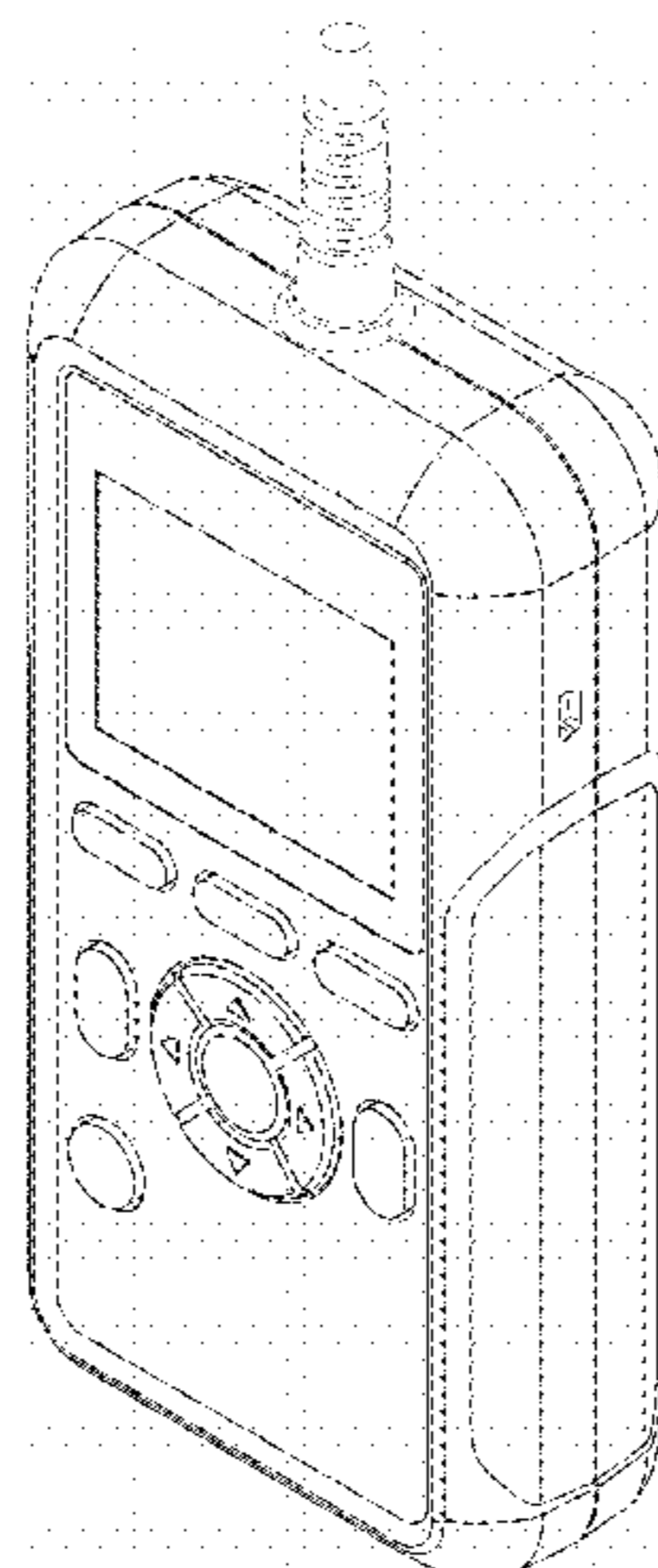
(57) **CLAIM**

I claim the ornamental design for a battery tester, as shown and described.

DESCRIPTION

FIG. 1 is a front elevational view of a battery tester showing my new design;
FIG. 2 is a back elevational view thereof;
FIG. 3 is a right side elevational view thereof;
FIG. 4 is a left side elevational view thereof;
FIG. 5 is a top plan view thereof;
FIG. 6 is a bottom plan view thereof; and,
FIG. 7 is a perspective view thereof.

(Continued)



The broken lines in the drawings are shown for the purpose of illustrating portions of the battery tester and form no part of the claimed design.

1 Claim, 6 Drawing Sheets

(58) Field of Classification Search

CPC G01R 11/04; G01R 13/02; G01R 1/025; G01R 15/125; G01R 1/04; G01R 31/3648; G01R 31/3693; G01R 31/3627; G01R 31/007; H04Q 9/00; G08B 3/00; G01D 18/008; G01D 5/00; G01K 15/005; H04L 67/303; H04L 67/12; G05B 19/0426; G05B 2219/25428; G08C 17/02; H04B 10/114; H04B 10/11; G01C 15/004; G01C 15/00; G01C 15/002; G01C 15/06; G02B 7/001; Y10T 29/49826; G01M 15/102; G01M 17/00; G07C 5/0808; G07C 2205/02; G07C 5/02; G06F 1/166; G06F 1/1656; G06F 1/1626; G06F 1/1609; G06F 1/637; G06F 3/03547; H01R 13/7175; H01R 13/639; H01R 13/7172; H01R 13/6691; H01R 13/6275; H01R 2201/26; H01R 12/57; H01R 13/629; F02D 15/00; H05K 5/0247; H05K 1/181; H05K 2201/10545

See application file for complete search history.

(56) References Cited

U.S. PATENT DOCUMENTS

D646,599 S * 10/2011 Chen D10/78
 D684,073 S * 6/2013 Elrod D10/78

D692,335 S * 10/2013 Waaler D10/81
 D704,579 S * 5/2014 Heishi D10/78
 D710,718 S * 8/2014 Ichihashi D10/81
 D779,350 S * 2/2017 Shen D10/78
 D839,113 S * 1/2019 Xie D10/78
 D846,413 S * 4/2019 Wang D10/78
 D881,046 S * 4/2020 Shao D10/70
 2006/0161390 A1 * 7/2006 Namaky G07C 5/0808
 702/183
 2014/0042294 A1 * 2/2014 Marzynski F16M 13/022
 248/693

FOREIGN PATENT DOCUMENTS

EM 007134465-0002 * 10/2019
 EM 007490131-0002 * 1/2020
 EM 007694609-0003 * 2/2020
 EM 008305585-0002 * 12/2020

OTHER PUBLICATIONS

Autool Store BT-460 Battery Tester, Date first available Jun. 16, 2015, [online]retrieved Feb. 23, 2021,available from [Autel Store, OBD2 Scanner, Date first available Mar. 25, 2015, \[online\]retrieved Feb. 23, 2021,available from \[* cited by examiner\]\(https://www.amazon.com/dp/B07PR3BNX3/ref=sspa_dk_detail_3psc=1&pd_rd_i=B07PR3BNX3&pd_rd_w=HAg2i&pf_rd_p=cbc856ed-1371-4f23-b89d-d3fb30edf66d&pd_rd_wg=ilq7z&pf_rd_r=XAWM6W26J1MCXS22MFFB&pd_rd_r=1aa21094- \(Year: 2015\).*</p>
</div>
<div data-bbox=\)](https://www.amazon.com/BT-460-Lead-Acid-Colorful-Analyzer-Vehicles/dp/B00ZRAFH5G/ref=pd_di_sccai_25?pd_rd_w=wDcXd&pf_rd_p=C9443270- (Year: 15).*</p>
</div>
<div data-bbox=)

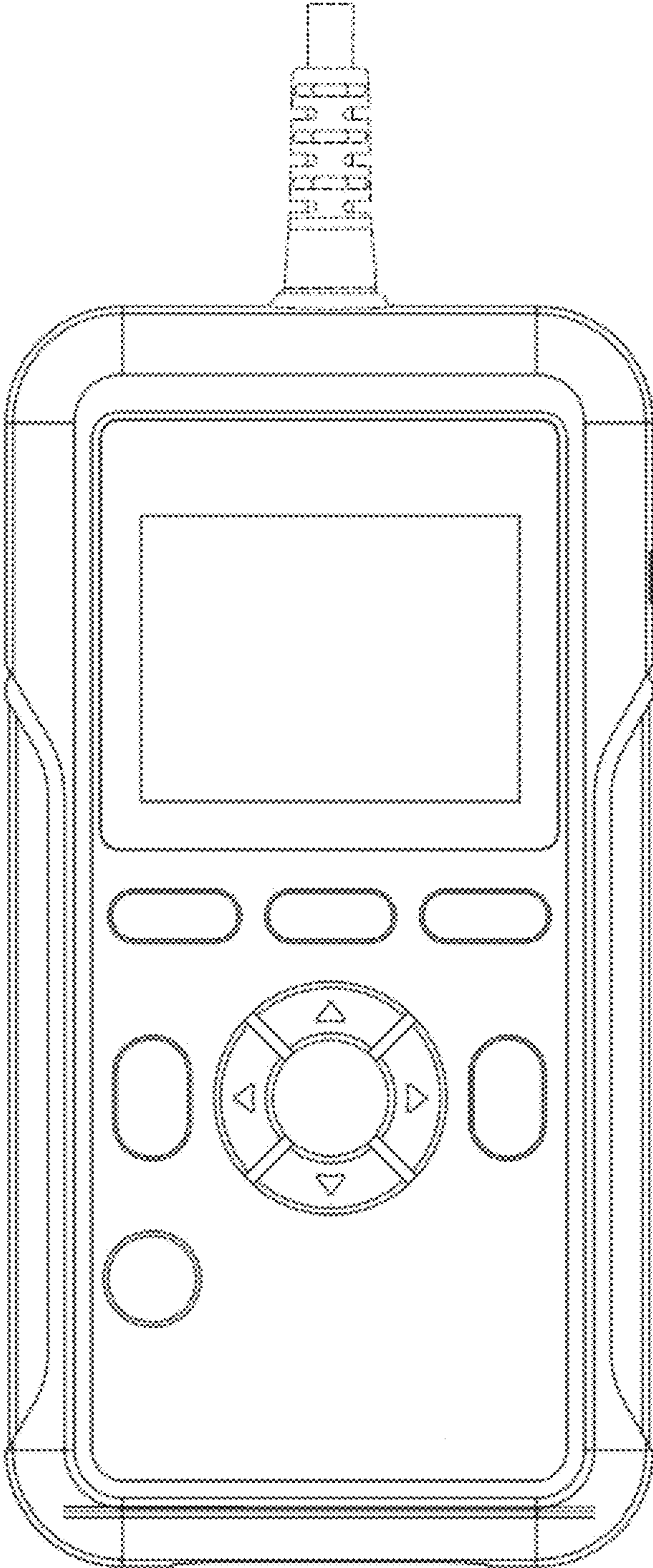


FIG.1

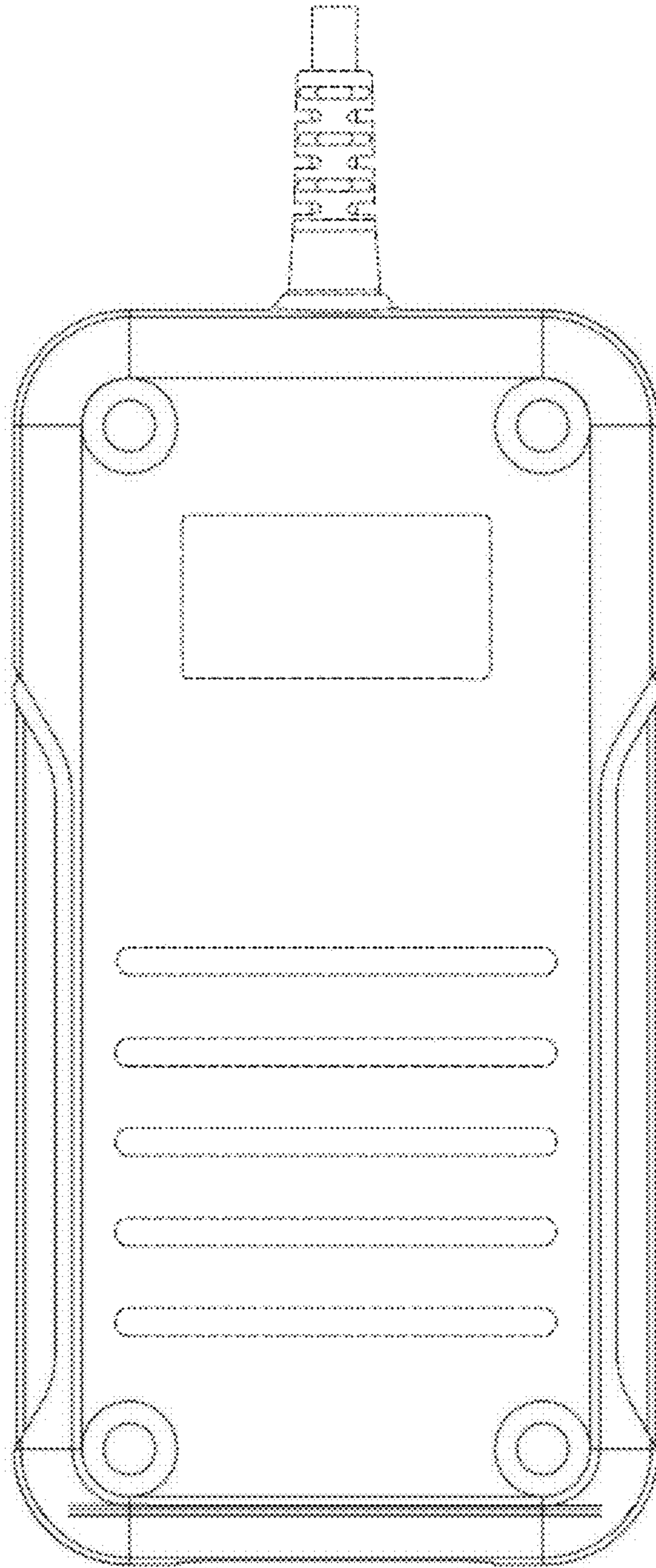


FIG.2

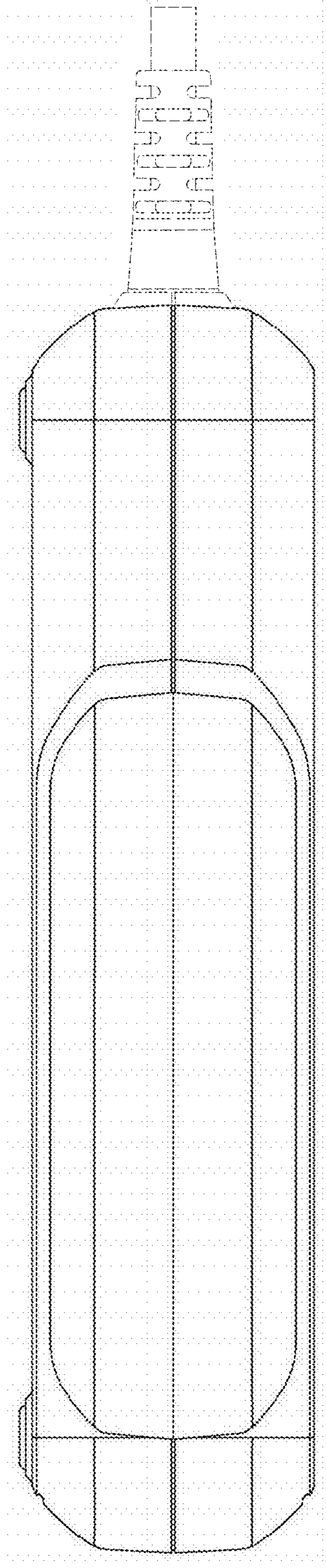


FIG.3

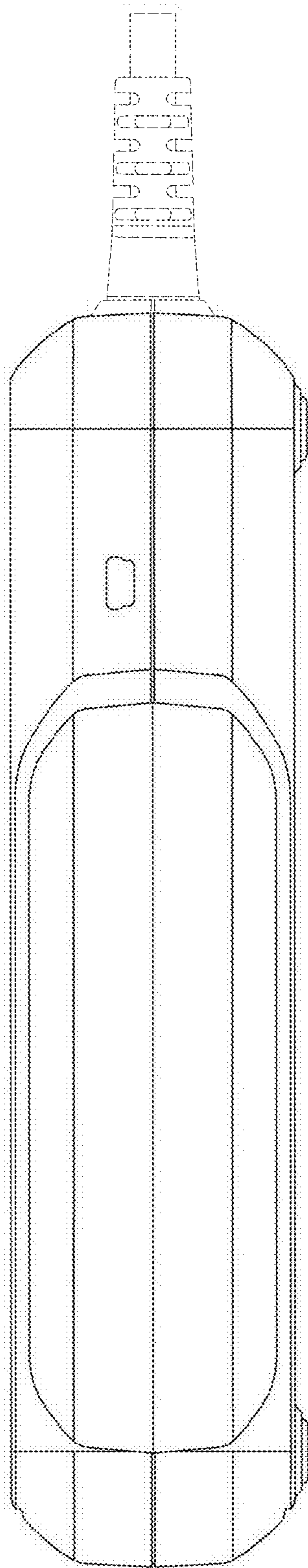


FIG.4

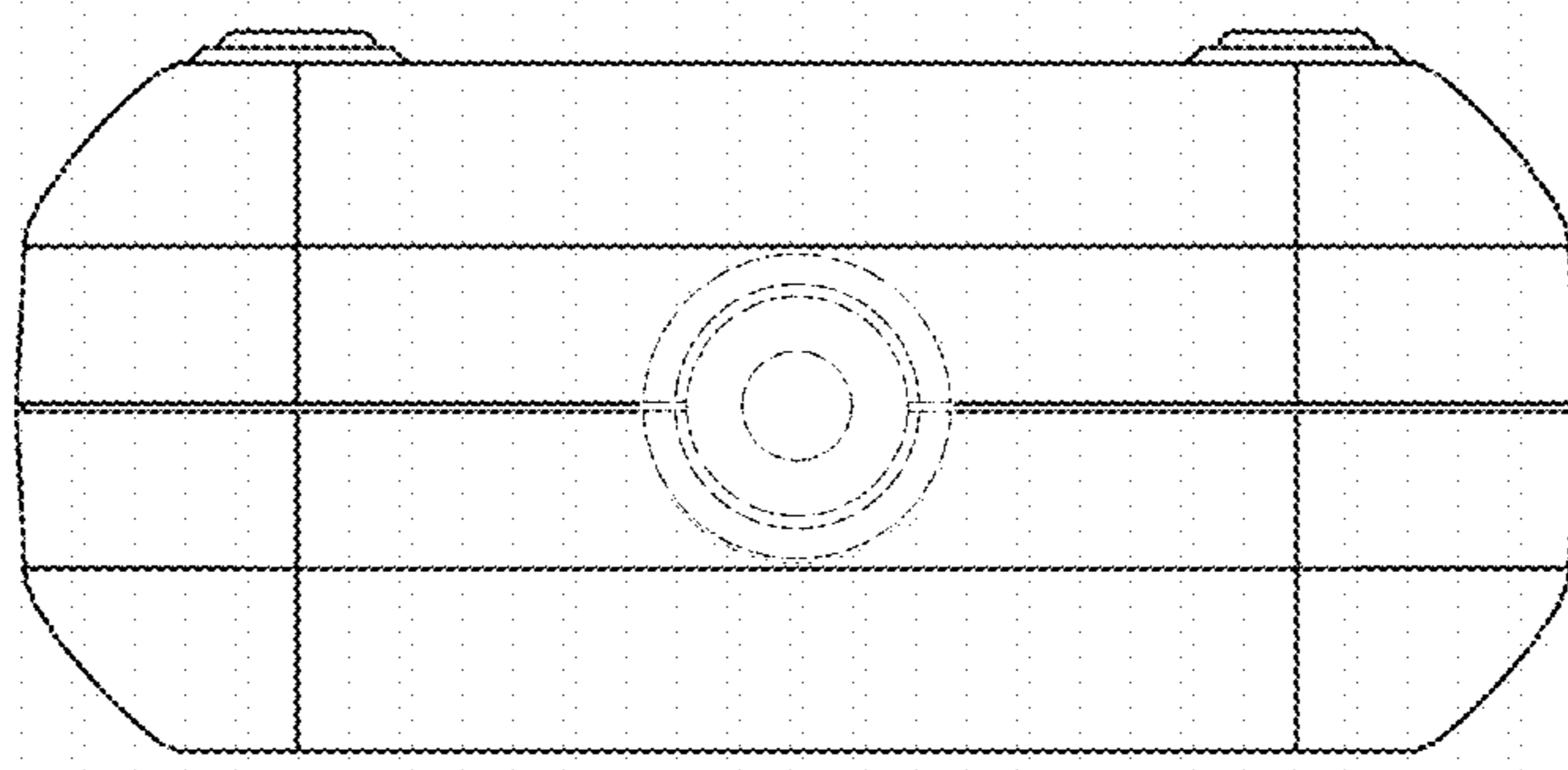


FIG.5

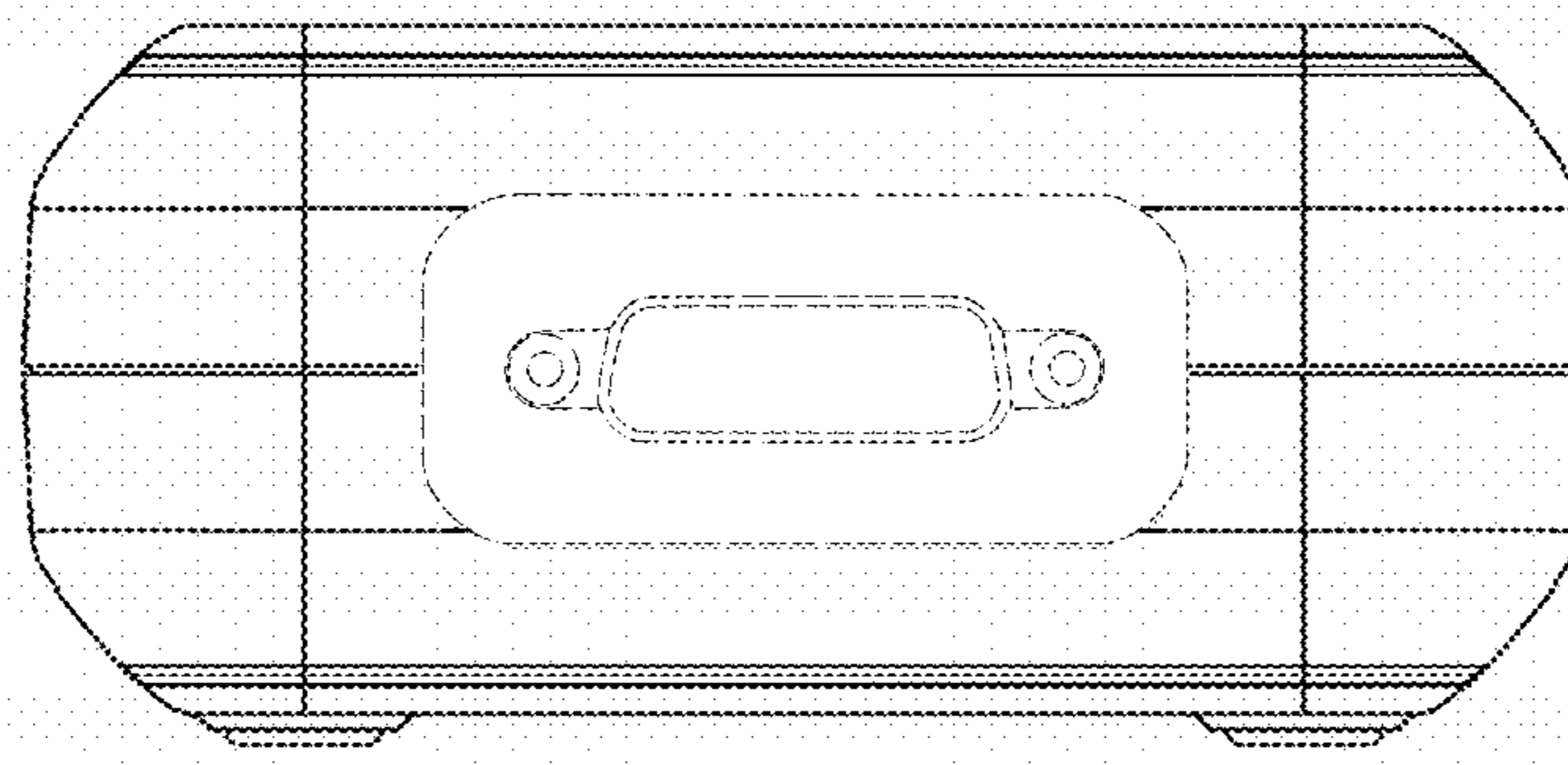


FIG.6

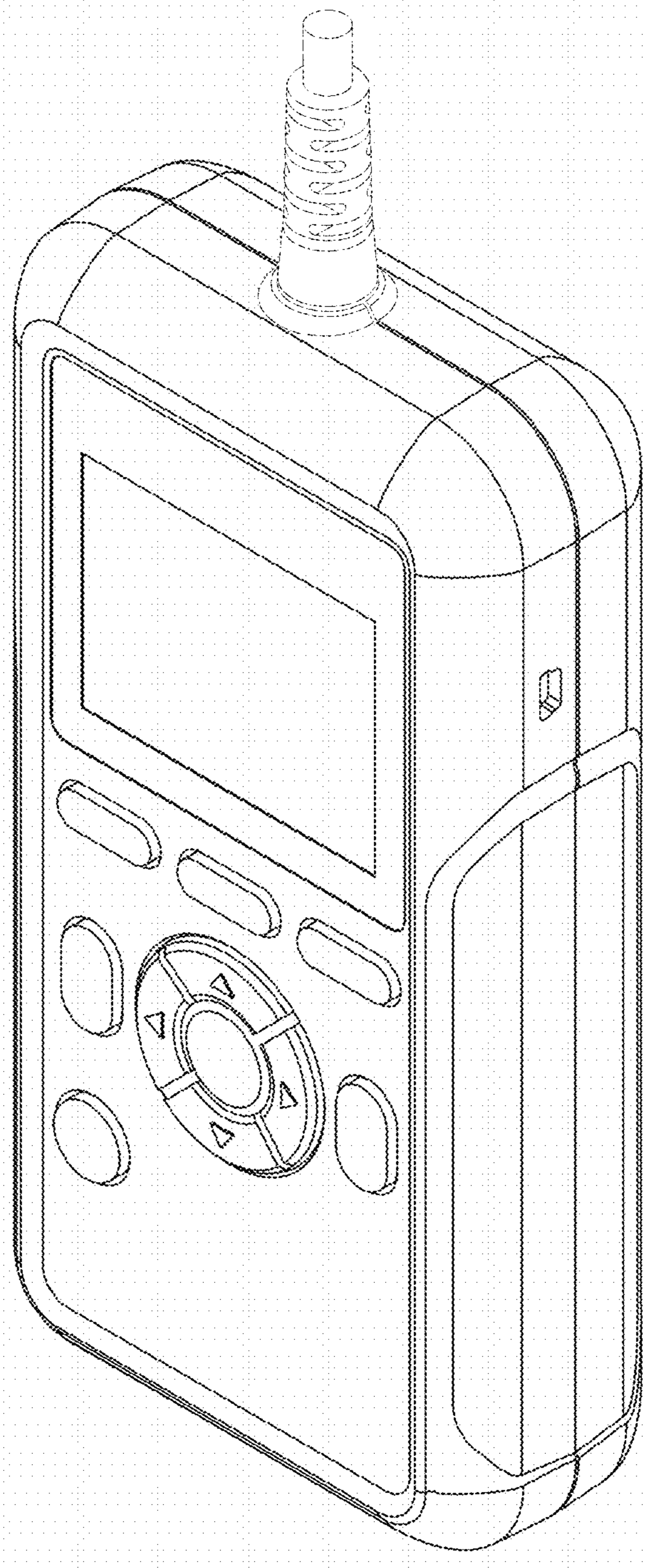


FIG.7