



US00D937691S

(12) **United States Design Patent** (10) **Patent No.:** **US D937,691 S**  
**Mao** (45) **Date of Patent:** **\*\* Dec. 7, 2021**

(54) **MEASURING RULER**

(71) Applicant: **Yuntao Mao**, Zhejiang (CN)

(72) Inventor: **Yuntao Mao**, Zhejiang (CN)

(\*\*) Term: **15 Years**

(21) Appl. No.: **29/736,849**

(22) Filed: **Jun. 3, 2020**

(30) **Foreign Application Priority Data**

Dec. 9, 2019 (CN) ..... 201930685267.2

(51) **LOC (13) Cl.** ..... **10-04**

(52) **U.S. Cl.**  
USPC ..... **D10/71**

(58) **Field of Classification Search**  
USPC ..... D10/69, 74, 71, 65; D19/133, 156  
CPC ... G01C 9/28; G01C 9/30; G01C 9/34; G01C  
9/36; G01C 9/26; G01C 9/24; G01C  
5/00; G01C 15/02; G06N 20/00; G01B  
3/566; B43L 7/0275; B43L 7/02; B43L  
7/027193

See application file for complete search history.

(56) **References Cited**

**U.S. PATENT DOCUMENTS**

D598,308 S \* 8/2009 Gofer ..... D10/69  
D684,070 S \* 6/2013 Tschopp ..... D10/69  
D750,511 S \* 3/2016 Wojciechowski ..... D10/69  
D813,060 S \* 3/2018 Wojciechowski ..... D10/69

D825,353 S \* 8/2018 Wojciechowski ..... D10/69  
2010/0218391 A1 \* 9/2010 Christianson ..... G01C 9/28  
33/379  
2011/0265339 A1 \* 11/2011 Allemann ..... G01C 9/32  
33/366.23  
2015/0300819 A1 \* 10/2015 Pelletier ..... G01C 9/34  
33/379  
2016/0138916 A1 \* 5/2016 Neitzell ..... G01C 9/32  
33/381  
2016/0138918 A1 \* 5/2016 Neitzell ..... G01C 25/00  
33/381  
2017/0131098 A1 \* 5/2017 Yu ..... G01C 9/34  
2020/0256673 A1 \* 8/2020 Wojciechowski ..... G01C 9/34  
2020/0271448 A1 \* 8/2020 Wojciechowski ..... G01C 9/34

\* cited by examiner

*Primary Examiner* — L. A. Grabenstetter

*Assistant Examiner* — Antoinette Martine Suiter

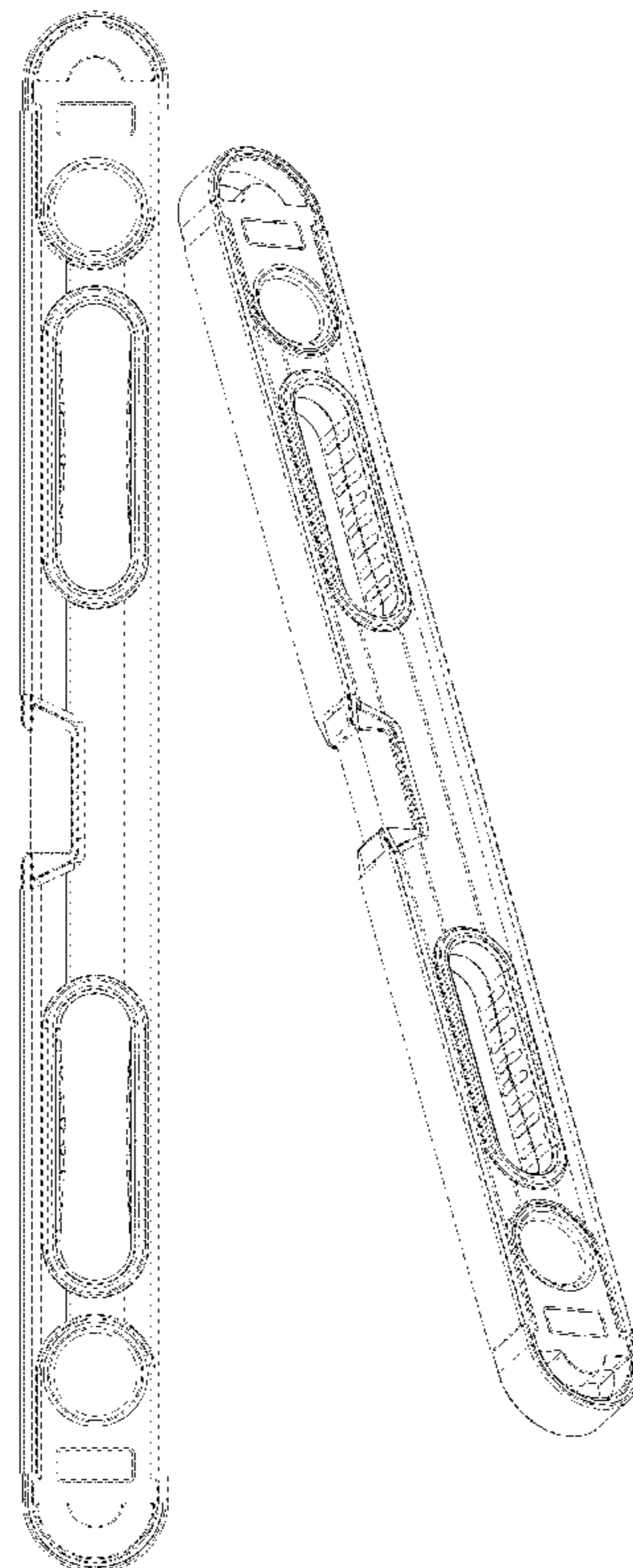
(57) **CLAIM**

The ornamental design for a measuring ruler, as shown and described.

**DESCRIPTION**

FIG. 1 is a front elevational view of a measuring ruler showing my new design;  
FIG. 2 is a rear elevational view thereof;  
FIG. 3 is a left side view thereof;  
FIG. 4 is a right side view thereof;  
FIG. 5 is a top plan view thereof;  
FIG. 6 is a bottom plan view thereof; and,  
FIG. 7 is a perspective view from front side thereof.

**1 Claim, 7 Drawing Sheets**



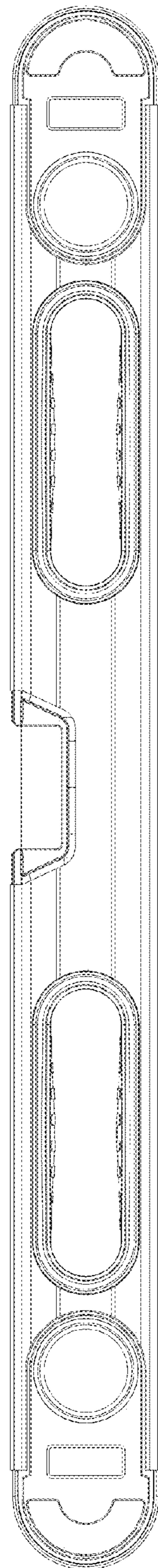


Fig. 1

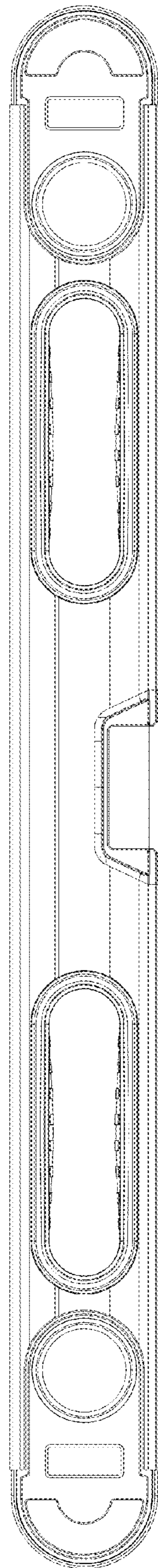


Fig. 2

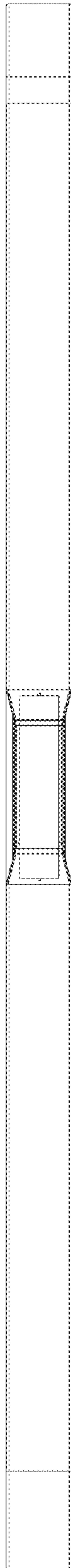


Fig. 3



Fig. 4



Fig. 5



Fig. 6

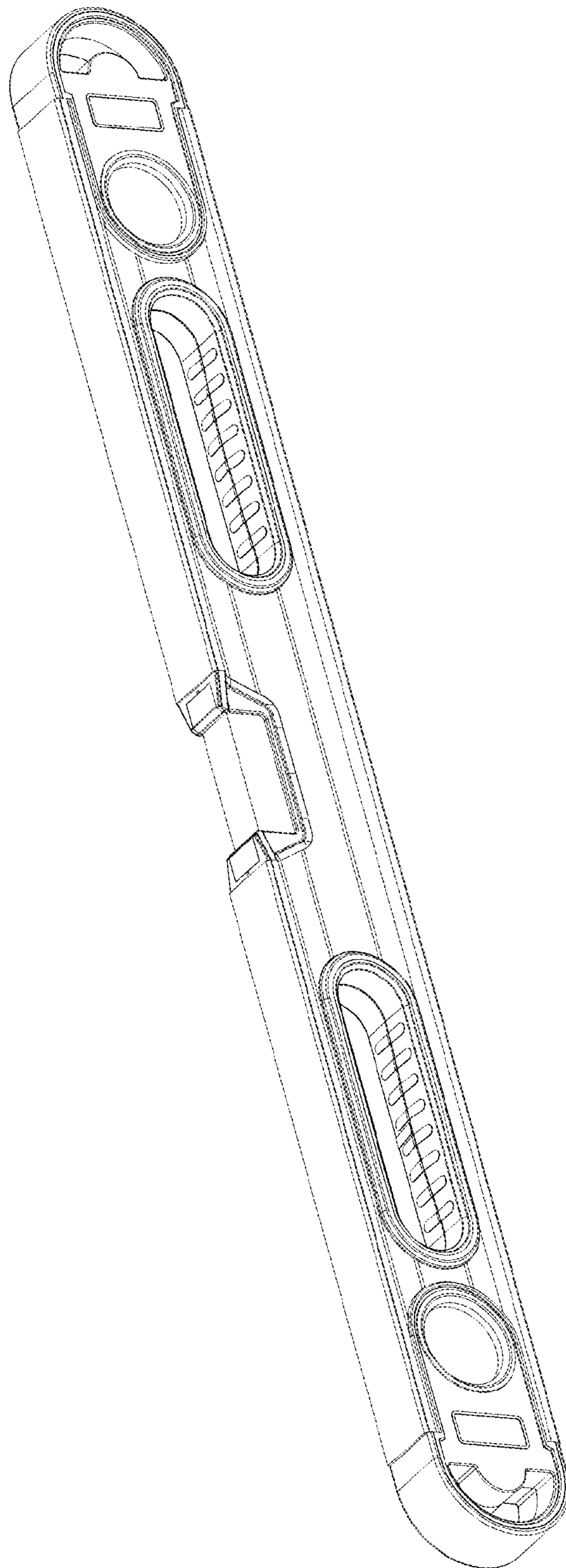


Fig. 7