



US00D937683S

(12) **United States Design Patent**
Fujimoto

(10) **Patent No.:** **US D937,683 S**

(45) **Date of Patent:** **** Dec. 7, 2021**

(54) **BOTTLE**

(71) Applicant: **SUNTORY HOLDINGS LIMITED,**
Osaka (JP)

(72) Inventor: **Katsuyuki Fujimoto,** Tokyo (JP)

(73) Assignee: **SUNTORY HOLDINGS LIMITED,**
Osaka (JP)

(**) Term: **15 Years**

(21) Appl. No.: **29/756,582**

(22) Filed: **Oct. 29, 2020**

(51) **LOC (13) Cl.** **09-01**

(52) **U.S. Cl.**
USPC **D9/538; D9/550; D9/552**

(58) **Field of Classification Search**
USPC D9/434, 500, 503, 516, 530, 537-541,
D9/544-545, 549, 550, 552, 556, 558,
D9/575, 715, 719

CPC B65D 1/00; B65D 1/02; B65D 1/0223;
B65D 1/44; B65D 23/00; B65D 23/102;
B65D 2501/00; B65D 2501/0009; B65D
2501/0018; B65D 2501/0036

See application file for complete search history.

(56) **References Cited**

U.S. PATENT DOCUMENTS

D178,917 S	10/1956	England et al.	
D248,835 S *	8/1978	Korsmeyer	D9/500
D284,362 S *	6/1986	Biesecker	D9/500
D287,338 S *	12/1986	Biesecker	D9/500
D289,378 S	4/1987	Miskinis	
D315,680 S	3/1991	Baxter	

(Continued)

FOREIGN PATENT DOCUMENTS

AU	201314194	10/2013
AU	201613443	7/2016

(Continued)

OTHER PUBLICATIONS

Notice of Allowance issued in Taiwan Counterpart Patent Appl. No. 107303419, dated Feb. 11, 2019, along with an English translation thereof.

(Continued)

Primary Examiner — Dana Meyrow

(74) *Attorney, Agent, or Firm* — Greenblum & Bernstein, P.L.C.

(57) **CLAIM**

I claim the ornamental design for a bottle, as shown and described.

DESCRIPTION

FIG. 1 is a front elevational view of a bottle showing the new design;

FIG. 2 is a rear elevational view thereof;

FIG. 3 is a top plan view thereof;

FIG. 4 is a bottom plan view thereof;

FIG. 5 is a right side elevational view thereof;

FIG. 6 is a left side elevational view thereof;

FIG. 7 is a perspective view of the front, top, and right sides thereof;

FIG. 8 is a cross-sectional view of the bottle taken along section line 8-8 of FIG. 1; and,

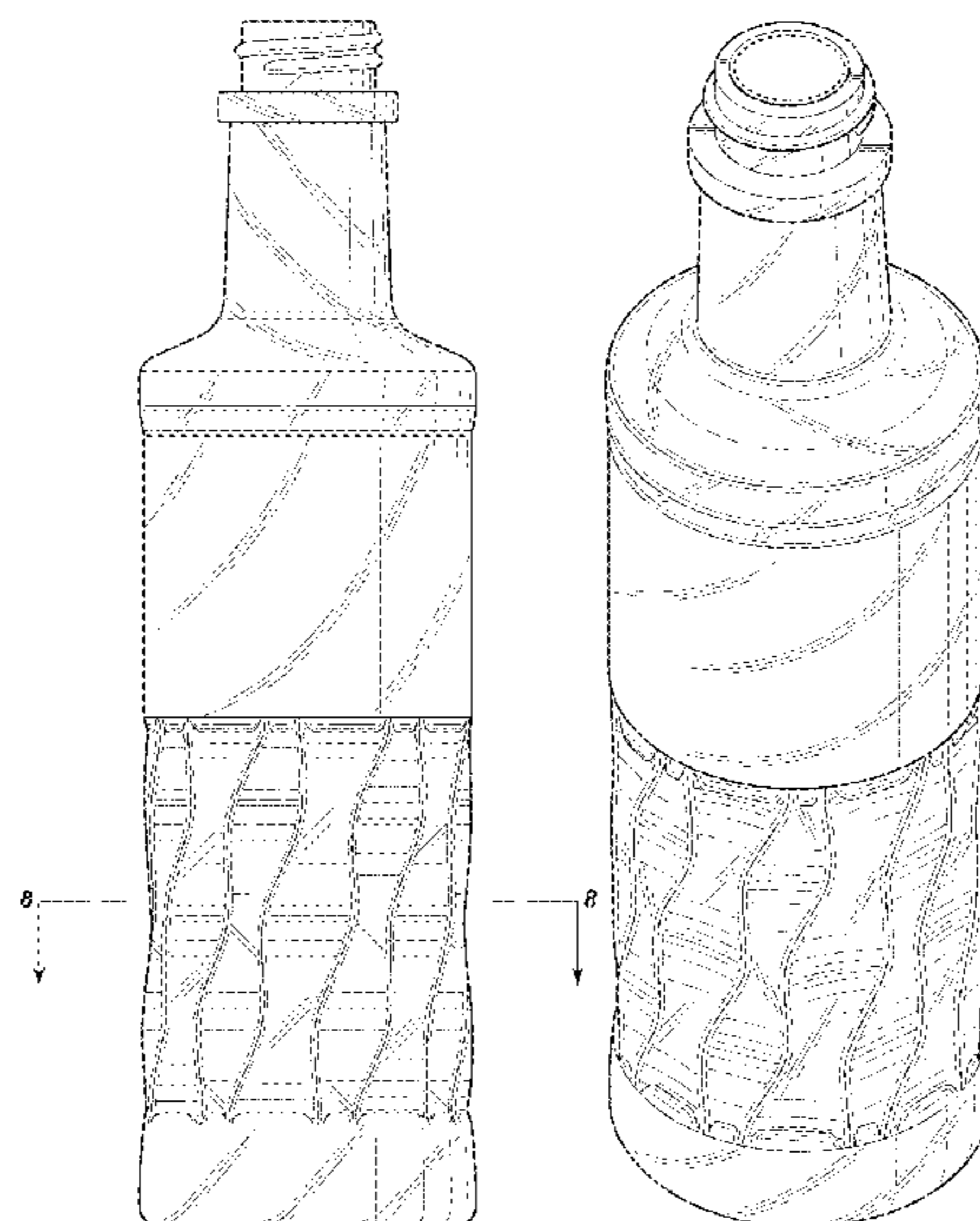
FIG. 9 is a cross-sectional view of the bottle taken along section line 9-9 of FIG. 5.

The bottle of this design is entirely transparent and the oblique line shading shown in the drawings is to indicate this transparency. The opposing side details of the bottle as they would be seen through the transparent sidewall material have been omitted for ease of understanding.

The thin lines shown in the drawings indicate the three-dimensional surface shape of the bottle.

The broken lines shown in the drawings indicate portions of the bottle that form no part of the claimed design.

1 Claim, 8 Drawing Sheets



US D937,683 S

(56)

References Cited

U.S. PATENT DOCUMENTS

D318,009 S	7/1991	Litton	
D367,485 S	2/1996	Szabo et al.	
D389,068 S	1/1998	Hooker	
D408,289 S	4/1999	Swette et al.	
D414,699 S *	10/1999	Alt	D9/502
D420,291 S	2/2000	Gnann et al.	
D426,163 S	6/2000	Safadi et al.	
D479,131 S	9/2003	Warner et al.	
D509,433 S	9/2005	Trayser et al.	
D527,265 S	8/2006	Brandt et al.	
D551,986 S	10/2007	Rubin et al.	
D556,593 S	12/2007	De Cleie et al.	
D557,609 S	12/2007	Ungrady et al.	
D561,026 S	2/2008	Rica	
D573,024 S *	7/2008	Delbon	D9/500
D603,711 S	11/2009	Lepoitevin	
D604,169 S	11/2009	Melossi	
D619,013 S	7/2010	Potts	
7,815,064 B2	10/2010	Howell et al.	
D677,574 S	3/2013	Barnard et al.	
D677,575 S	3/2013	Barnard et al.	
D689,773 S	9/2013	Nomura et al.	
D711,238 S	8/2014	Schlies et al.	
D713,250 S *	9/2014	Perez-Cabrera	D9/500
D736,638 S	8/2015	Boon	
D738,736 S	9/2015	Eaton et al.	
D766,722 S	9/2016	Schlies et al.	
D767,404 S	9/2016	Eaton et al.	
D784,768 S	4/2017	Lee	
D817,764 S	5/2018	Lauret	
D820,089 S	6/2018	Lauret	
D845,126 S	4/2019	Prozumenshchikov	
D853,852 S	7/2019	Veyssiere	
D899,256 S	10/2020	Fujimoto	
D899,257 S	10/2020	Fujimoto	

FOREIGN PATENT DOCUMENTS

AU	201714634	8/2017
BR	DI5500431-8	4/1995
BR	DI5501234-5	8/1995
BR	DI6102977-7	11/2001
BR	DI6200512-0	3/2002
BR	DI6400381-7	2/2004
BR	DI6400522-4	2/2004
BR	DI6502463-0	6/2005
BR	DI6505149-1	10/2005
BR	DI6504957-8	12/2005
BR	DI6505039-8	12/2005
BR	DI6600760-7	3/2006
BR	DI7106652-7	11/2011
BR	302012002275-4	5/2012
BR	302015001238-2	3/2015
BR	302015004460-8	9/2015
BR	302016005878-4	12/2016
BR	302016005879-2	12/2016
CA	14769	7/1946
CA	23073	1/1960
CA	39473	7/1975
CA	47074	7/1980
CA	49460	3/1982
CA	73117	8/1993
CA	TMA461120	8/1996
CA	79298	10/1996
CA	99686	4/2003
CA	106701	8/2005
CA	105458	9/2005
CA	105459	9/2005
CA	107140	12/2005
CA	110912	4/2007
CA	113598	11/2007
CA	118244	11/2007
CA	119232	11/2007
CA	120625	11/2007
CA	122646	11/2007

CA	123782	8/2008
CA	125907	9/2009
CA	126991	1/2010
CA	131118	10/2010
CA	135455	10/2010
CA	134900	11/2010
CA	141747	3/2012
CA	139966	5/2012
CA	142292	5/2012
CA	141177	12/2012
CA	141178	12/2012
CA	148365	12/2012
CA	152173	7/2014
CA	156700	1/2015
CA	156701	1/2015
CA	160635	9/2015
CA	161665	10/2015
CA	TMA933478	4/2016
CA	166388	8/2016
CA	170681	8/2017
CA	171961	9/2017
CN	301899674 S	5/2012
CN	303094218 S	2/2015
EP	410360-7	11/2005
EP	426036-5	12/2005
EP	1682766-5	3/2010
EP	1692302-3	4/2010
EP	1396923-7	1/2014
EP	1396923-8	1/2014
EP	1396923-9	1/2014
EP	1396923-10	1/2014
EP	3932912-42	5/2017
EP	3932912-43	5/2017
EP	3932912-44	5/2017
EP	3932912-64	5/2017
FR	20134332	1/2014
FR	20155168	12/2015
FR	20155909	3/2016
JP	1114174	7/2001
JP	1114175	7/2001
JP	1114883	7/2001
JP	1114884	7/2001
JP	1608161	7/2018
JP	1608303	7/2018
MX	18100	6/2005
MX	19065	10/2005
MX	19238	10/2005
MX	20412	4/2006
MX	22947	6/2007
MX	32847	1/2011
MX	37323	10/2012
MX	41863	7/2014
MX	42139	7/2014
MX	44344	6/2015
MX	46372	2/2016
MX	49382 B	4/2017
MX	49959 B	6/2017
MX	51407 B	11/2017
RU	59060	5/2006
RU	61205	1/2007
RU	63892	9/2007
RU	63895	9/2007
RU	65210	1/2008
RU	85144	5/2013
RU	90225	10/2014
RU	95708	10/2015
RU	95722	10/2015
SG	D2006171 Z	5/2006
SG	D2006172 F	5/2006
SG	D2006251 C	5/2006
SG	D2006758J	12/2006
SG	D2006759 G	12/2006
SG	D2006760 E	12/2006
SG	D2006762 G	12/2006
SG	D2009316 G	10/2009
SG	D2013223 Z	5/2013
SG	D2013227 E	5/2013

(56)

References Cited

FOREIGN PATENT DOCUMENTS

SG	D20141003 C	10/2014
TW	D128088	4/2009
TW	D164692	12/2014

OTHER PUBLICATIONS

Office Action issued in Taiwan Counterpart Patent Appl. No. 107303418, dated Mar. 20, 2019.

* cited by examiner

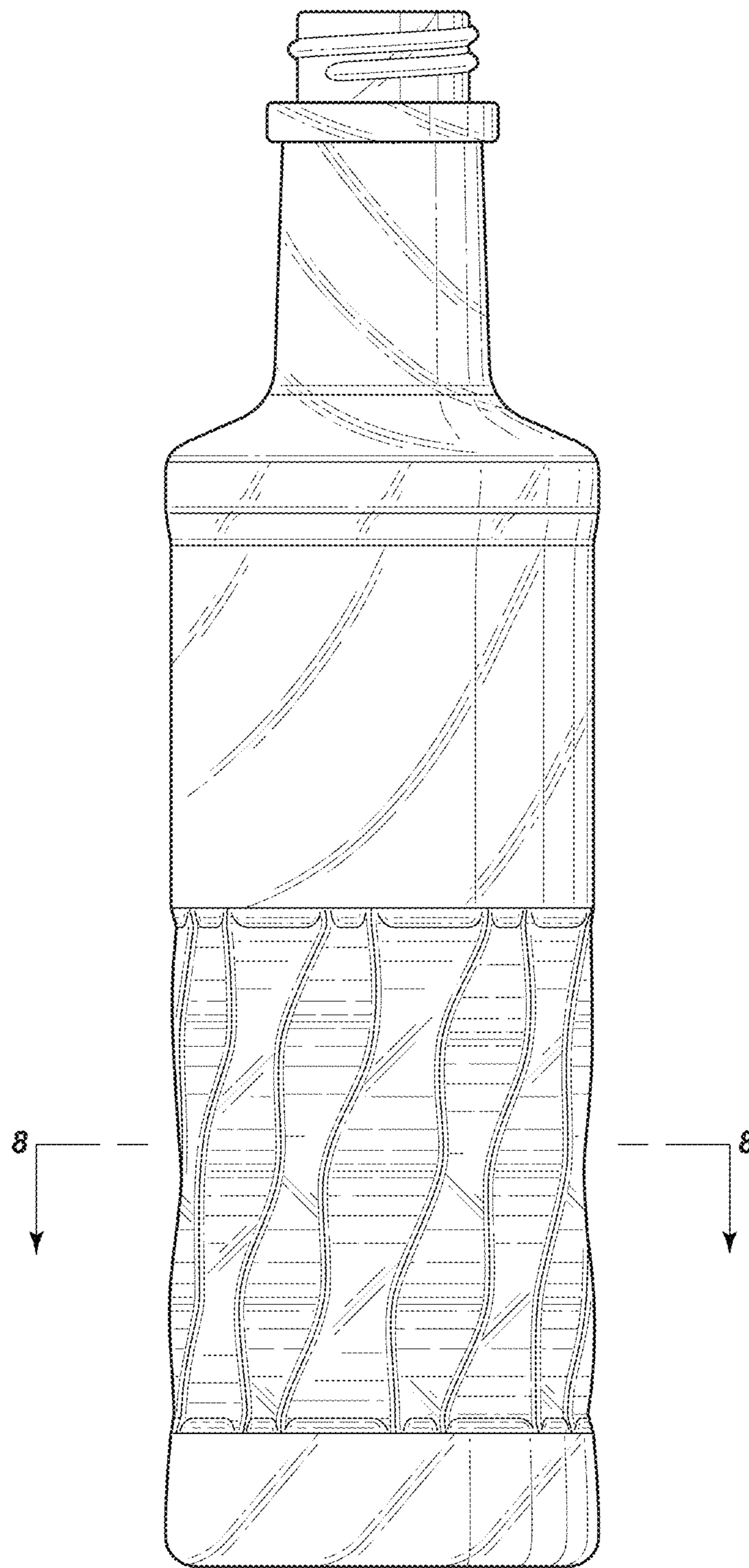


FIG. 1

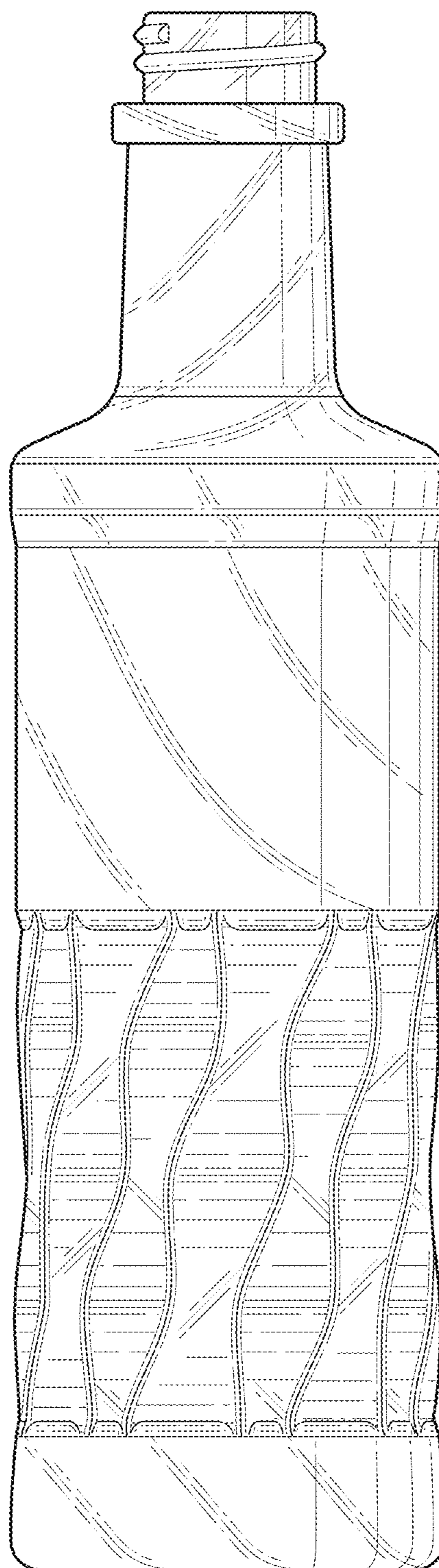


FIG. 2

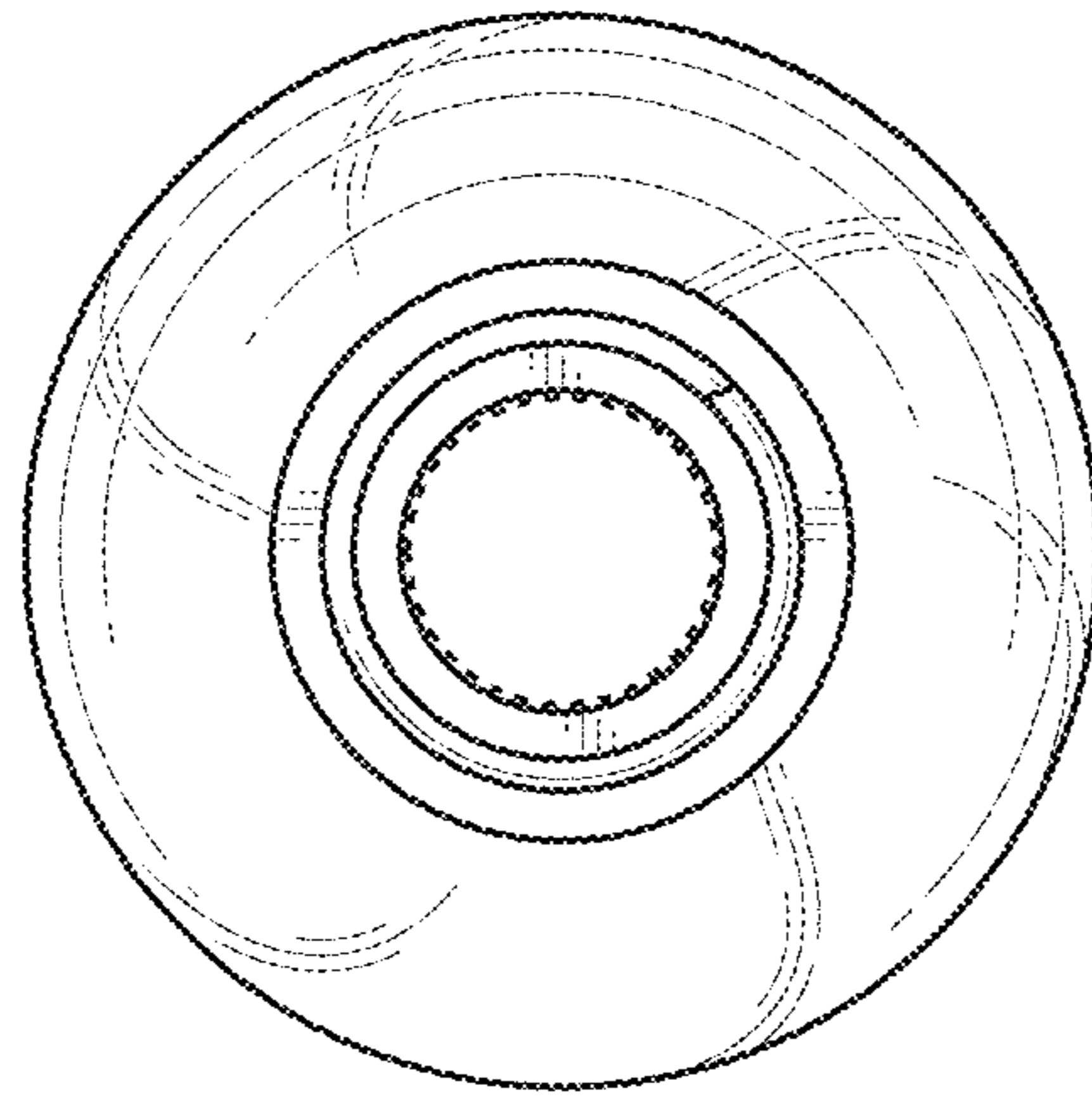


FIG. 3

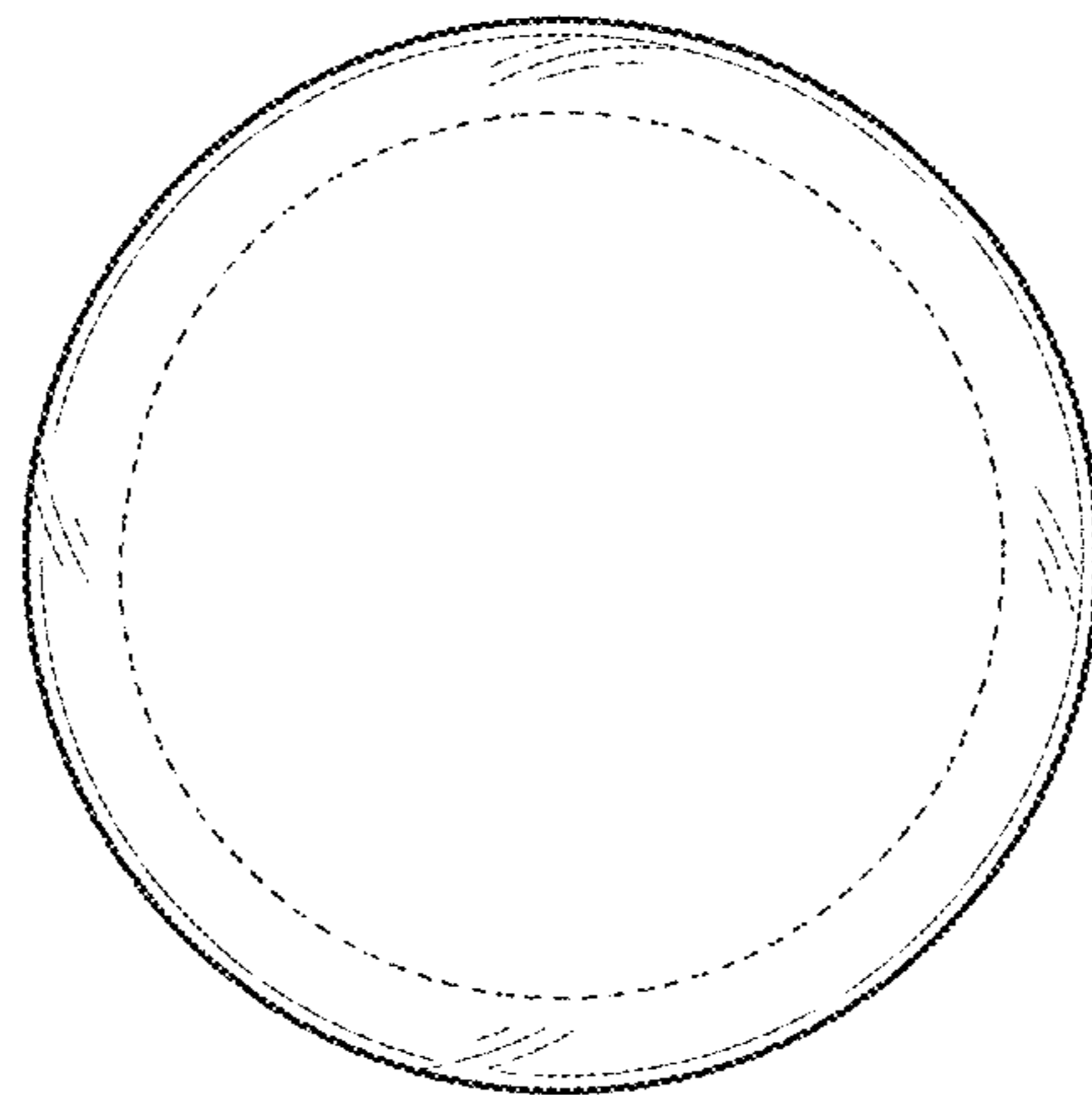


FIG. 4

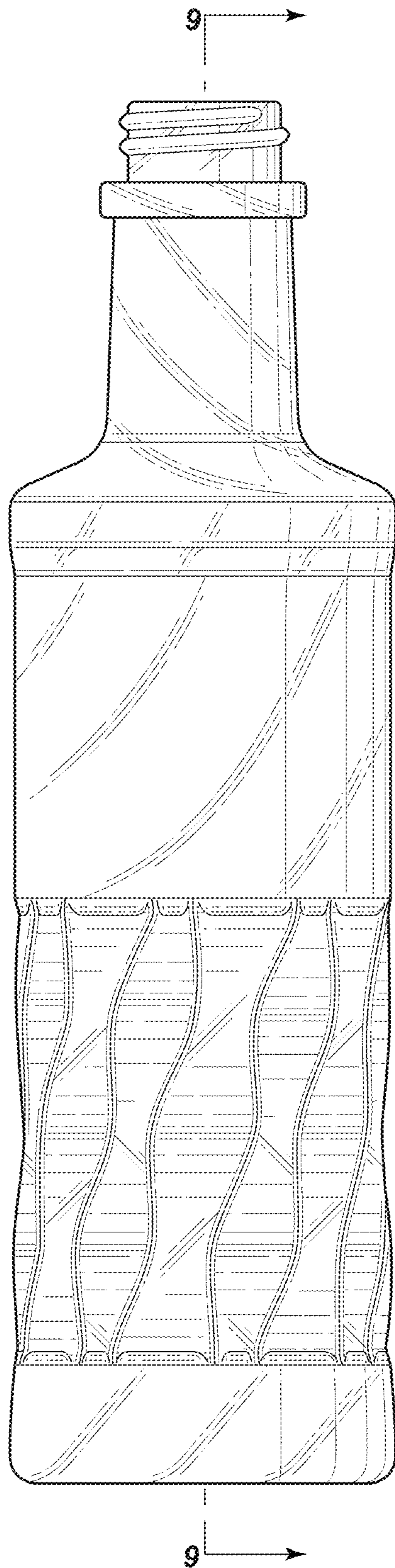


FIG. 5

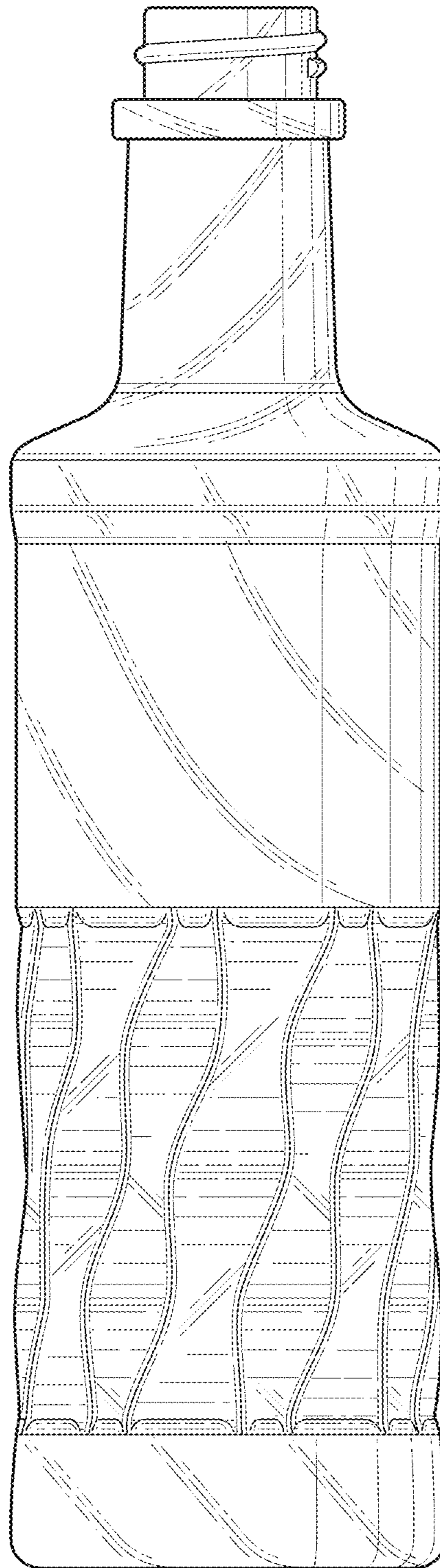


FIG. 6

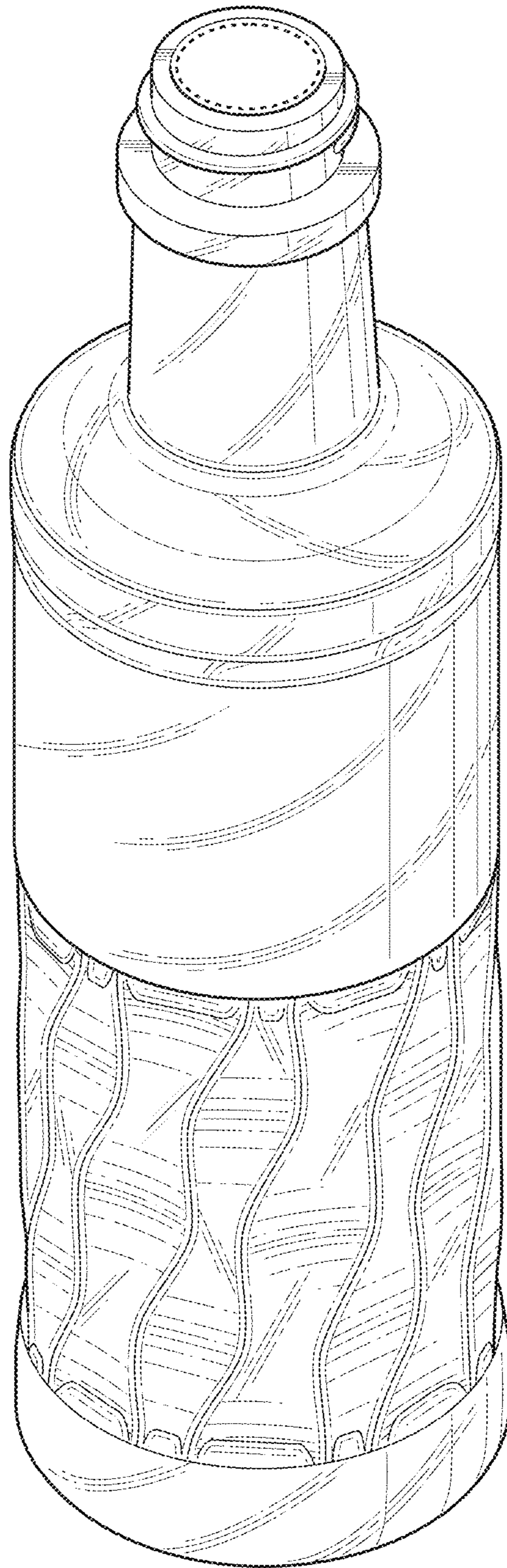


FIG. 7

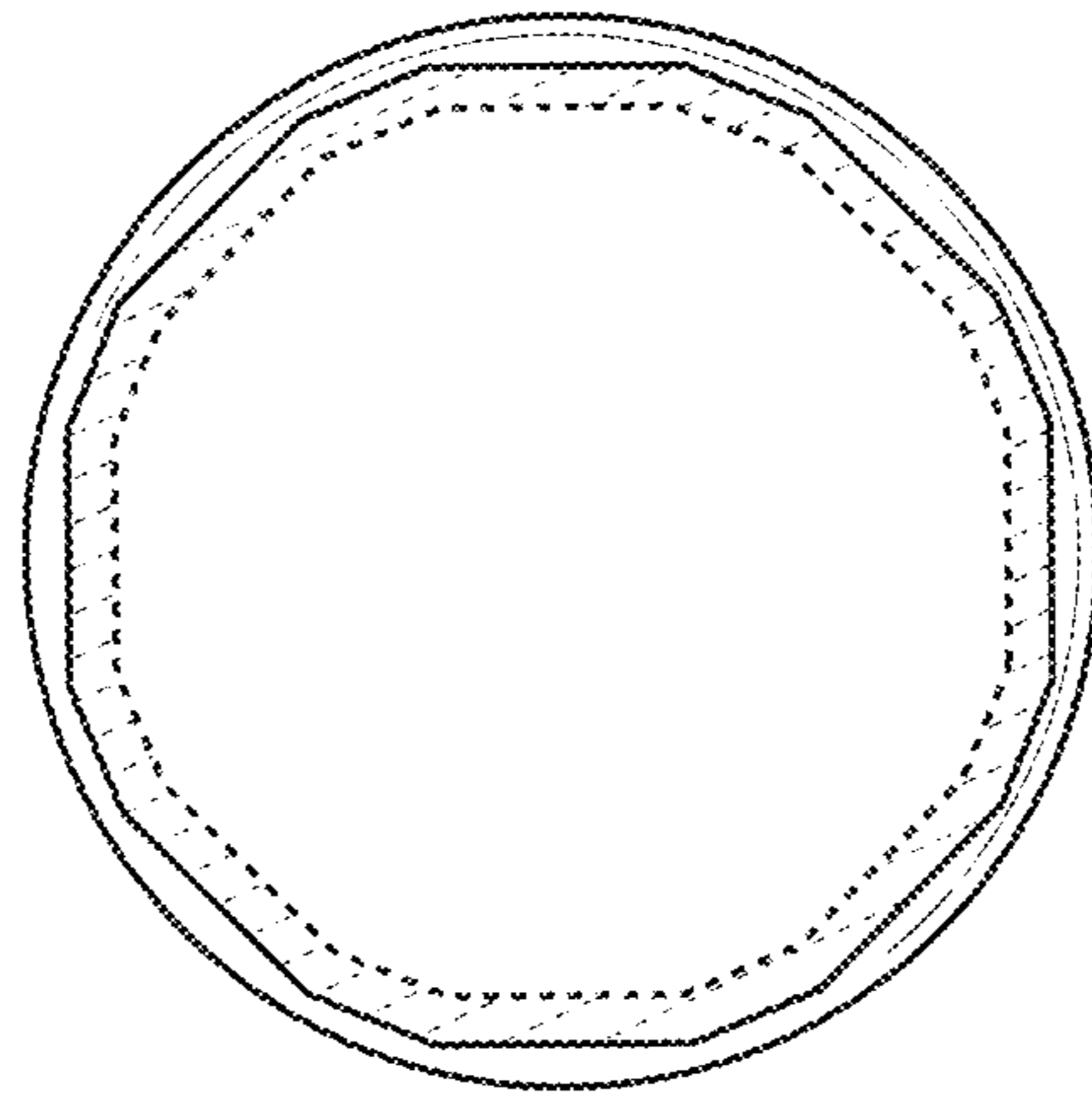


FIG. 8

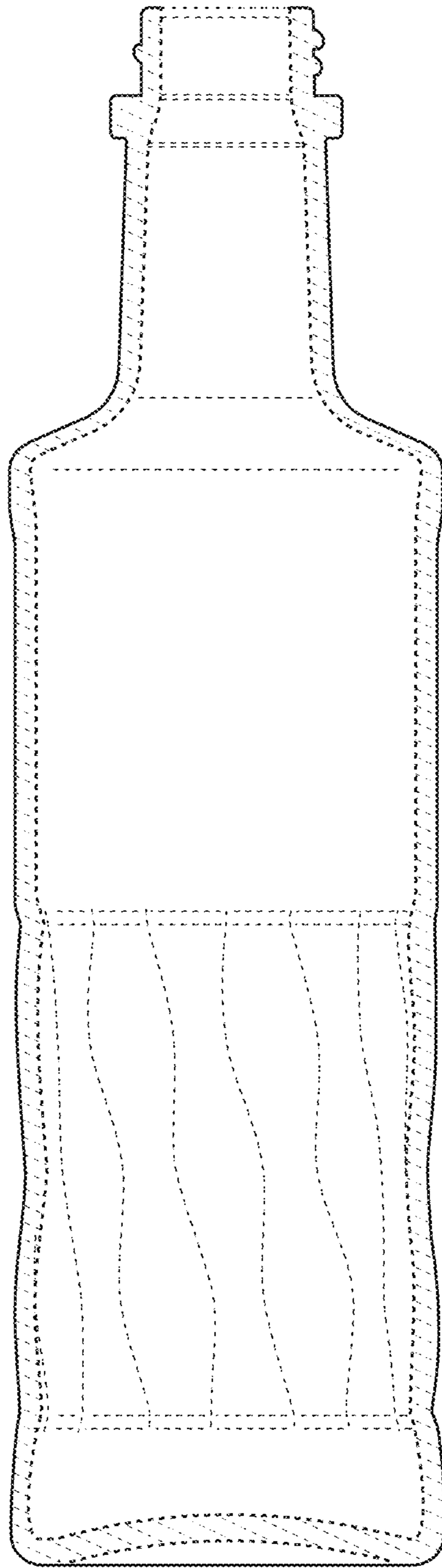


FIG. 9