



US00D937682S

(12) **United States Design Patent**
Reid et al.

(10) **Patent No.:** **US D937,682 S**
(45) **Date of Patent:** **** Dec. 7, 2021**

- (54) **HAND SANITIZER BOTTLE**
- (71) Applicant: **Pantero, Inc.**, Troy, MI (US)
- (72) Inventors: **Andrew Reid**, Troy, MI (US); **Michael Hattingh**, Troy, MI (US); **John Reid**, Troy, MI (US)
- (73) Assignee: **Pantero, Inc.**, Troy, MI (US)
- (**) Term: **15 Years**
- (21) Appl. No.: **29/740,305**
- (22) Filed: **Jul. 2, 2020**
- (51) **LOC (13) Cl.** **09-01**
- (52) **U.S. Cl.**
USPC **D9/531**; D9/522; D9/537
- (58) **Field of Classification Search**
USPC D9/434, 516, 522–523, 528, 530–531,
D9/537, 549, 571, 575, 715, 719
CPC B65D 1/00; B65D 1/02; B65D 1/0223;
B65D 23/00; B65D 23/10; B65D 23/102;
B65D 23/104; B65D 23/106; B65D
2501/00; B65D 2501/0009
See application file for complete search history.

(56) **References Cited**

U.S. PATENT DOCUMENTS

- D199,641 S * 11/1964 Birrell et al. D9/531
- D286,367 S * 10/1986 Murphy D7/300.1

- D374,624 S * 10/1996 Paoloski D9/531
- D419,453 S * 1/2000 Braun D9/531
- D429,155 S * 8/2000 Beale D9/520
- D518,731 S * 4/2006 Yourist D9/528
- D685,641 S * 7/2013 Tomkins D9/528
- D686,080 S * 7/2013 Tomkins D9/528
- D748,985 S * 2/2016 Chauza D9/516
- D911,852 S * 3/2021 Barp D9/531

* cited by examiner

Primary Examiner — Dana Meyrow

(74) *Attorney, Agent, or Firm* — William H. Honaker;
Dickinson Wright PLLC

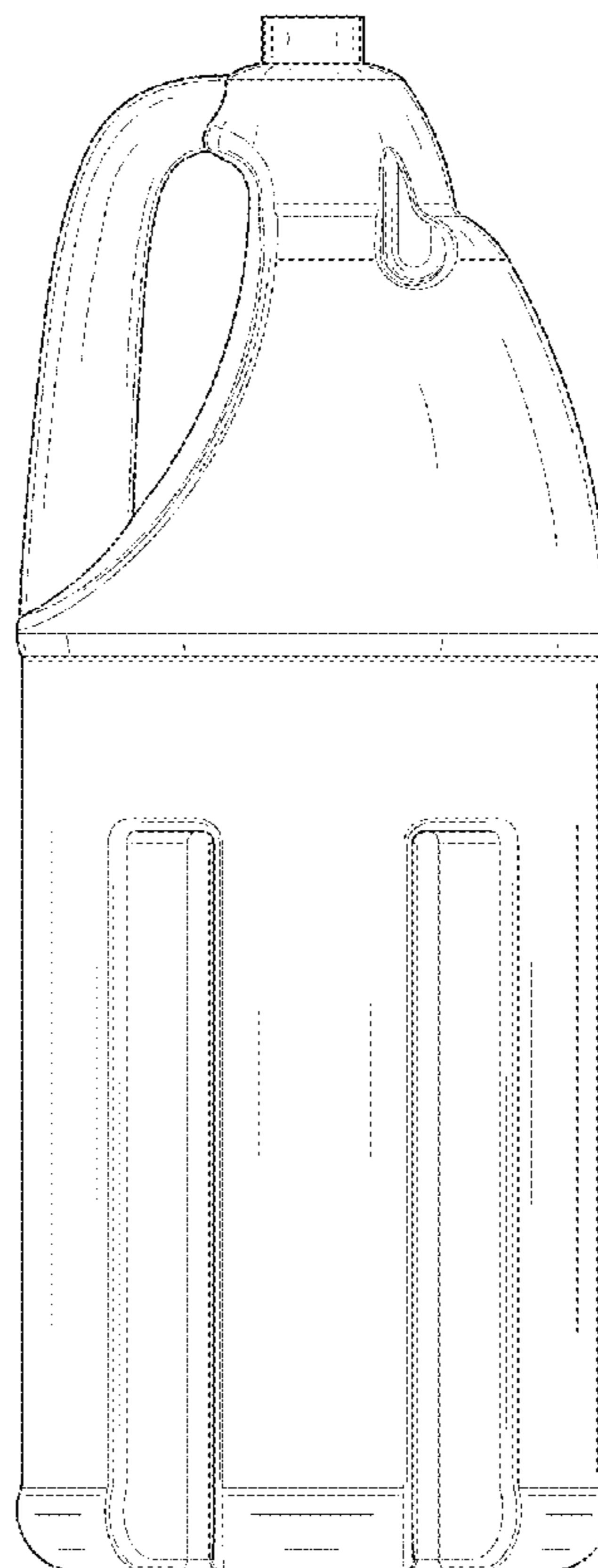
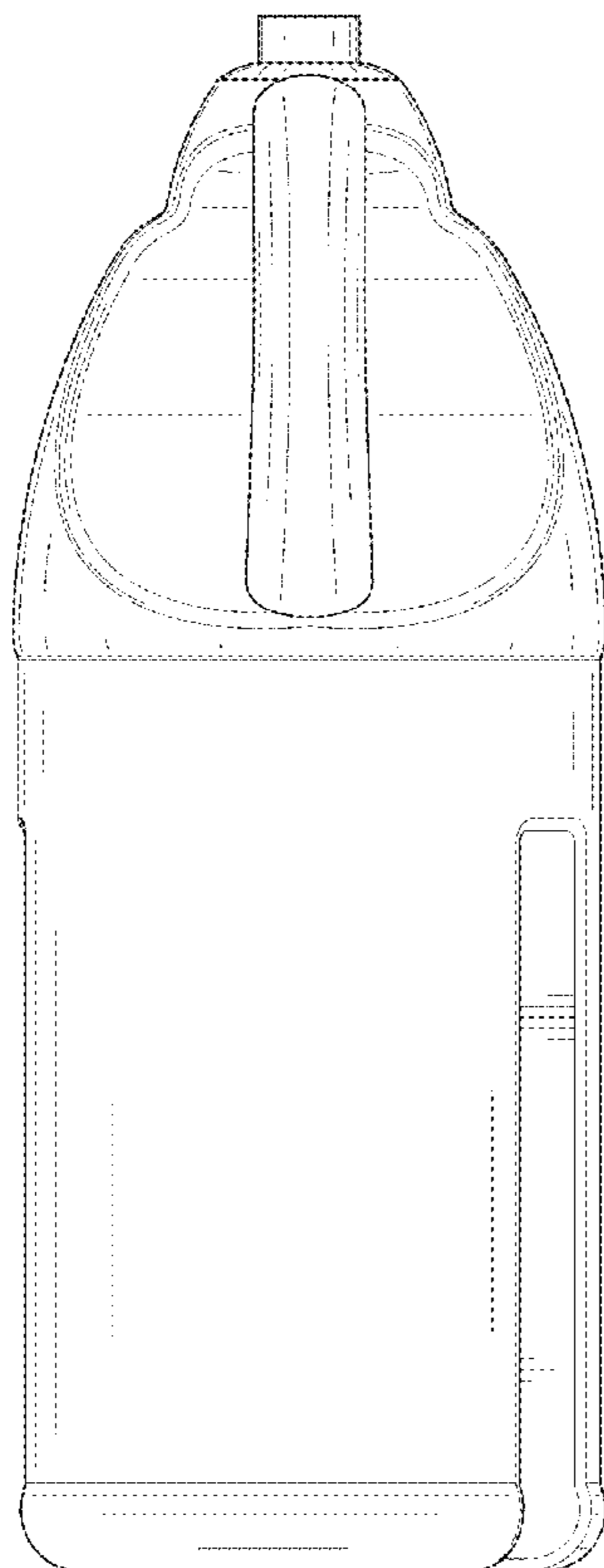
(57) **CLAIM**

The ornamental design for a hand sanitizer bottle, as shown and described.

DESCRIPTION

FIG. 1 is a perspective view of the hand sanitizer bottle our new design.
 FIG. 2 is a second perspective view thereof.
 FIG. 3 is a perspective view from the bottom thereof.
 FIG. 4 is a front view thereof.
 FIG. 5 is a back view thereof.
 FIG. 6 is a first side view thereof.
 FIG. 7 is a second side view thereof.
 FIG. 8 is a top view thereof; and,
 FIG. 9 is a bottom view thereof.
 The broken lines in the drawings depict portions of the hand sanitizer bottle that form no part of the claimed design.

1 Claim, 4 Drawing Sheets



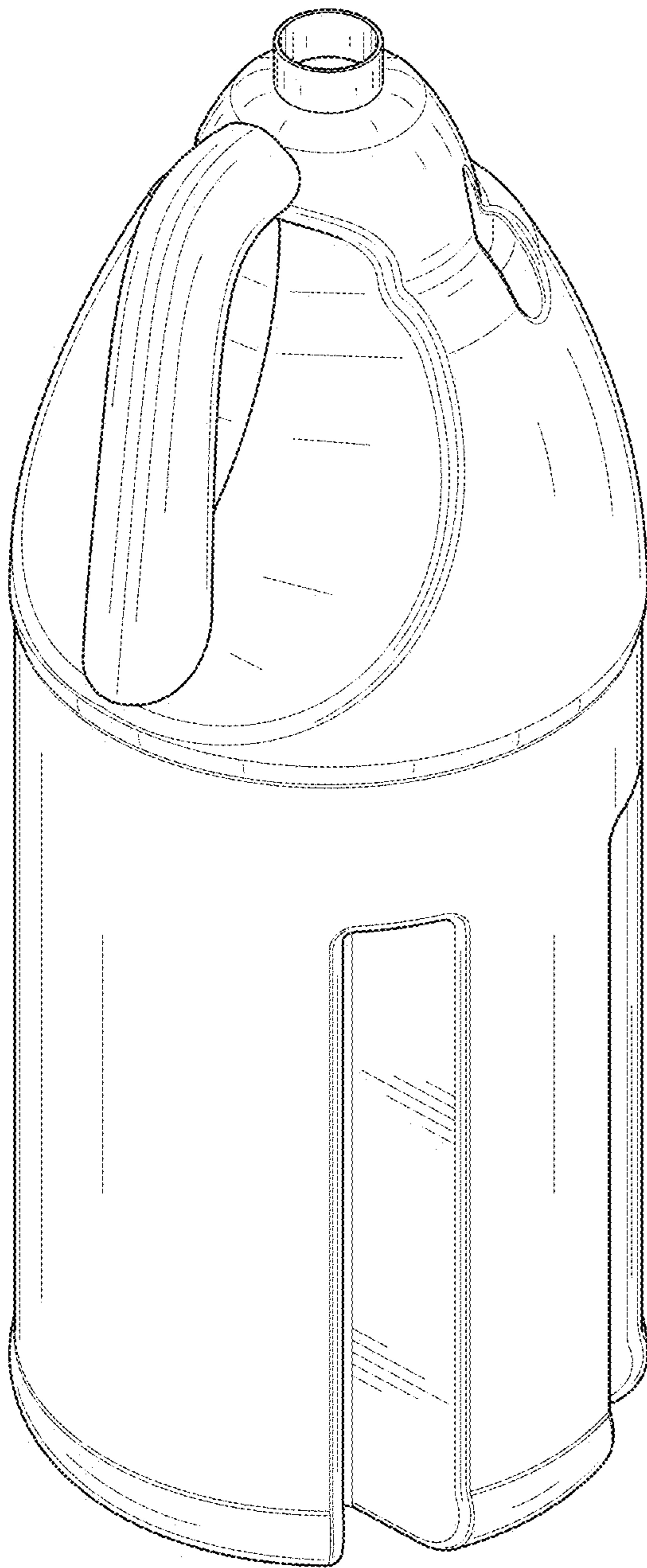


FIG. 1

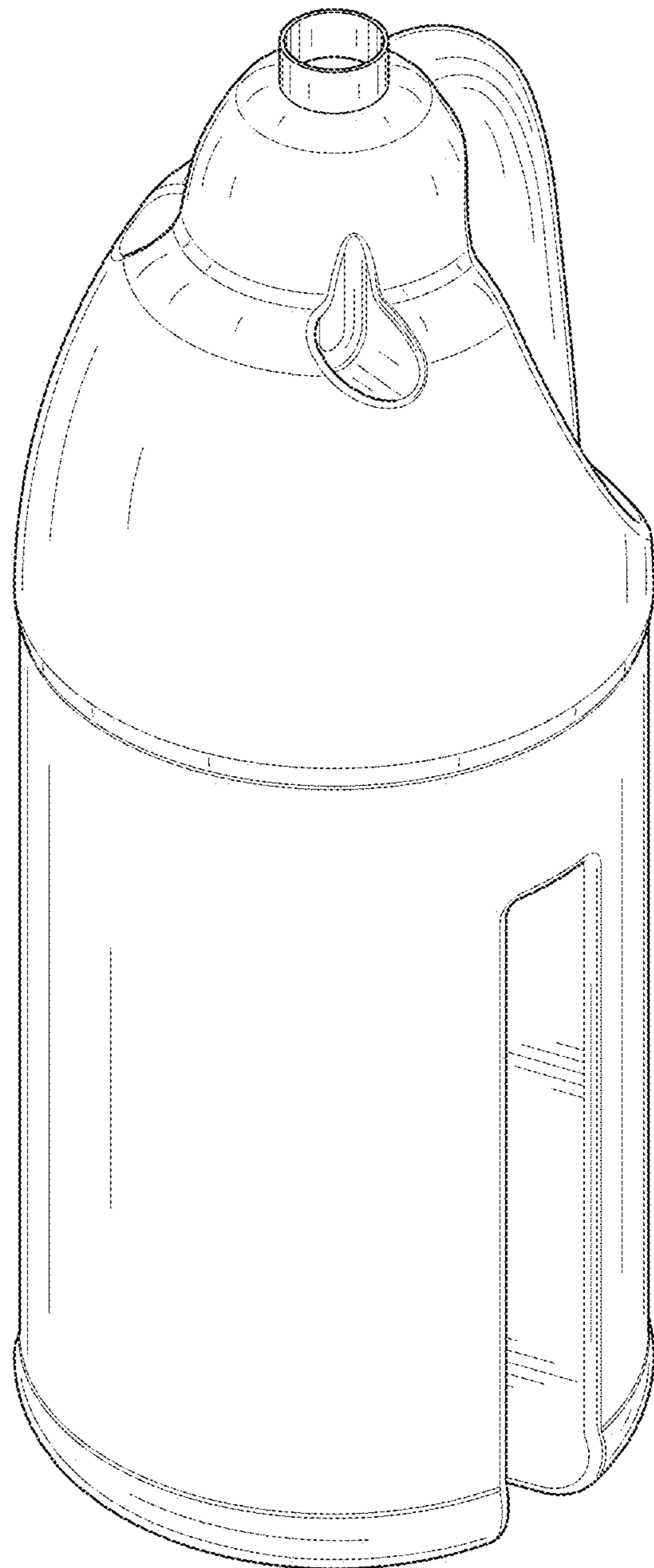


FIG. 2

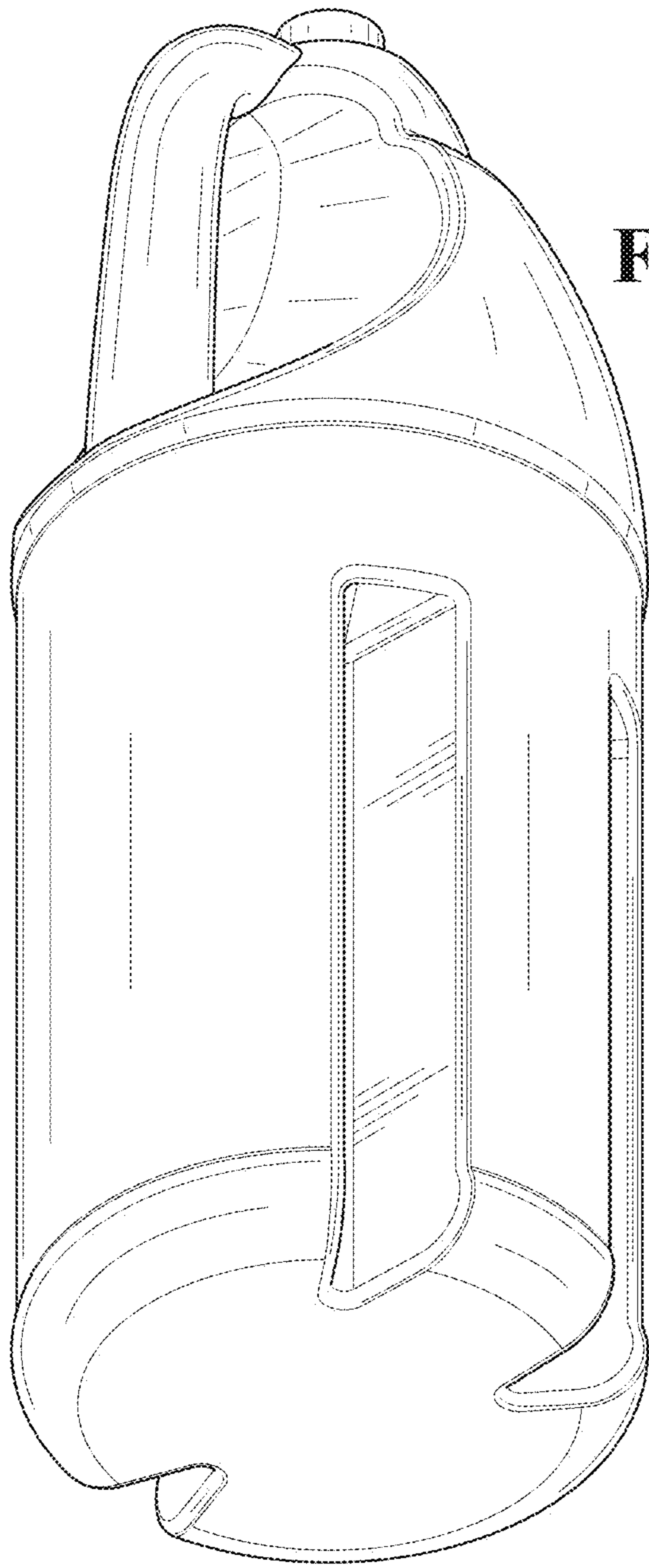


FIG. 3

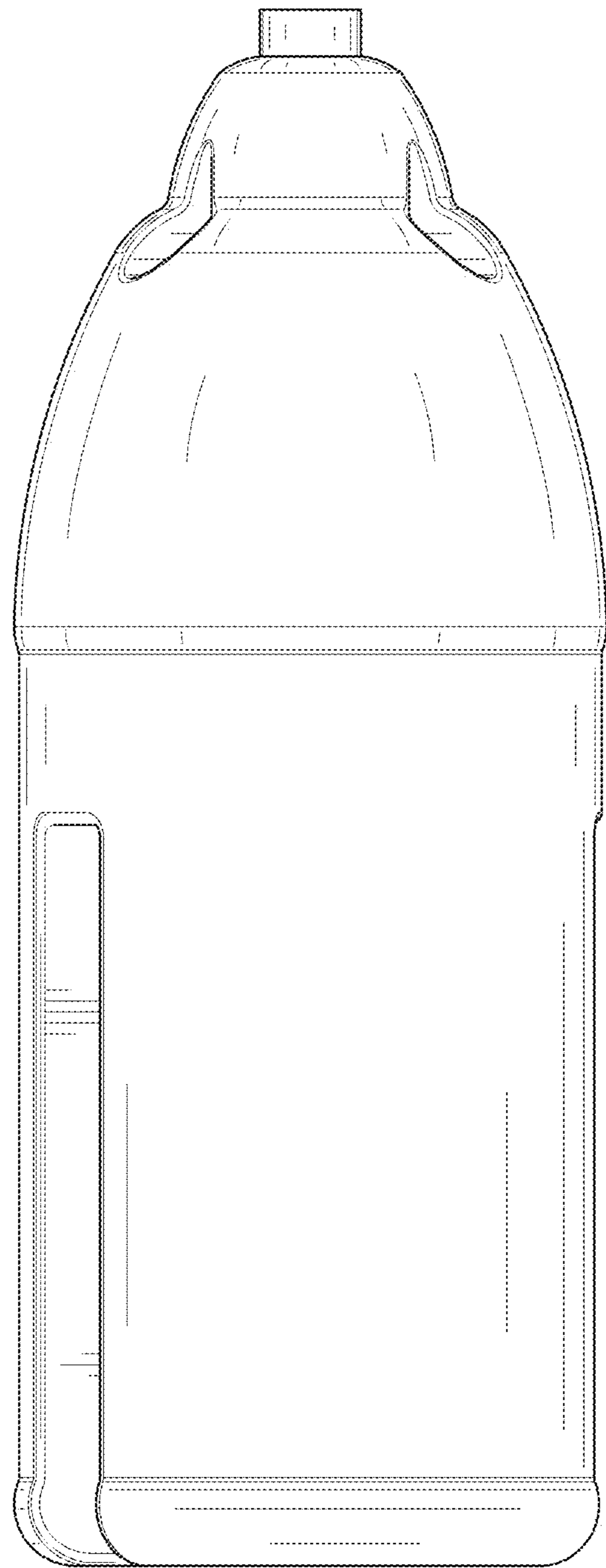


FIG. 4

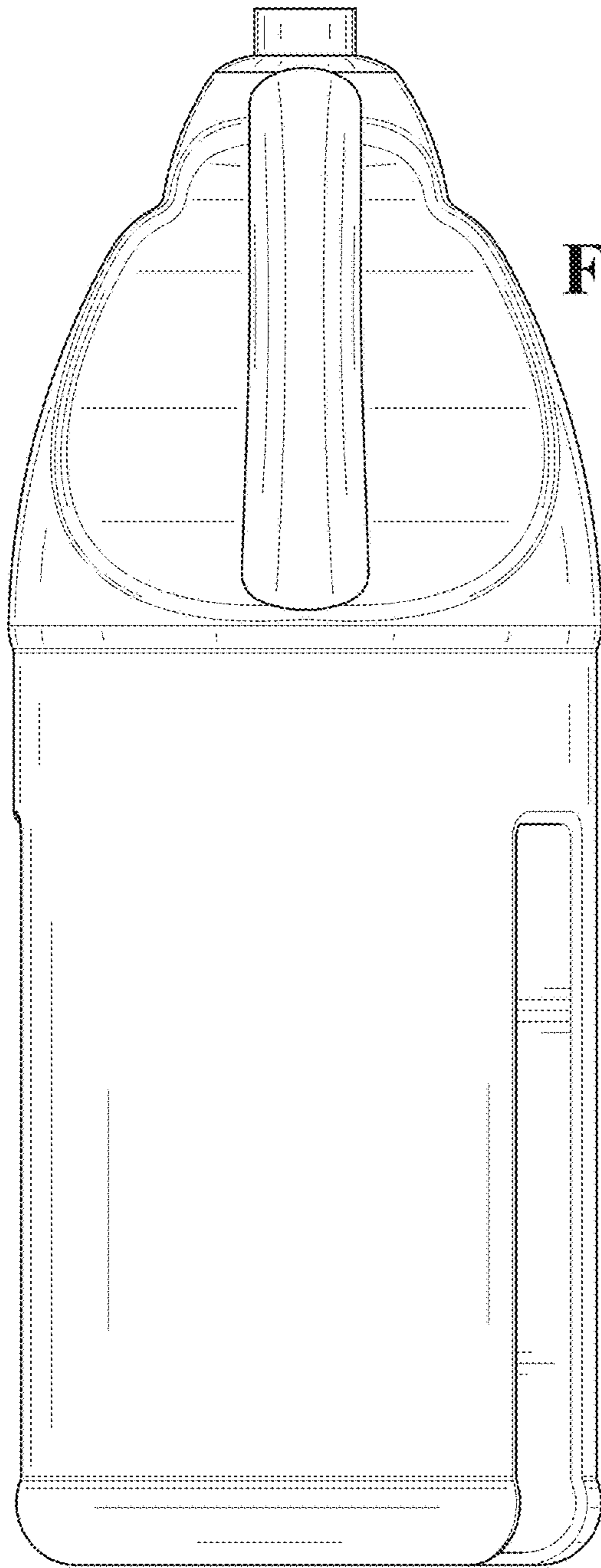


FIG. 5

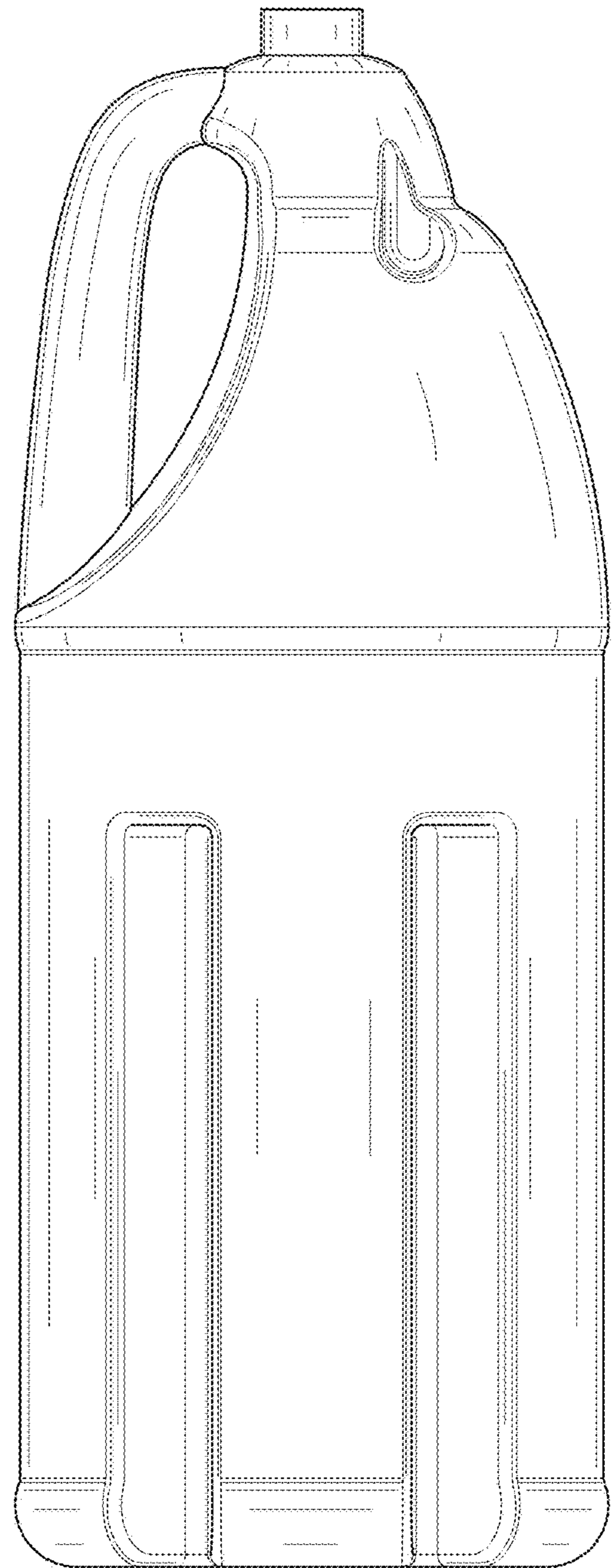


FIG. 6

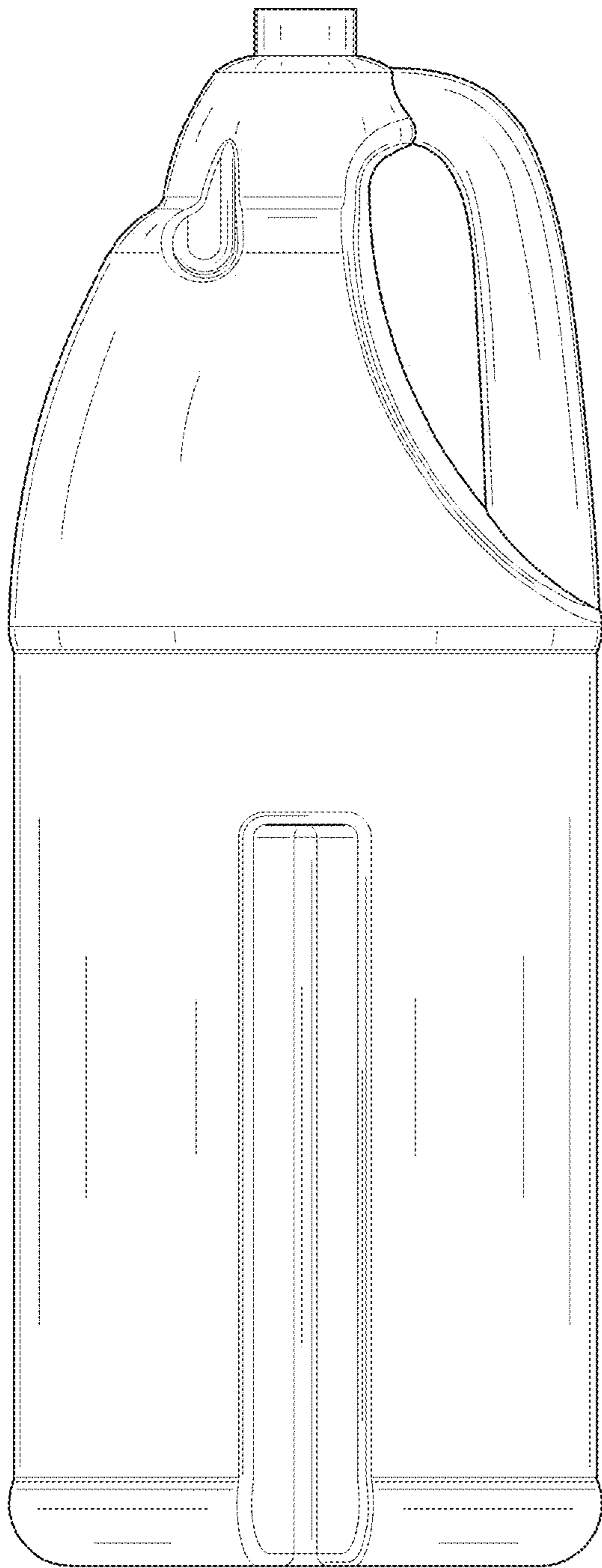


FIG. 7

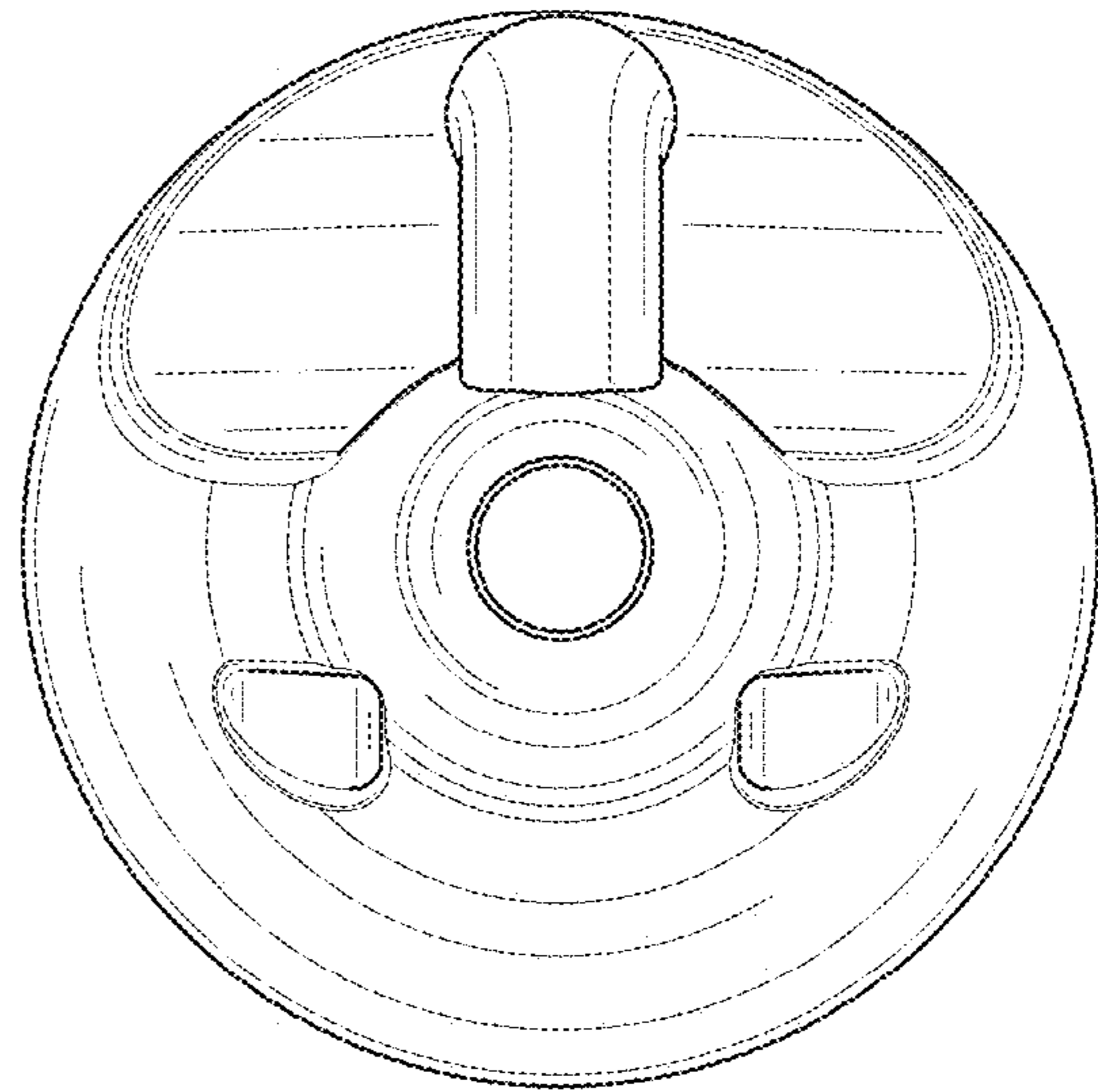


FIG. 8

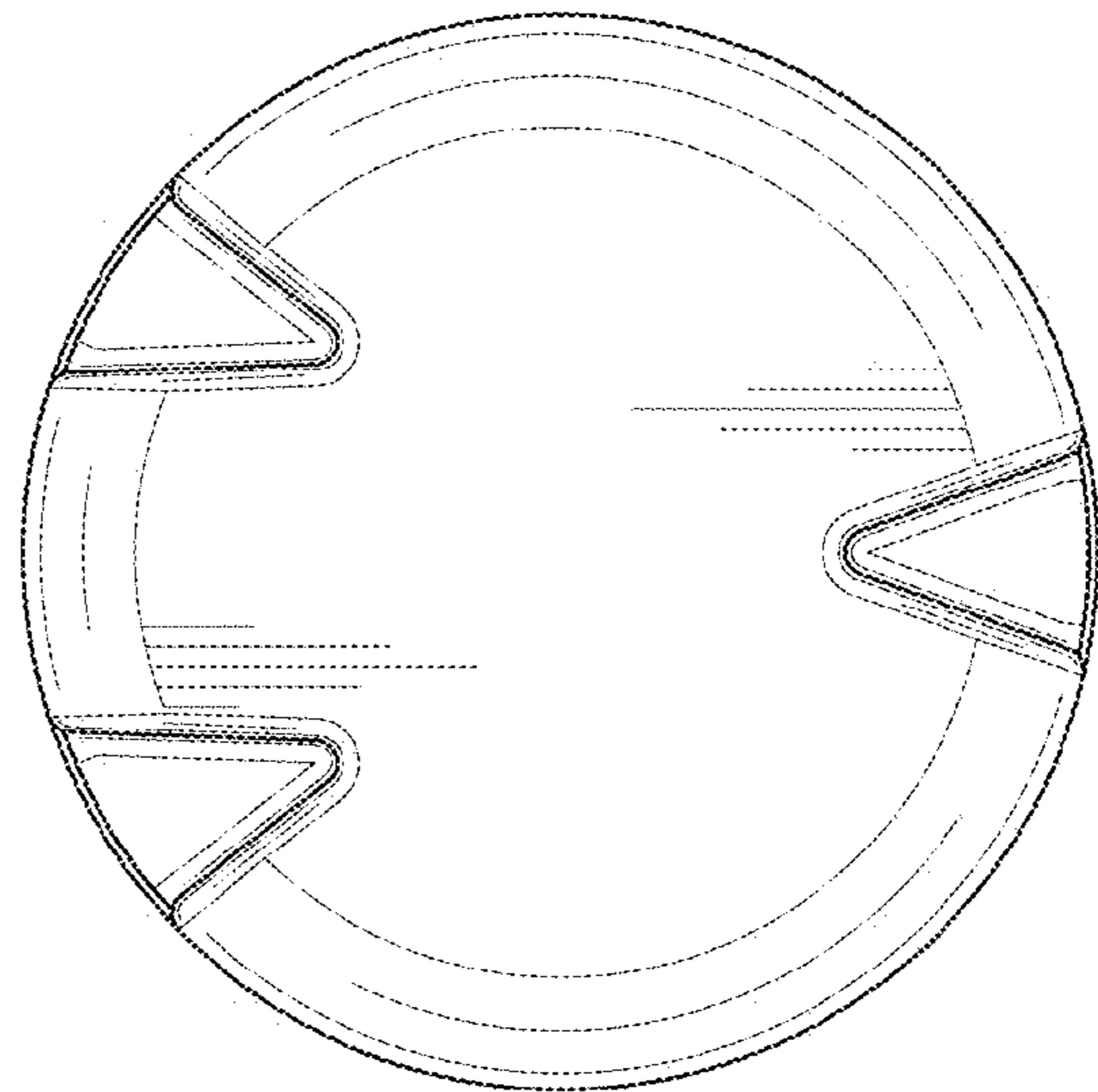


FIG. 9