



US00D937680S

(12) **United States Design Patent**  
**Aboabdo**

(10) **Patent No.:** **US D937,680 S**  
(45) **Date of Patent:** **\*\* Dec. 7, 2021**

(54) **BOTTLE**

(71) Applicant: **Chubby Gorilla, Inc.**, Fullerton, CA (US)

(72) Inventor: **Ibrahiem H. Aboabdo**, Yorba Linda, CA (US)

(73) Assignee: **Chubby Gorilla, Inc.**, Fullerton, CA (US)

(\*\*) Term: **15 Years**

(21) Appl. No.: **29/730,001**

(22) Filed: **Mar. 31, 2020**

**Related U.S. Application Data**

(62) Division of application No. 29/619,403, filed on Sep. 28, 2017, now Pat. No. Des. 886,610.

(51) **LOC (13) Cl.** ..... **09-01**

(52) **U.S. Cl.**  
USPC ..... **D9/503**

(58) **Field of Classification Search**  
USPC ..... D9/442, 503, 695-699, 702-714,  
D9/723-729; D24/199; D28/7  
(Continued)

(56) **References Cited**

**U.S. PATENT DOCUMENTS**

D221,132 S 7/1971 Schiavone  
D264,939 S 6/1982 Stock  
(Continued)

**FOREIGN PATENT DOCUMENTS**

TW D136109 8/2010

*Primary Examiner* — Janice Patyk

(74) *Attorney, Agent, or Firm* — Knobbe Martens Olson & Bear, LLP

(57) **CLAIM**

The ornamental design for a bottle, as shown and described.

**DESCRIPTION**

FIG. 1 is a top perspective view of a first embodiment of a bottle, showing my new design.

FIG. 2 is a front view thereof.

FIG. 3 is a rear view thereof.

FIG. 4 is a first side view thereof.

FIG. 5 is a second side view thereof.

FIG. 6 is a top view thereof.

FIG. 7 is a bottom view thereof.

FIG. 8 is an exploded top perspective view thereof.

FIG. 9 is an exploded front view thereof.

FIG. 10 is a cross-sectional view thereof, taken along line 10-10 of FIG. 1, shown in enlarged scale.

FIG. 11 is a top perspective view of a second embodiment of a bottle, showing my new design.

FIG. 12 is a front view thereof.

FIG. 13 is a rear view thereof.

FIG. 14 is a first side view thereof.

FIG. 15 is a second side view thereof.

FIG. 16 is a top view thereof.

FIG. 17 is a bottom view thereof.

FIG. 18 is an exploded top perspective view thereof.

FIG. 19 is an exploded front view thereof.

FIG. 20 is a cross-sectional view thereof, taken along line 20-20 of FIG. 11, shown in enlarged scale.

FIG. 21 is a top perspective view of a third embodiment of a bottle, showing my new design.

FIG. 22 is a front view thereof.

FIG. 23 is a rear view thereof.

FIG. 24 is a first side view thereof.

FIG. 25 is a second side view thereof.

FIG. 26 is a top view thereof.

FIG. 27 is a bottom view thereof.

FIG. 28 is an exploded top perspective view thereof.

FIG. 29 is an exploded front view thereof.

FIG. 30 is a cross-sectional view thereof, taken along line 30-30 of FIG. 21, shown in enlarged scale.

FIG. 31 is a top perspective view of a fourth embodiment of a bottle, showing my new design.

(Continued)

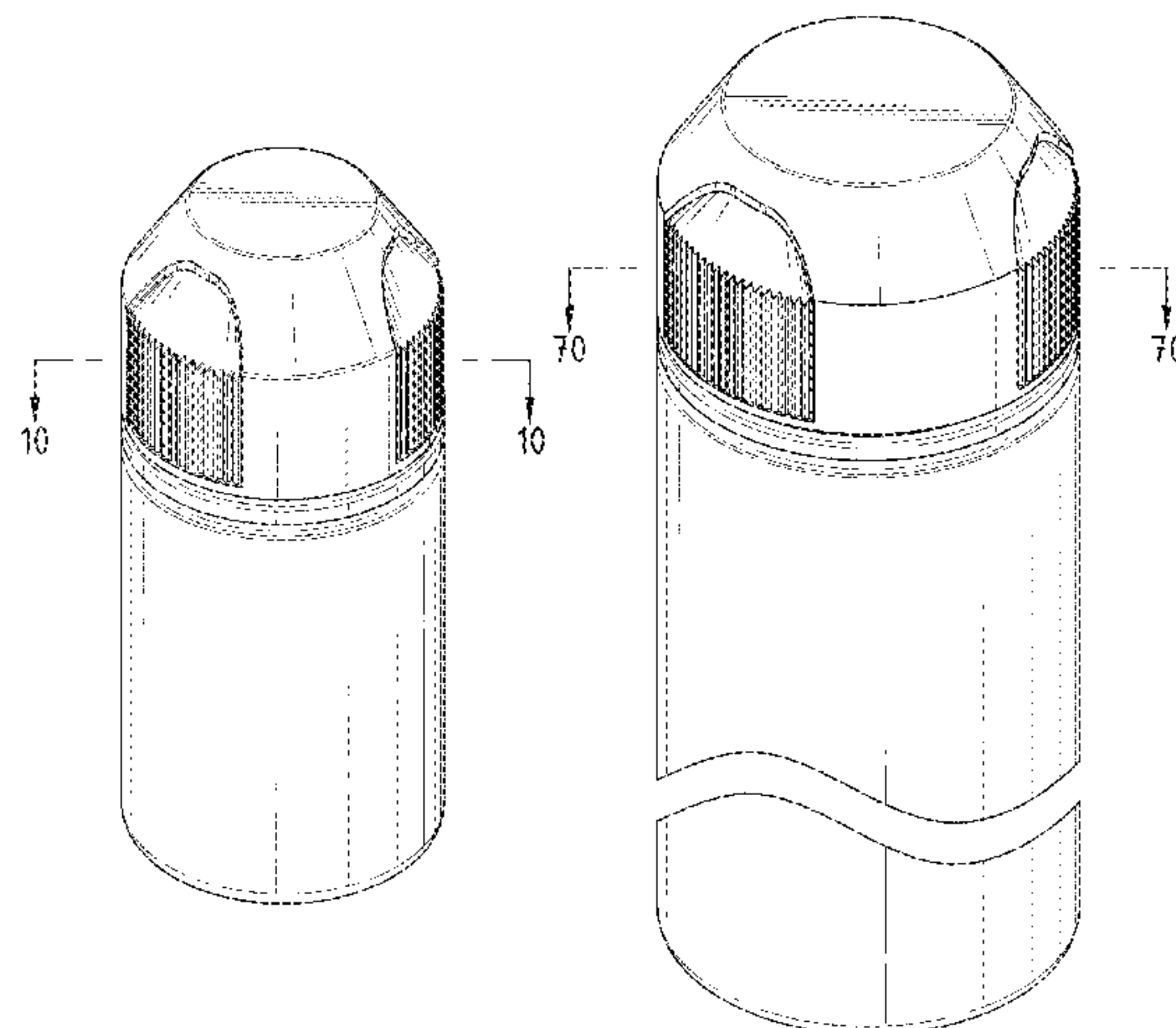


FIG. 32 is a front view thereof.  
 FIG. 33 is a rear view thereof.  
 FIG. 34 is a first side view thereof.  
 FIG. 35 is a second side view thereof.  
 FIG. 36 is a top view thereof.  
 FIG. 37 is a bottom view thereof.  
 FIG. 38 is an exploded top perspective view thereof.  
 FIG. 39 is an exploded front view thereof.  
 FIG. 40 is a cross-sectional view thereof, taken along line 40-40 of FIG. 31, shown in enlarged scale.  
 FIG. 41 is a top perspective view of a fifth embodiment of a bottle, showing my new design.  
 FIG. 42 is a front view thereof.  
 FIG. 43 is a rear view thereof.  
 FIG. 44 is a first side view thereof.  
 FIG. 45 is a second side view thereof.  
 FIG. 46 is a top view thereof.  
 FIG. 47 is a bottom view thereof.  
 FIG. 48 is an exploded top perspective view thereof.  
 FIG. 49 is an exploded front view thereof.  
 FIG. 50 is a cross-sectional view thereof, taken along line 50-50 of FIG. 41, shown in enlarged scale.  
 FIG. 51 is a top perspective view of a sixth embodiment of a bottle, showing my new design.  
 FIG. 52 is a front view thereof.  
 FIG. 53 is a rear view thereof.  
 FIG. 54 is a first side view thereof.  
 FIG. 55 is a second side view thereof.  
 FIG. 56 is a top view thereof.  
 FIG. 57 is a bottom view thereof.  
 FIG. 58 is an exploded top perspective view thereof.  
 FIG. 59 is an exploded front view thereof.  
 FIG. 60 is a cross-sectional view thereof, taken along line 60-60 of FIG. 51, shown in enlarged scale.  
 FIG. 61 is a top perspective view of a seventh embodiment of a bottle, showing my new design.  
 FIG. 62 is a front view thereof.  
 FIG. 63 is a rear view thereof.  
 FIG. 64 is a first side view thereof.  
 FIG. 65 is a second side view thereof.  
 FIG. 66 is a top view thereof.

FIG. 67 is a bottom view thereof.  
 FIG. 68 is an exploded top perspective view thereof.  
 FIG. 69 is an exploded front view thereof; and,  
 FIG. 70 is a cross-sectional view thereof, taken along line 70-70 of FIG. 61, shown in enlarged scale.  
 The bottle has been shown with symbolic breaks in FIGS. 11-15, 18-20, 61-65, and 68-70. The appearance of any portion of the article between the break lines forms no part of the claimed design.  
 The broken lines in the figures illustrate the portions of the design that form no part of the claimed design.

**1 Claim, 45 Drawing Sheets**

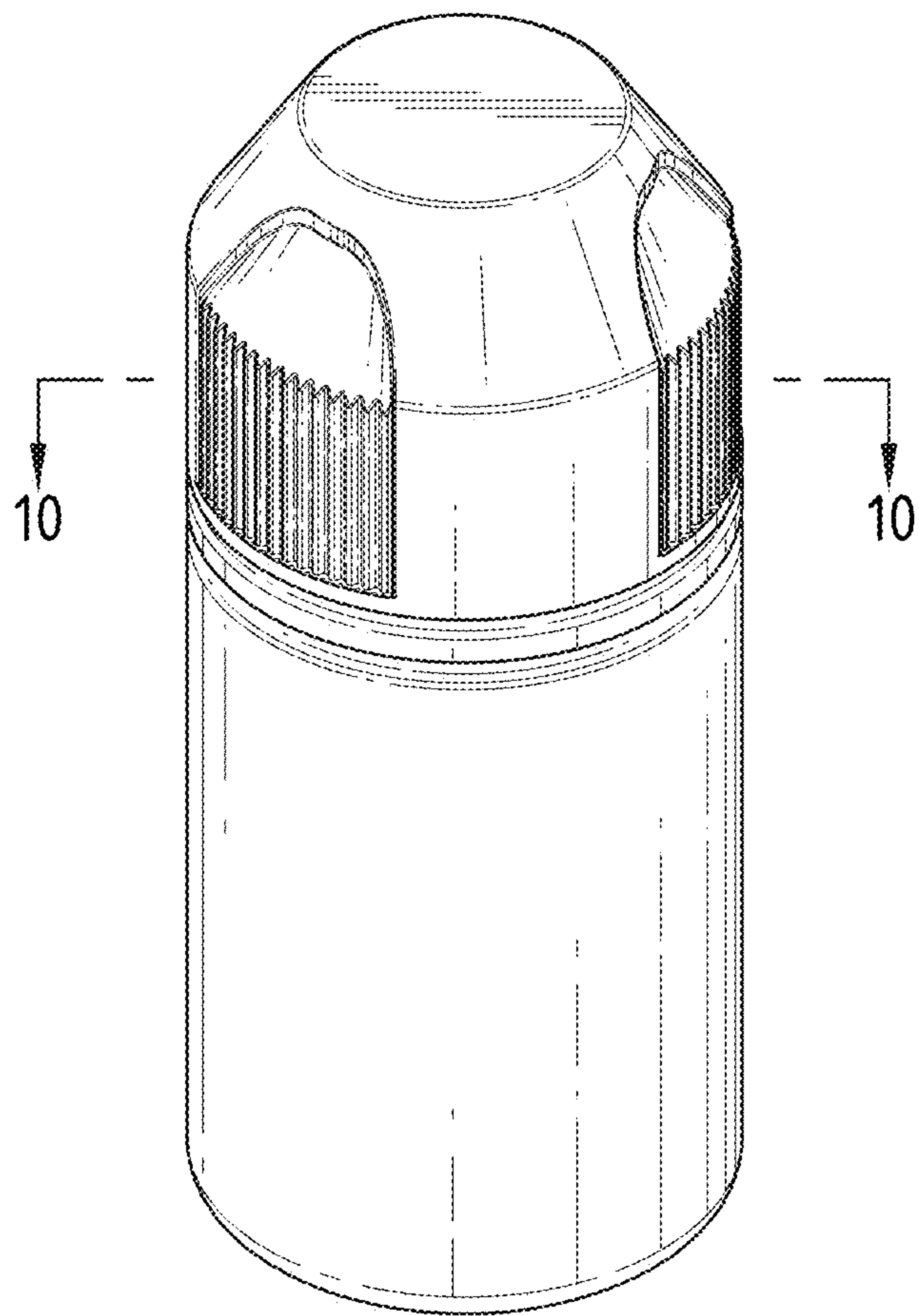
(58) **Field of Classification Search**  
 CPC ..... A45D 34/00; A45D 40/00; B65D 81/3272  
 See application file for complete search history.

(56) **References Cited**

U.S. PATENT DOCUMENTS

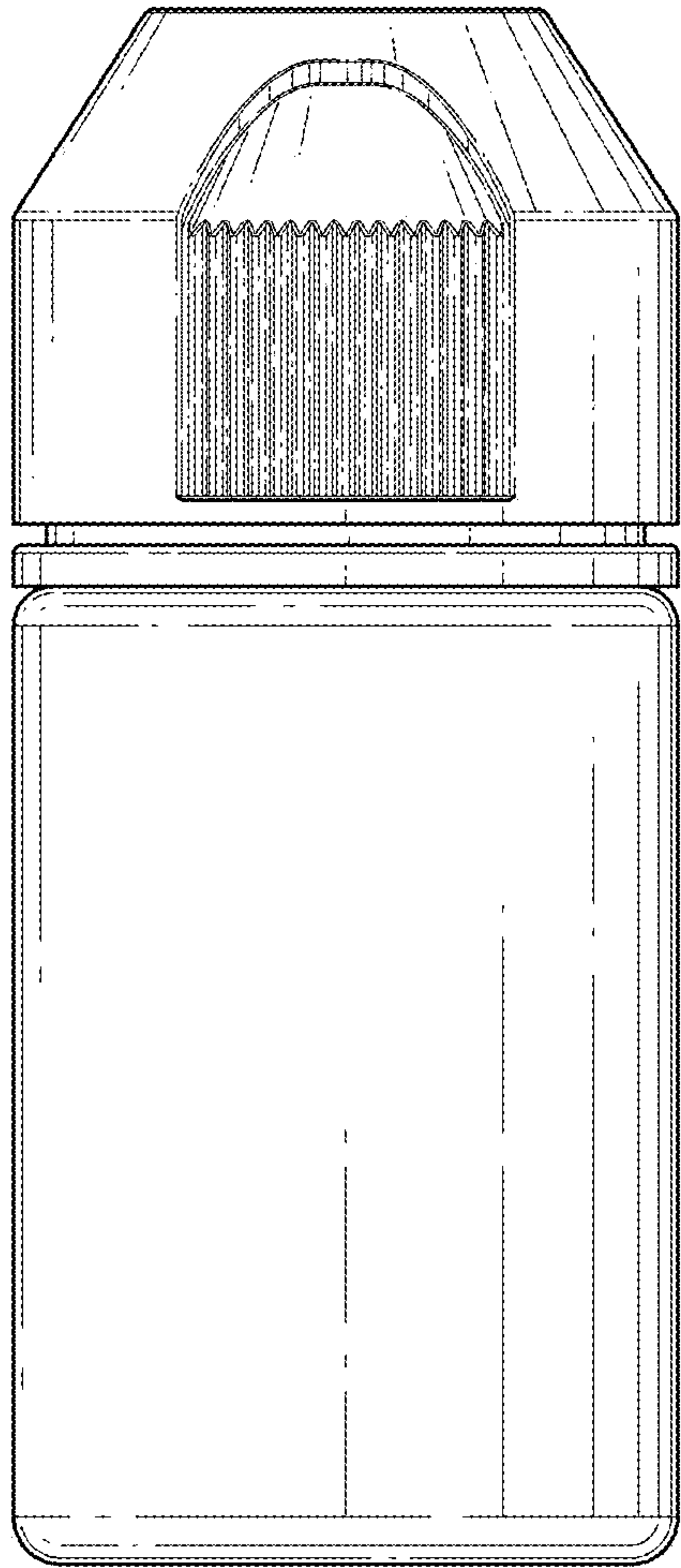
D280,492	S	9/1985	Greaves	
5,263,615	A	11/1993	Anderson	
5,918,752	A *	7/1999	Meyer .....	B65D 50/041 215/204
D451,396	S	12/2001	Johnson	
6,334,557	B1	1/2002	Yang	
D524,037	S	7/2006	Van Horn	
D591,168	S *	4/2009	Otsuka .....	D9/724
8,444,610	B2	5/2013	Grevin	
D705,070	S	5/2014	Zheng	
D732,400	S	6/2015	Hua	
D742,019	S	10/2015	Montgomery	
D768,506	S *	10/2016	Hua .....	D9/724
D770,287	S *	11/2016	Holaschke .....	D9/503
D811,220	S *	2/2018	Montenegro .....	D9/453
D834,950	S *	12/2018	Aboabdo .....	D9/503
2004/0182814	A1	9/2004	Suffa	
2006/0111680	A1 *	5/2006	Spada .....	B65D 47/18 604/295
2010/0145287	A1	6/2010	Grevin	

\* cited by examiner

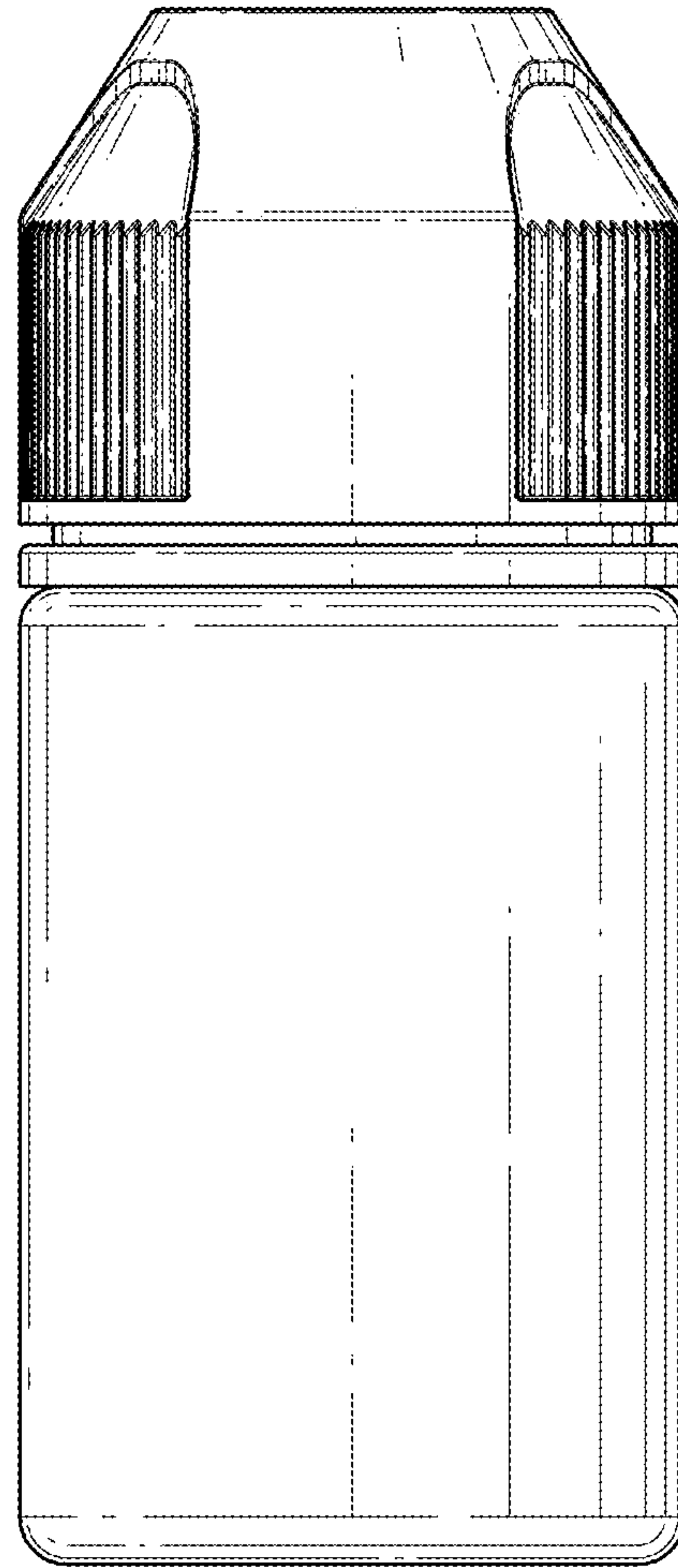


*FIG. 1*

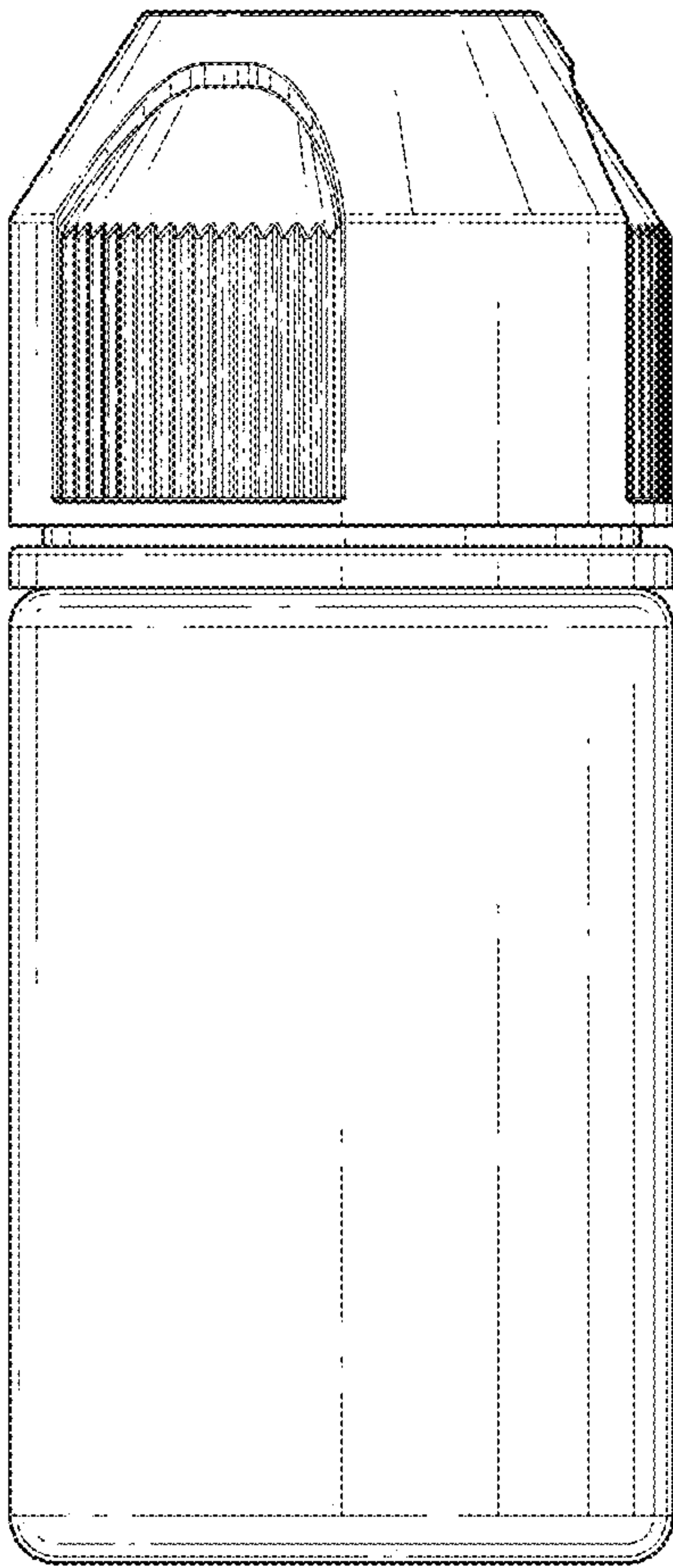




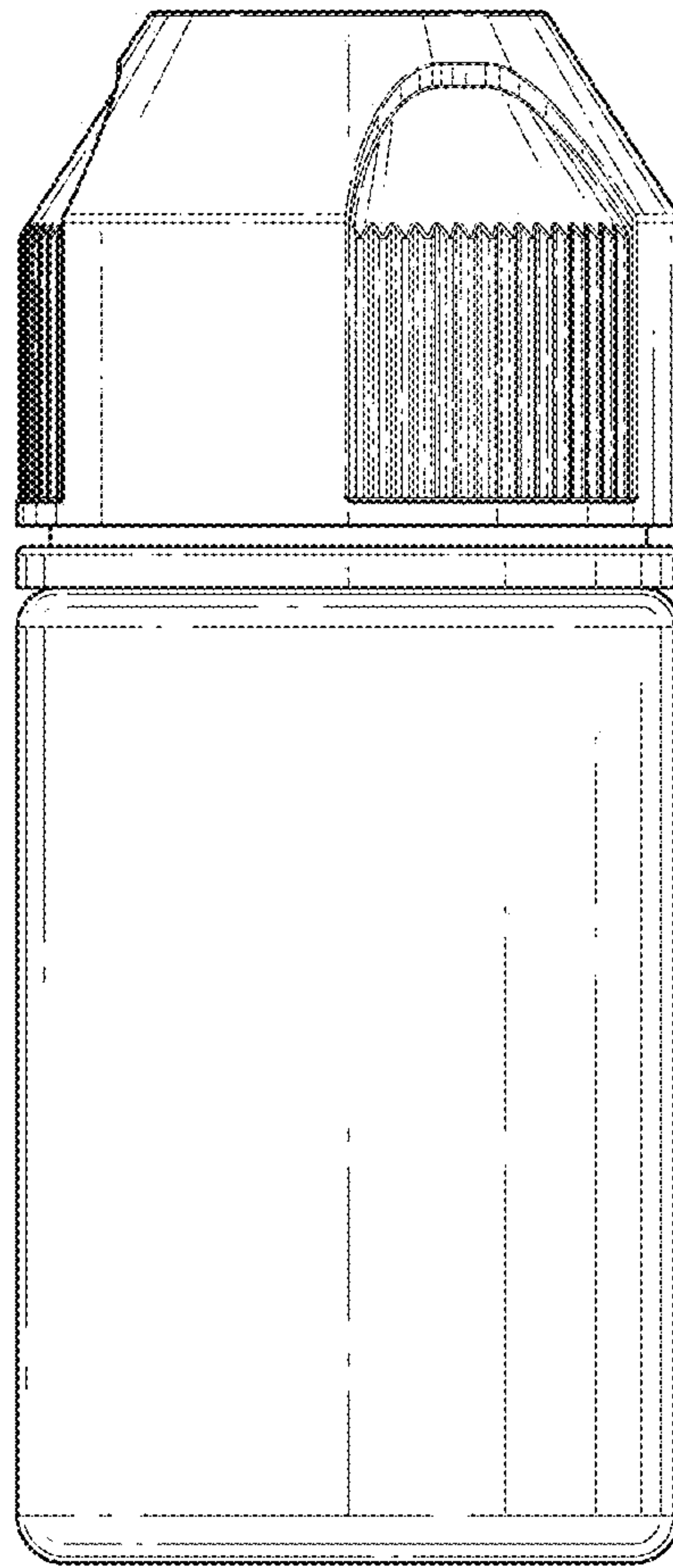
*FIG. 2*



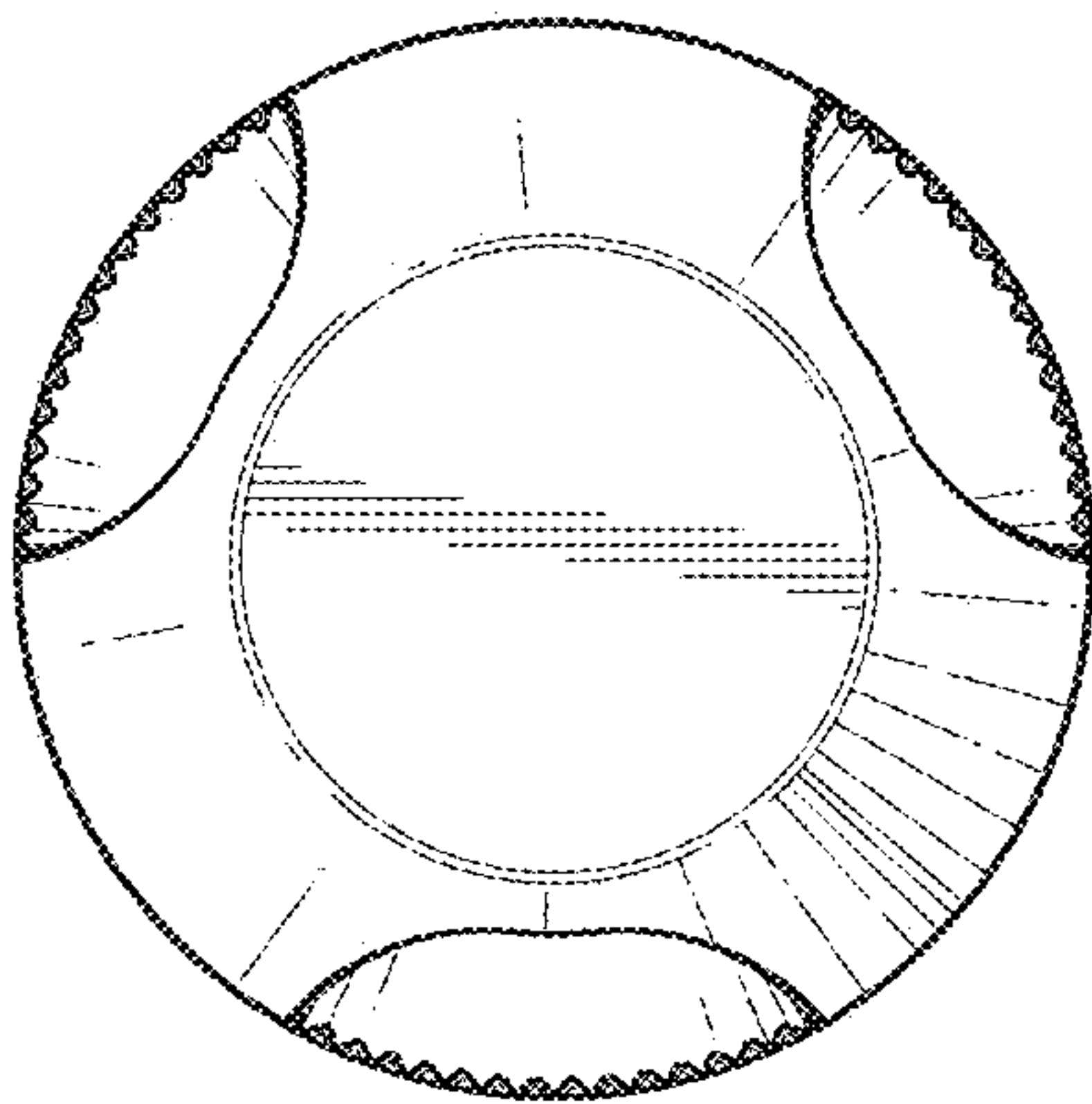
*FIG. 3*



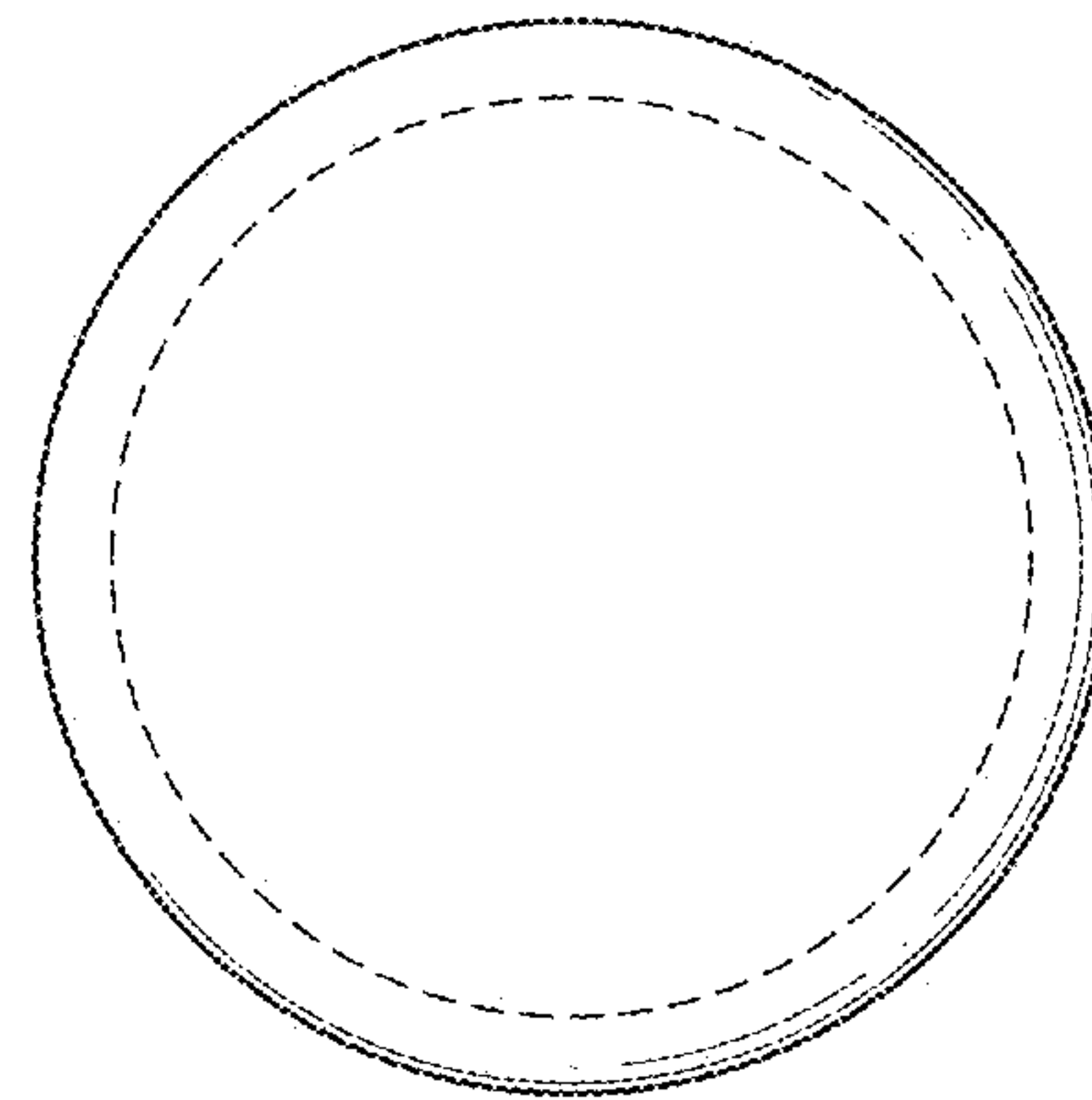
*FIG. 4*



*FIG. 5*



*FIG. 6*



*FIG. 7*

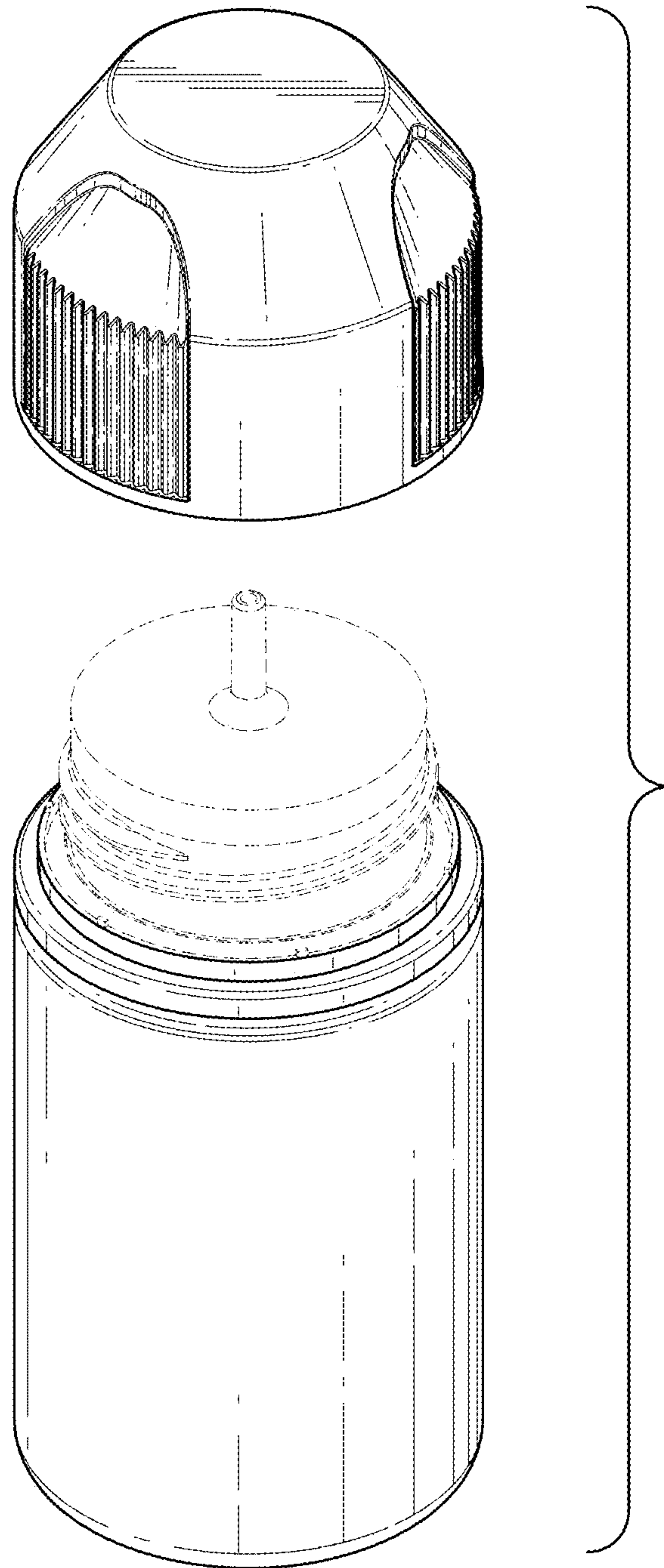


FIG. 8

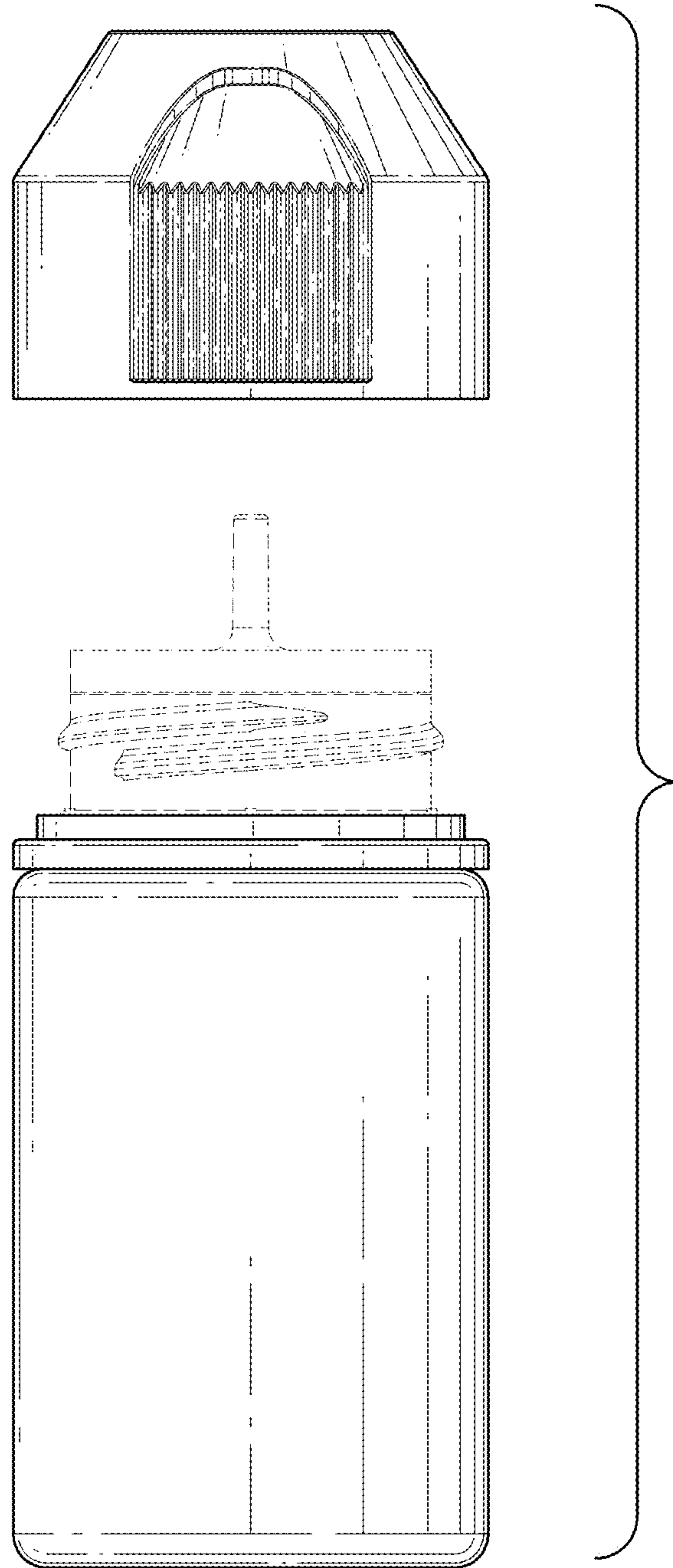
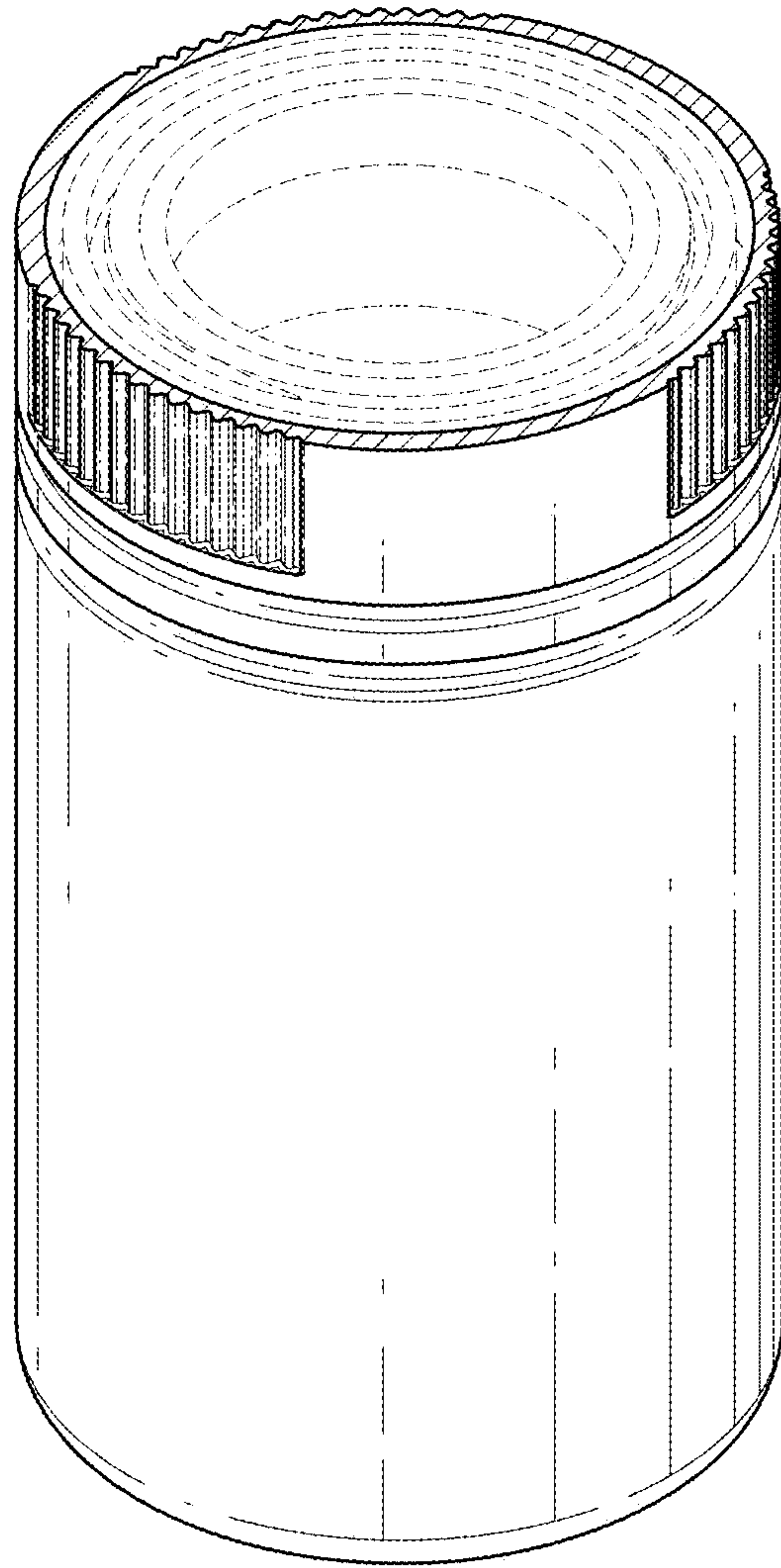


FIG. 9



*FIG. 10*



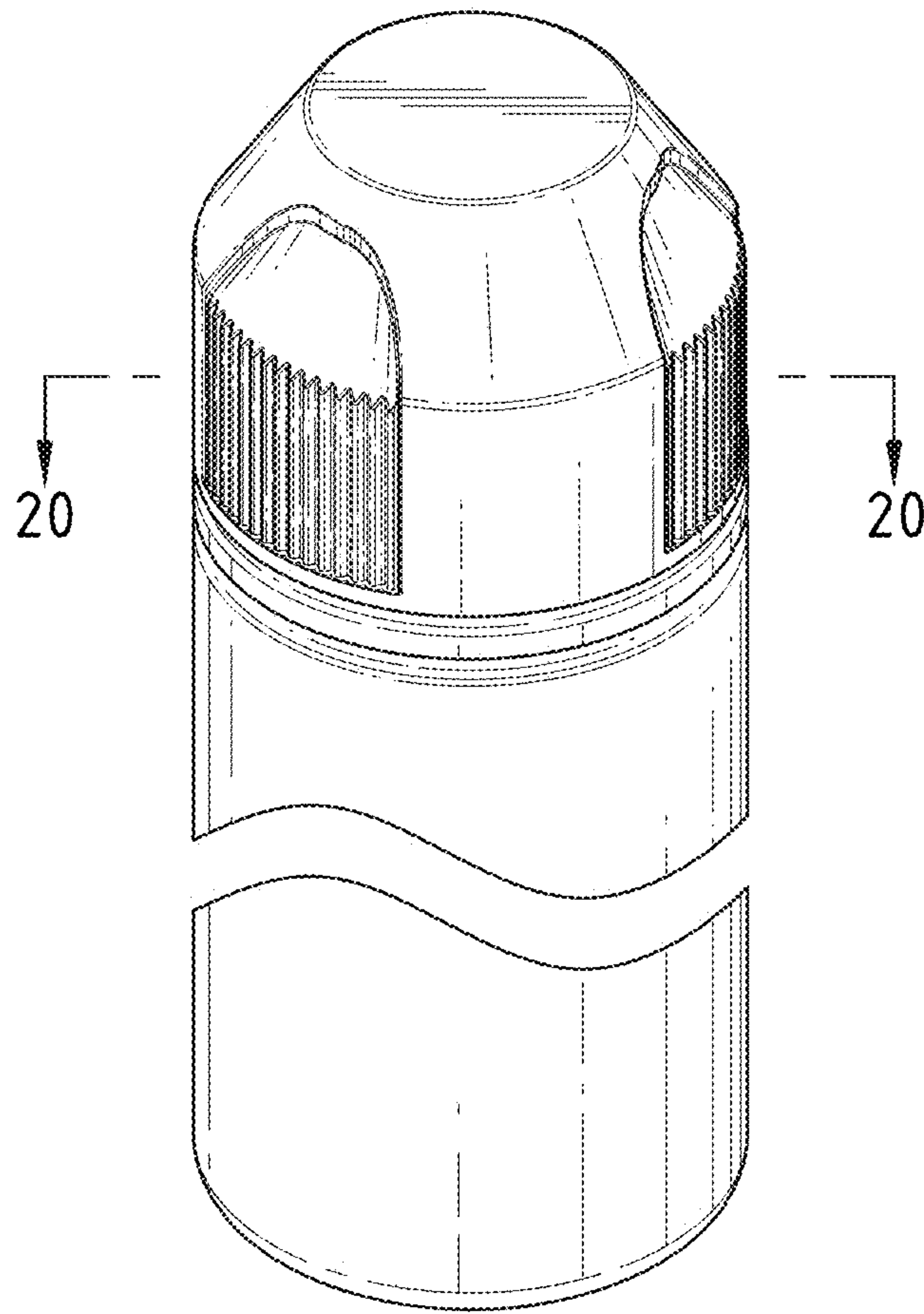
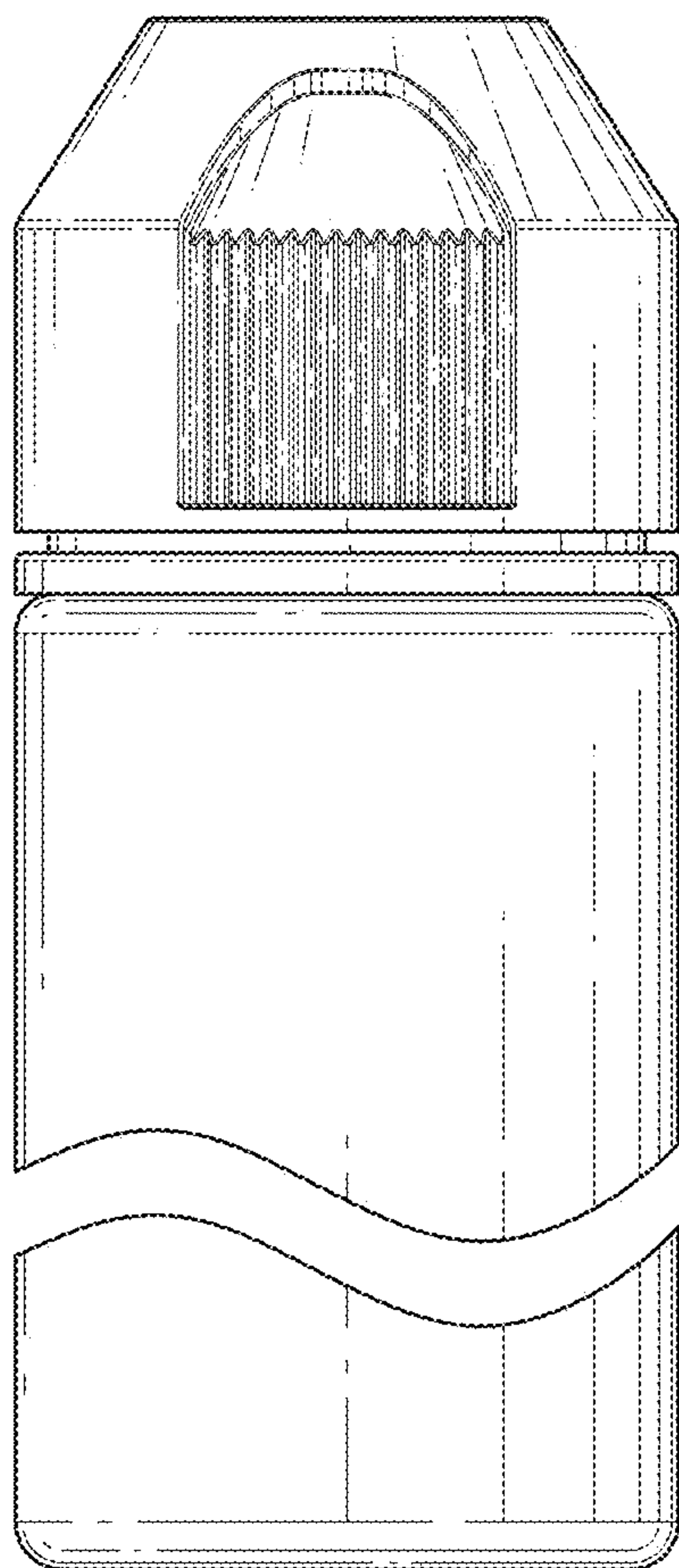
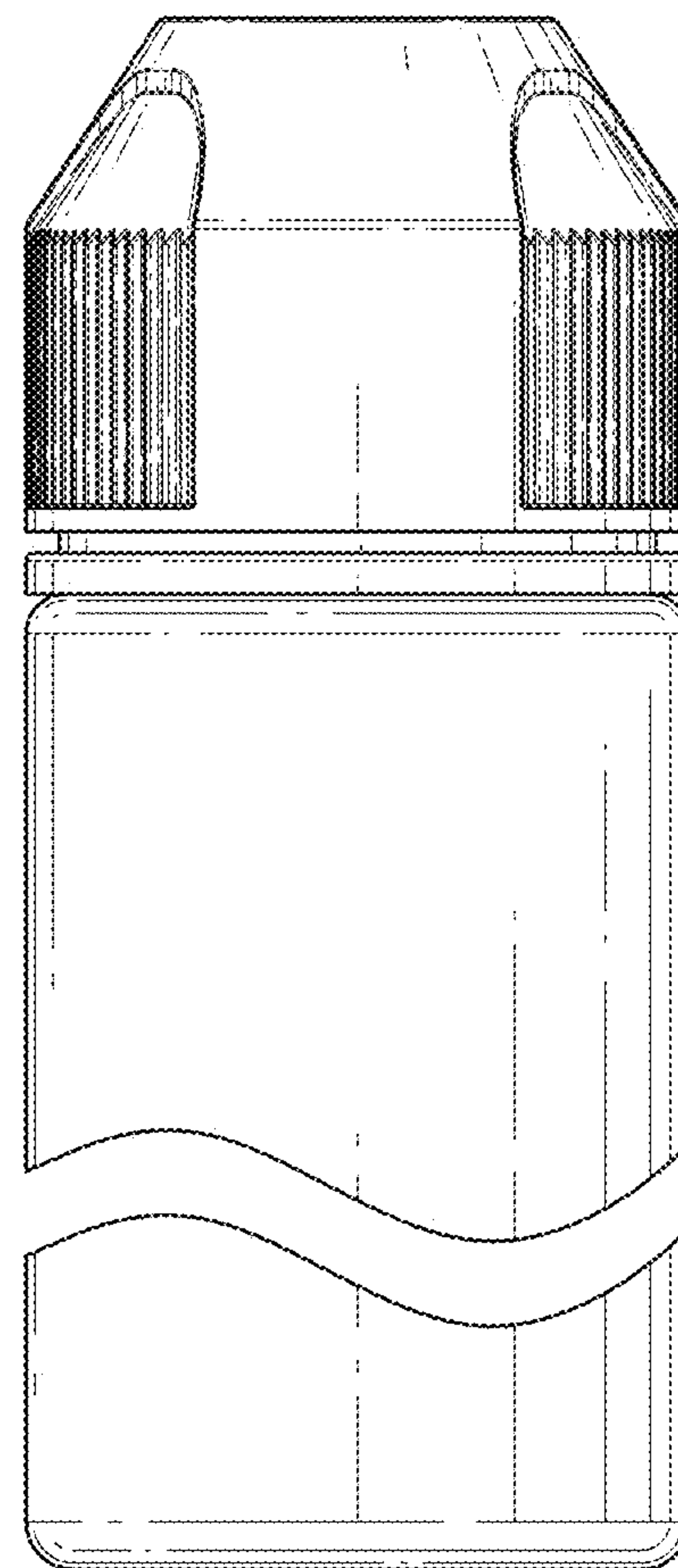


FIG. 11



*FIG. 12*



*FIG. 13*

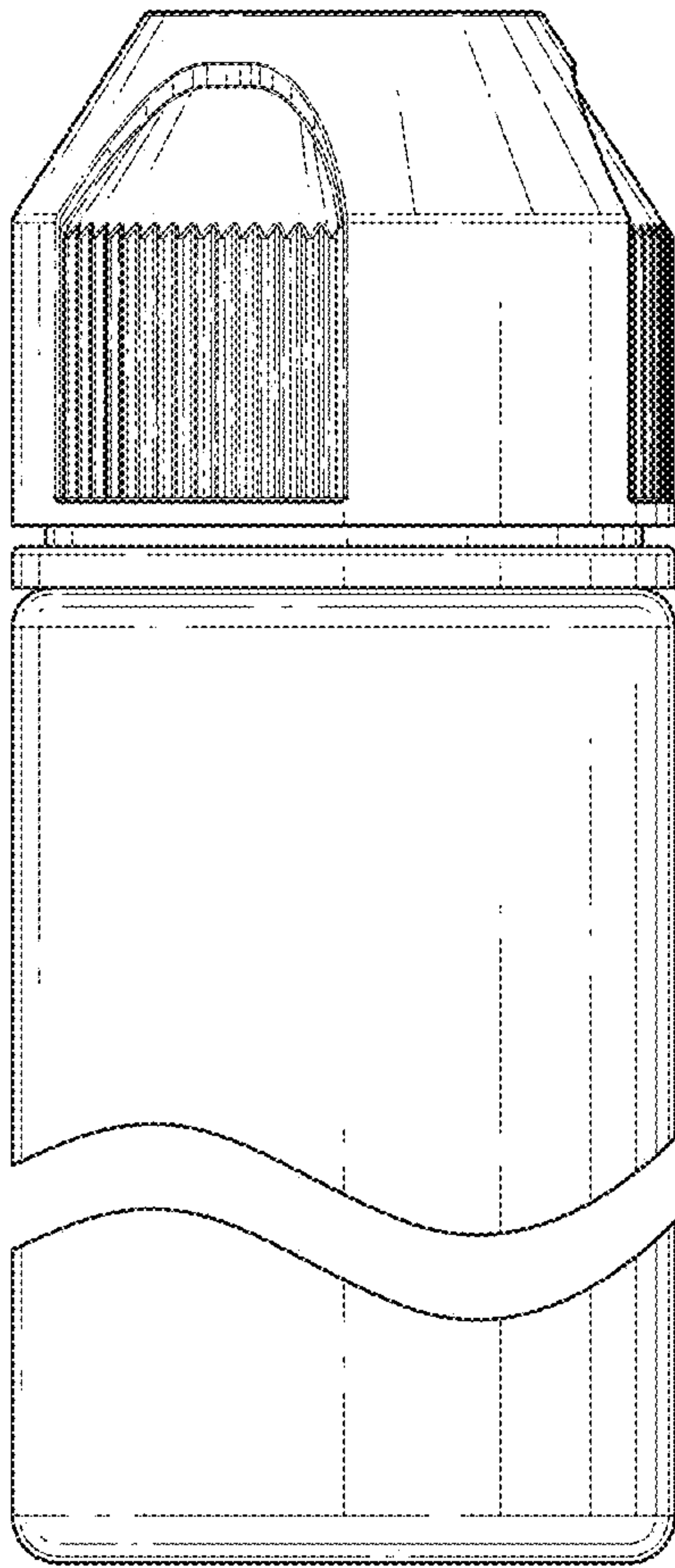


FIG. 14

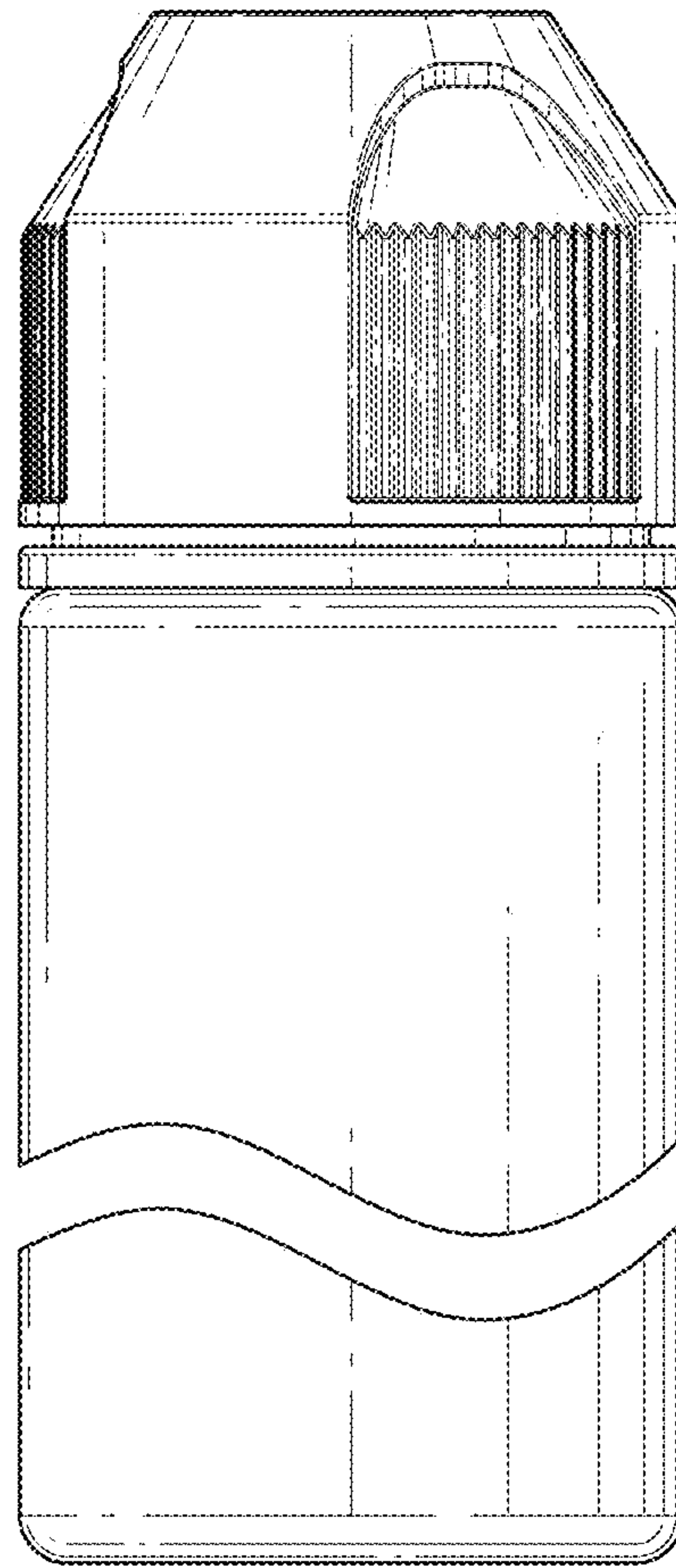


FIG. 15

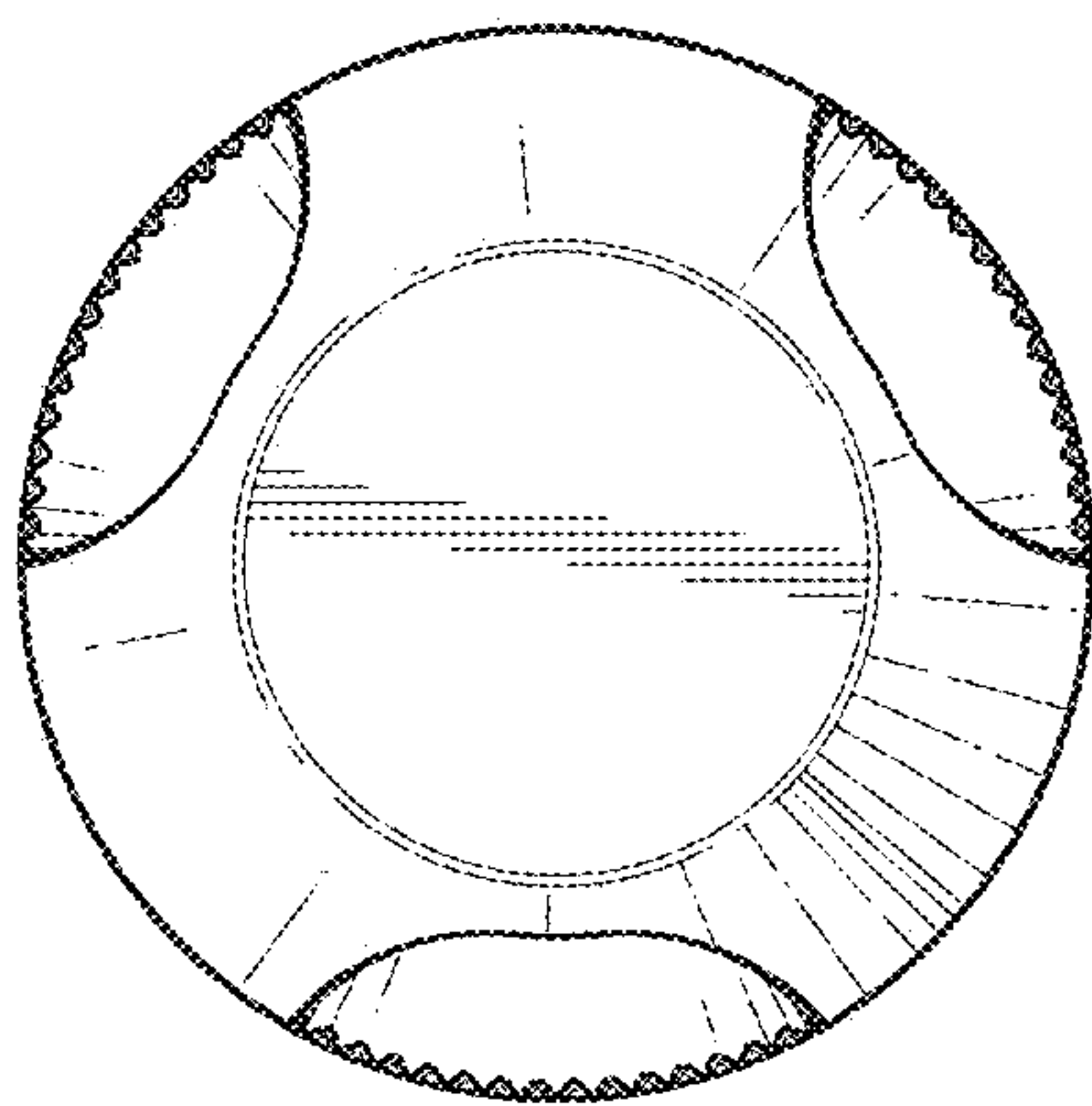


FIG. 16

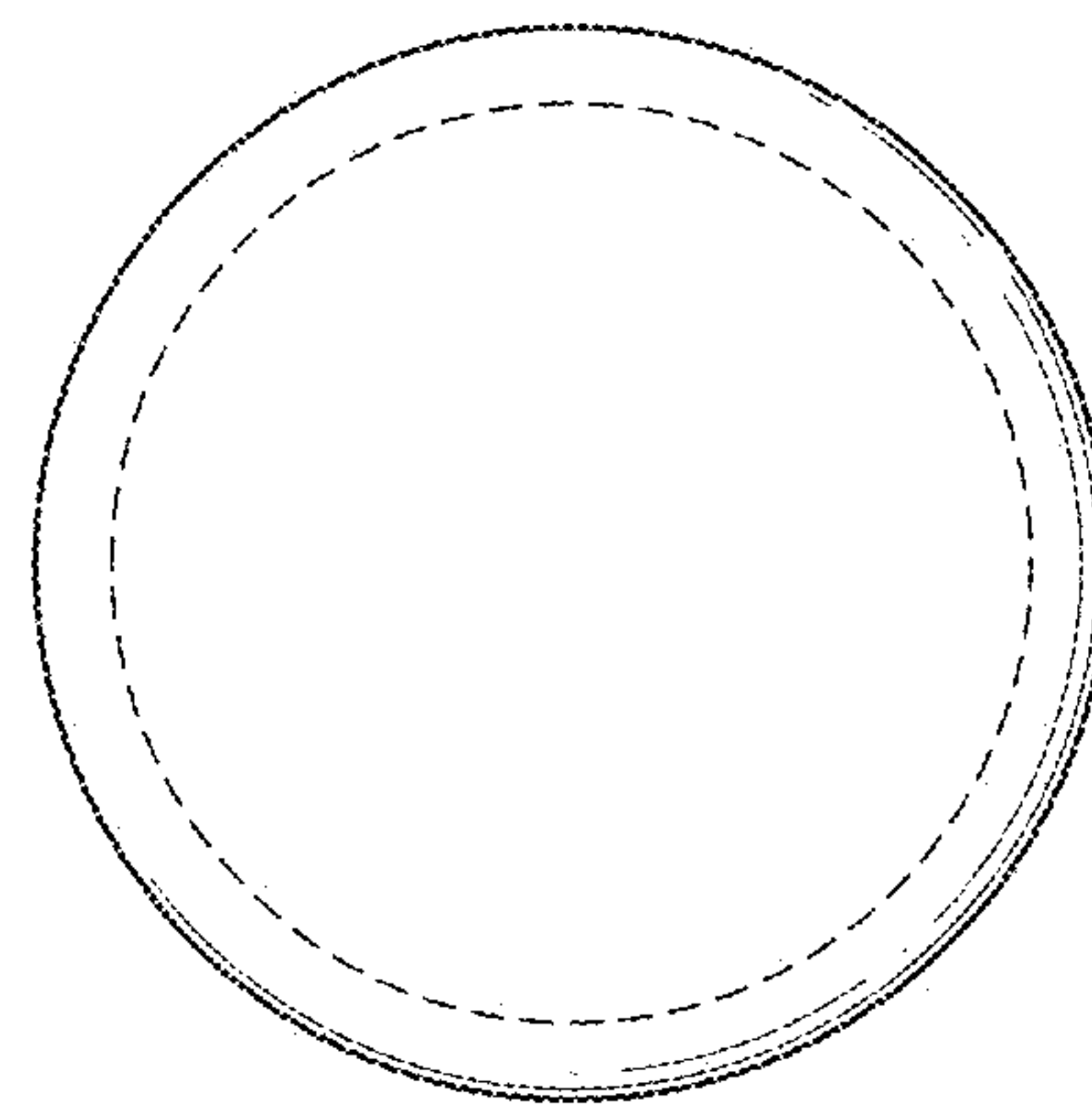


FIG. 17

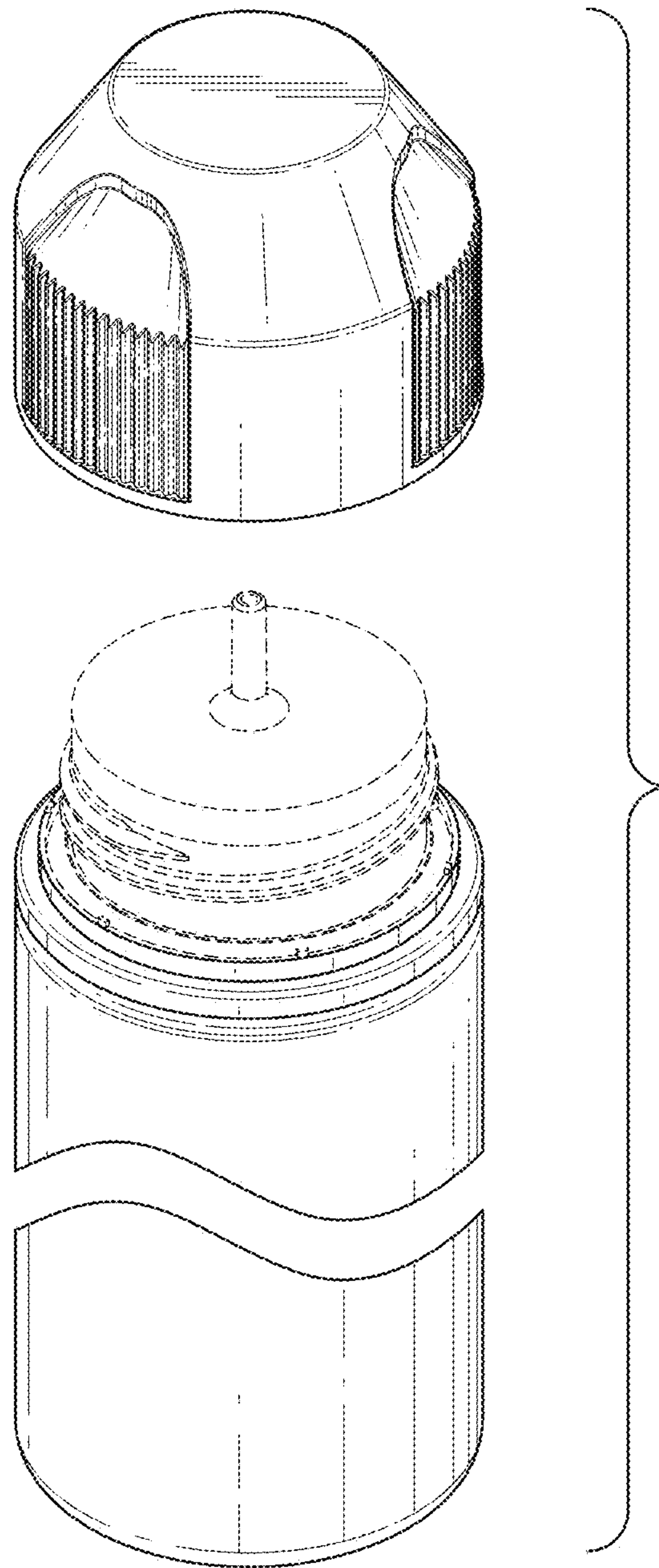


FIG. 18



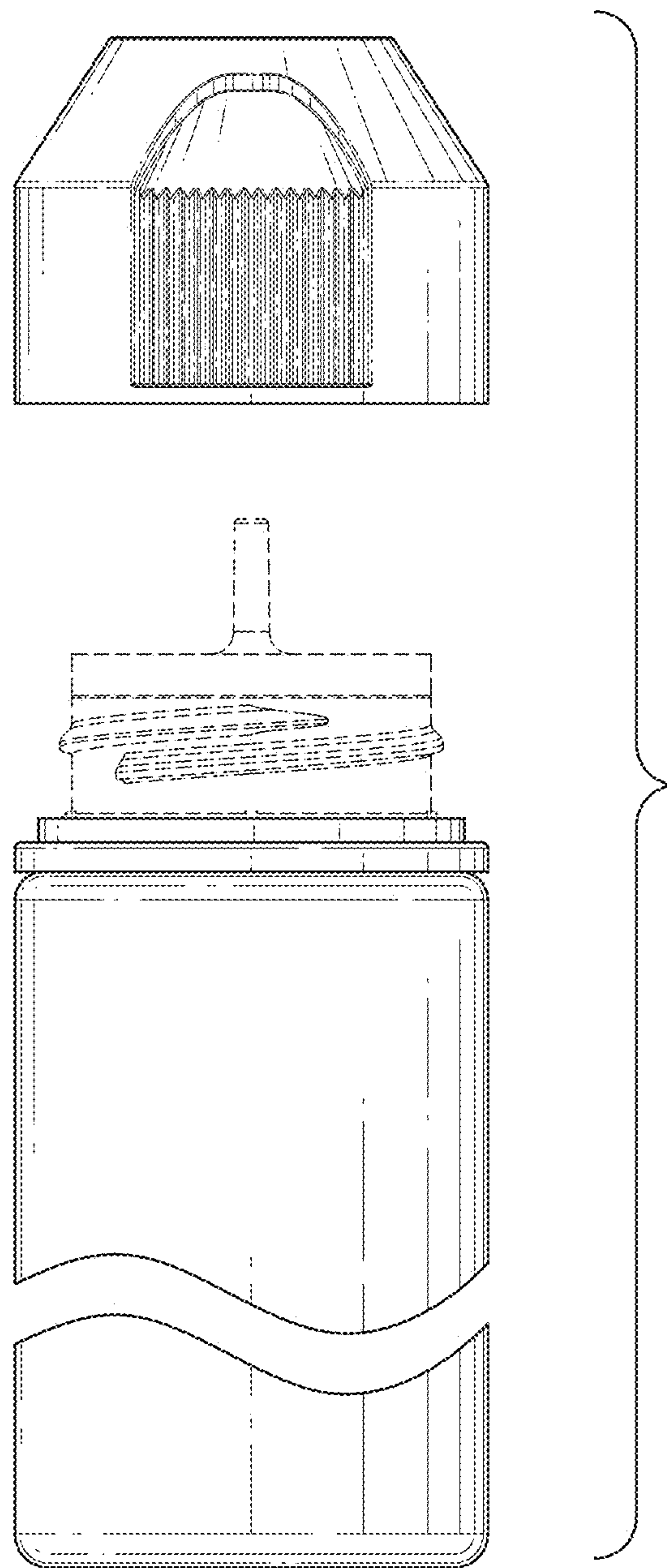
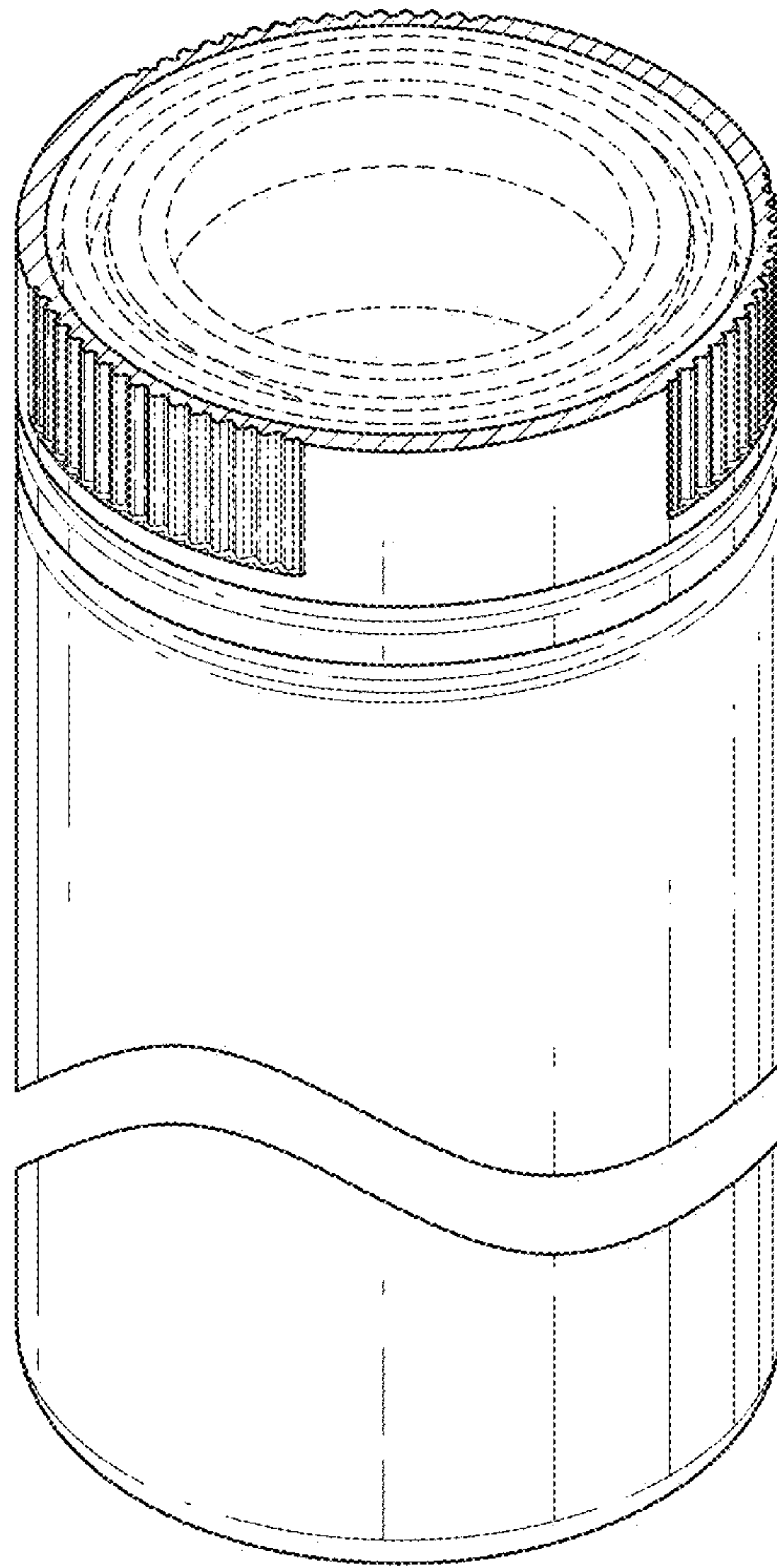


FIG. 19



*FIG. 20*

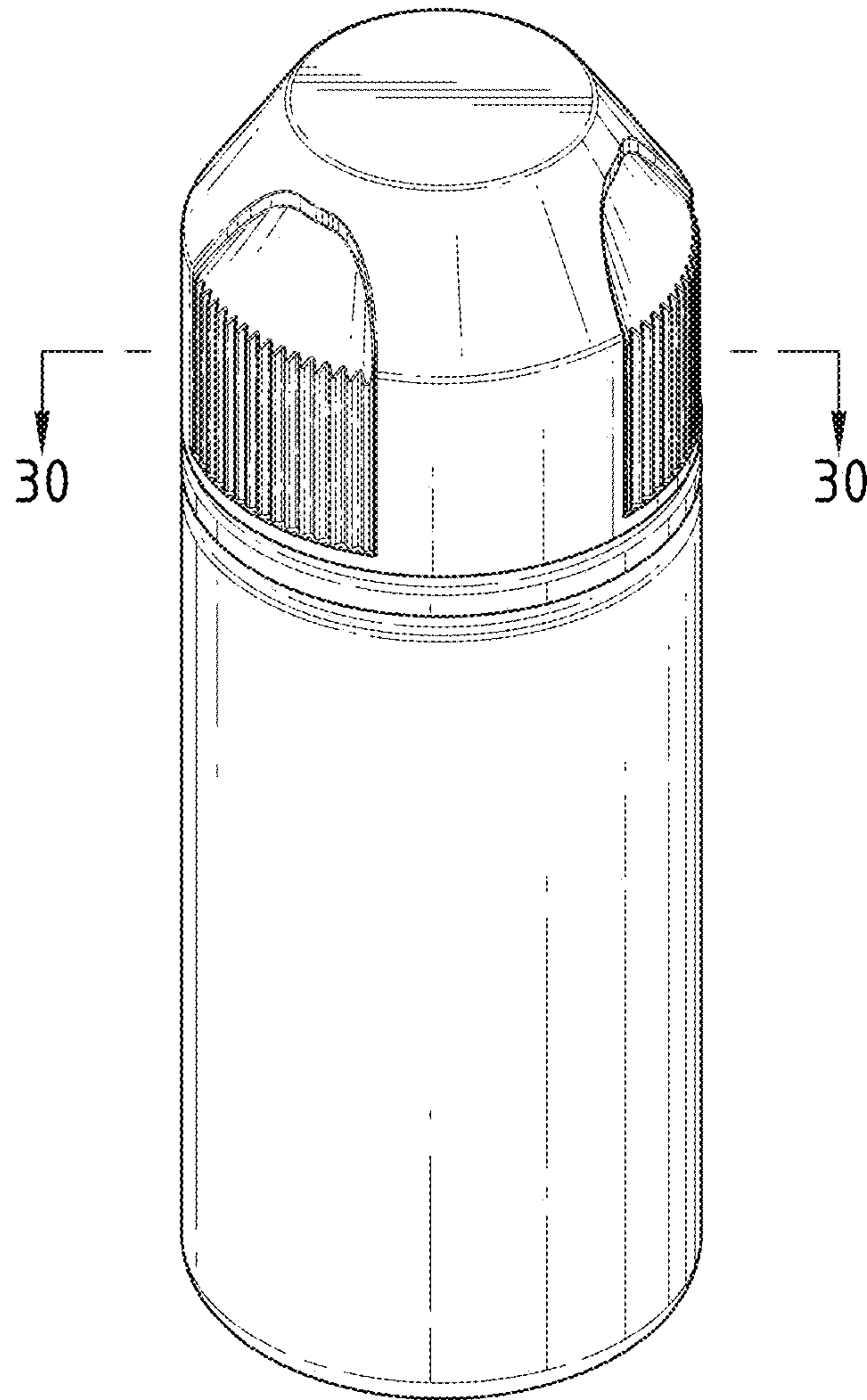
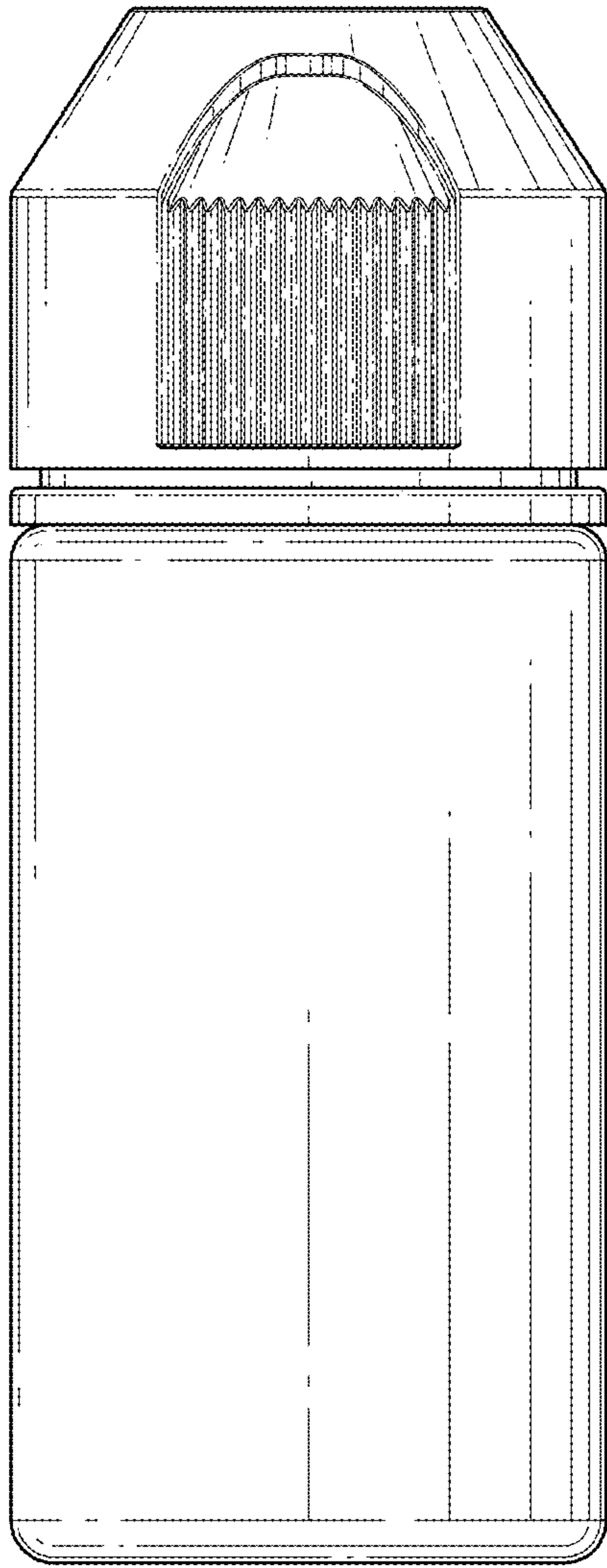
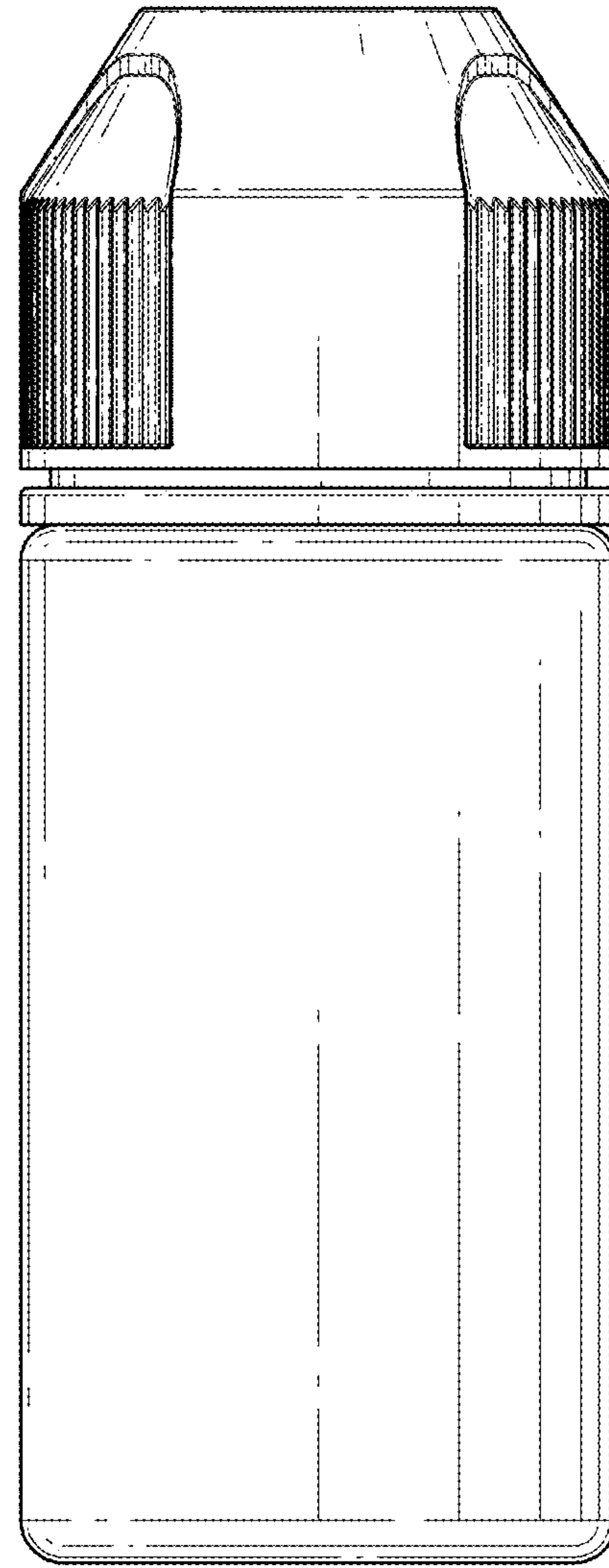


FIG. 21



*FIG. 22*



*FIG. 23*



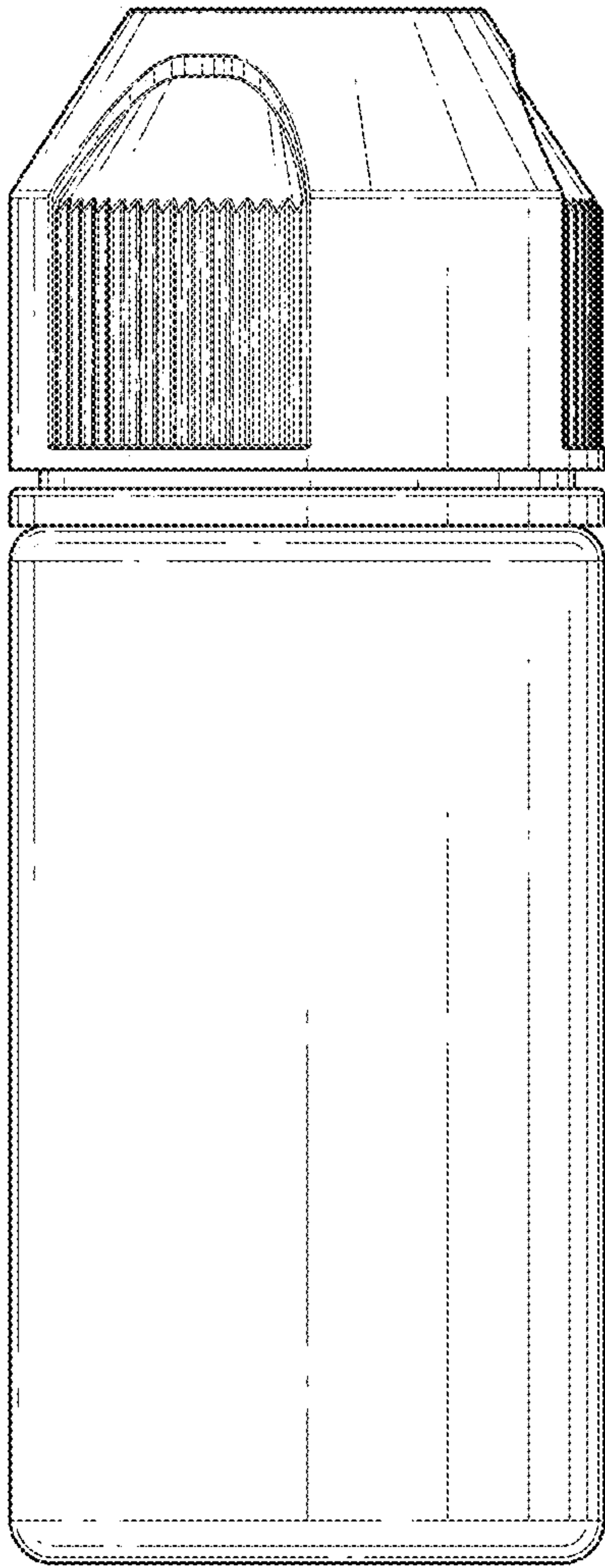


FIG. 24

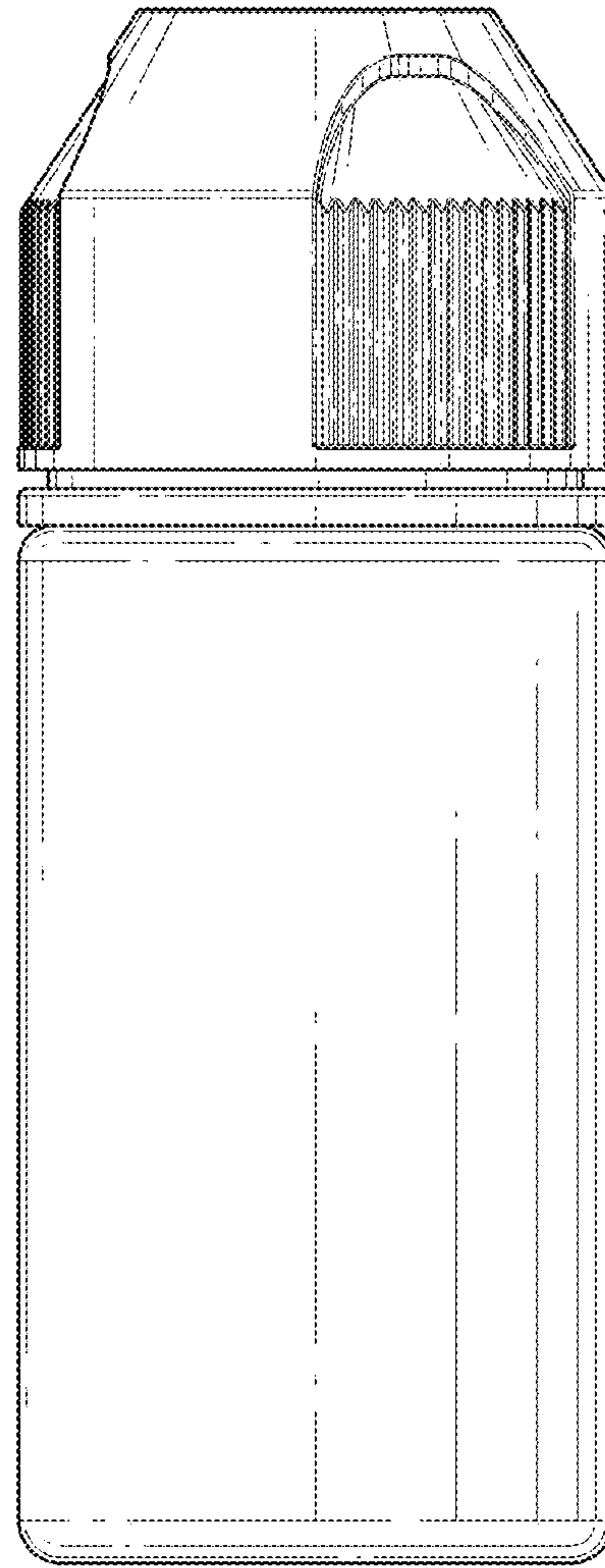


FIG. 25

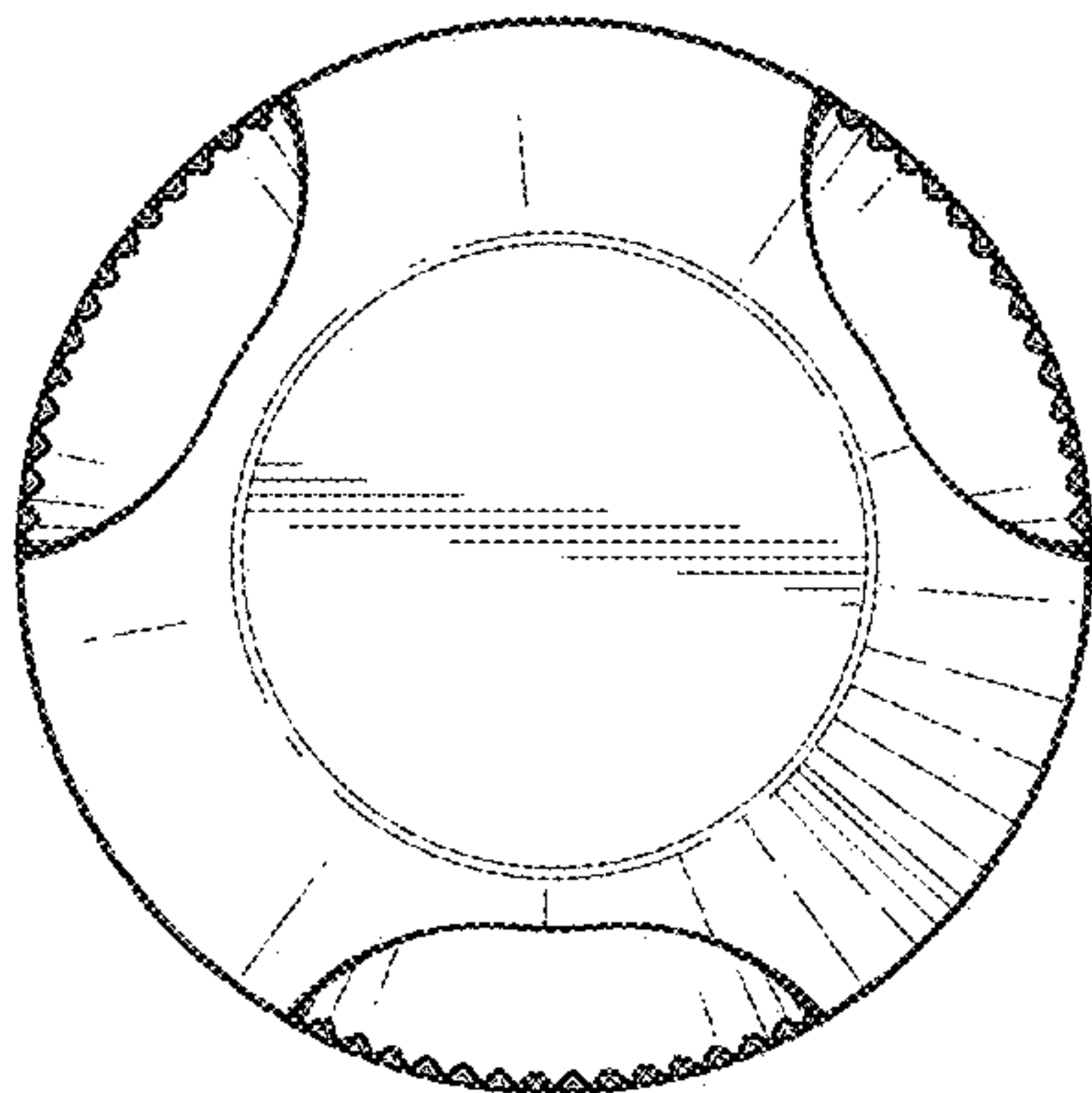


FIG. 26

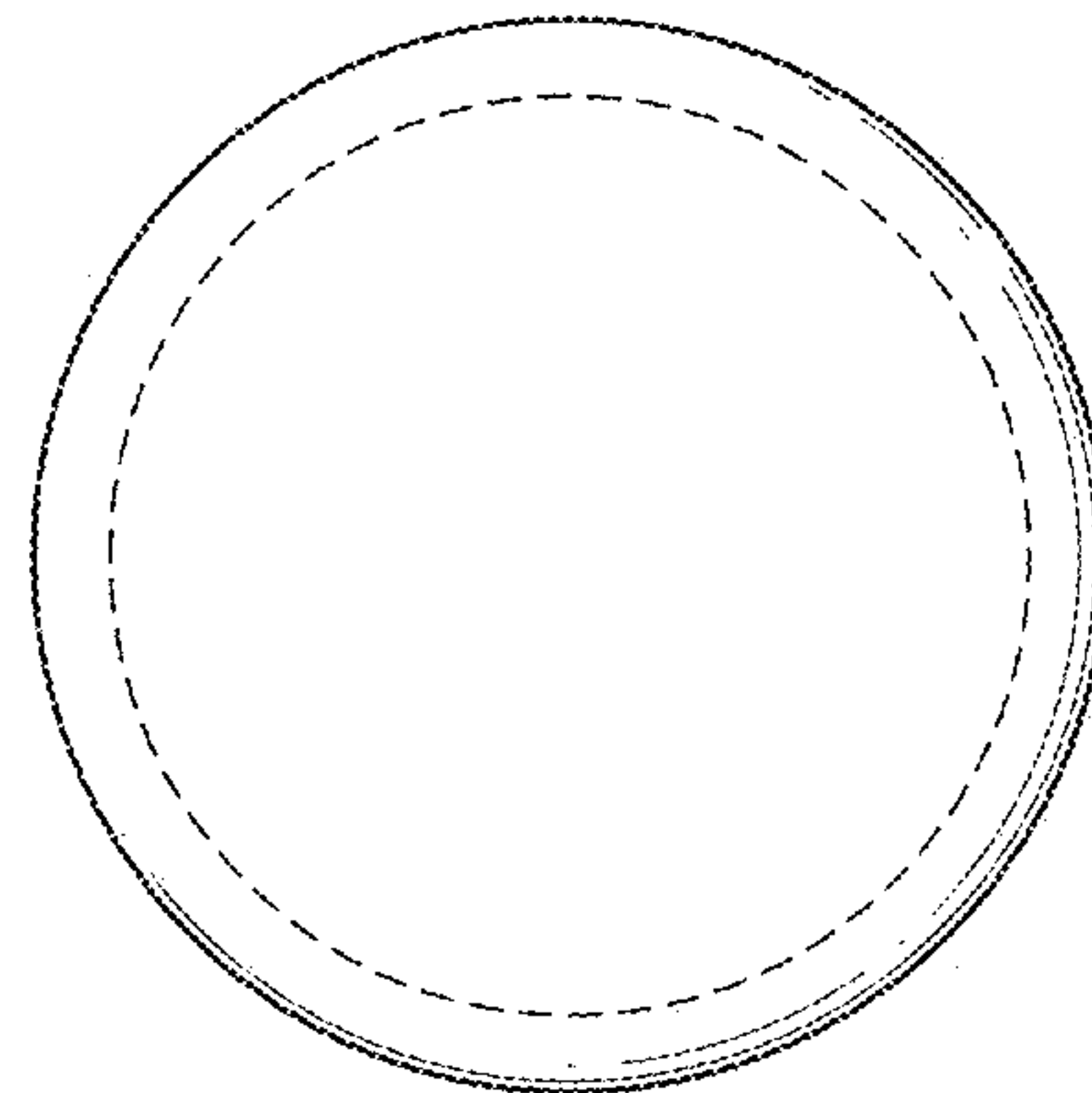


FIG. 27

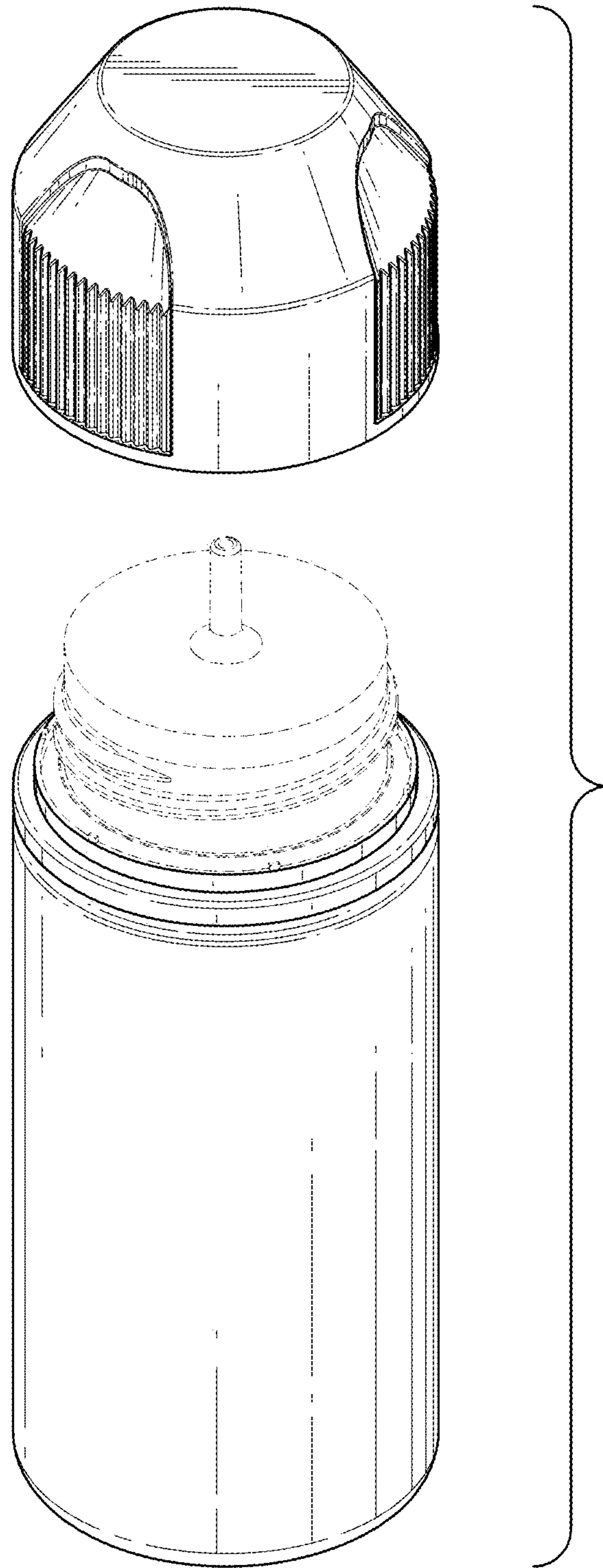


FIG. 28

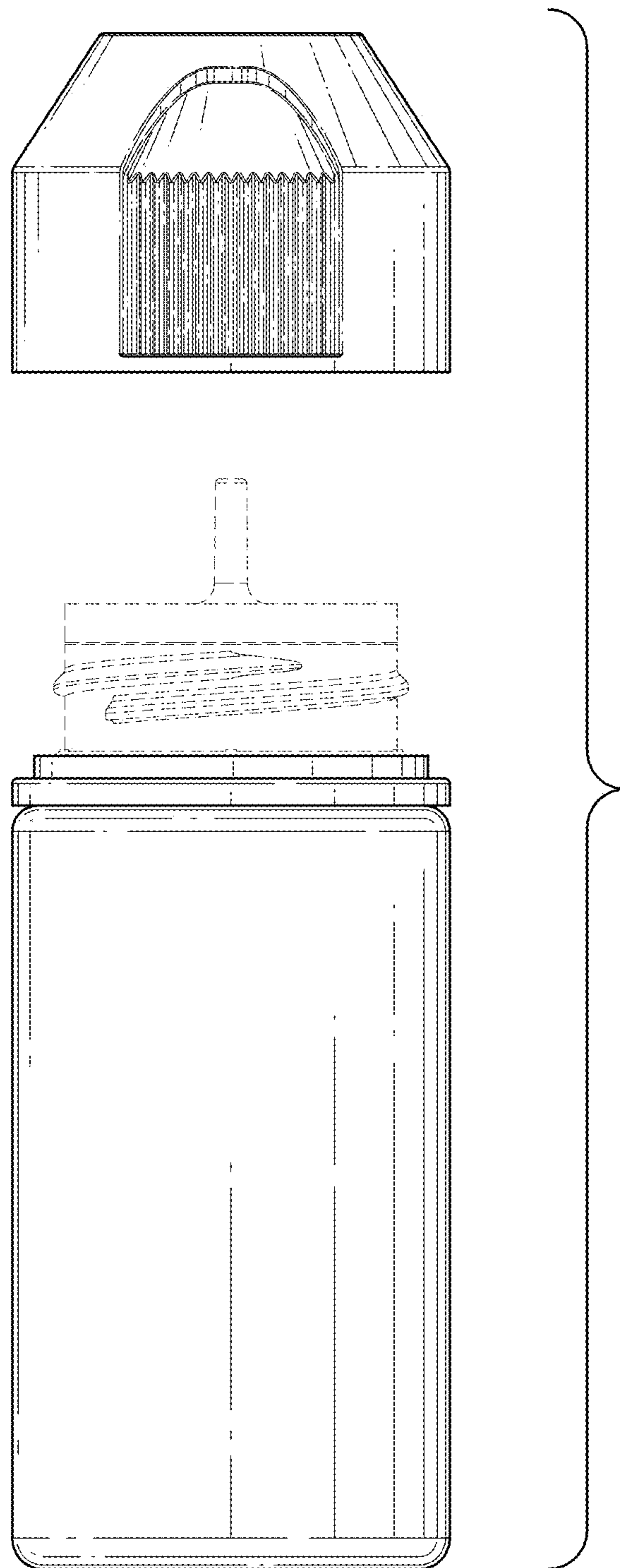
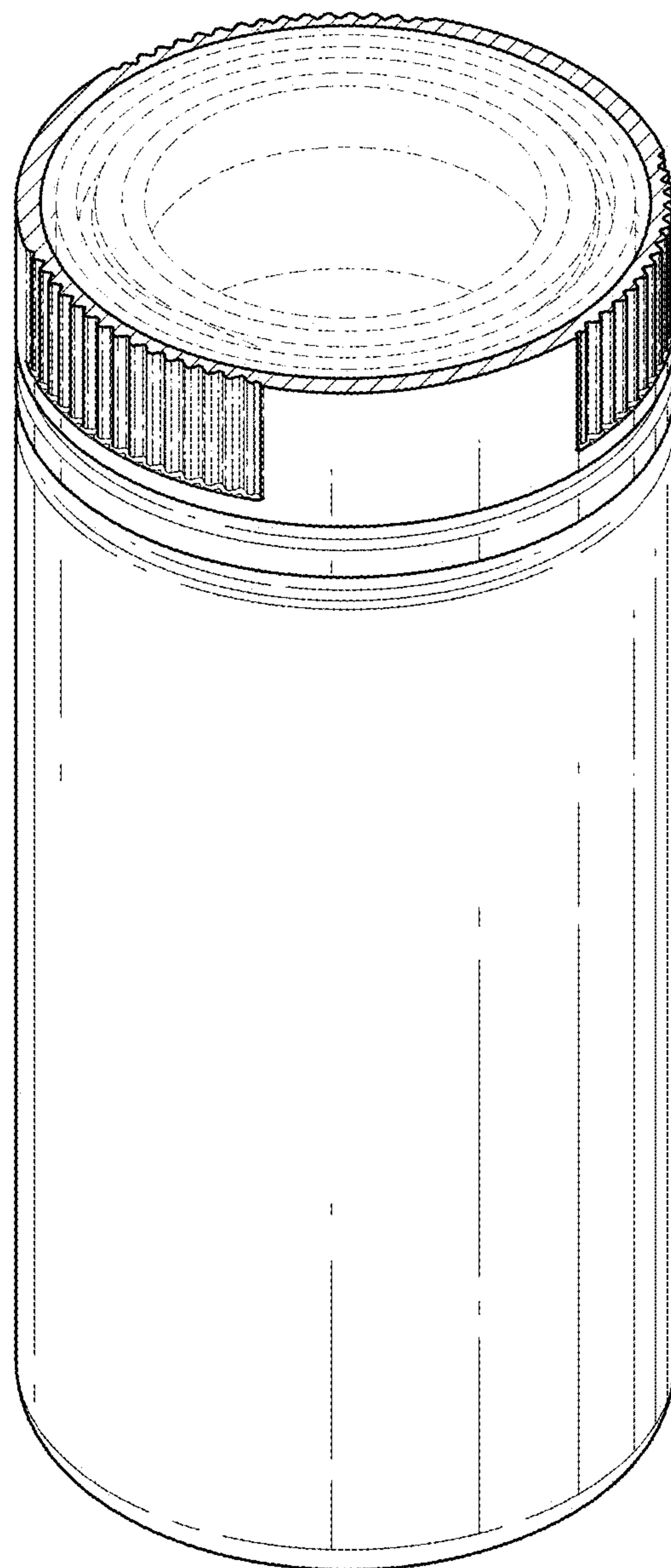


FIG. 29



*FIG. 30*



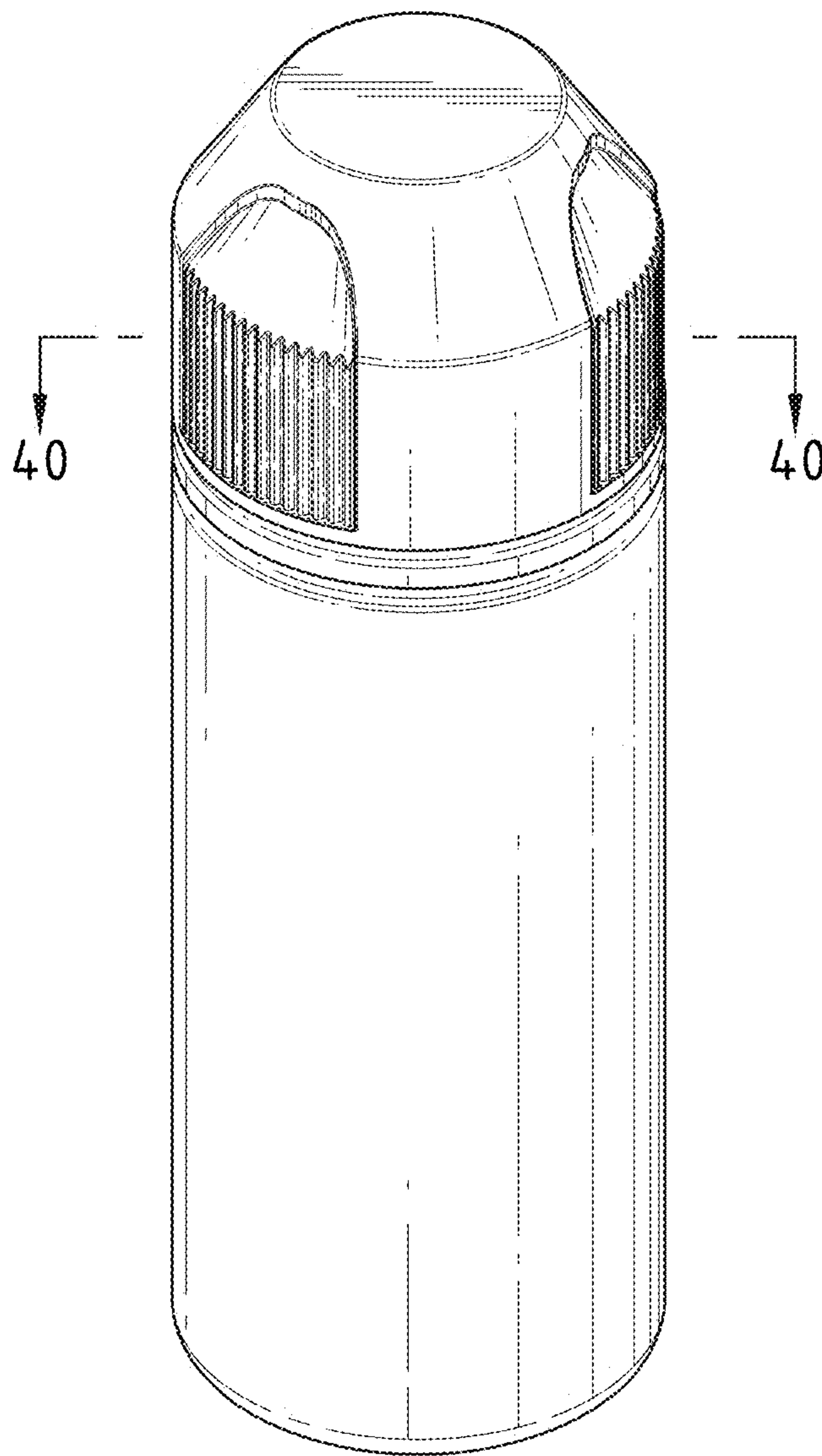


FIG. 31

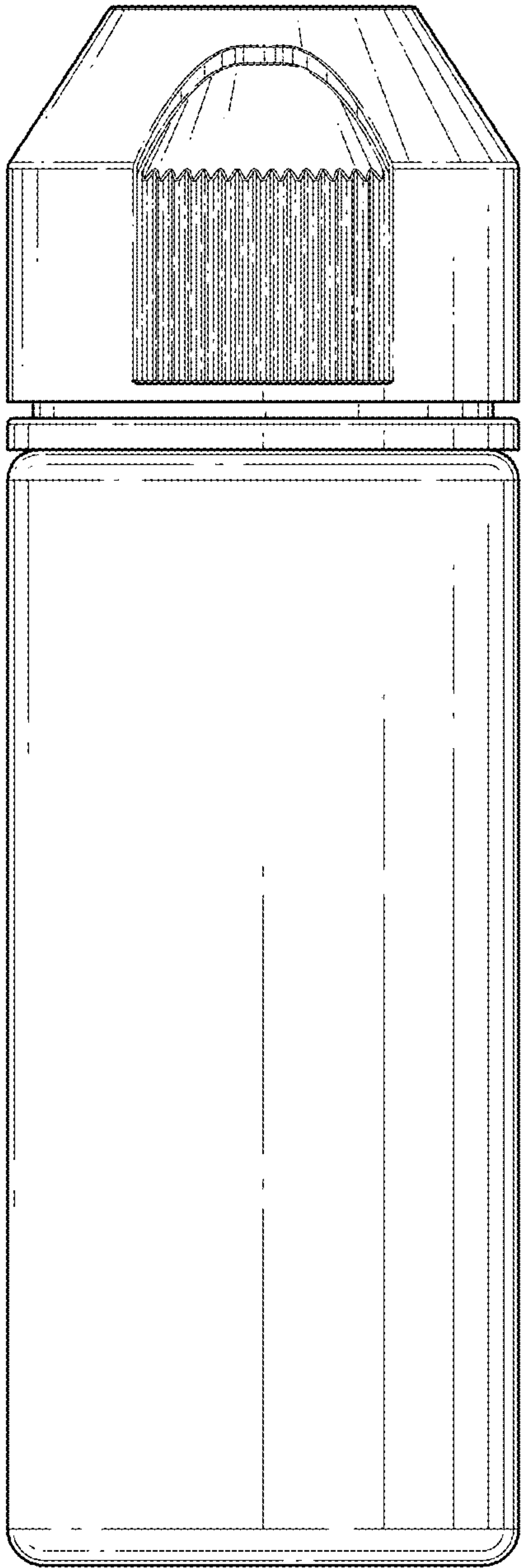


FIG. 32

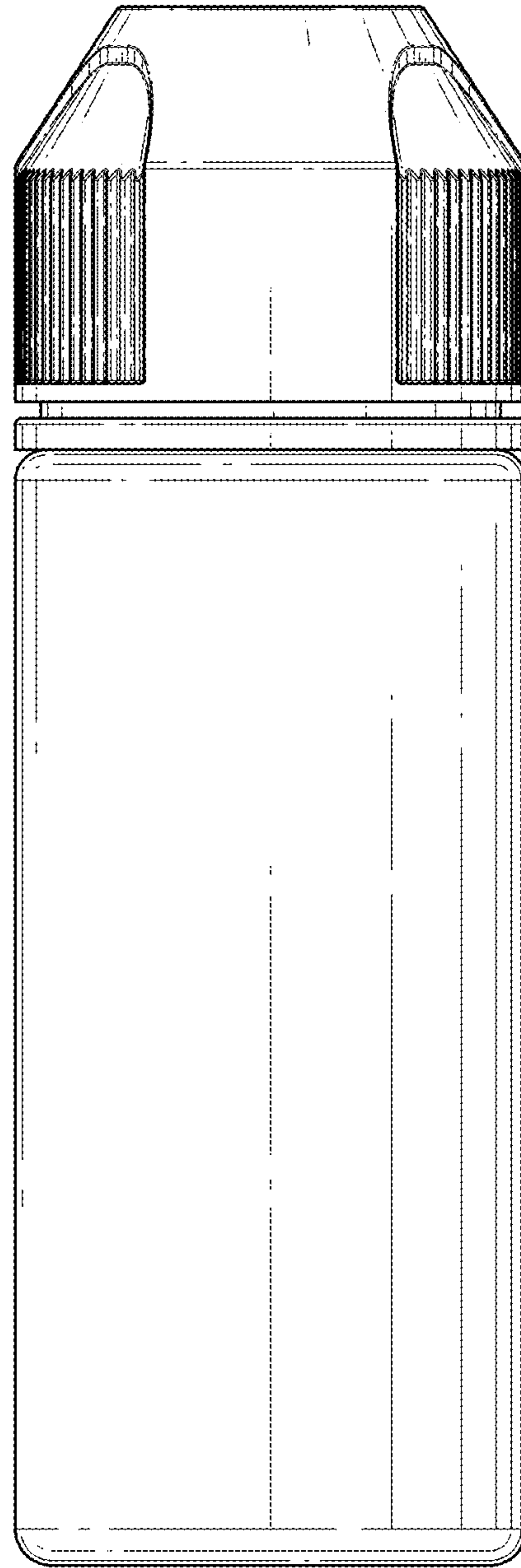
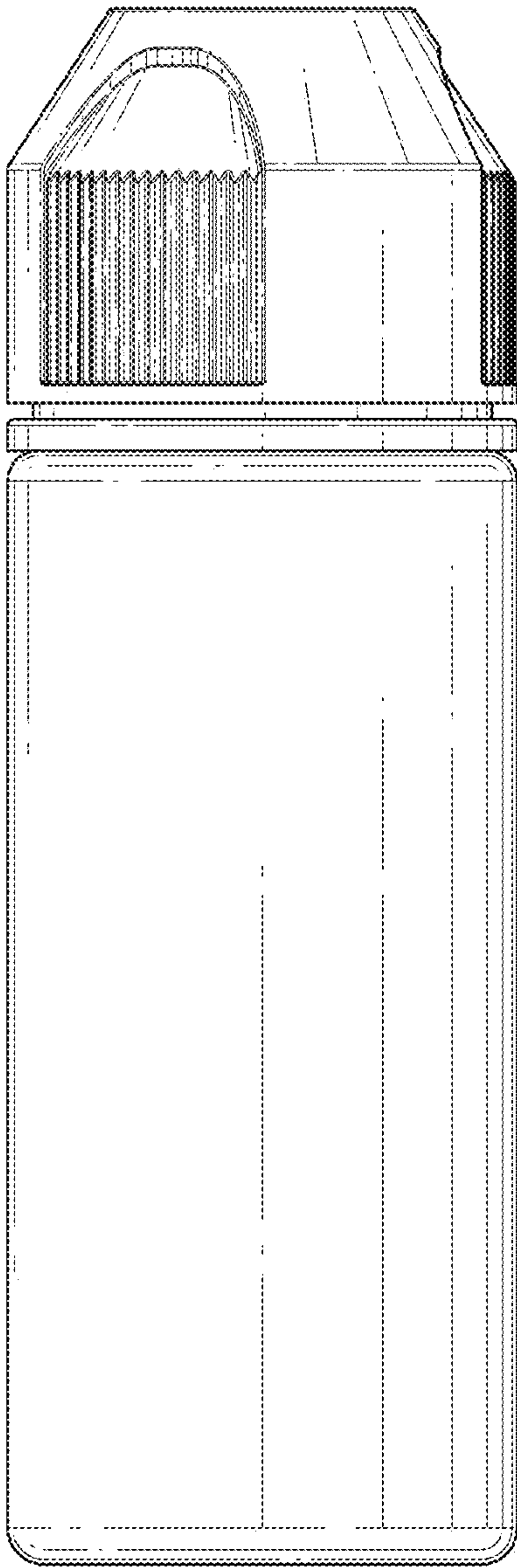
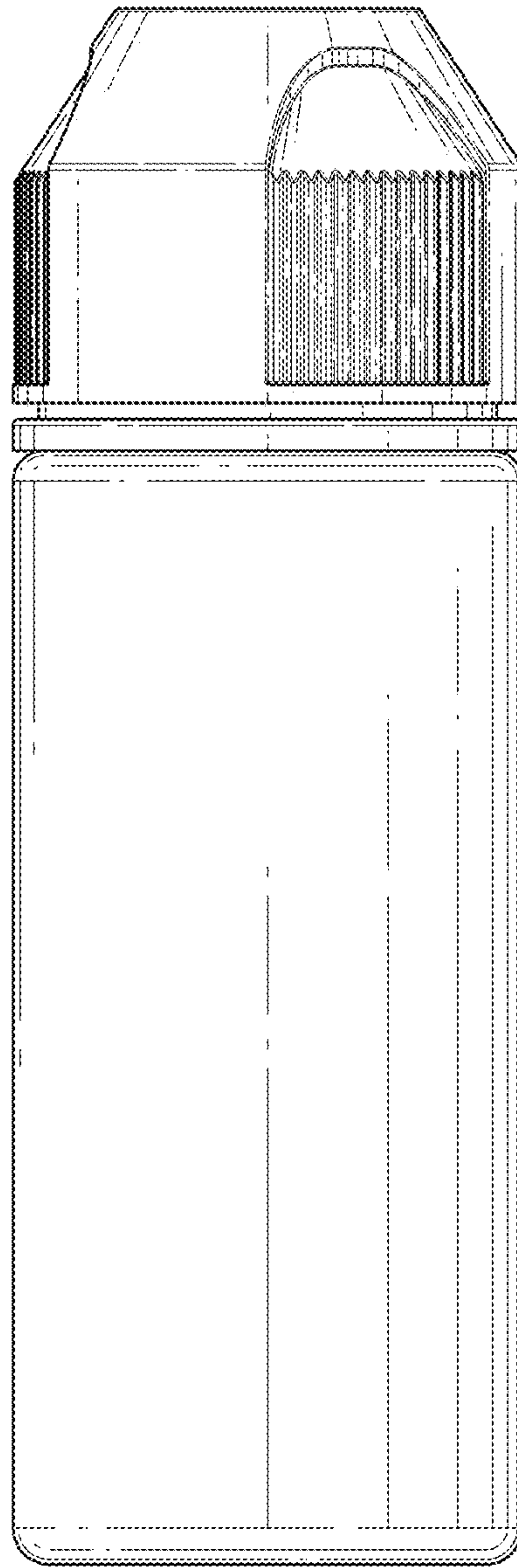


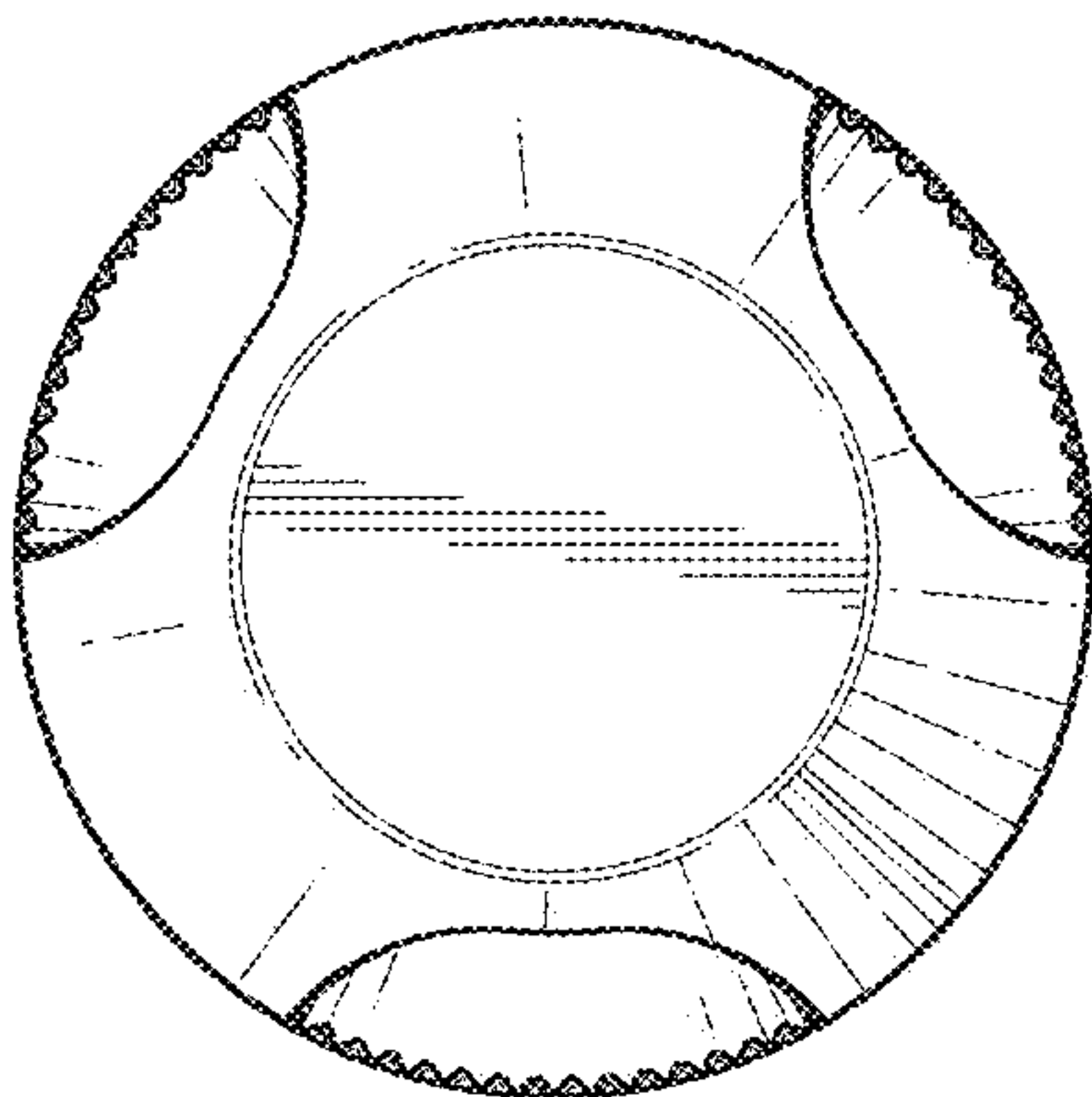
FIG. 33



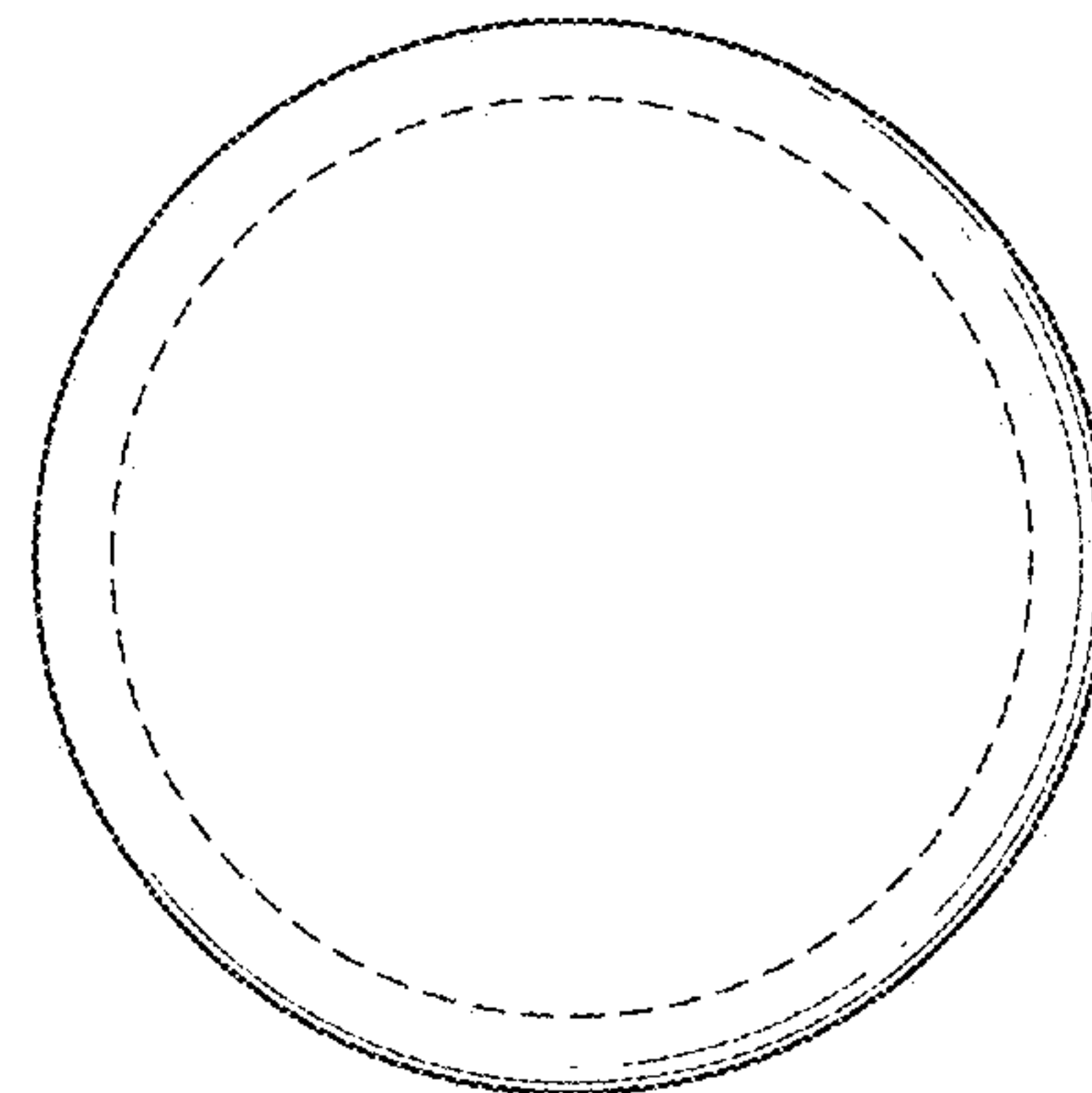
*FIG. 34*



*FIG. 35*



*FIG. 36*



*FIG. 37*

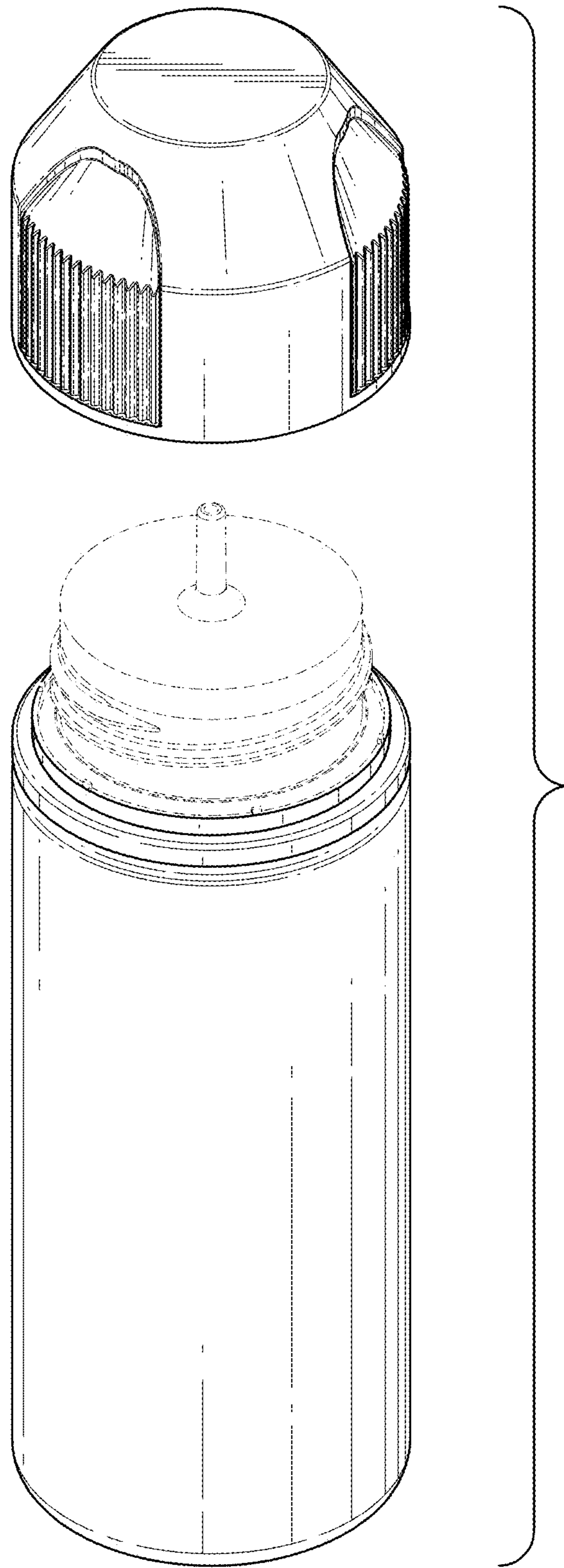


FIG. 38



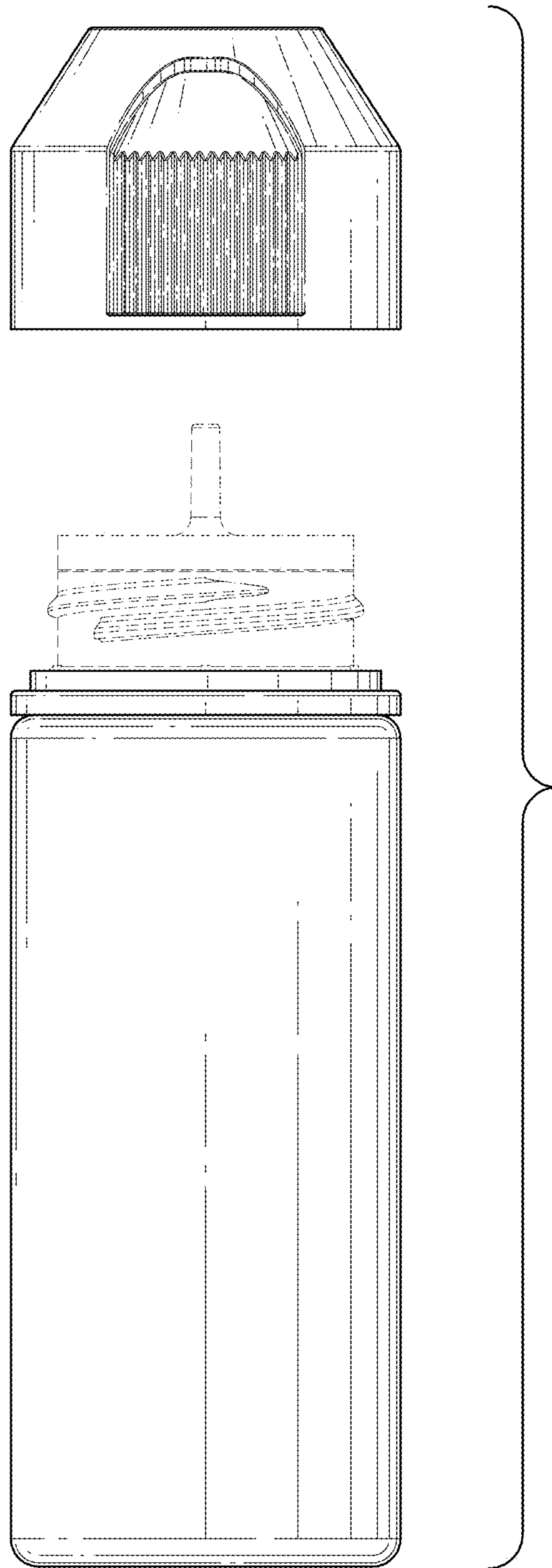


FIG. 39

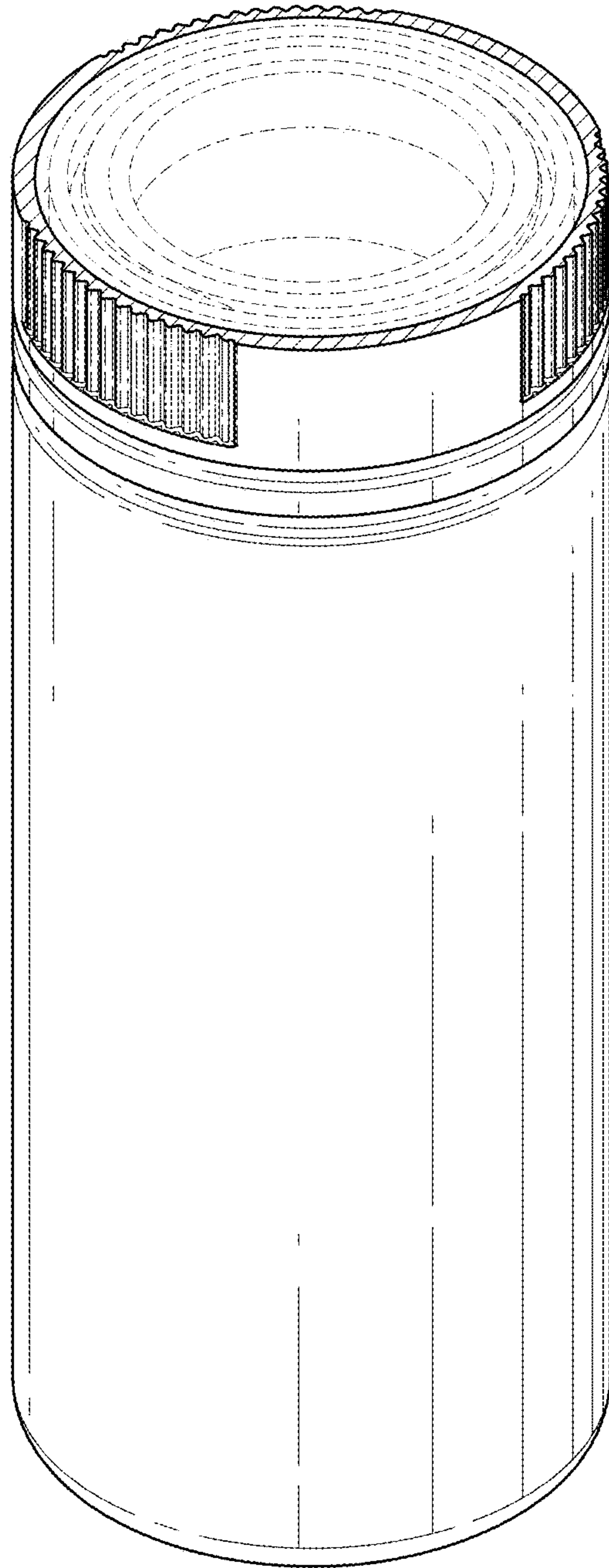


FIG. 40

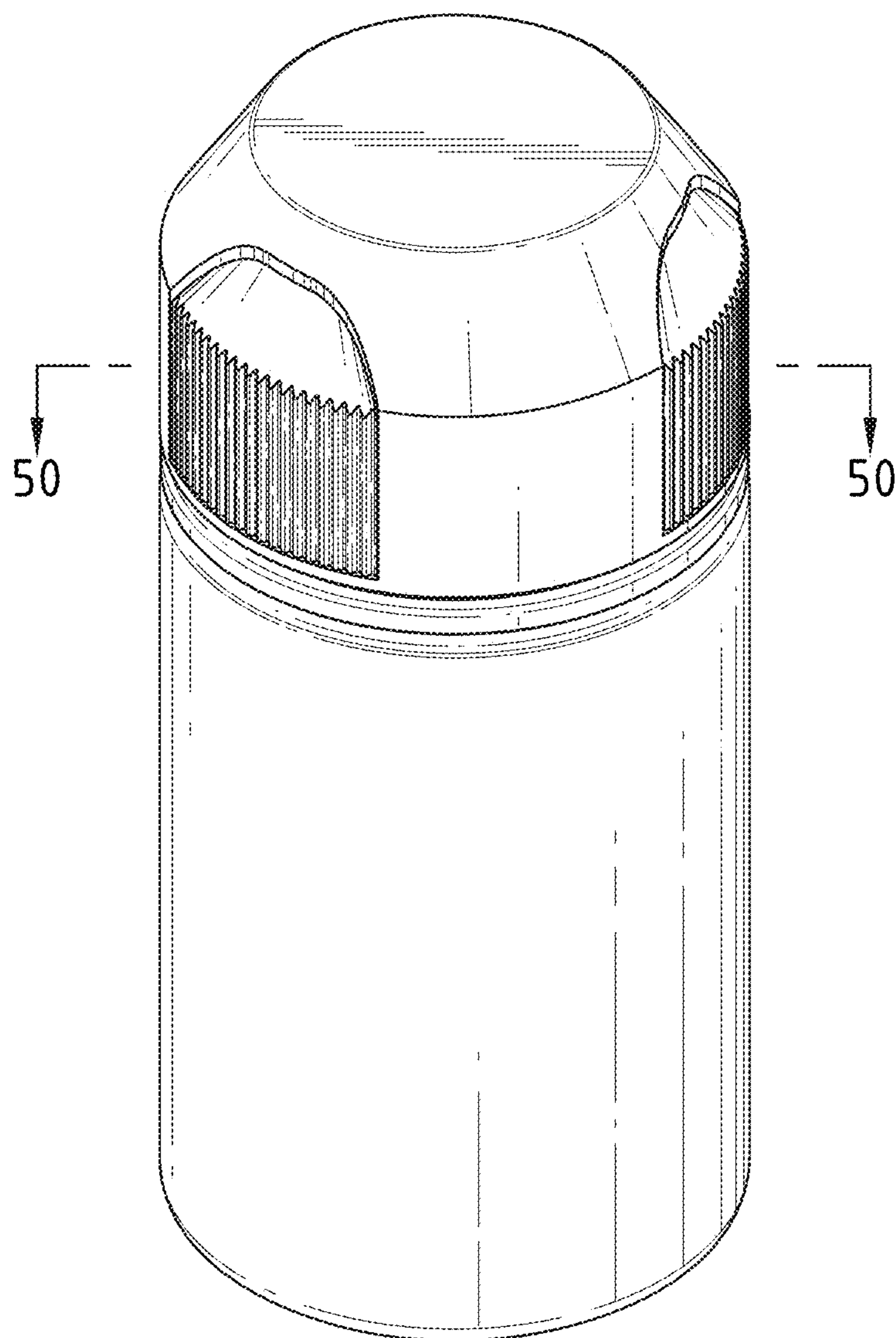


FIG. 41

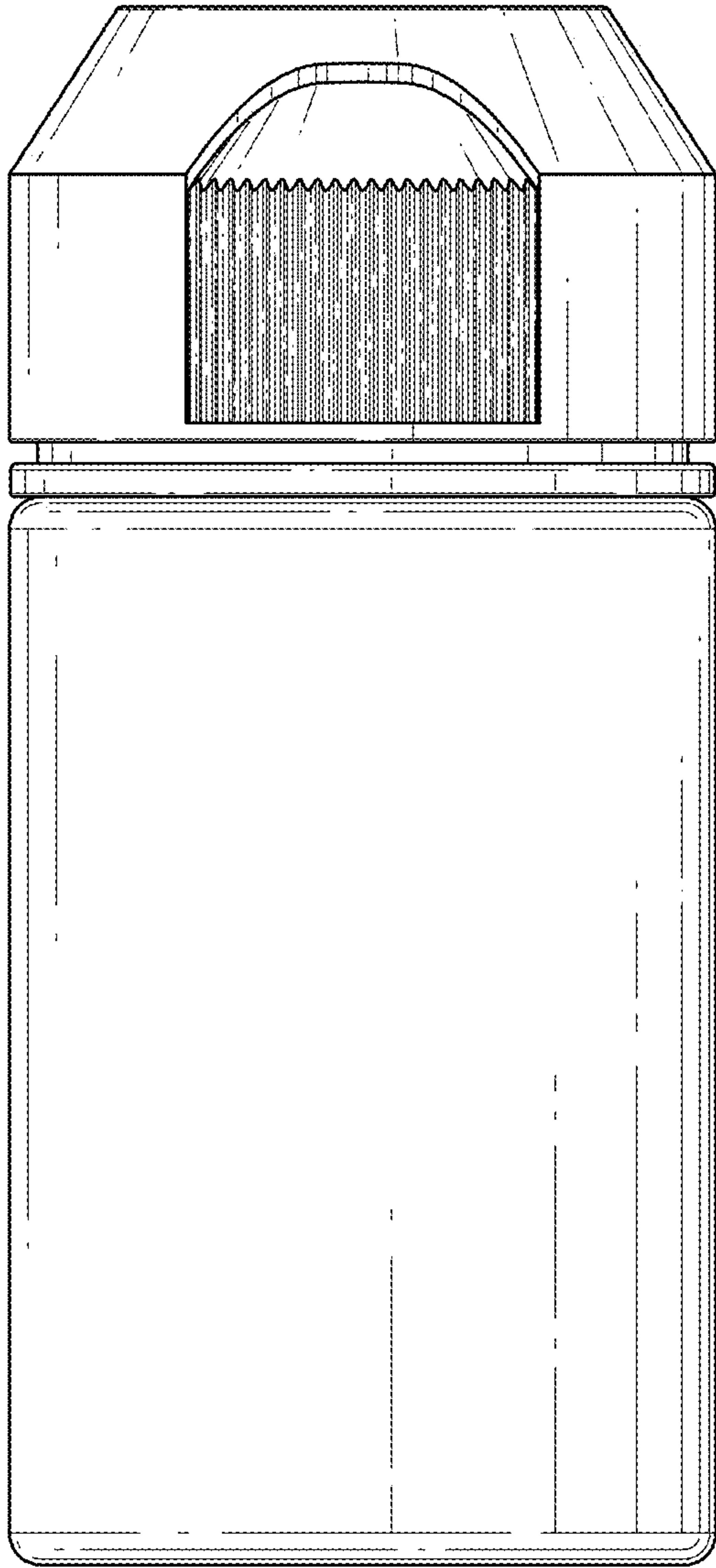


FIG. 42

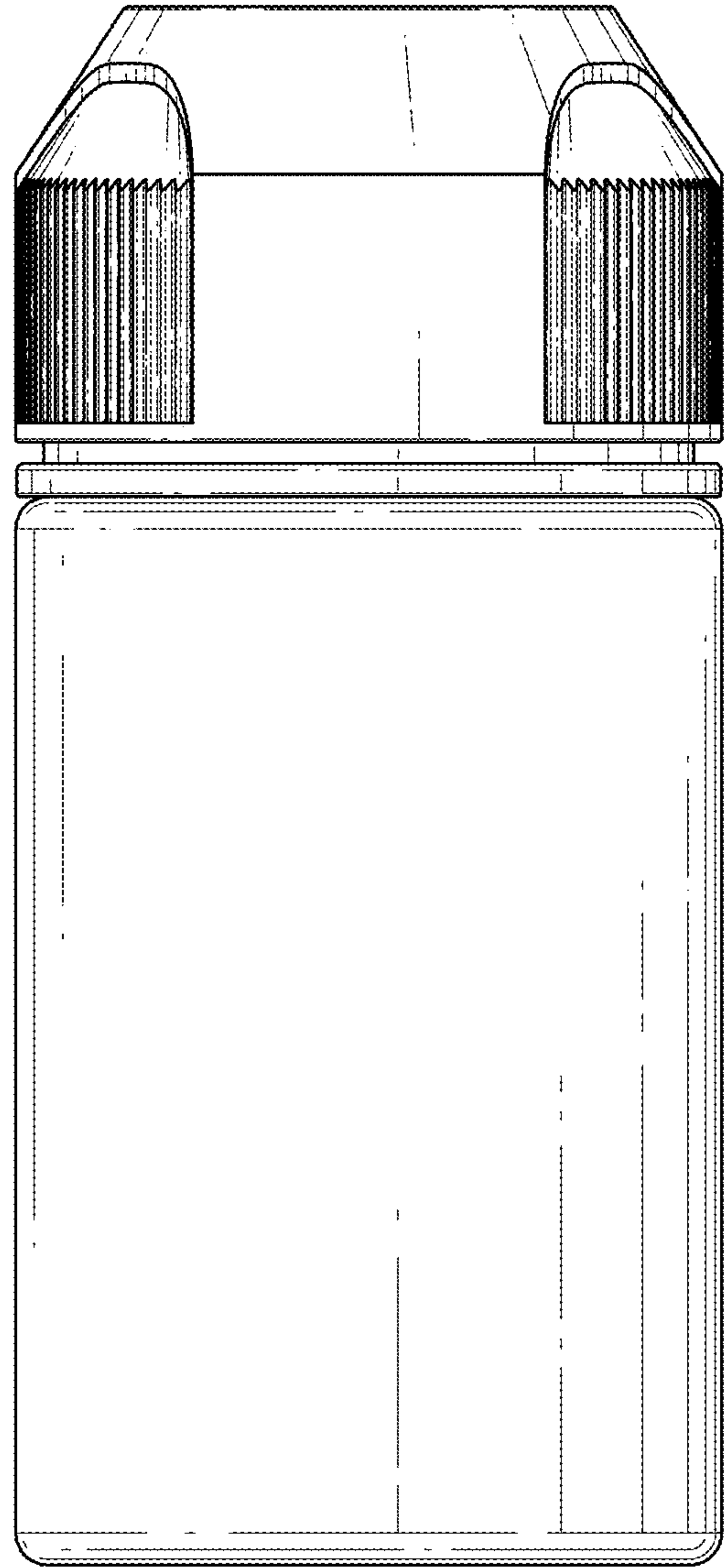


FIG. 43



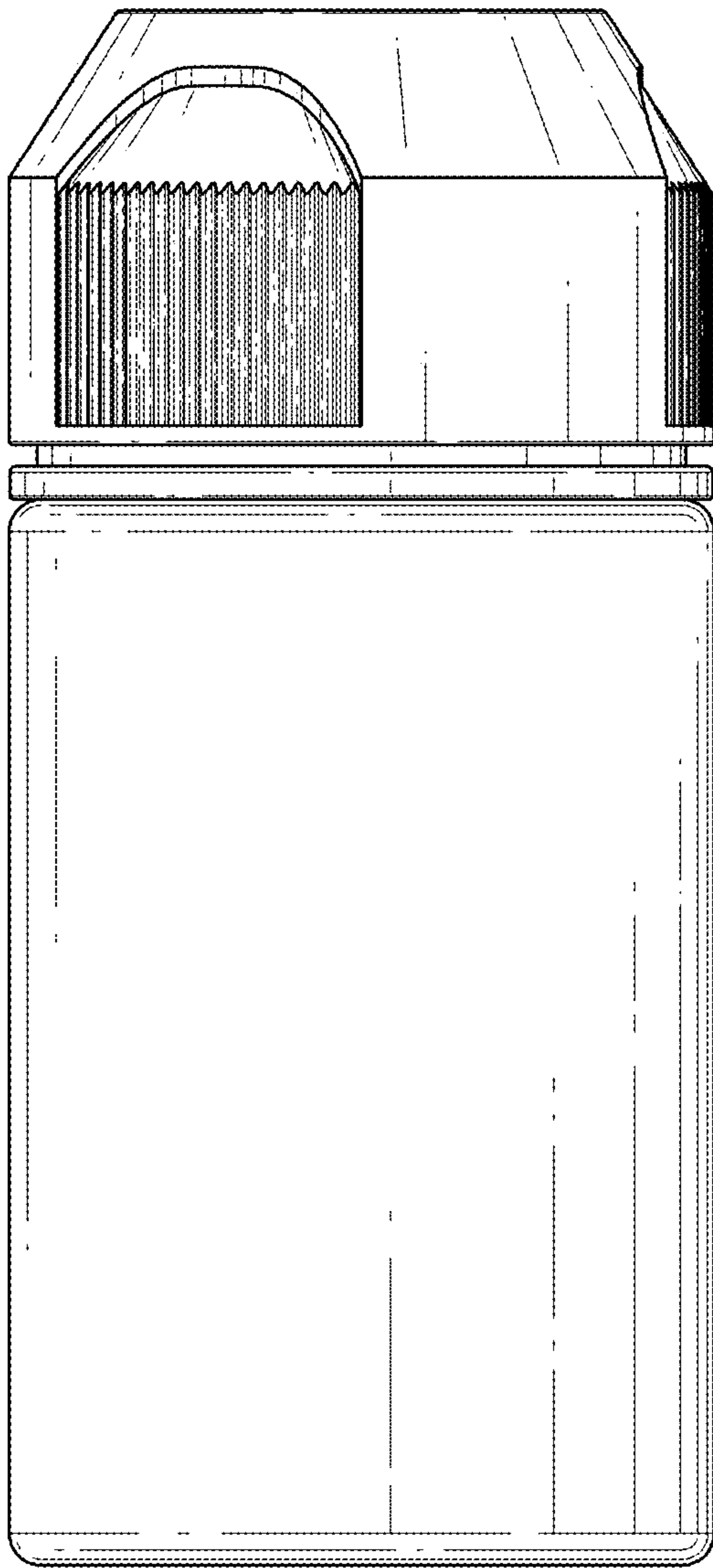


FIG. 44

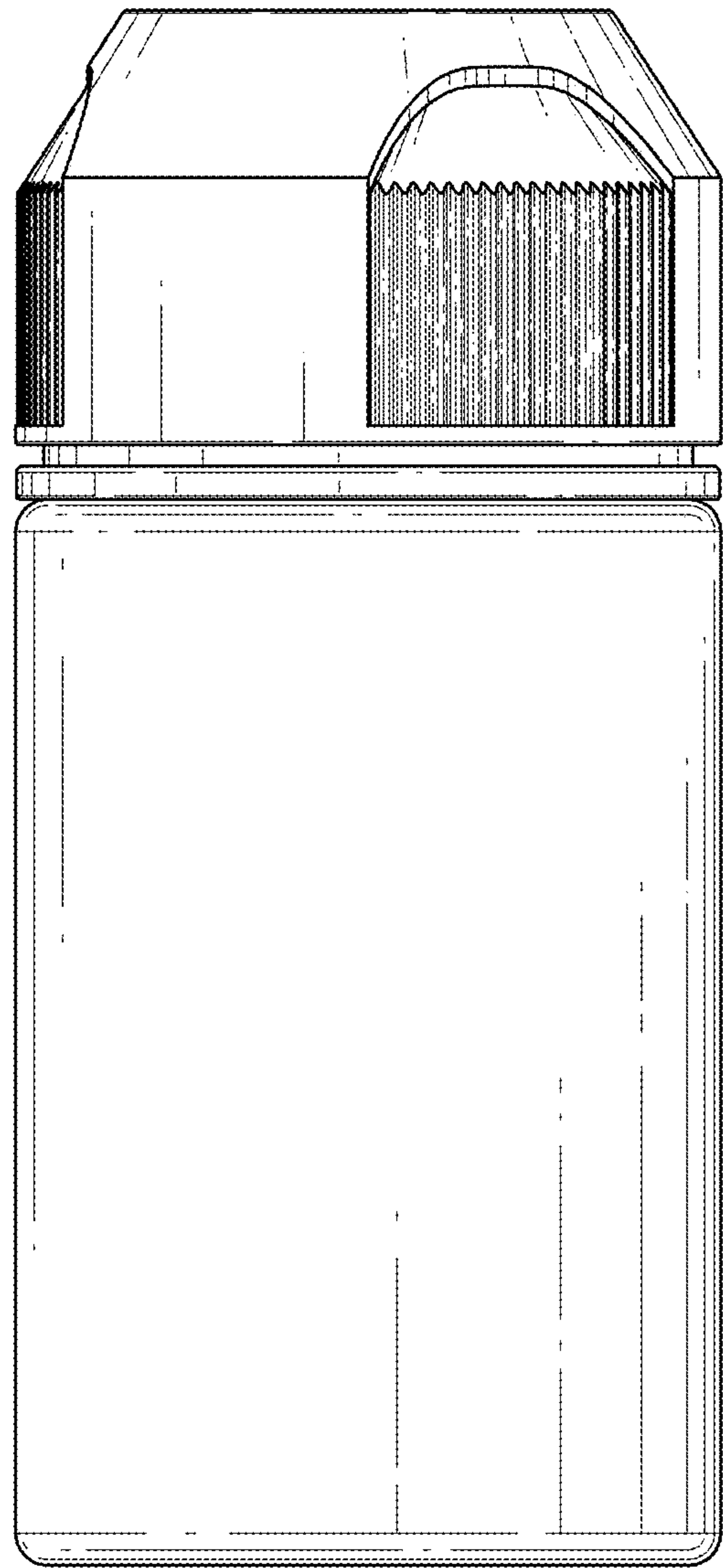
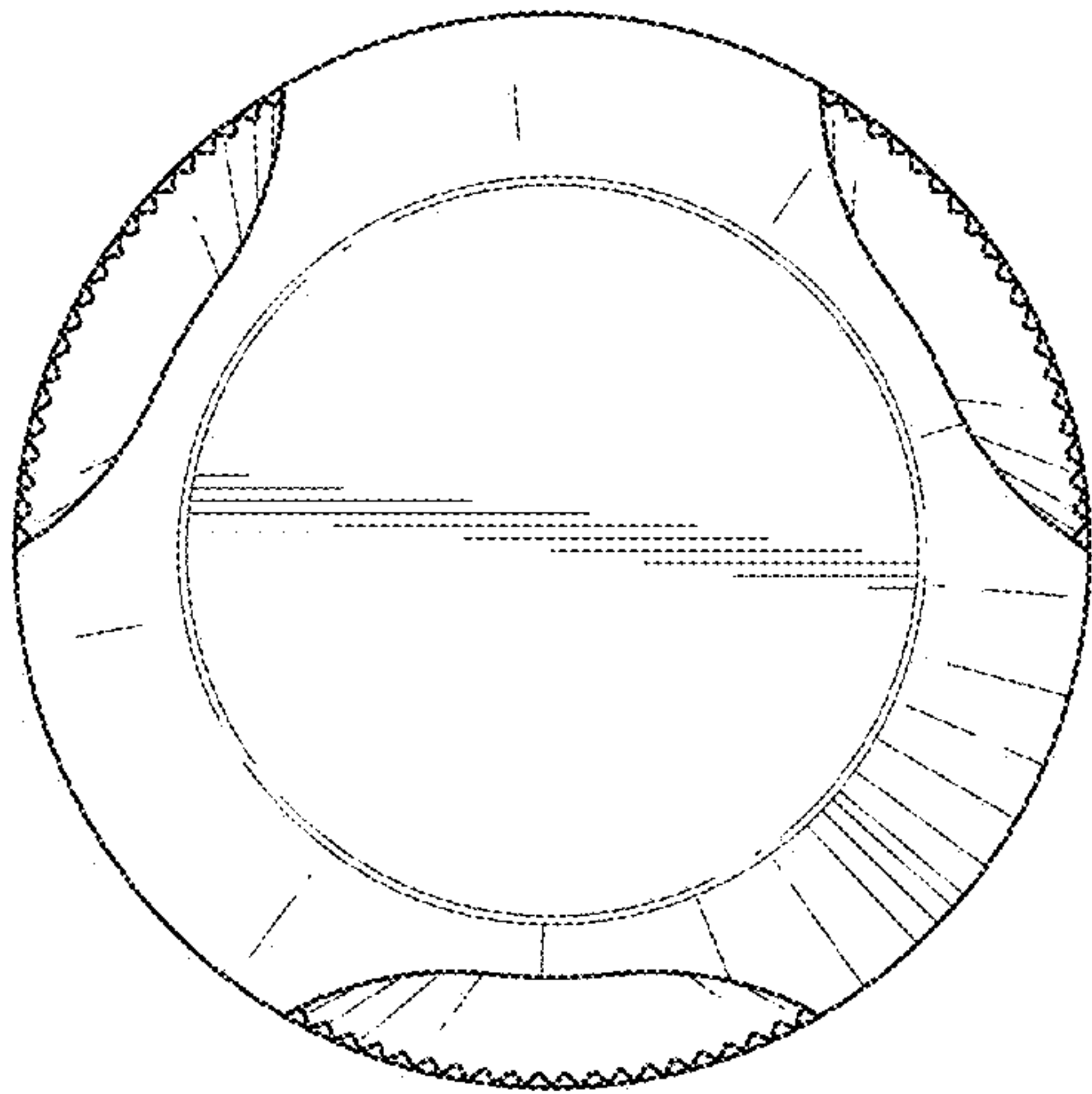
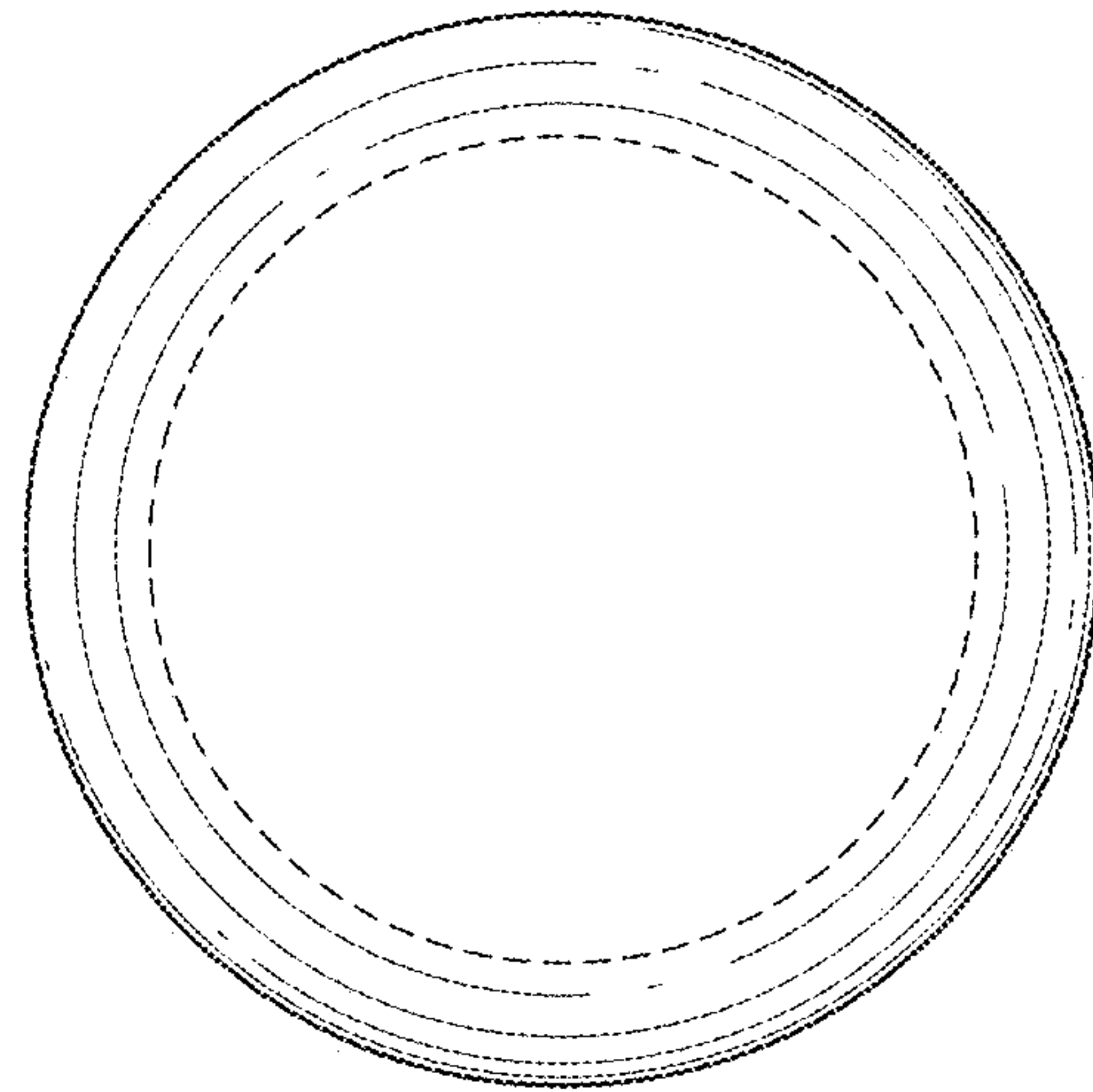


FIG. 45



*FIG. 46*



*FIG. 47*

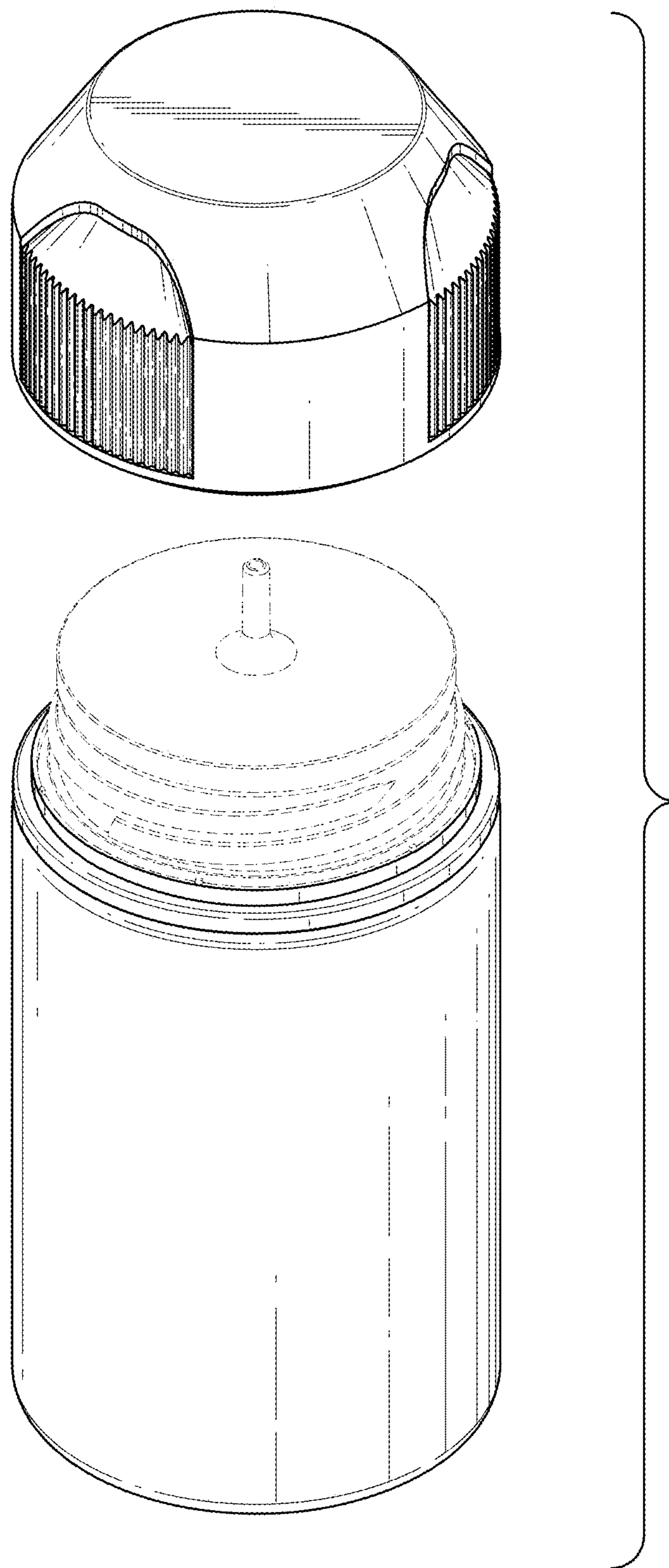


FIG. 48

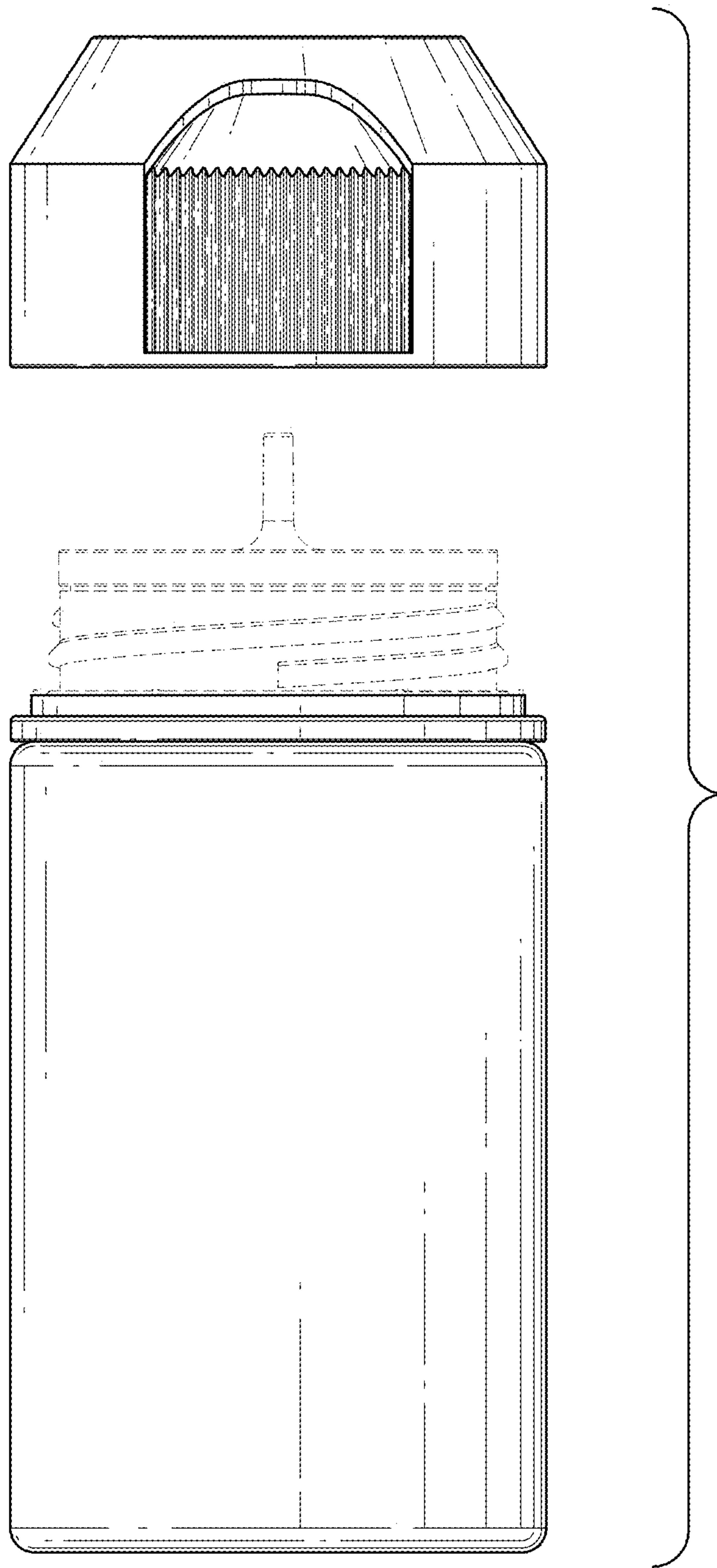
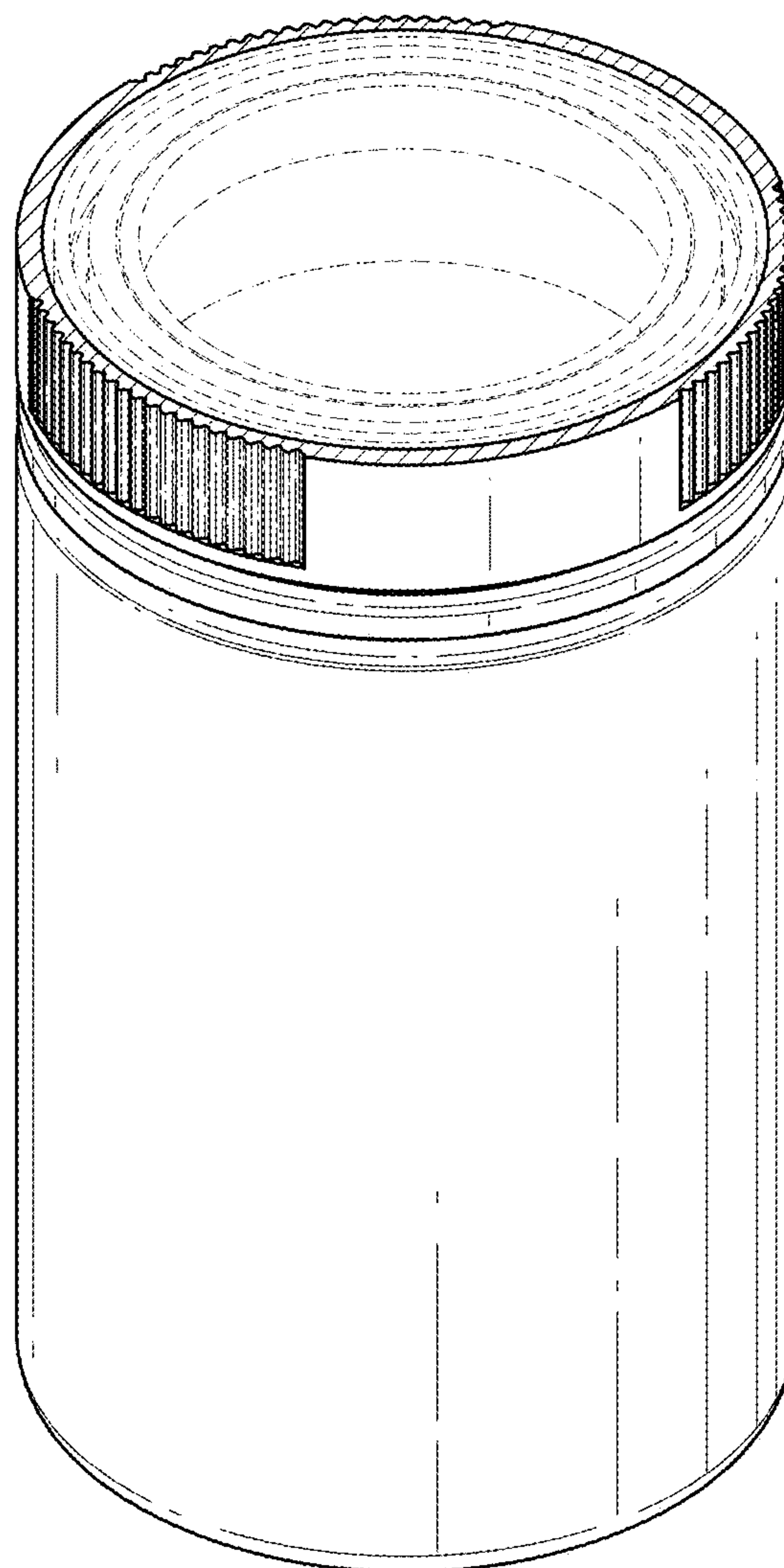
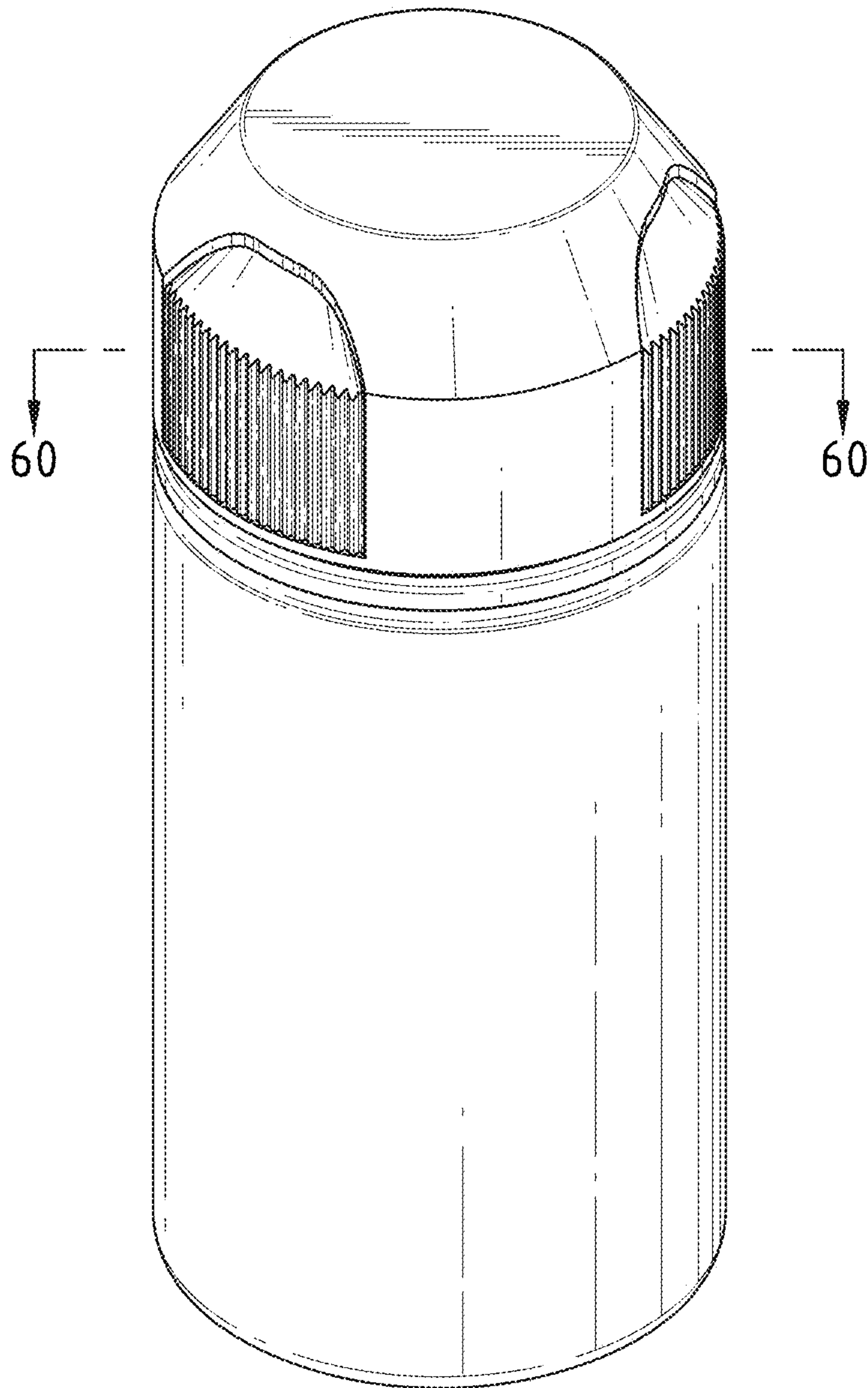


FIG. 49

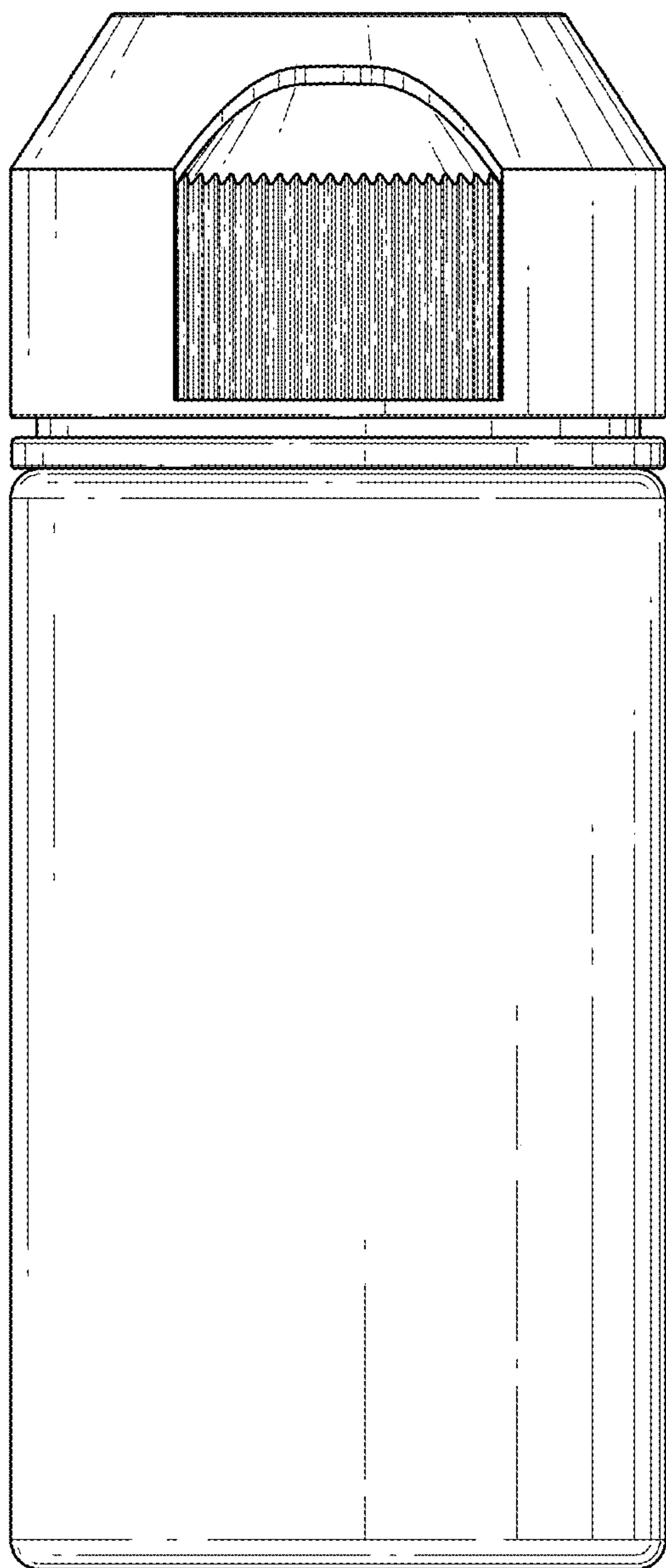




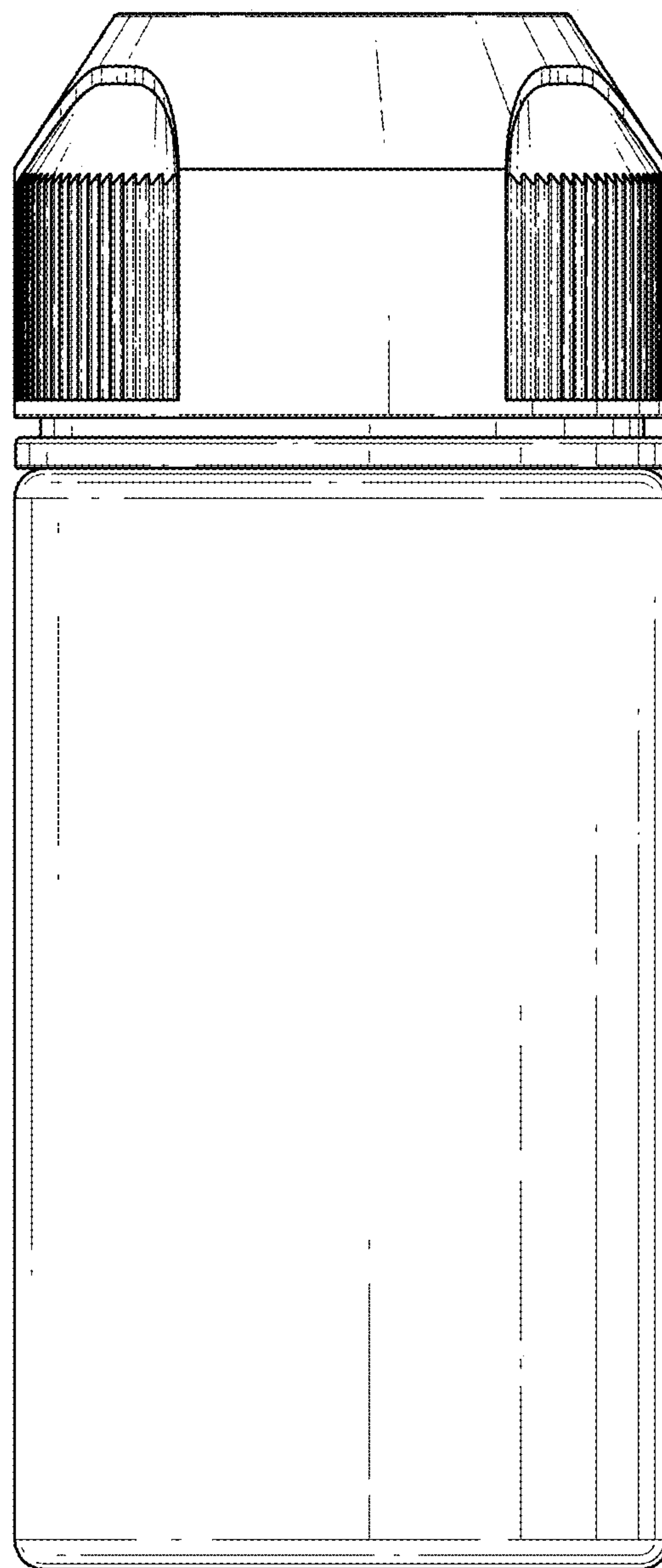
*FIG. 50*



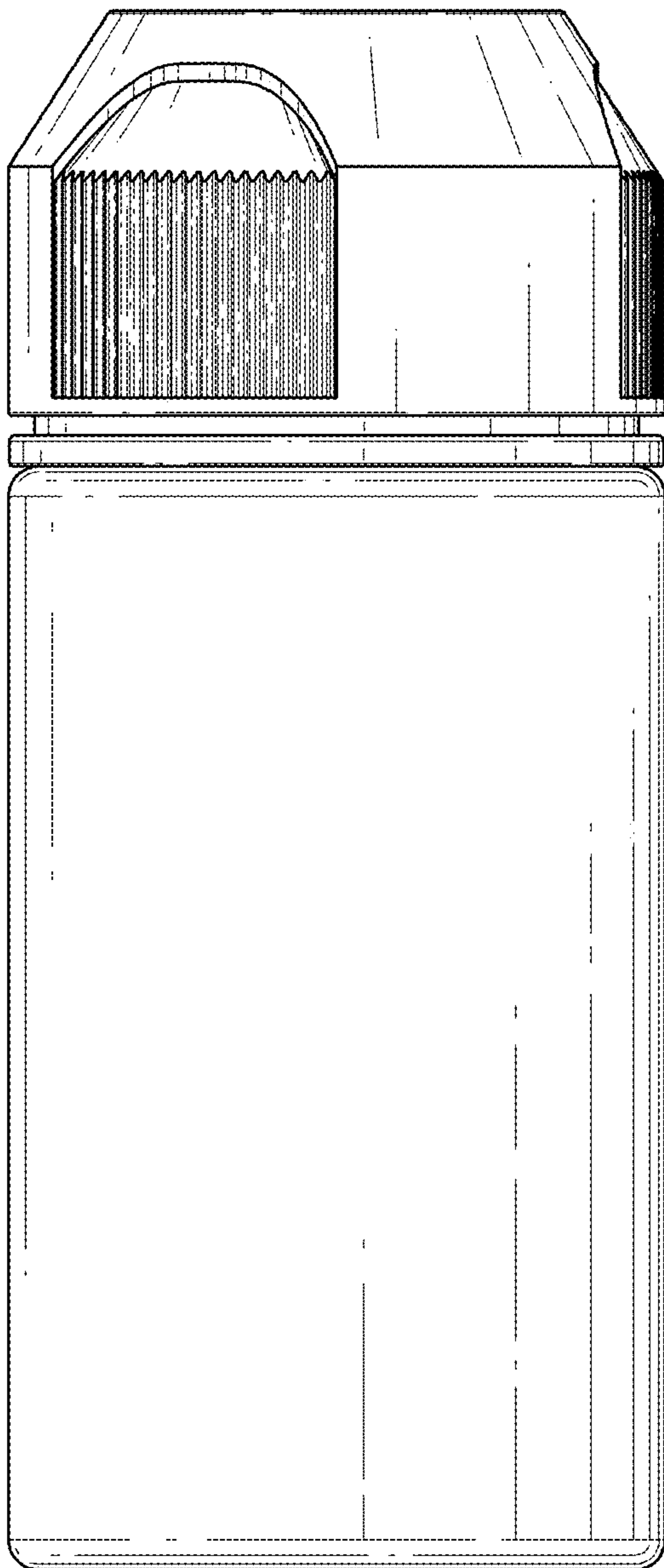
*FIG. 51*



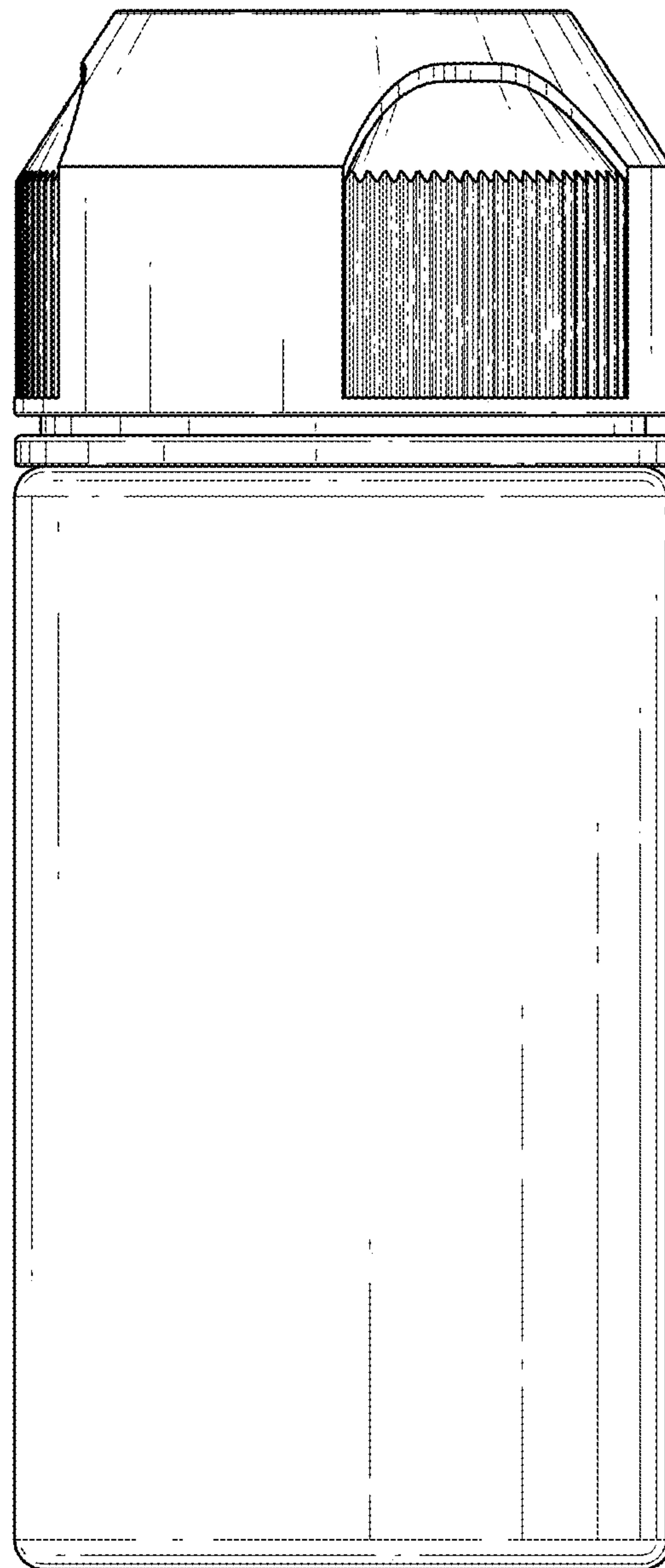
*FIG. 52*



*FIG. 53*

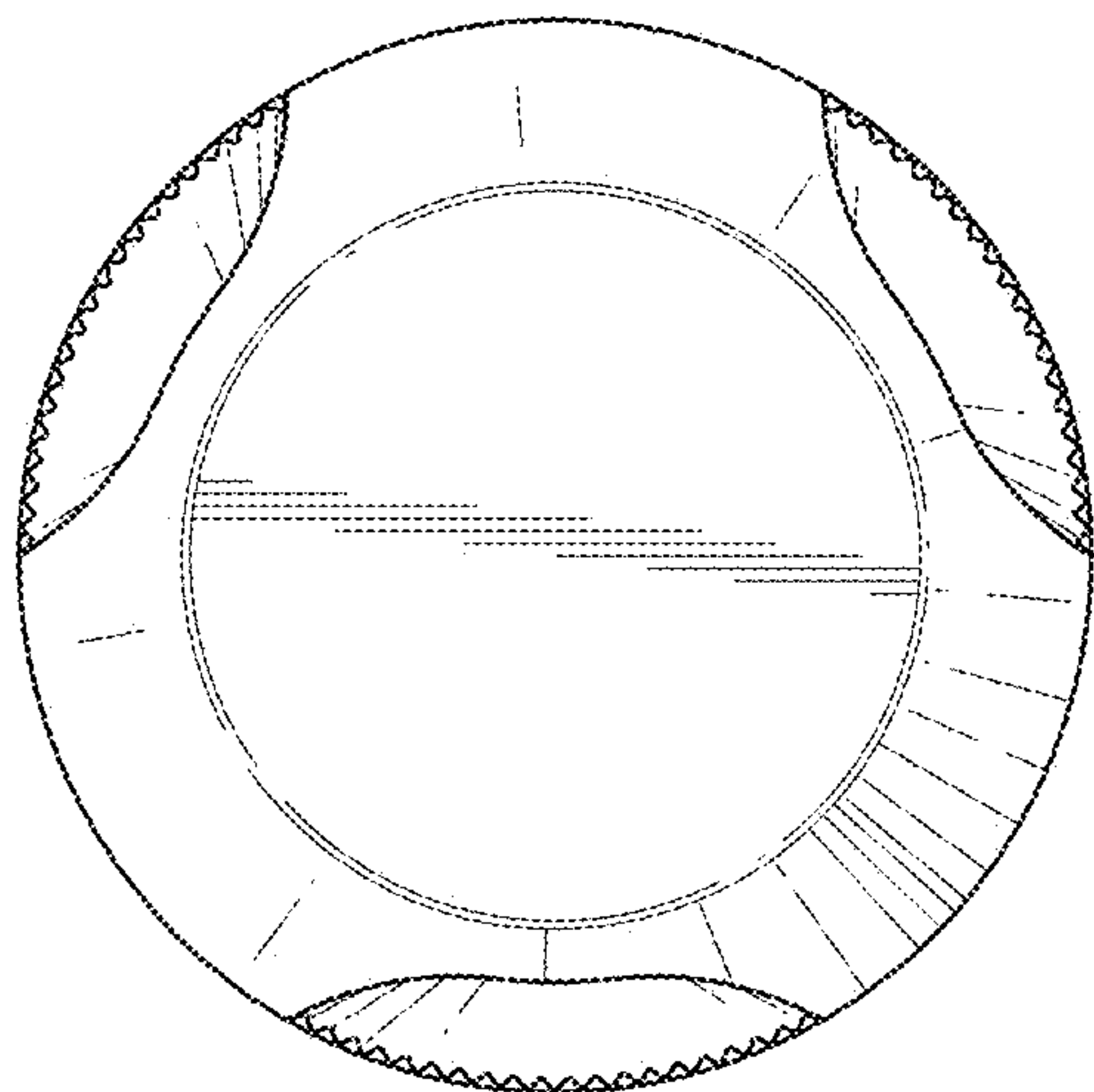


*FIG. 54*

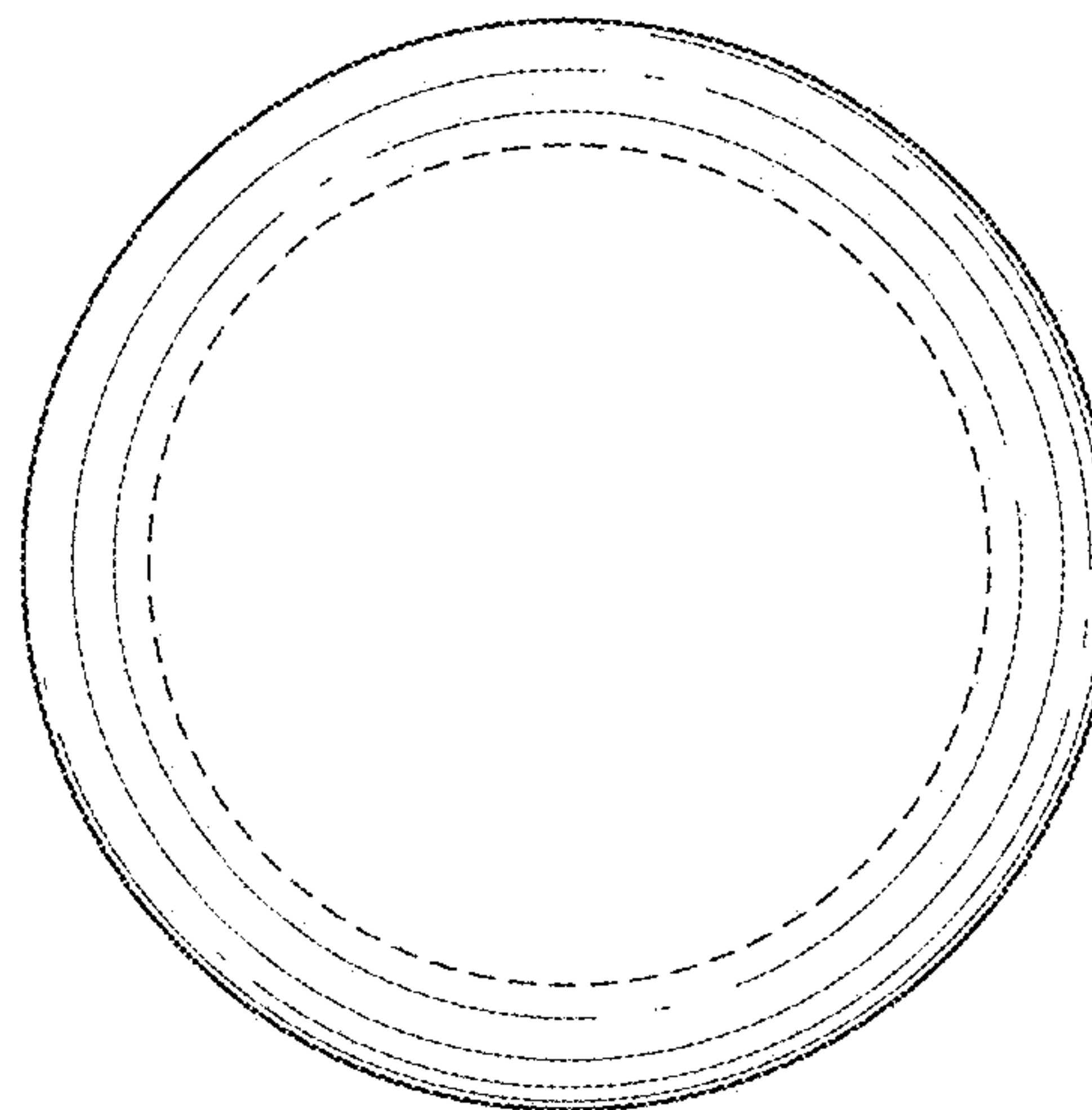


*FIG. 55*





*FIG. 56*



*FIG. 57*

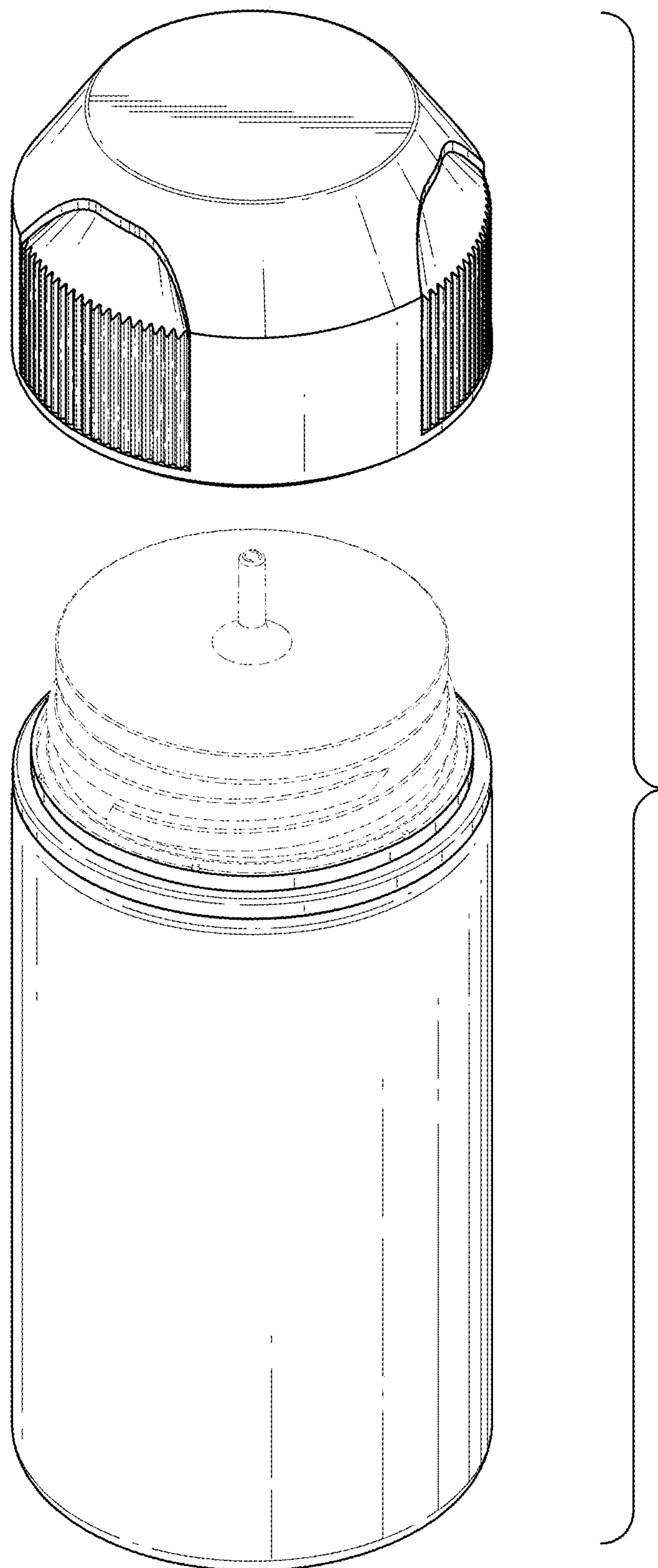


FIG. 58

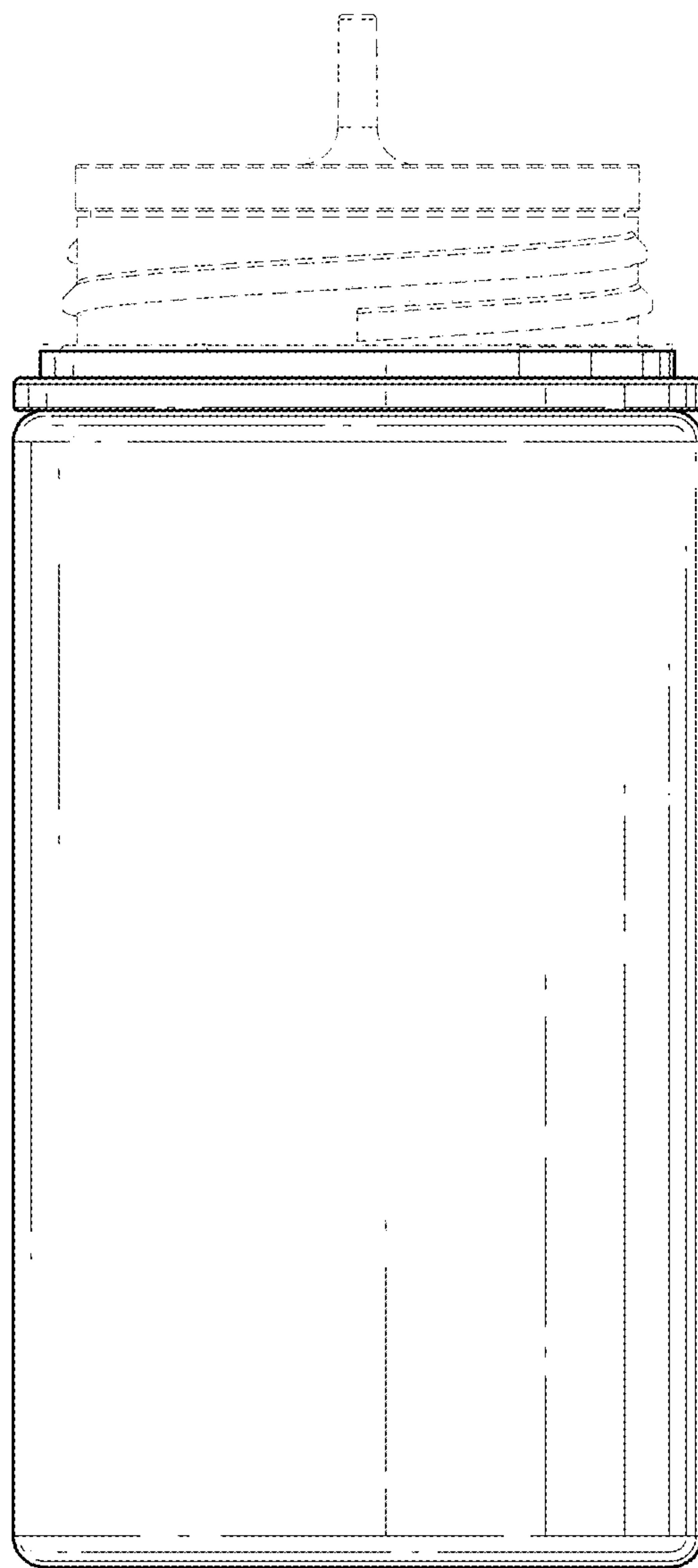
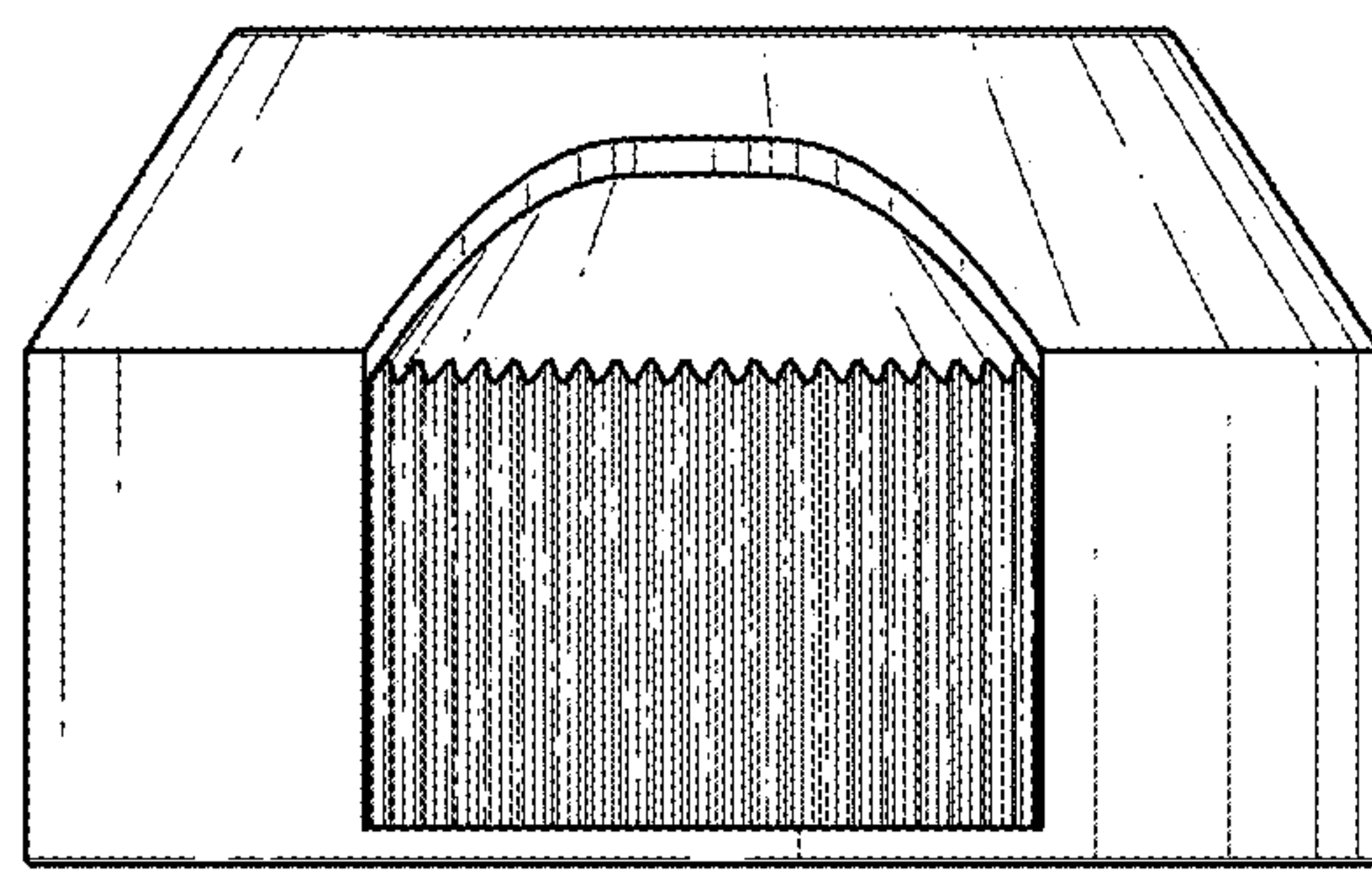
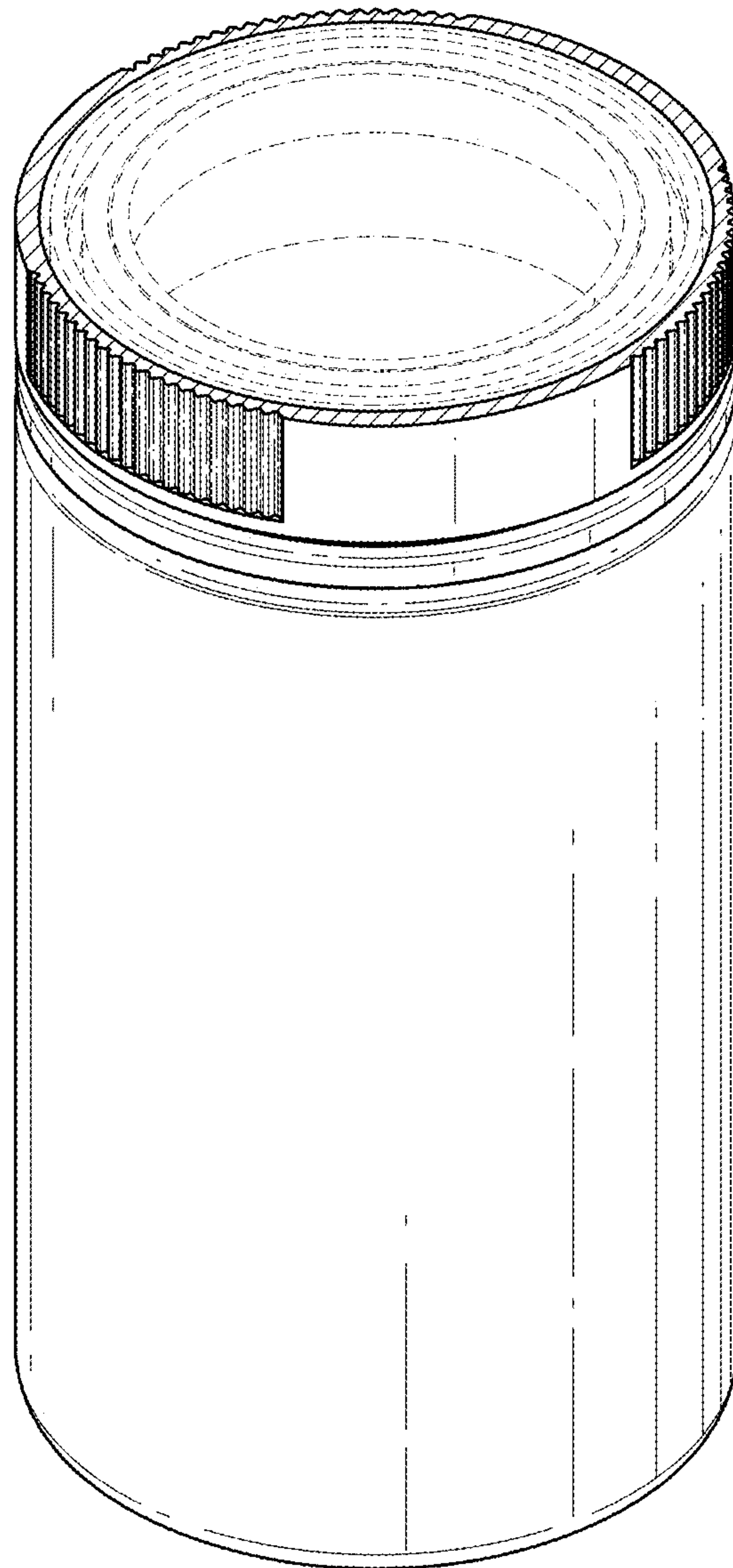


FIG. 59



*FIG. 60*



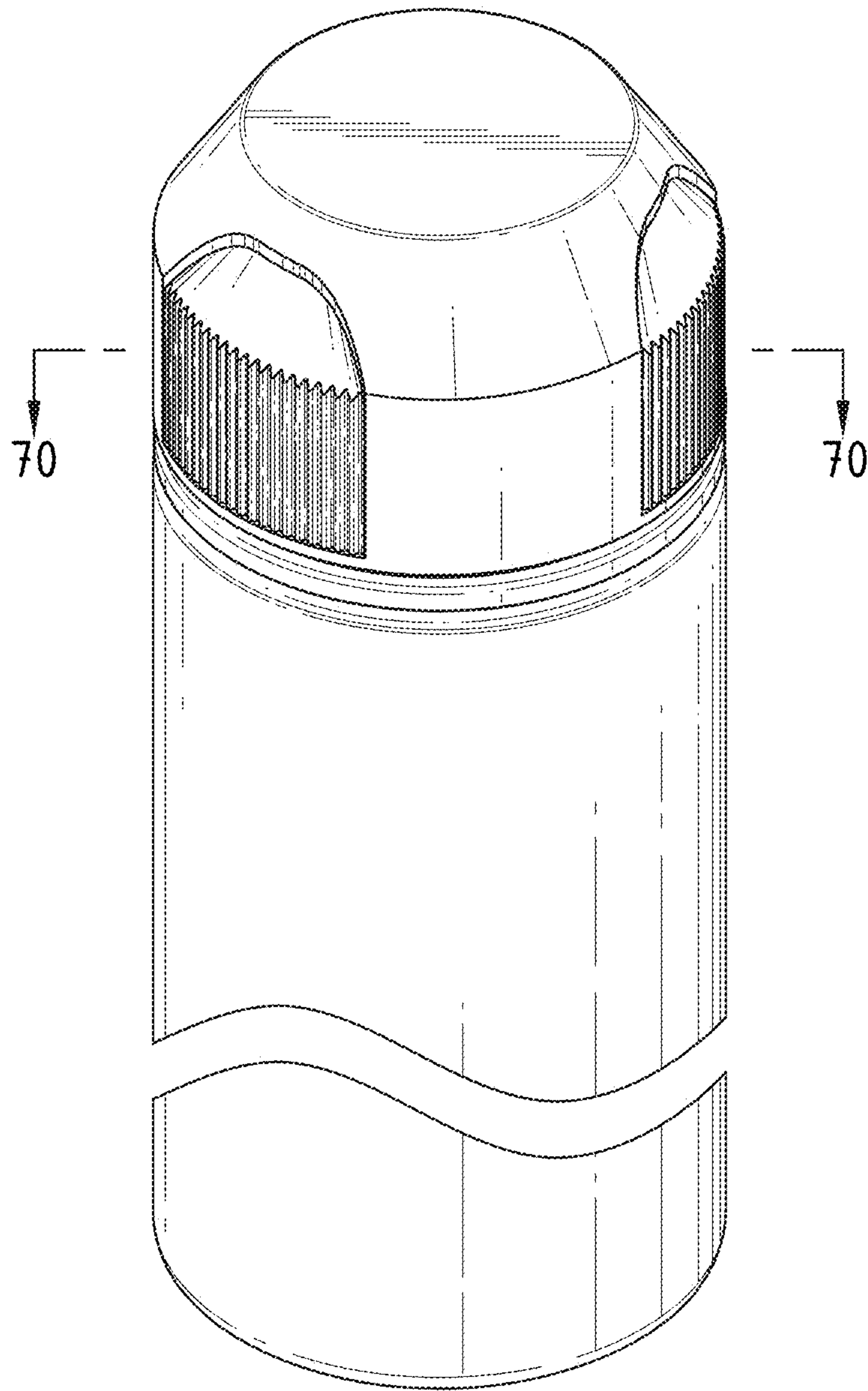


FIG. 61

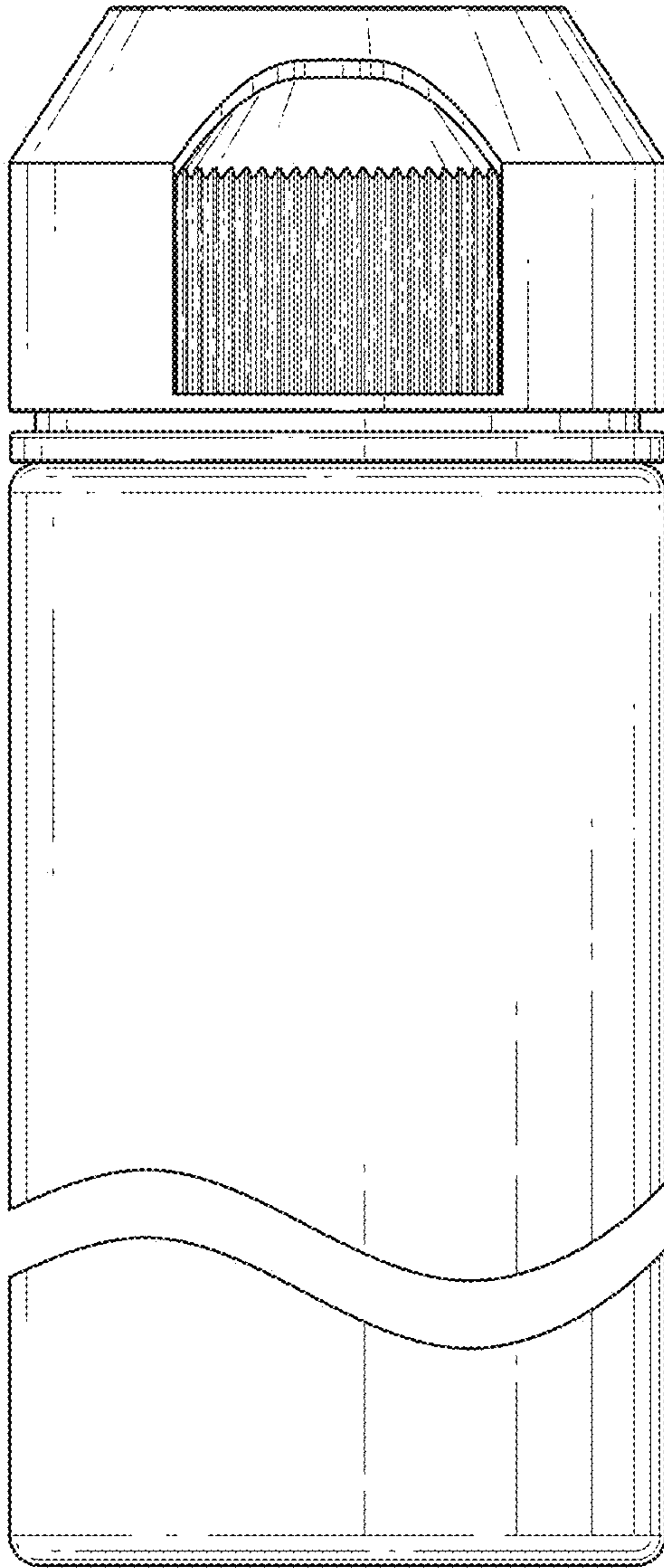


FIG. 62

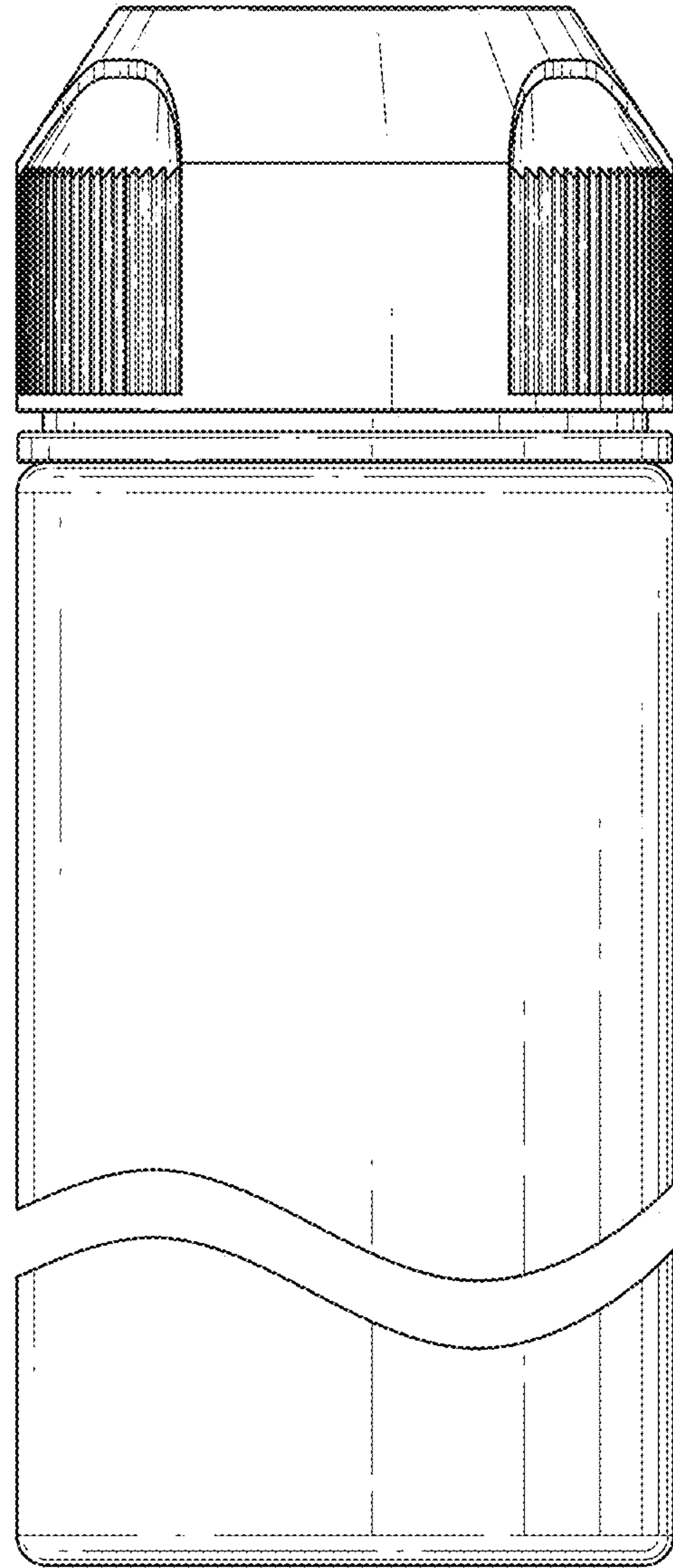


FIG. 63

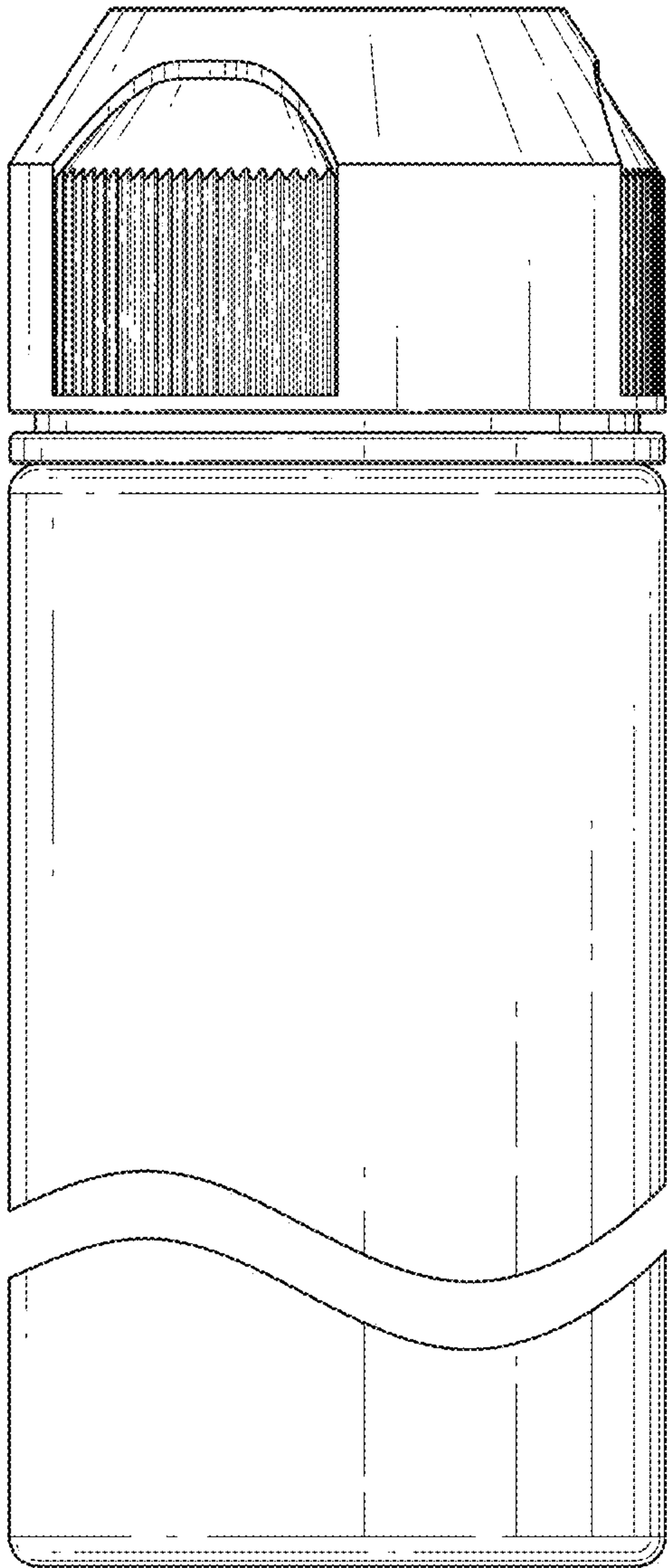


FIG. 64

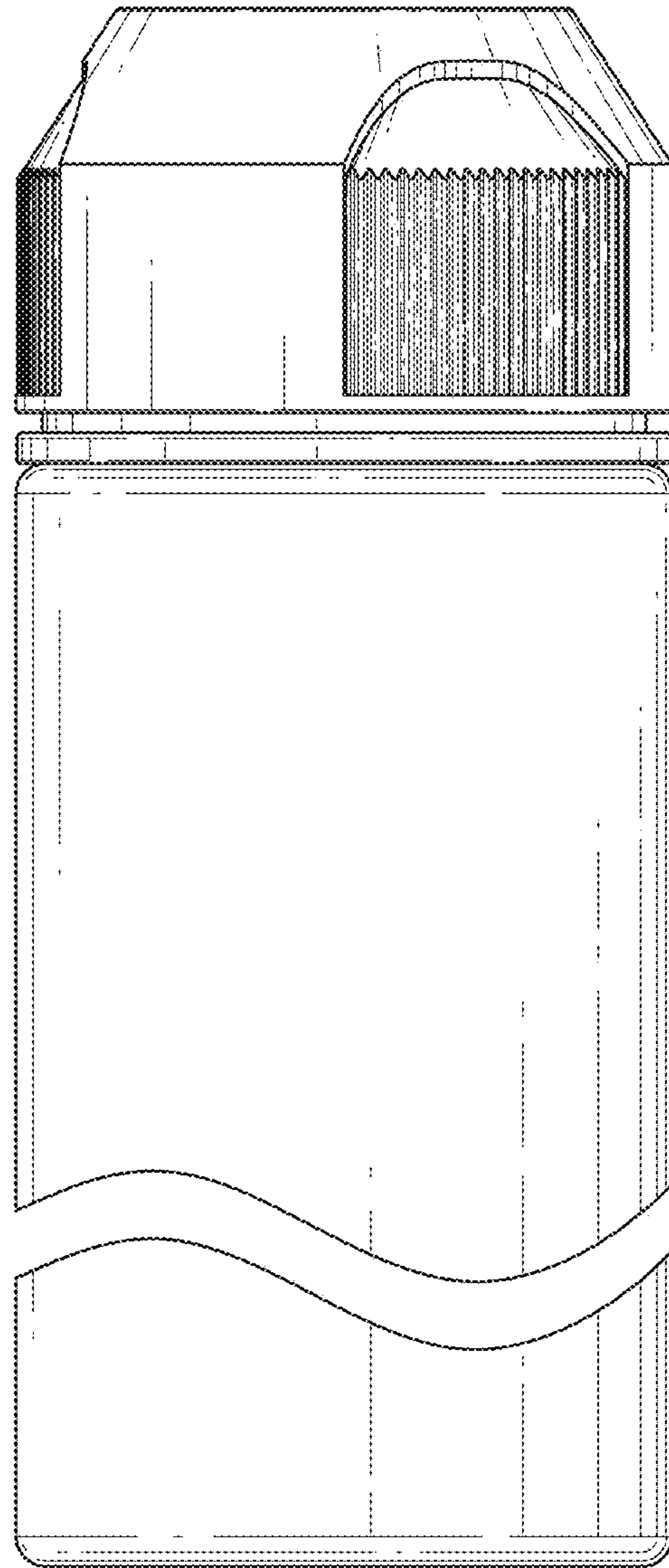
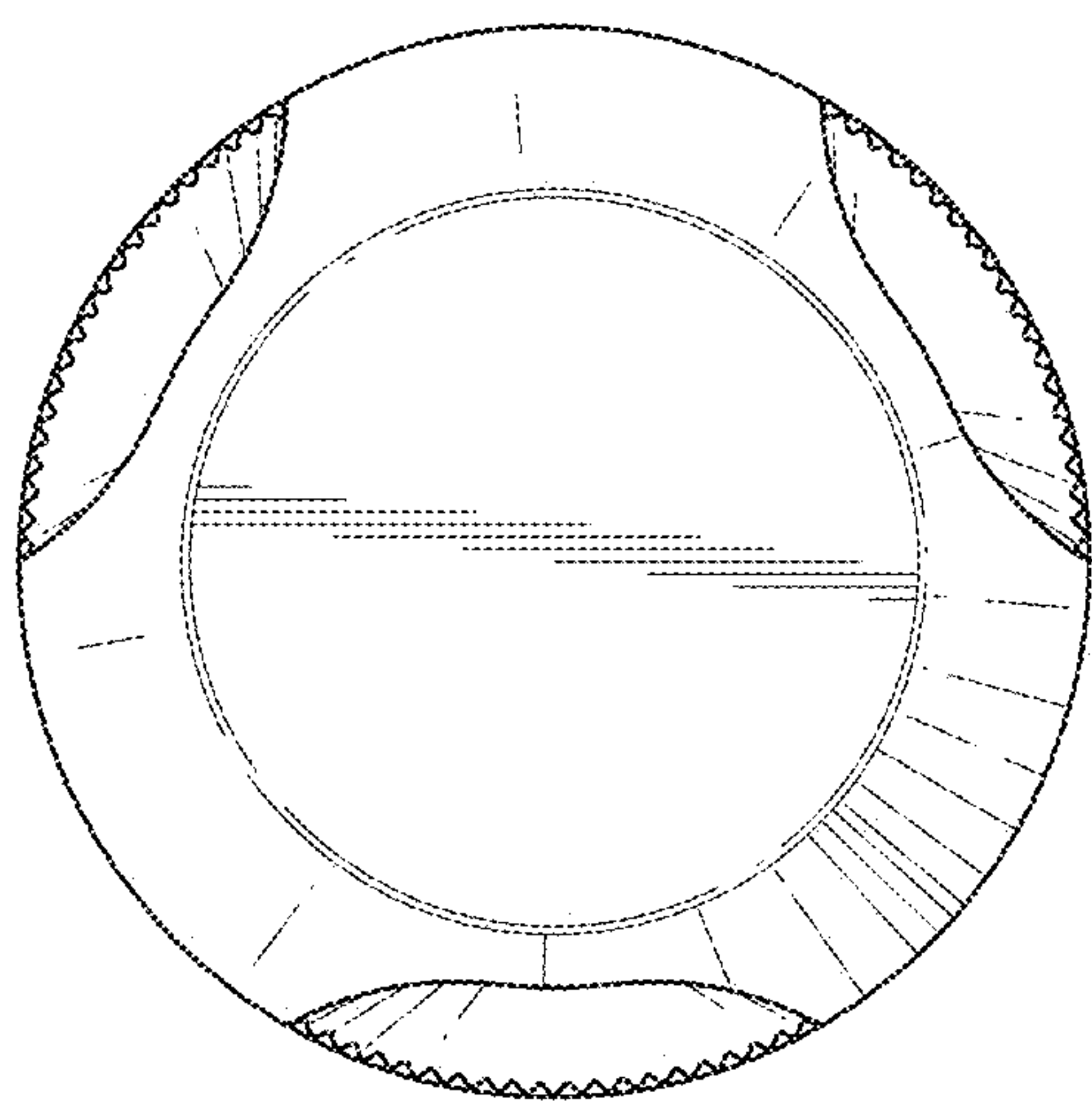
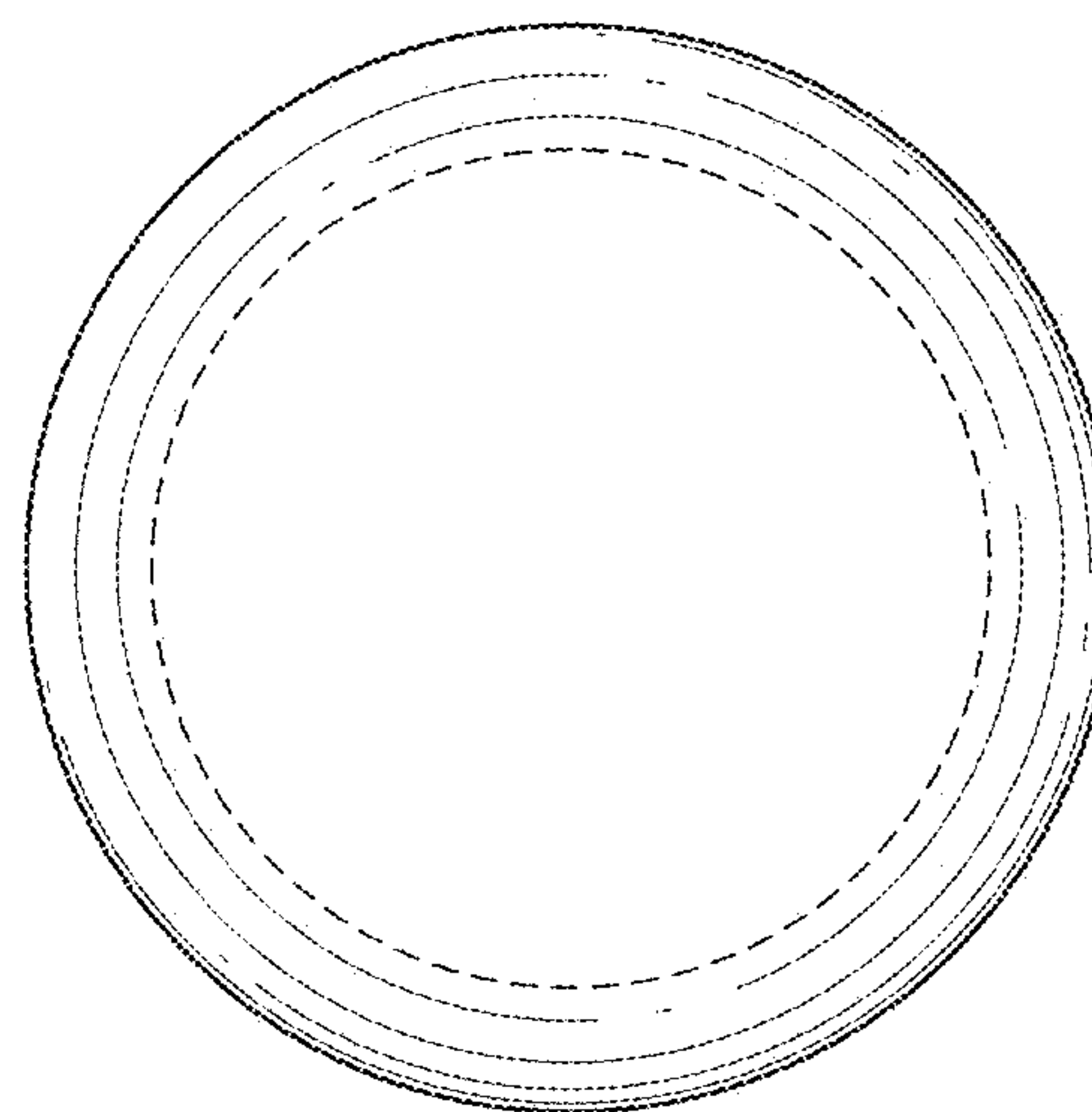


FIG. 65



*FIG. 66*



*FIG. 67*



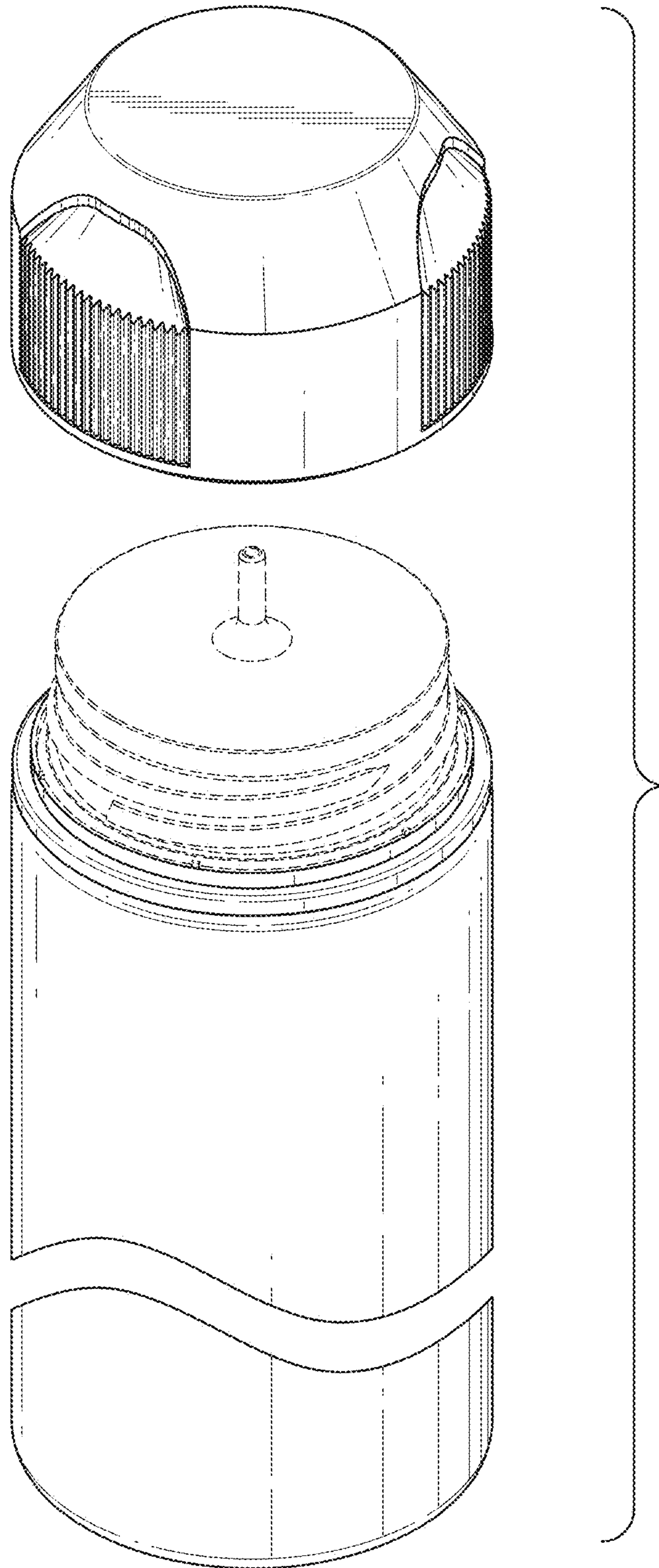


FIG. 68

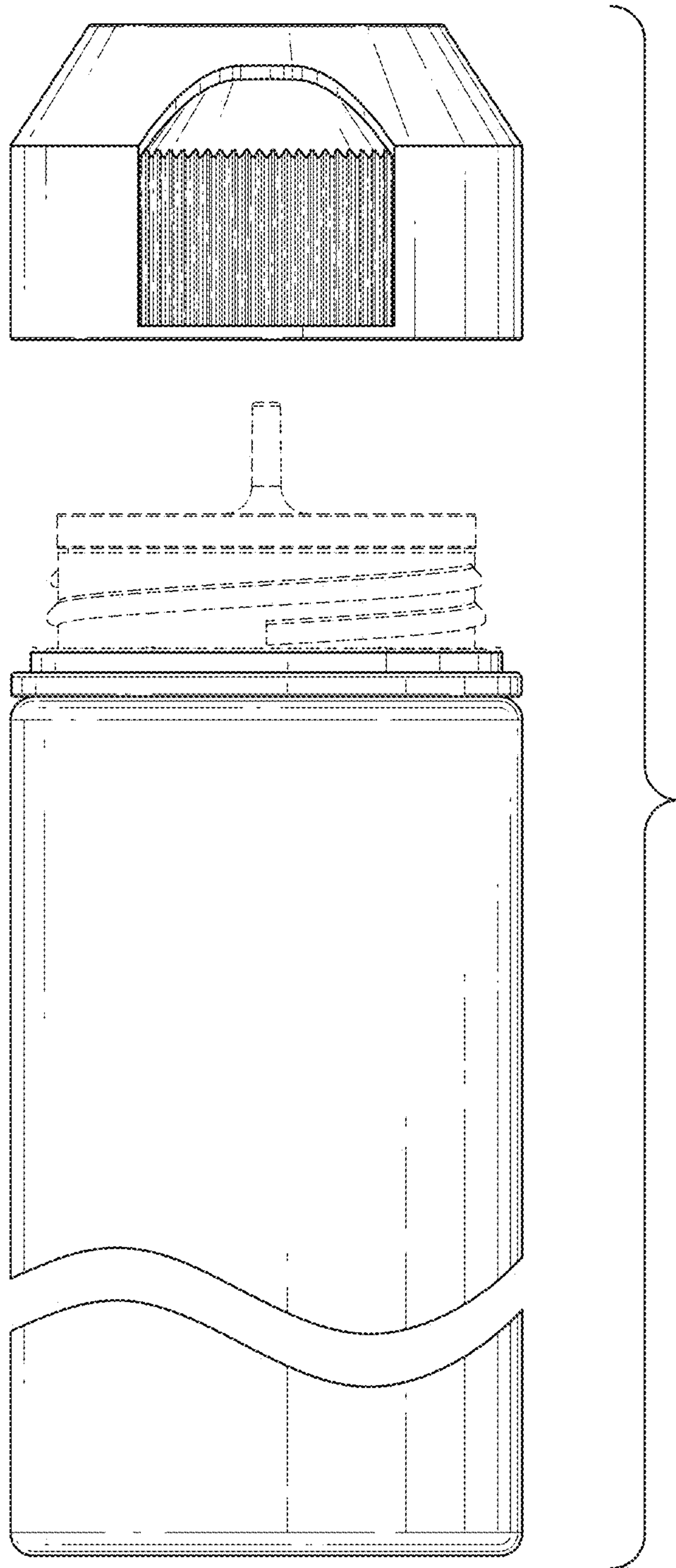
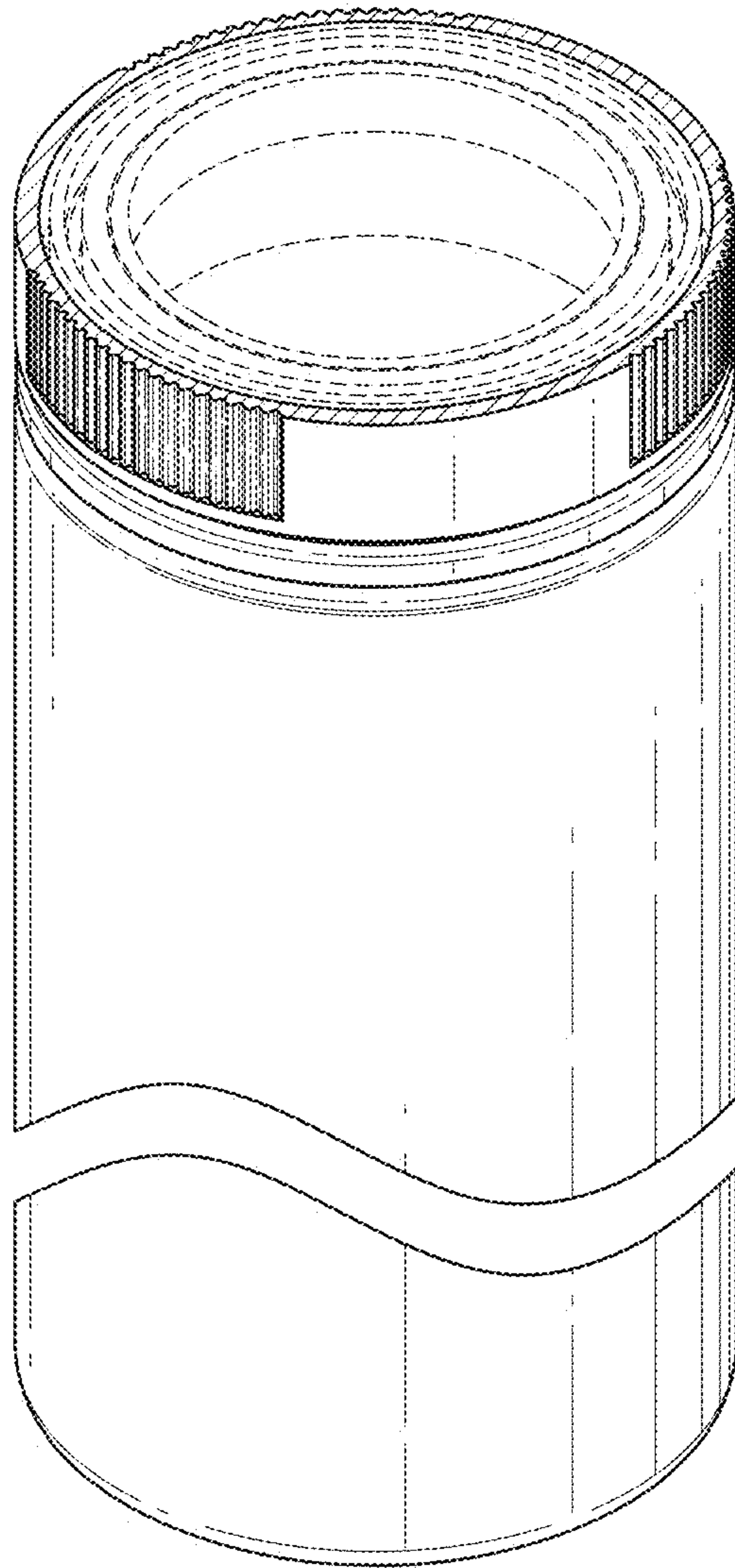


FIG. 69



*FIG. 70*