



US00D937679S

(12) **United States Design Patent** (10) **Patent No.:** **US D937,679 S**
Severn et al. (45) **Date of Patent:** **** Dec. 7, 2021**

- (54) **BOTTLE**
- (71) Applicant: **Niagara Bottling, LLC**, Diamond Bar, CA (US)
- (72) Inventors: **Taylor Russell Severn**, Pasadena, CA (US); **Ahmed Tasnub Takaddus**, Chino Hills, CA (US); **Naser Imran Hossain**, Fullerton, CA (US)
- (73) Assignee: **Niagara Bottling, LLC**, Diamond Bar, CA (US)
- (**) Term: **15 Years**
- (21) Appl. No.: **29/727,516**
- (22) Filed: **Mar. 11, 2020**
- (51) **LOC (13) Cl.** **09-01**
- (52) **U.S. Cl.**
USPC **D9/500; D9/516**
- (58) **Field of Classification Search**
USPC D9/500-505, 519, 521, 529, 537, D9/544-546, 549, 550, 556, 573-575, D9/682, 688, 690, 767, 772, 777, 783, D9/689, 520, 551, 552, 558, 557; D28/7, D28/85; D7/509-511, 523
CPC B21D 51/26; B21D 51/2615; B21D 22/28; B65D 1/0246; B65D 41/04; F25D 3/08
See application file for complete search history.

(56) **References Cited**

U.S. PATENT DOCUMENTS

- D222,529 S * 11/1971 Turner D9/500
- D403,963 S * 1/1999 Ramsey D9/503
- D404,254 S * 1/1999 Asberg D7/511
- D404,970 S * 2/1999 Asberg D7/511
- D528,422 S 9/2006 Darr et al.
- D543,846 S * 6/2007 Kitamura D9/500
- D609,570 S * 2/2010 Suchenski D9/500
- 7,699,182 B2 4/2010 Yourist

- D620,799 S * 8/2010 Wingfiled D9/503
- D640,559 S * 6/2011 Llerena D9/500
- D654,362 S * 2/2012 Weber-Trinkfass D9/503
- D655,167 S * 3/2012 Weber-Trinkfass D9/503
- D664,852 S * 8/2012 Weber-Trinkfass D9/503
- D691,479 S * 10/2013 Bea D9/503
- D697,406 S * 1/2014 Peacock D9/500
- D699,108 S * 2/2014 Cox D9/500
- D699,109 S * 2/2014 Cox D9/500
- D699,113 S 2/2014 Haner et al.
- D700,517 S * 3/2014 Oommen D9/500
- D703,048 S * 4/2014 Lopez D9/500

(Continued)

FOREIGN PATENT DOCUMENTS

- CN 203419331 2/2014
- CN 303048316 12/2014

(Continued)

Primary Examiner — Brett Miller
Assistant Examiner — Rani J Abdallah
 (74) *Attorney, Agent, or Firm* — Michael Best & Friedrich LLP

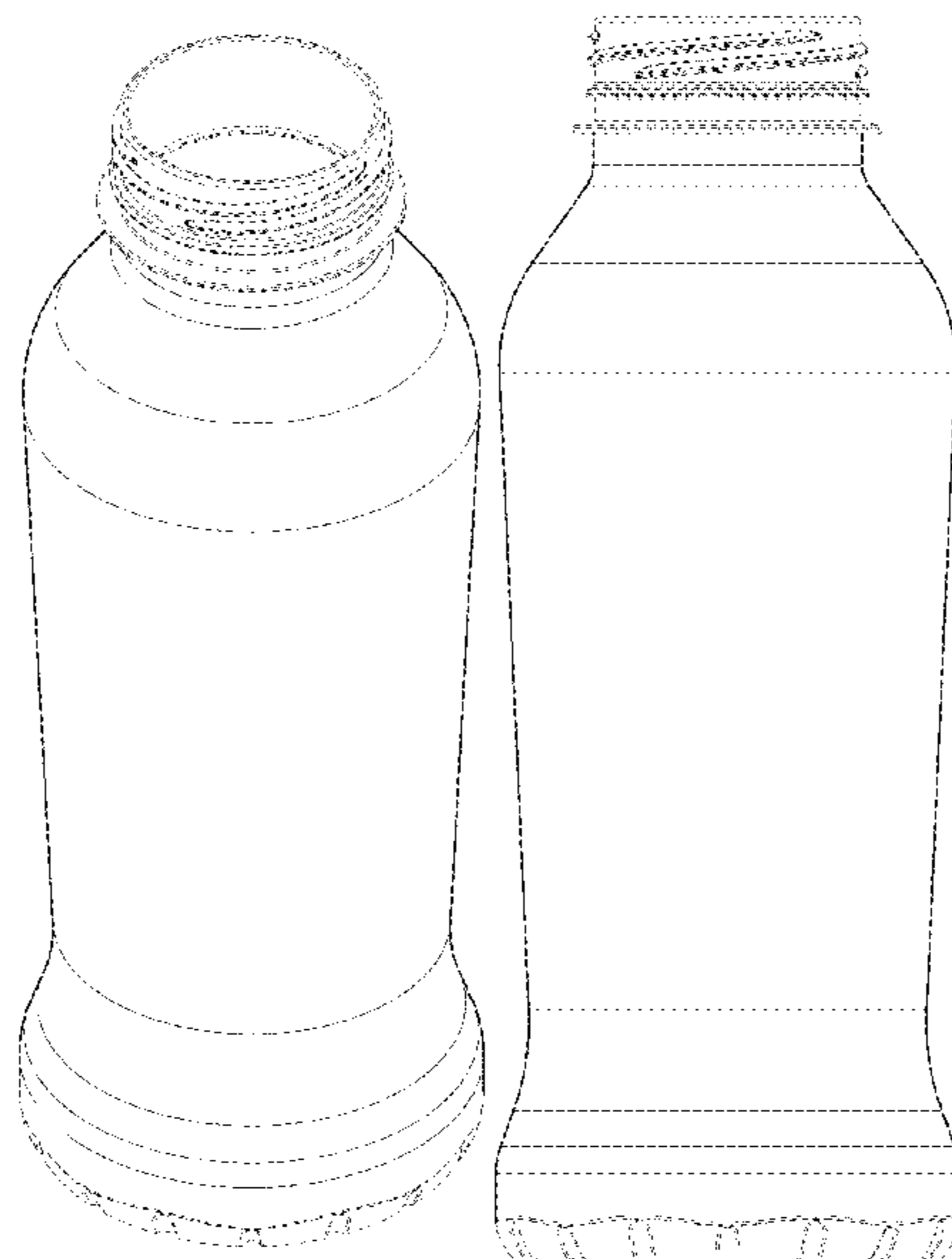
(57) **CLAIM**

The ornamental design for a bottle, as shown and described.

DESCRIPTION

FIG. 1 is an angled front and top perspective view of a bottle, according to one embodiment of our new design; FIG. 2 is an angled front and bottom view thereof; FIG. 3 is a front view thereof; FIG. 4 is a rear view thereof; FIG. 5 is a left side view thereof; FIG. 6 is a right side view thereof; FIG. 7 is a top view thereof; and, FIG. 8 is a bottom view thereof. Broken lines are used to illustrate features of the bottle that form no part of the claimed design.

1 Claim, 7 Drawing Sheets



(56)

References Cited

U.S. PATENT DOCUMENTS

D703,538 S * 4/2014 Paredes D9/500
 D726,539 S * 4/2015 Paredes D9/500
 D740,609 S * 10/2015 Ayres D7/523
 D752,440 S * 3/2016 Fleischhacker D9/500
 9,327,861 B2 5/2016 Haner et al.
 9,422,076 B2 8/2016 Lane et al.
 D801,814 S 11/2017 Liu et al.
 D807,179 S * 1/2018 Herbst D9/500
 D808,808 S * 1/2018 Fux D9/500
 D818,825 S * 5/2018 Paredes D9/500
 D821,874 S * 7/2018 Rajesh D9/500
 D841,475 S * 2/2019 Landis D9/500
 D856,809 S 8/2019 Gruda
 D858,198 S * 9/2019 Hsu D7/511
 D874,281 S * 2/2020 Paredes D9/500
 D888,558 S * 6/2020 Harris D9/500
 D888,559 S * 6/2020 Harris D9/500
 D888,560 S * 6/2020 Harris D9/500

D888,563 S * 6/2020 Smith D9/500
 D891,184 S * 7/2020 Ayres D7/523
 D892,619 S * 8/2020 Kaye D9/500
 D892,620 S * 8/2020 Kaye D9/500
 D902,720 S * 11/2020 Kaye D9/500
 2011/0174765 A1 7/2011 Patel et al.

FOREIGN PATENT DOCUMENTS

CN 304384726 * 12/2017
 CN 305444974 11/2019
 EM 004032365-0013 7/2017
 EM 005631314-0005 * 9/2018
 EM 007654801-0004 * 12/2020
 EP 1043236 12/2004
 JP D 1252705 10/2005
 JP 2015231871 12/2015
 JP D 1568170 1/2017
 MY 17-E0062-0101 8/2018

* cited by examiner

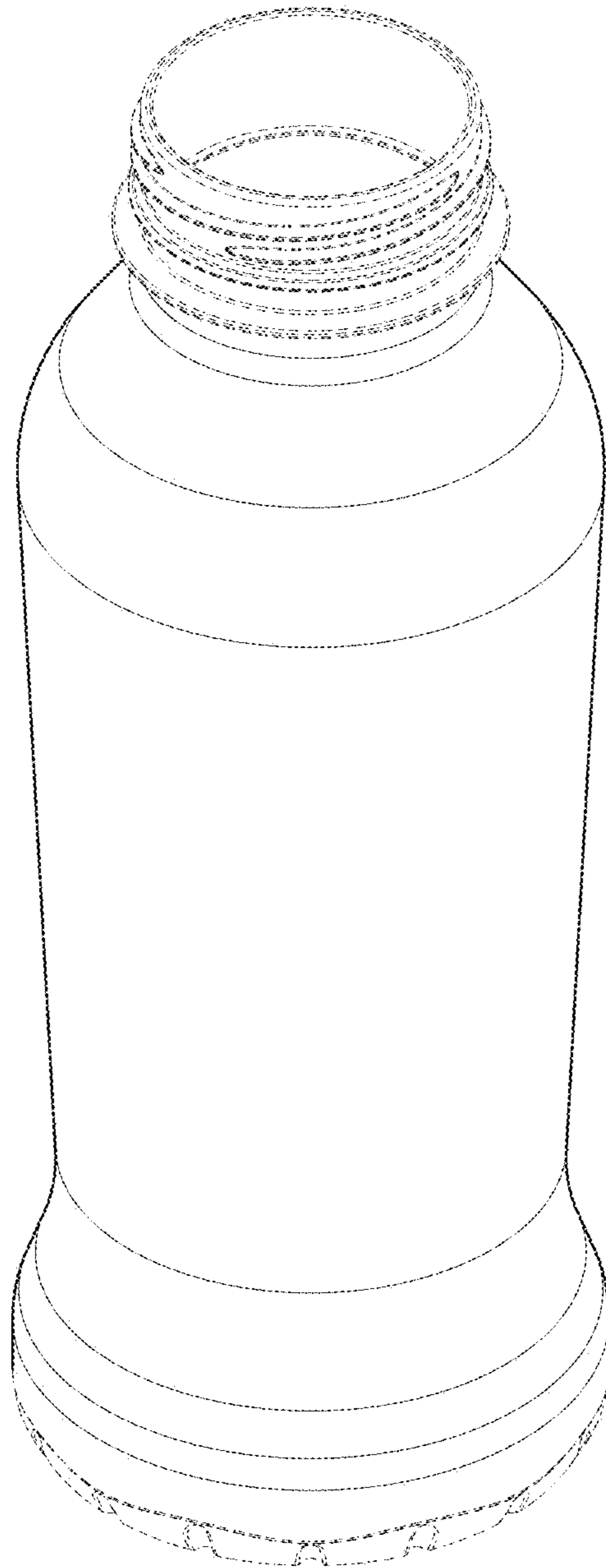


FIG. 1

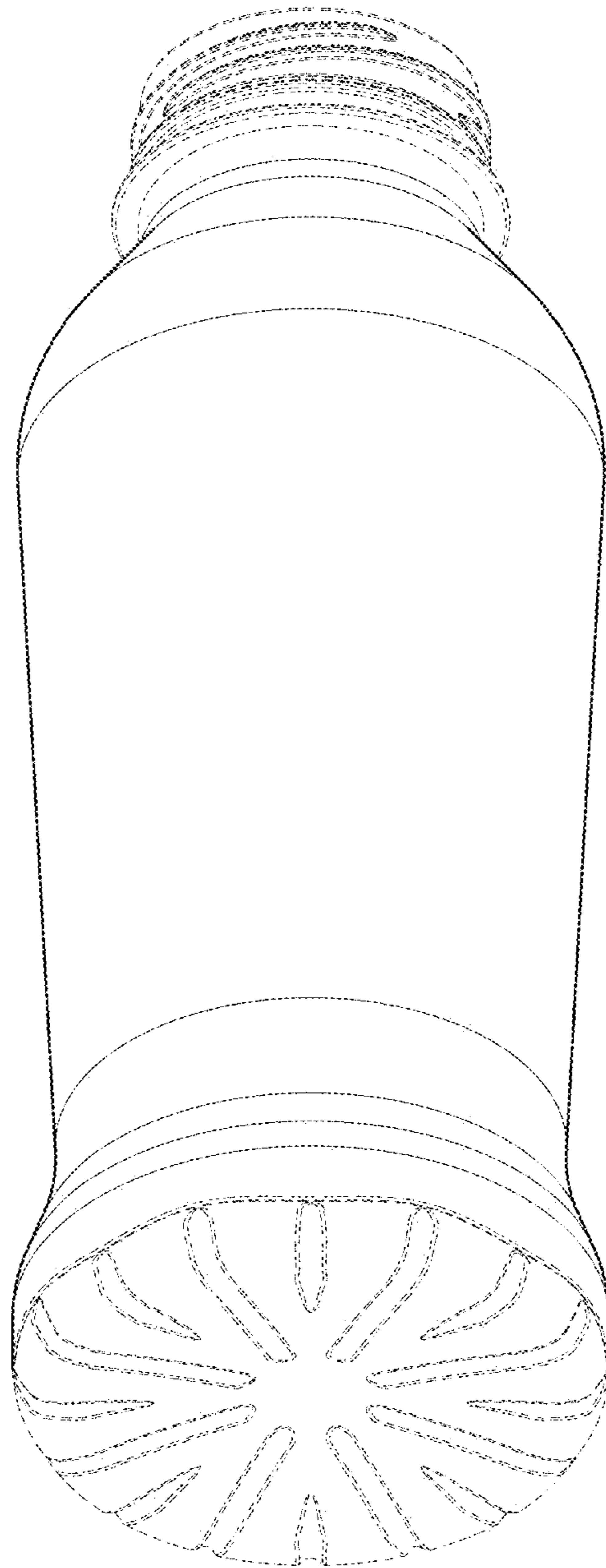


FIG. 2

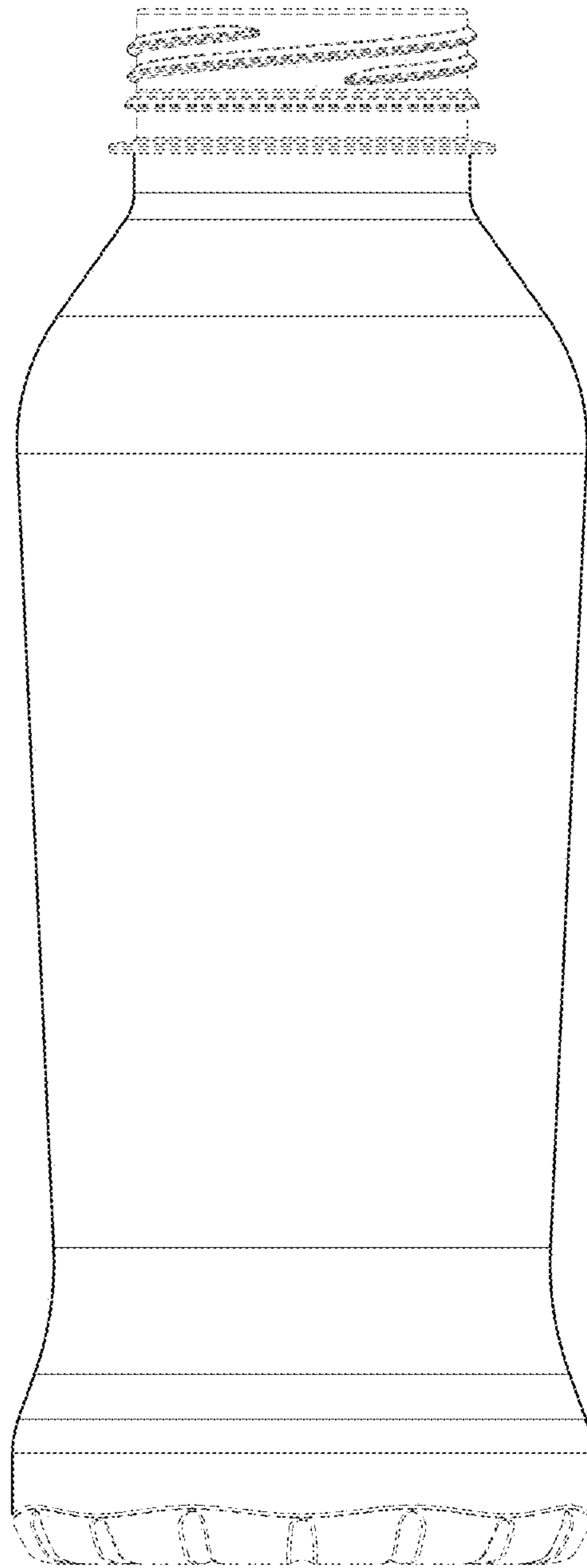


FIG. 3

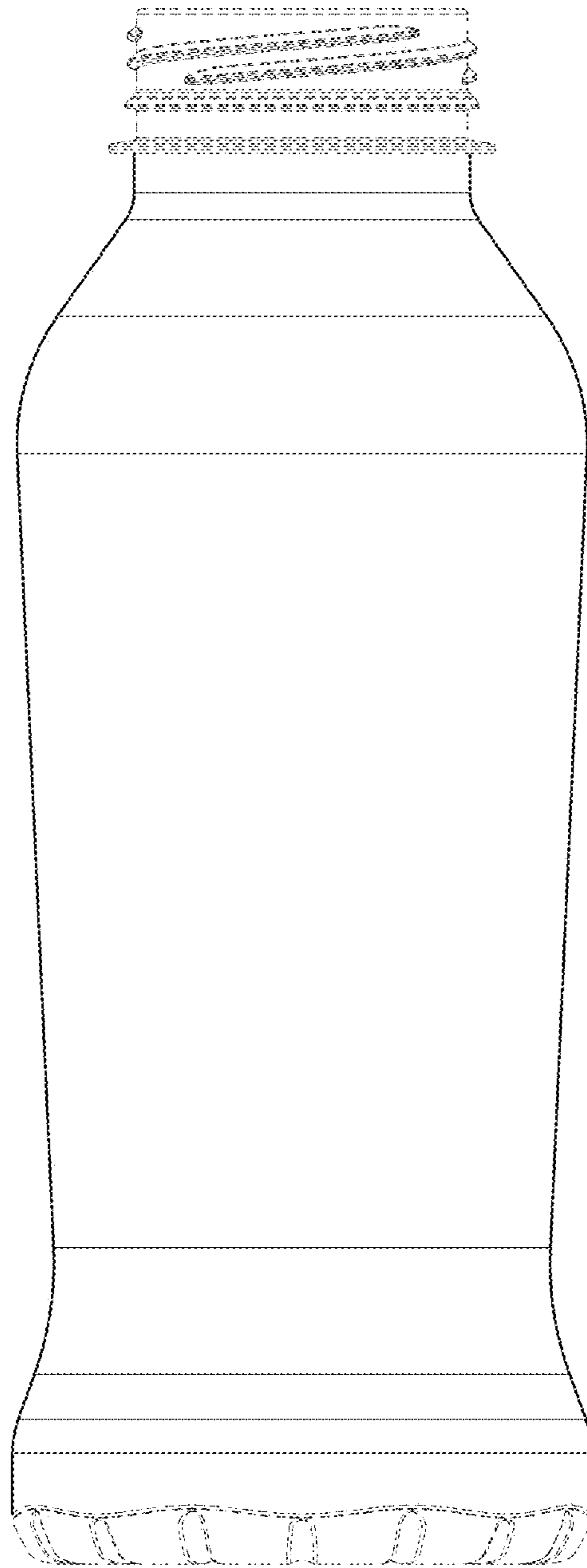


FIG. 4

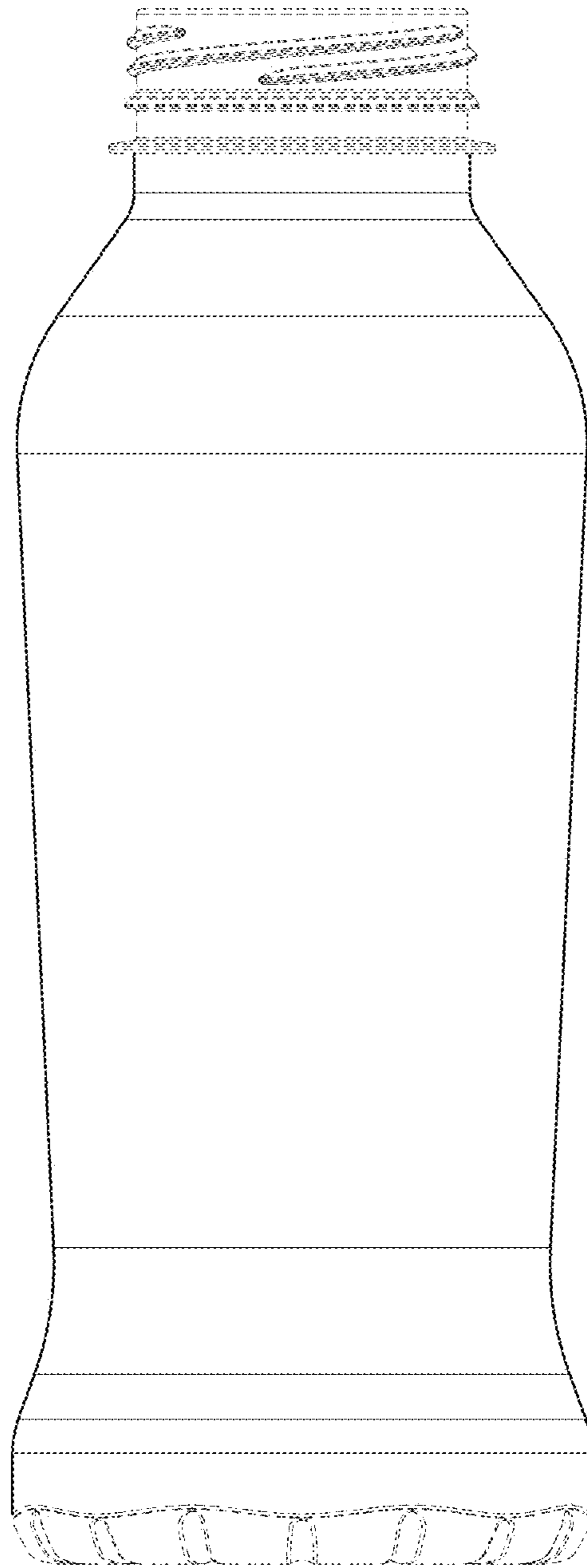


FIG. 5

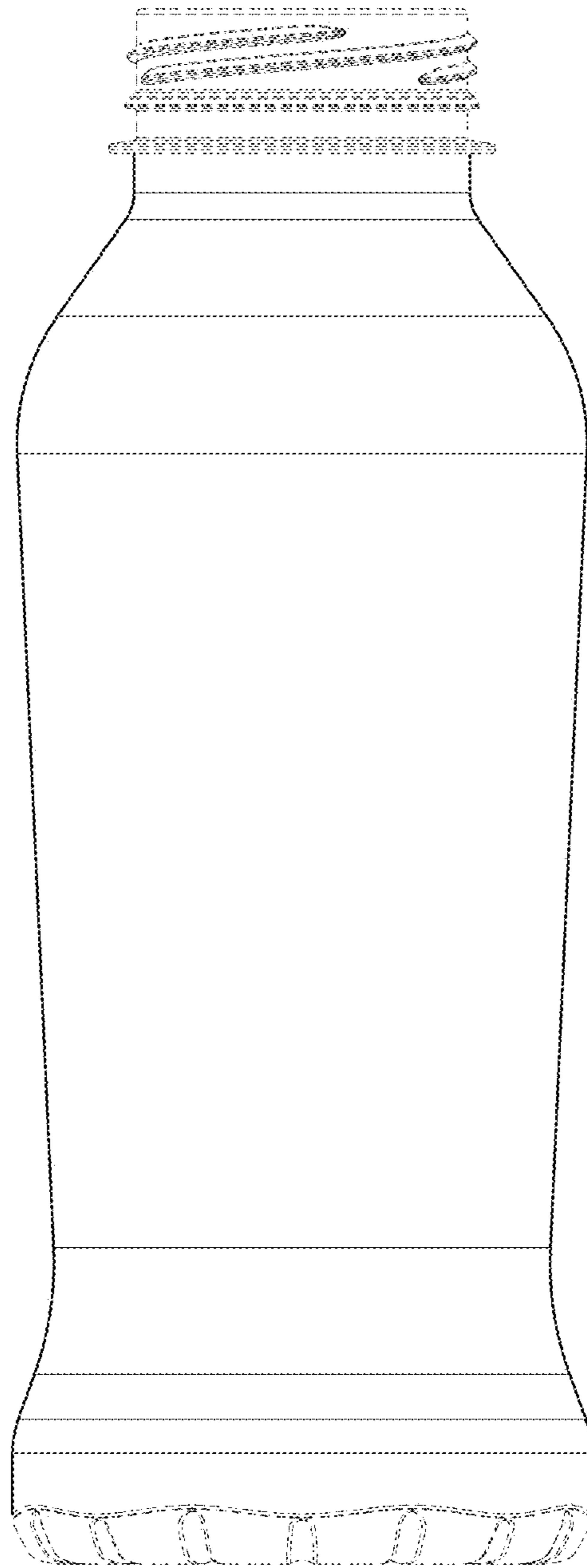


FIG. 6

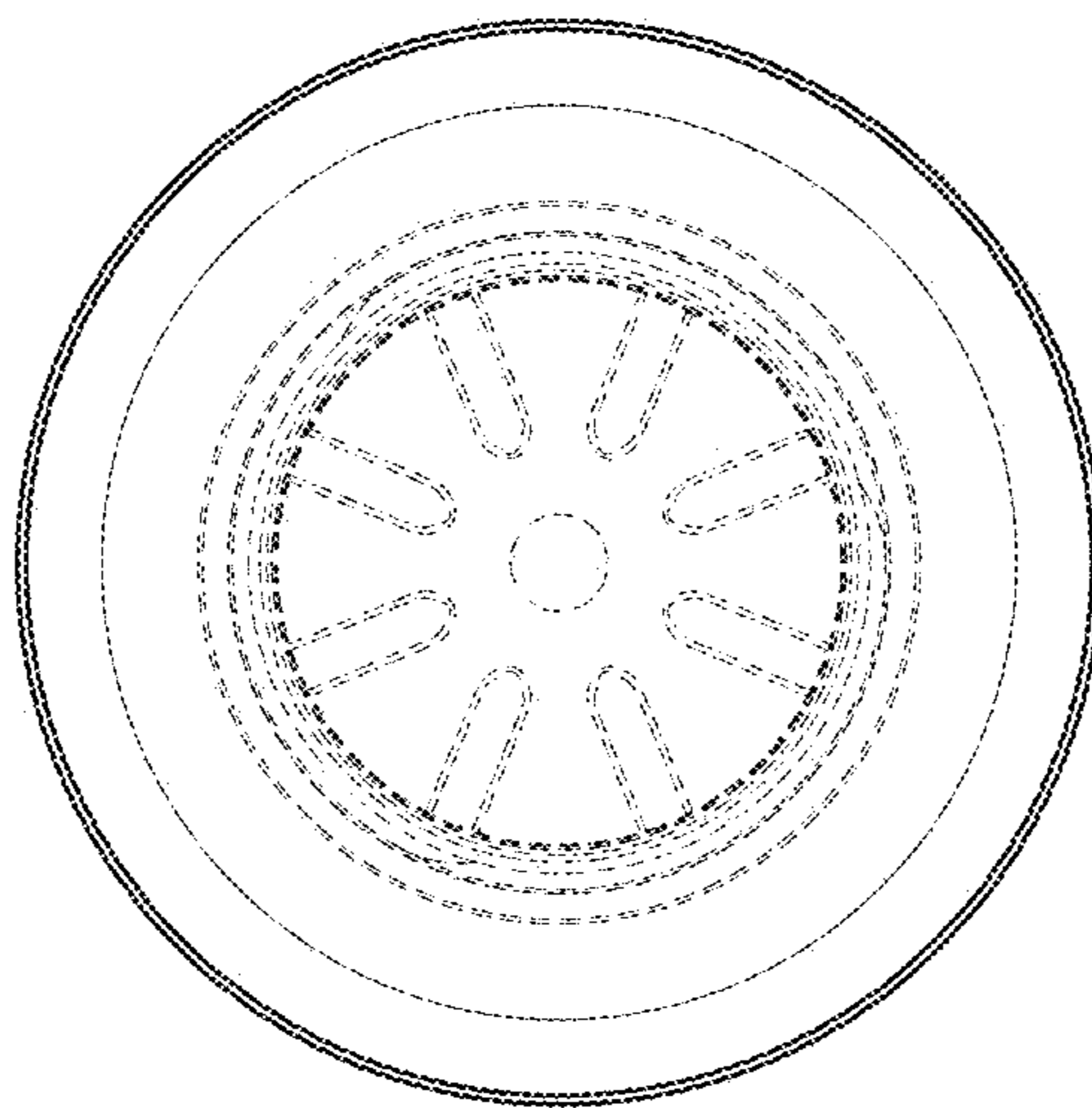


FIG. 7

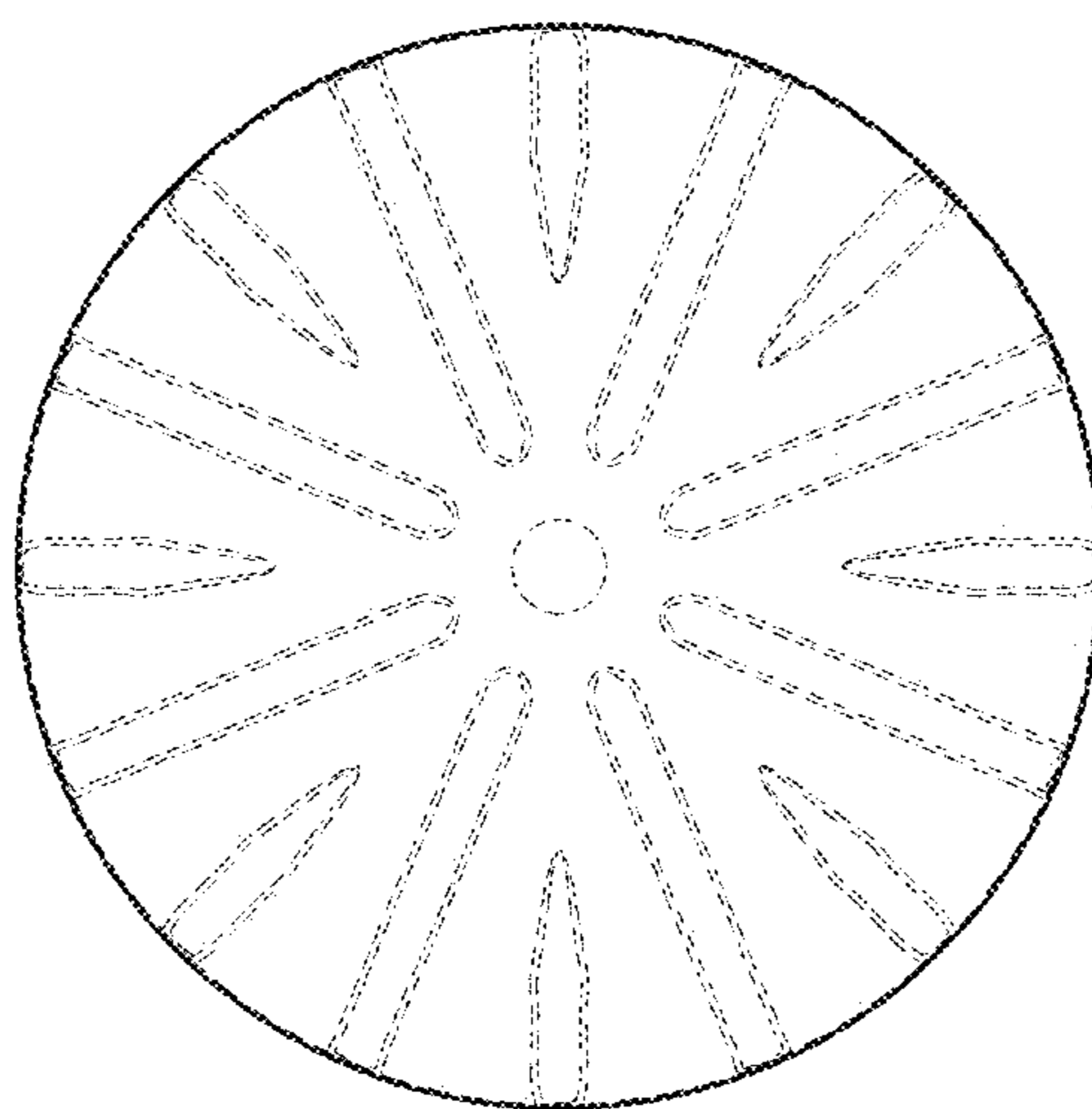


FIG. 8

UNITED STATES PATENT AND TRADEMARK OFFICE
CERTIFICATE OF CORRECTION

PATENT NO. : D937,679 S
APPLICATION NO. : 29/727516
DATED : December 7, 2021
INVENTOR(S) : Severn et al.

Page 1 of 1

It is certified that error appears in the above-identified patent and that said Letters Patent is hereby corrected as shown below:

On the Title Page

Item (72) should read:

(72) Inventors: Taylor Russell Severn, Pasadena, CA (US); Ahmed Tasnub Takaddus, Chino Hills, CA (US); Naser Imran Hossain, Fullerton, CA (US); Abhishek Shukla, Chino Hills, CA (US)

Signed and Sealed this
Thirteenth Day of June, 2023
Katherine Kelly Vidal

Katherine Kelly Vidal
Director of the United States Patent and Trademark Office